



solo per professionisti

Sirman Spa  
 Viale dell'Industria 9/11  
 35010 PIEVE DI CURTAROLO (PD), Italy  
 Tel./Fax. +39 049 9698666 / +39 049 9698688  
 email: info@sirman.com

Sirman Rolling Machines , model P-roll 320/1 :



- Rolling machine perfect for rolling pizzas, focacce (flat bread), bread etc.
- Rolling is done cold so as not to alter the properties of the dough
- The thickness and diameter of the dough can be easily adjusted according to the user's specific needs
- AISI 304 stainless steel body
- Easy adjustable thickness by aluminium knobs
- Heavy - duty metal gears transmission
- Easy removable lower roller scrapers for cleaning

**Plus version**

- Easy removable upper roller scraper for cleaning
- Easy detachable plexi roller protections, provided with micro switch
- Easy detachable ceramic slide for efficient and fast cleanability
- Stainless steel IP 67 controls with NVR

Optional:

- Pedal arrangement



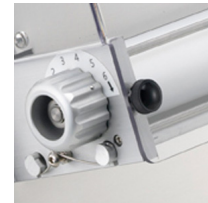
Optional pedal control



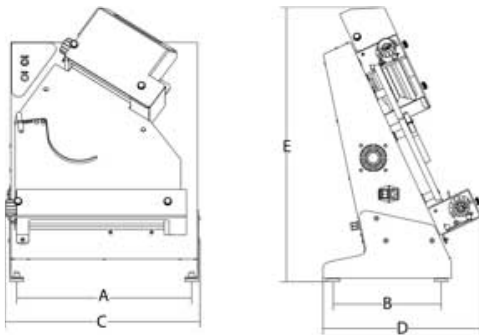
P-Roll 320/1 Plus



P-Roll 320/1 Plus



Data sheet



Technical data

Model	P-Roll 320/1
Power	watt 240 - Hp 0,33
Power source	1ph
Roller dimensions	mm 320
Dough weight	gr 80-210
A	mm 411
B	mm 315
C	mm 470
D	mm 463
E	mm 390
Net weight	kg 29
Shipping	mm 750x400x510
Gross weight	kg 32
HS-CODE	84385000