

VingCard Essence Electronic Lock

VingCard Essence revolutionizes the electronic lock industry by housing all lock components, including the reader and mobile access board, inside the door and therefore, reaching the maximum minimalistic expression, the true essence of an electronic lock.

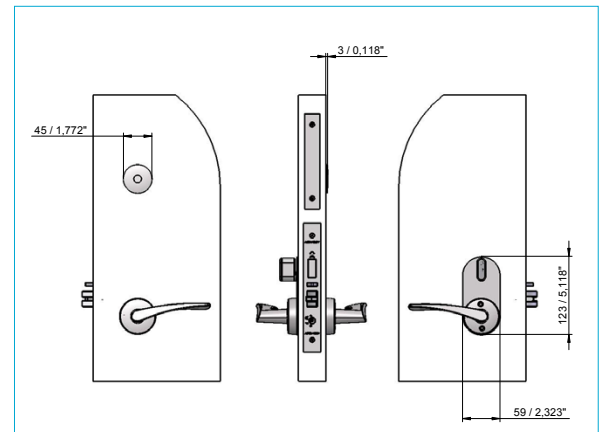
VingCard Essence is always delivered as Mobile Access ready. With Mobile Access board included inside the reader, your property is ready for using the mobile phone as guest room key whenever required.

FEATURES

- : Solid Stainless Steel or brass handles with self-lubricating long life bearings.
- : 3-point steel latch construction with an antifriction mechanism.
- : Case hardened full 1-inch (ANSI) throw deadbolt.
- : Panic release function – the deadbolt and latch are automatically retracted by inside handle for easy egress in emergency situations.
- : ADA compliant (users with physical disabilities).
- : Future proof re-programmable FLASH lock memory.
- : Powered by three (3) AA batteries that provide up to 2 years normal life (depending on door traffic and online/mobile access functionality).
- : Compatible with Visionline Software platform.
- : 2000 event audit trail.
- : Optional high security mechanical override (key cylinder).
- : Mobile Access board included in reader.
- : RFID Specifications:
 - 13,56MHz technology
 - compatible with the following standards:
 - ISO 14.443 A (MIFARE including Desfire)
 - ISO 14.443 B
 - ISO 15.693



DIMENSIONS



ASSA ABLOY

ASSA ABLOY Hospitality

The global leader in
door opening solutions

TECHNICAL DATA

Power	4,5 V DC (3 x AA alkaline batteries).
Battery location	Inside of the door in electronics module.
Material	Handles: Stainless steel quality SUS304 RFID cover: Polycarbonate UL94V0 (Makrolon 6555).
Metal finishes	Satin Chrome (Stainless Steel with PVD), Polished Chrome (Stainless Steel with PVD), Satin Brass (Stainless Steel with PVD), Polished Brass (Stainless Steel with PVD), Light Bronze, Velour Nickel and US Antique Dark.
Standard plastic color	Black and white.
Handle options in standard range	Straight, Functional ANSI, Wing. Also compatible with 20 different Valli&Valli design handles.
Emergency opening options	Electronic emergency opening with service unit and optional mechanical cylinder.
User interface	3 colored light pipe shaped as ring around the reader (green, red, yellow).
Locking mechanism	Electro-mechanical locking mechanism located in the lockcase.
Door thickness	34 - 120 mm / 1,34 - 4,72 Inches.
System software compatibility	Visionline.
Online compatibility	Wireless (based on ZigBee protocol) in Visionline.
Storage temperature	0-70 °C / 32-158 °F: non-condensing environment.
Tested operating temperature	Tested from -25 °C to 70 °C (-13 °F to 158 °F), according to IEC 60068-2.
Certifications	European EMC, LVD and R&TTE Directives. Approved according to EN14846. Fire approved according to EN 1634-1. Fire approved according to UL (timber doors).
Supported RFID standards	ISO 14.443 A, ISO 14.443 B, ISO 15.693
Mobile Access support	Mobile Access board included in reader unit.

LOCKCASE DIMENSIONS

ANSI lock case variants	ANSI DA, ANSI DB (both available in the following versions: 4-switch, Auto deadbolt (ADB) Australia version (AUS) and Japan (JPN) version).
ANSI lock case widths	25 mm / 0,98 inches, 28 mm / 1,10 inches, 32 mm / 1,26 inches.
ANSI backset	70 mm / 2,76 inches.
EURO lock case variants	EURO, EURO ADB, EURO MPA.
EURO lock case widths	20 mm / 0,79 inches, 22 mm / 0,87 inches, 24 mm / 0,94 inches.
EURO backsets	65 mm / 2,56 inches, 80 mm / 3,15 inches.

