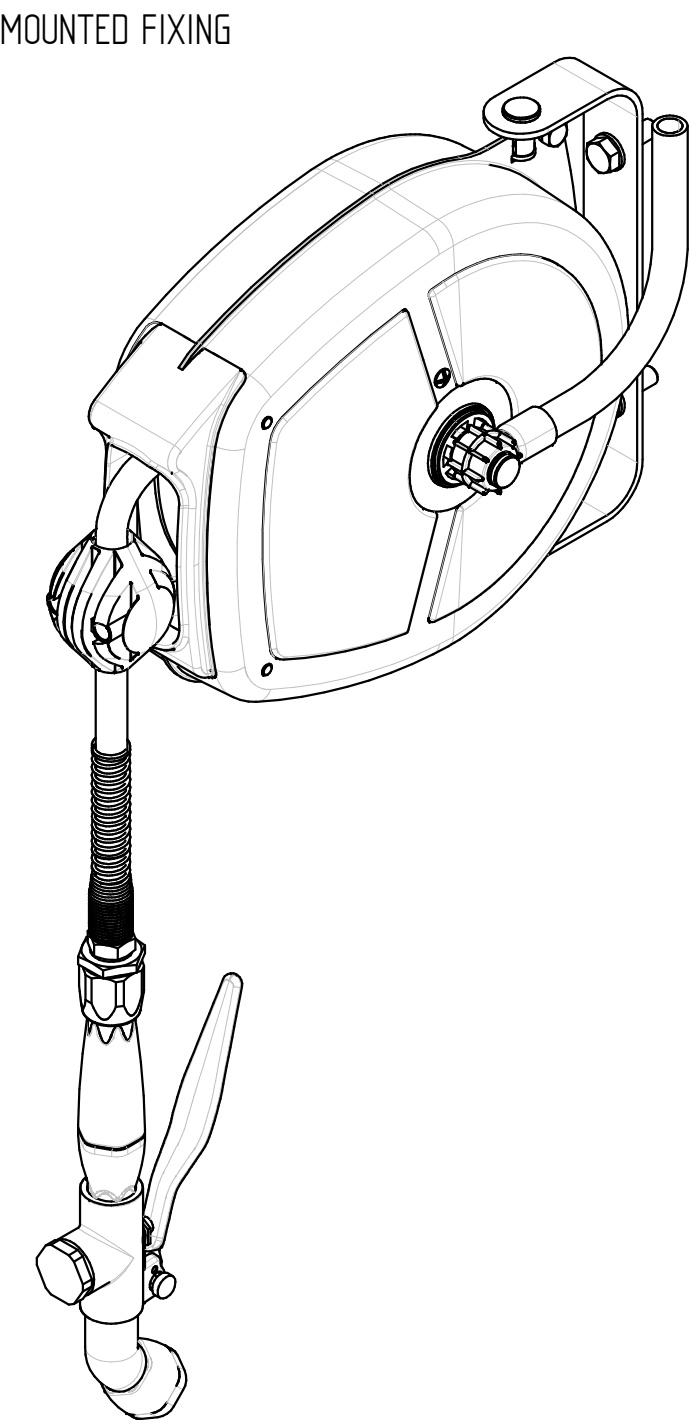
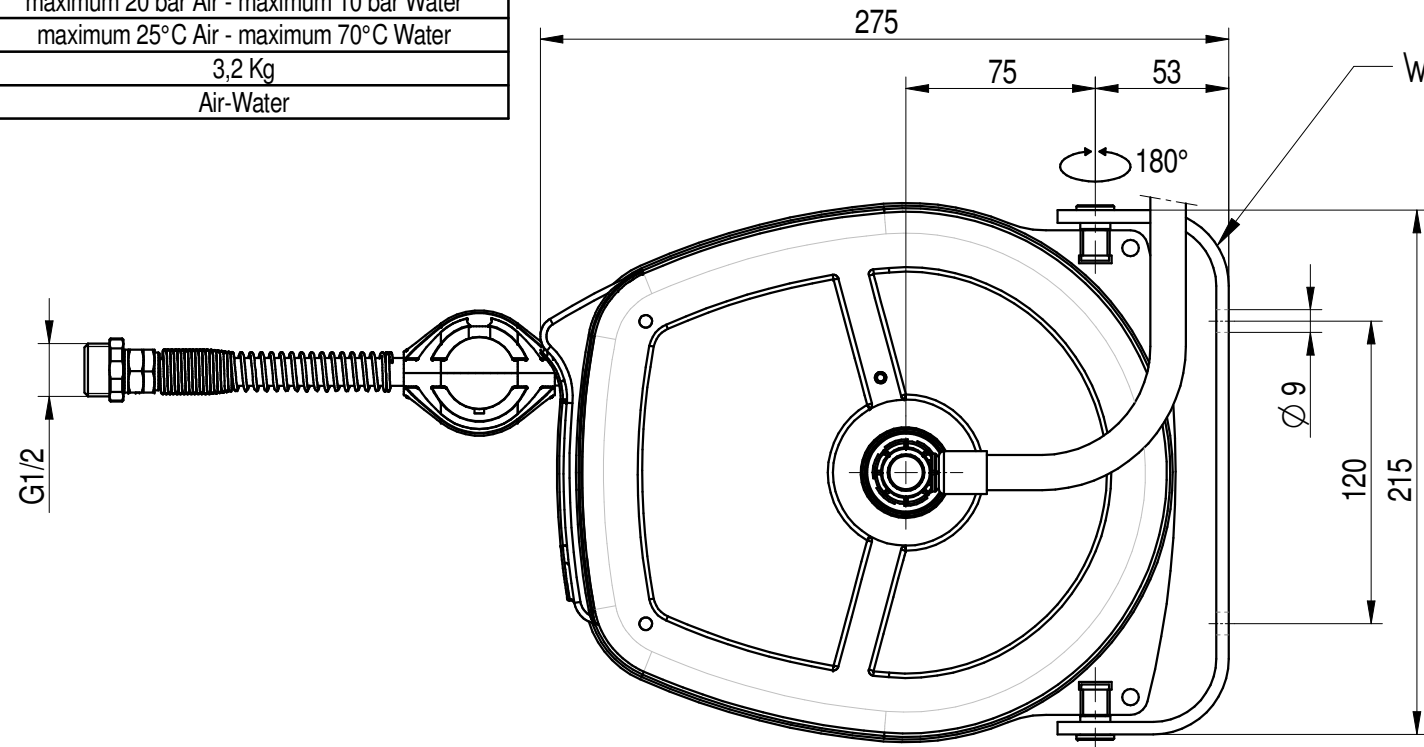
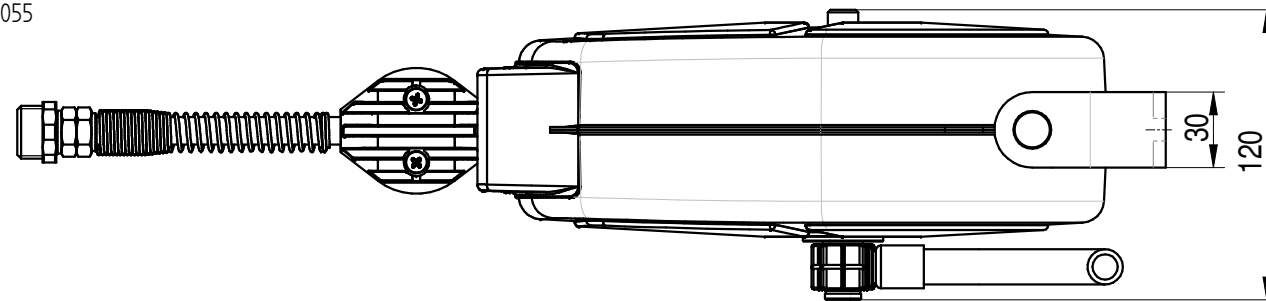


Hose lenght in meters	5 m
Maximum Working pressure	maximum 20 bar Air - maximum 10 bar Water
Maximum Working temperature	maximum 25°C Air - maximum 70°C Water
Weight	3,2 Kg
Can be used to transfer	Air-Water

SHOWER :  
 Working temperature : maximum 85°C  
 Working pressure : maximum 6 Bar



AUTOMATIC HOSE REEL  
 cod. 00803000055

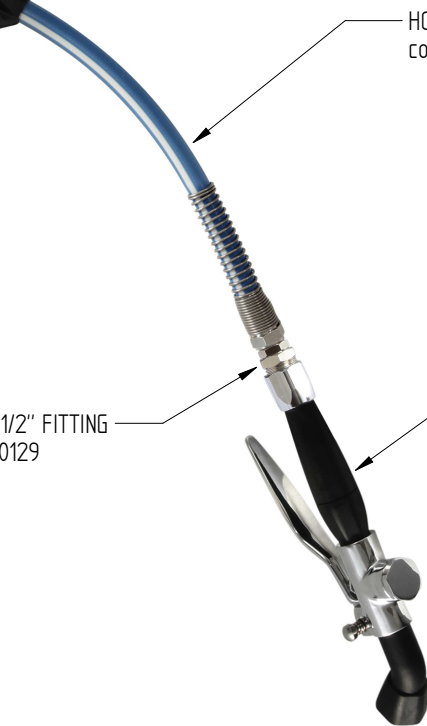


HOSE LENGHT 5m  
 cod. 00403000113



SHOWER  
 cod. 00502000005

F G1/4" - M G1/2" FITTING  
 cod. 00406000129



Shares without tolerance according to standard UNI-EN-22768-1-m		DESCRIPTION	CODE
SIZE	European Projection	WALL MOUNTED COVERED HOSE REEL L=5m AND SHOWER	SR000000017A
A3			WEIGHT
DATE	SCALE		3,2 Kg
05-11-2018	13		
DRAWN		 <b>MONOLITH</b> DESIGN AND TECHNOLOGICAL RESEARCH FOR WATER	
PICCOLO M.			
VALIDATE		VIA DELL'ARTIGIANO 8/F-8-G , 31050 MONASTIER di TREVISO (TV) tel: 0422 842157 - fax: 0422 708978	
PICCOLO M.		DONE WITH DESIGN CAD - PROHIBITED THE CHANGES MANUAL	