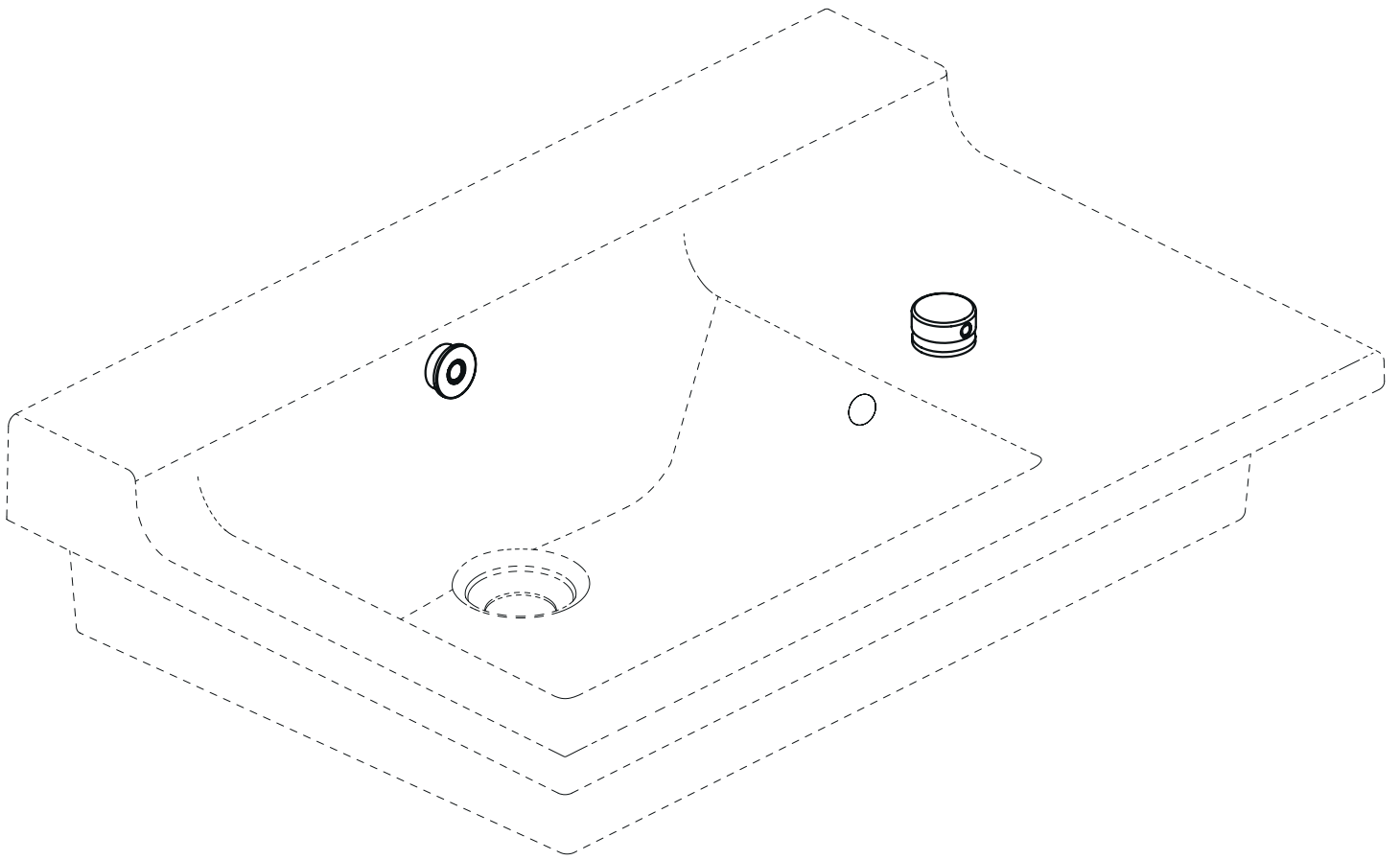
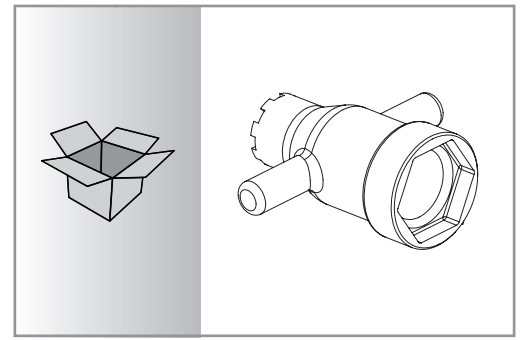
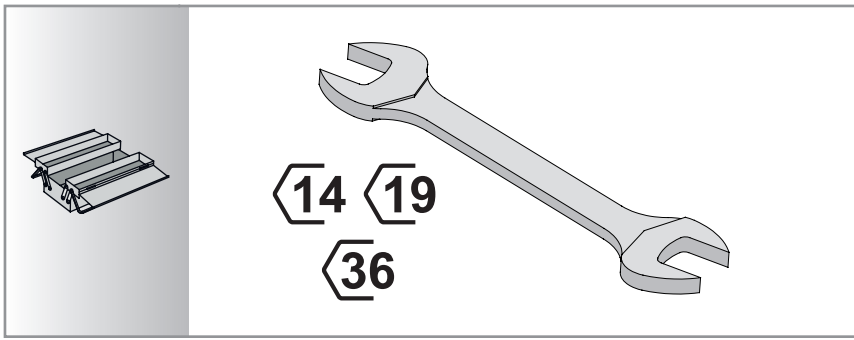


Jacob Delafon

KOHLER®

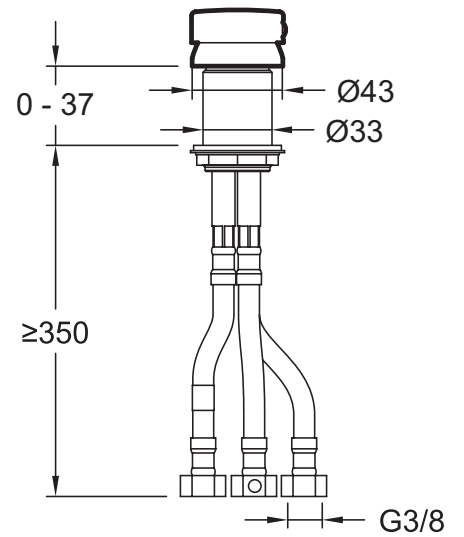
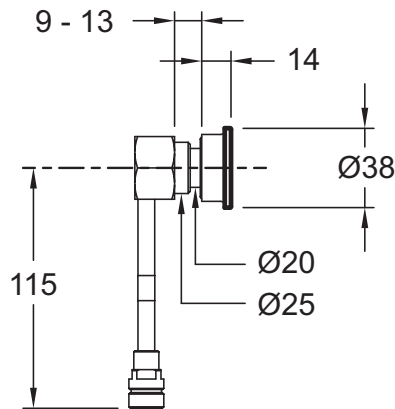
SOPRANO



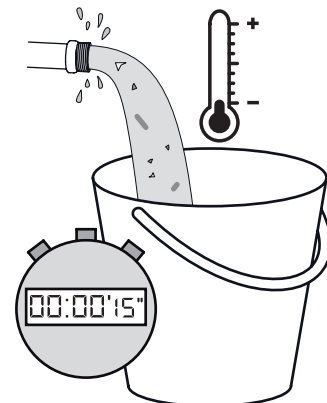


	P	Bar	1 < 3 < 6
	T	°C	55 < 60 < 65

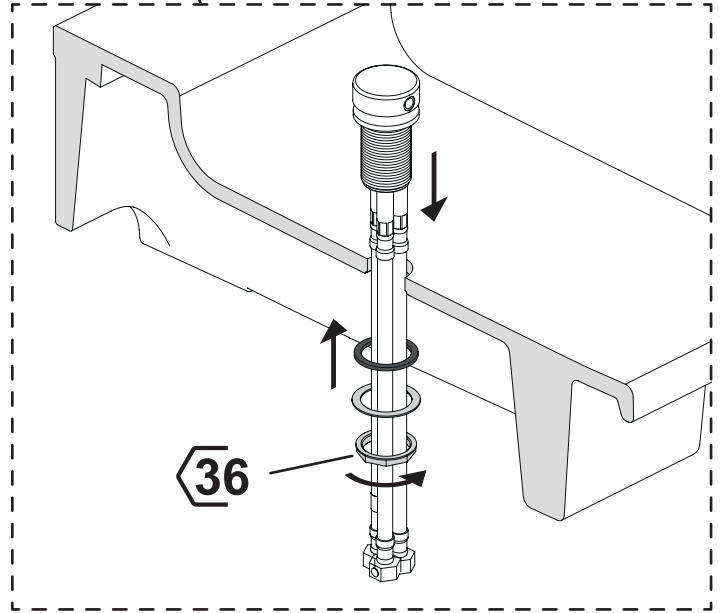
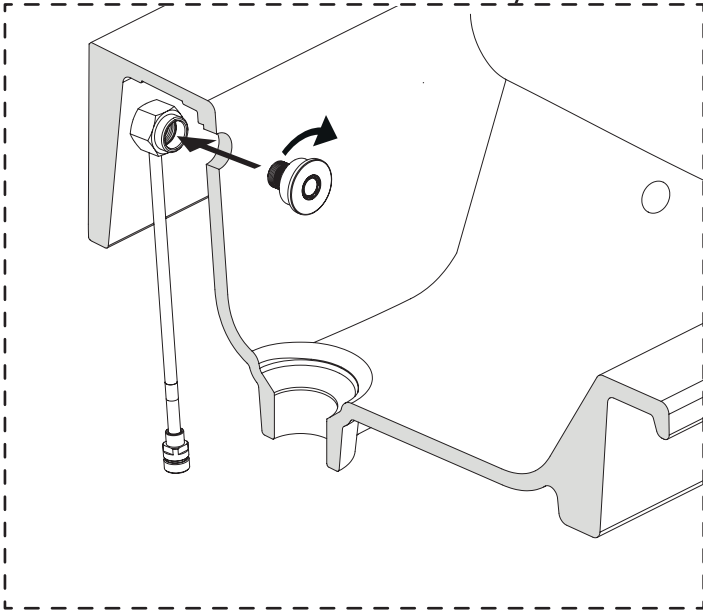
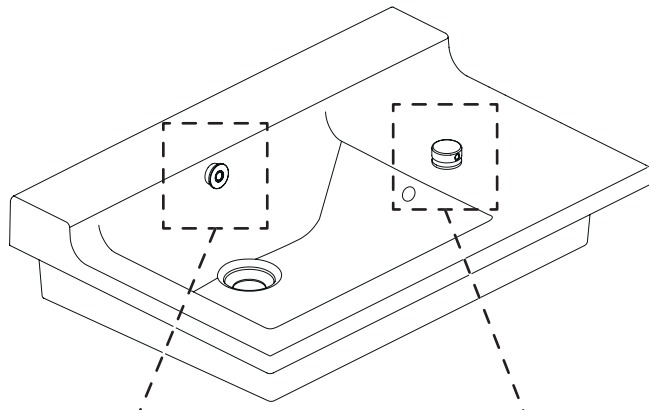
E99399-**



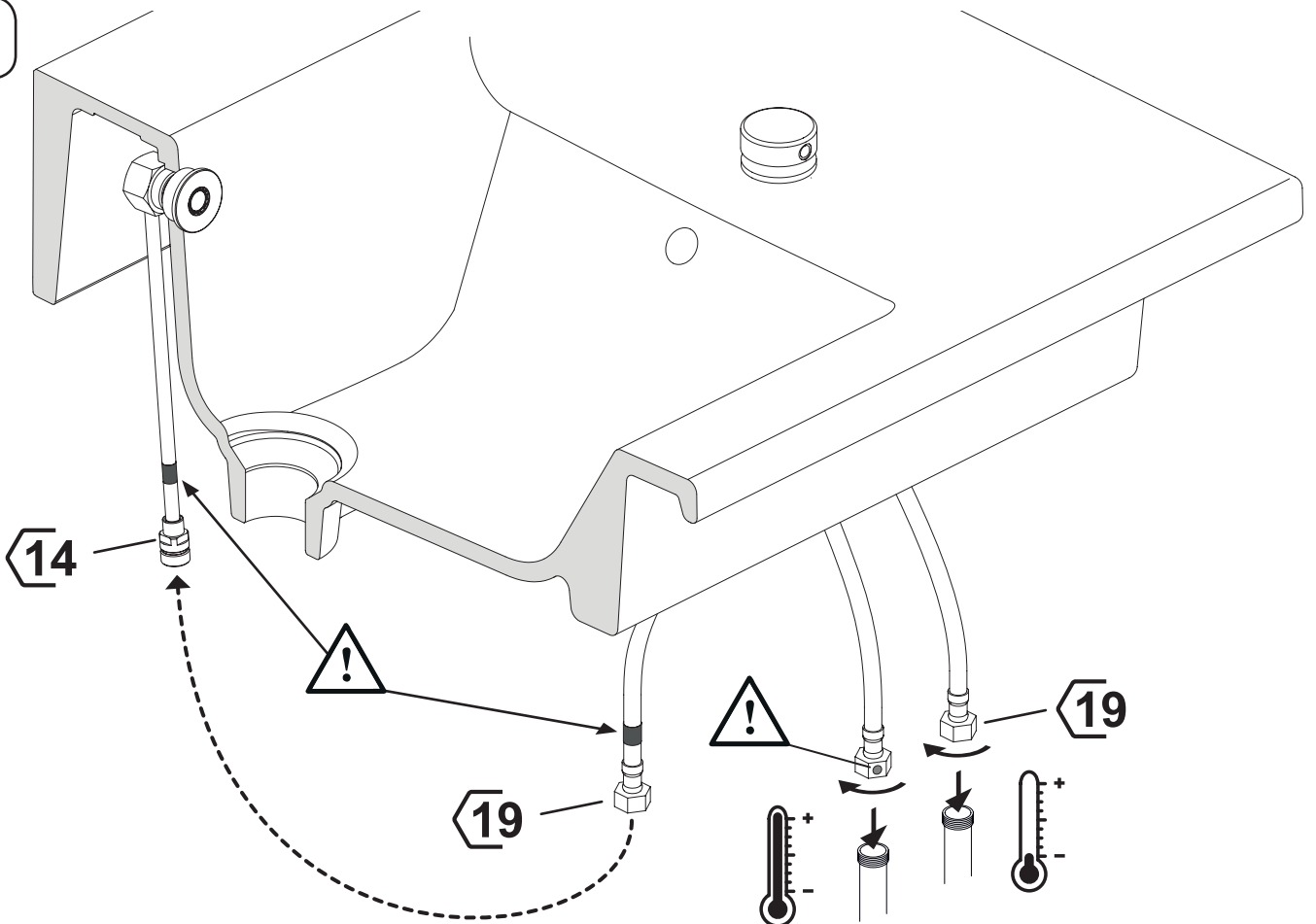
1



2



3



4

