

# SET LAUFEN PRO B

## Washbasin 81095.2



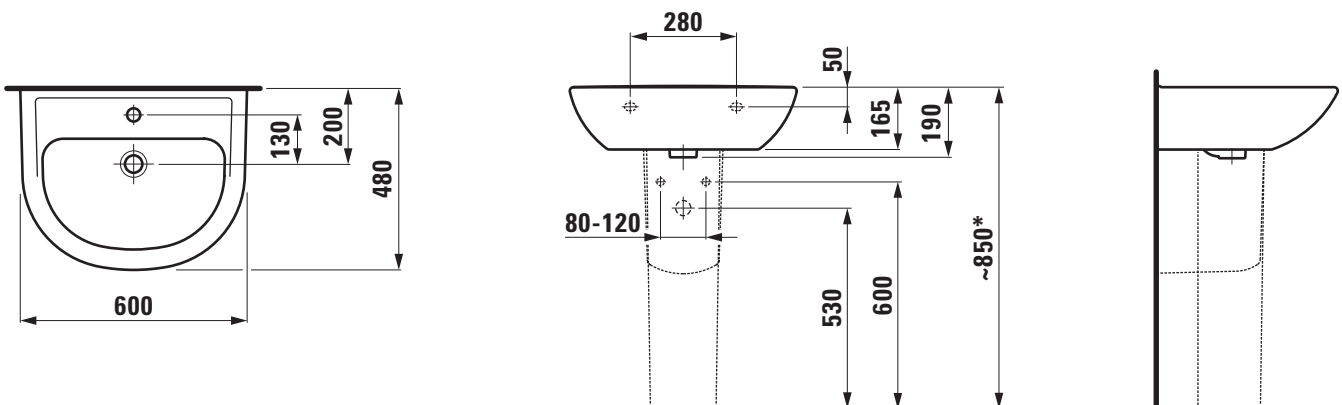
### TECHNICAL DATA

Order no.	81095.2
Certified to	EN 31
Dimensions	600 x 480 mm
Inside dimensions of the basin	500 x 295 mm
Specification	Charge 104 – 1 centre tap hole
Special specification	Charge 142 – without tap hole, without overflow and without open drain Charge 156 – 1 centre tap hole, without overflow and without open drain
Weight	15,2 kg
Accessories excl.	Siphon cover, order no. 81995.1 Pedestal, order no. 81995.0
Mounting acc. excl.	Mounting set M10 x 140 mm, order no. 89988.2
Colours	see colour table

### SPECIFICATION TEXT

Washbasin LAUFEN PRO B, sanitary ceramic  
EN 31  
dimensions 600 x 480 mm, symmetric  
1 centre tap hole  
Special feature: overflow channel glazed  
Further options / accessories: Surface refinement LCC (only white option 104), without tap hole/overflow and open drain (only white 000), 1 tap hole/without overflow and open drain (only white 000), siphon cover, pedestal, bathtubs, furniture  
Order no. 81095.2

### TECHNICAL DRAWINGS / S 1 : 20



\* = Effective height must be fixed according to the height of the pedestal.