

# SET LAUFEN PRO A

## Countertop basin

81395.8



### TECHNICAL DATA

Order no.	81395.8
Certified to	EN 31
Dimensions	1050 x 480 mm
Inside dimensions of the basin	590 x 310 mm
Specification	Charge 104 – 1 centre tap hole
Weight	28,0 kg
Accessories excl.	Siphon cover, order no. 81995.1 Pedestal, order no. 81995.0 Washbasin base, order no. 89095.8
Mounting acc. excl.	Mounting set M10 x 140 mm, order no. 89988.2
Colours	see colour table

### SPECIFICATION TEXT

Countertop basin LAUFEN PRO A, sanitary ceramic  
EN 31

dimensions 1050 x 480 mm, angular

1 centre tap hole

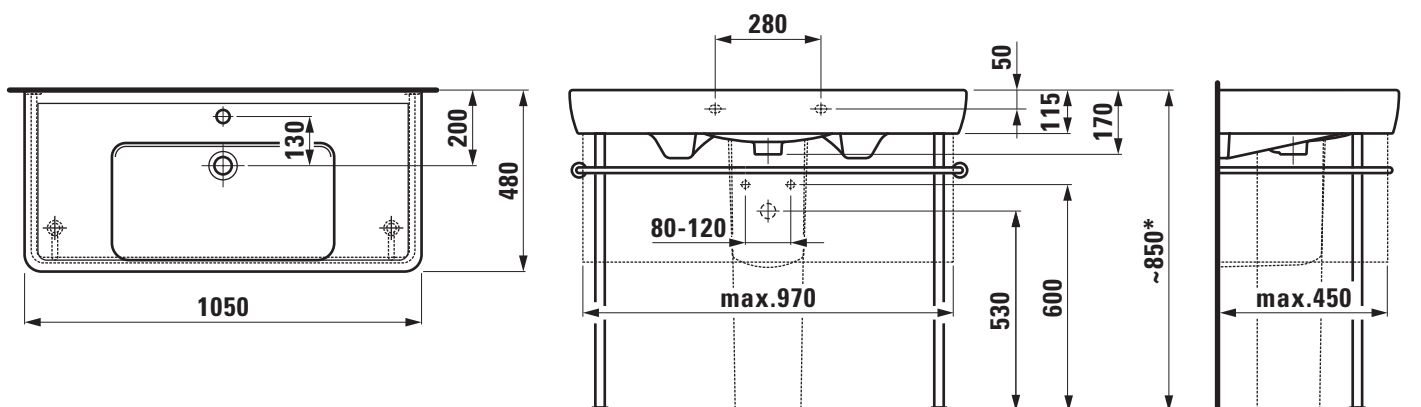
Special feature: overflow channel glazed, integrated shelves

Further options / accessories: Surface refinement LCC (only white),

siphon cover, pedestal, washbasin base, bathtubs, furniture

Order no. 81395.8

### TECHNICAL DRAWINGS / S 1 : 20



\* = Effective height must be fixed according to the height of the pedestal.