

# VitrA

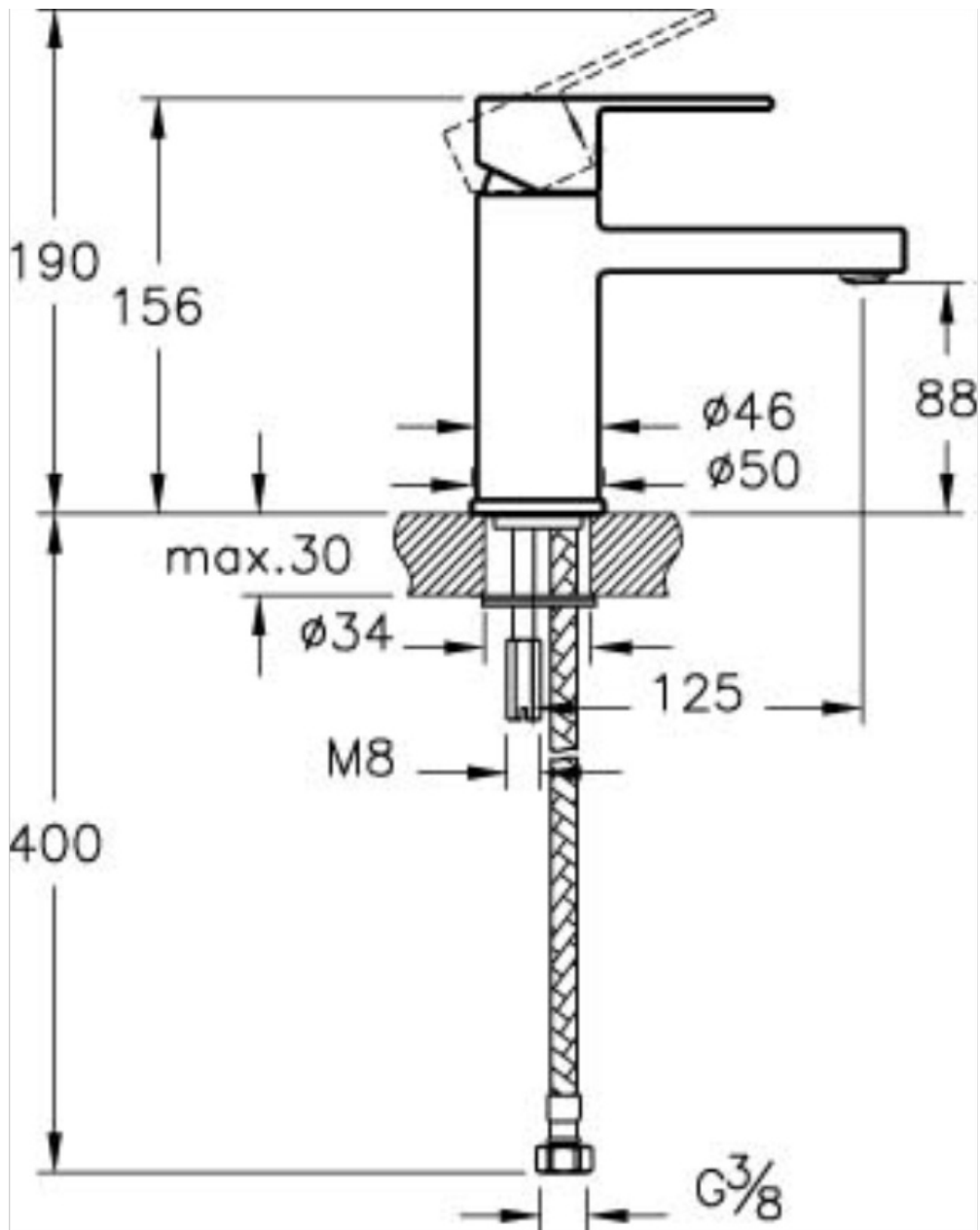
Flo S

---

## Description

Flo S Basin Mixer

Code	A41936EXP
Faucet Type	Standard
Installation Type	Standard
Product Properties	Energy Saving
Blue Life	Yes
Working Pressure	0,5-10 Bar (Recommended 3-5 Bar)
EPD	Yes
Coating	Chrome
Cartridge	35 mm Cartridge Temperature Adjustable
Aerator	Cache Aerator
Colour	Chrome



VitrA retains the right to change details about the products and technical specifications without prior notice.