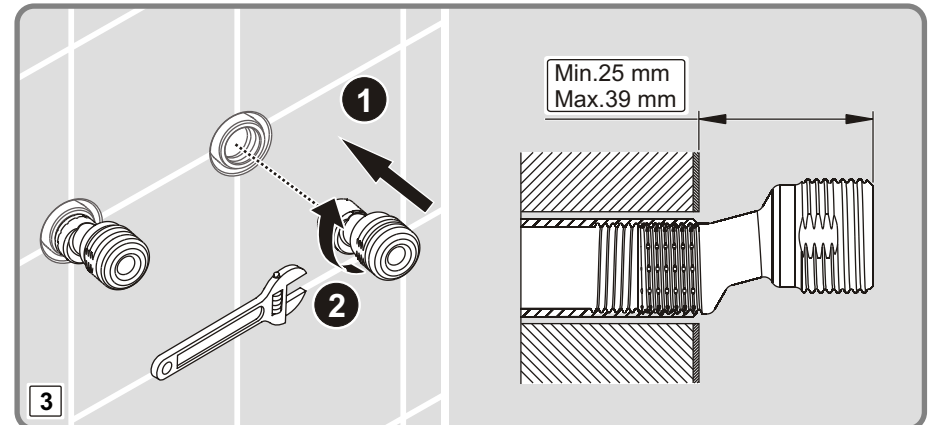
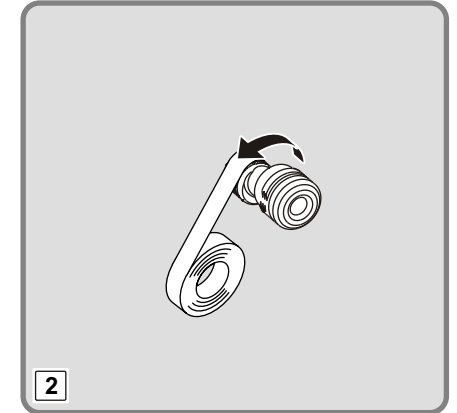
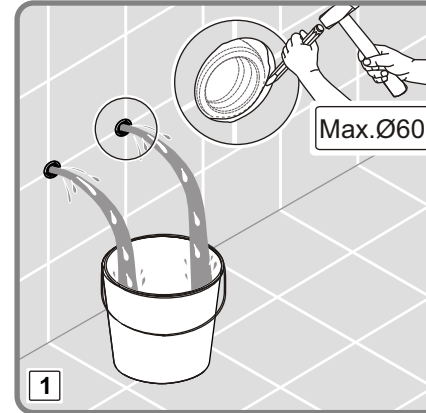
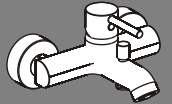
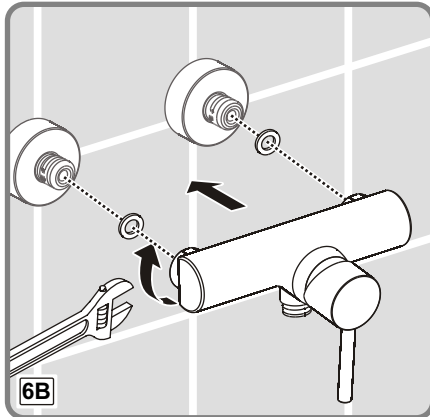
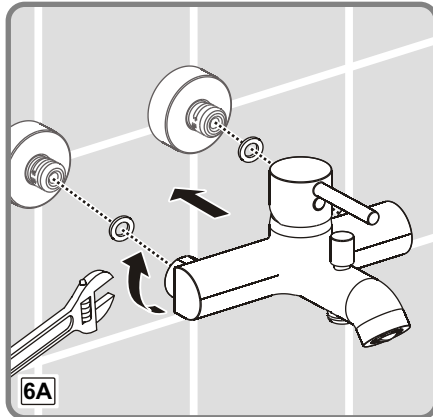
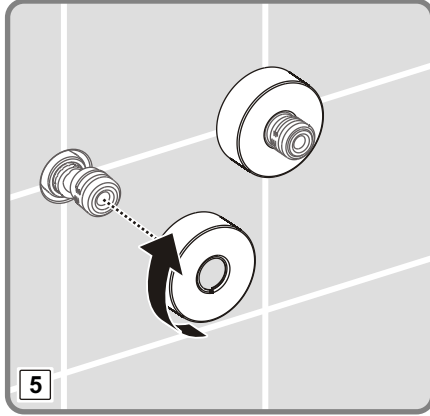
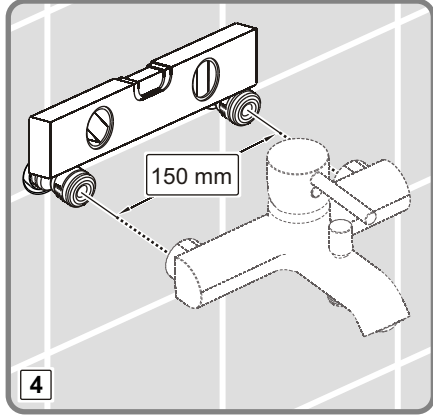
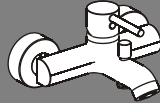


*The feature of temperature and flow rate adjustment is valid for certain models.



VitrA



VitrA

