

ASSEMBLY INSTRUCTION

A-2pcs

B-2pcs

C-4pcs

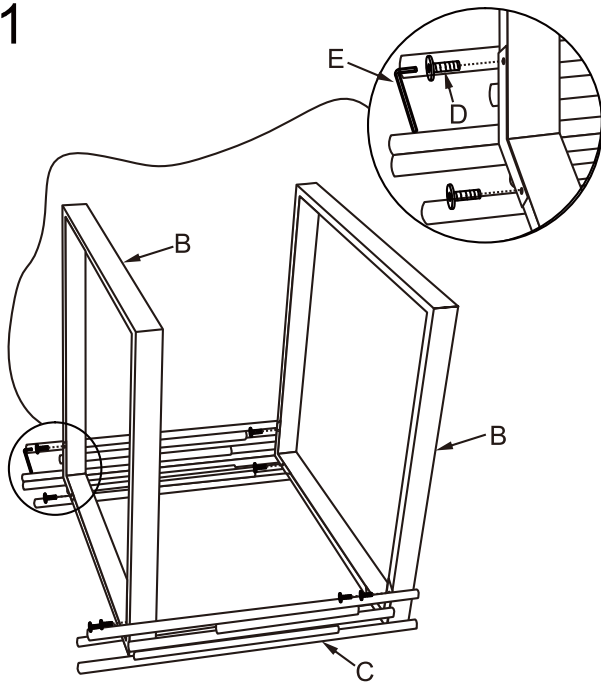
D-16pcs

E-1pc

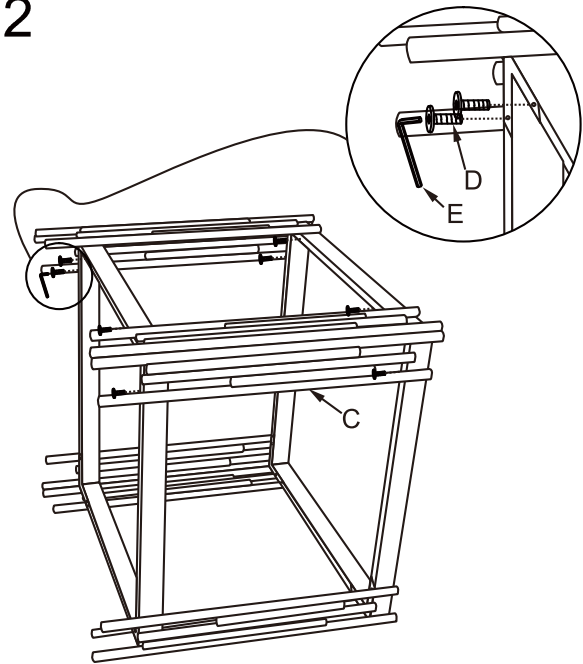
F-8pcs



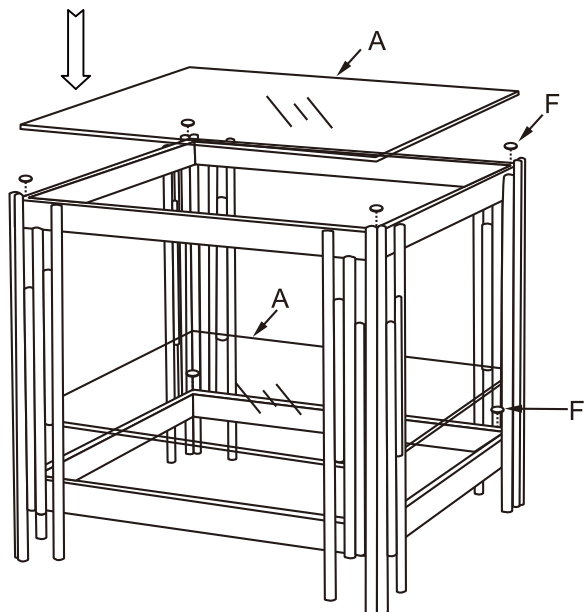
1



2



3



4

