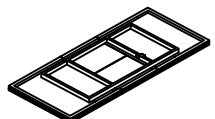
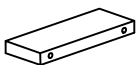
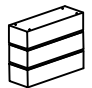
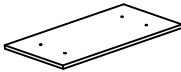








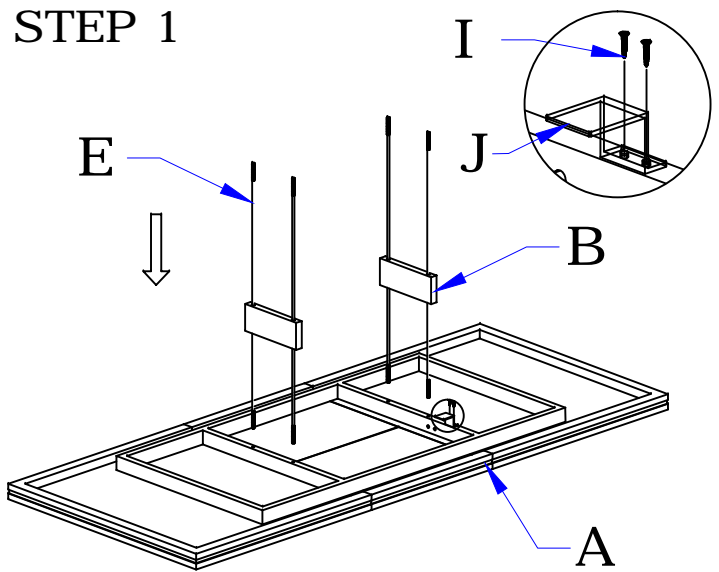
# ASSEMBLY INSTRUCTION

## MOD. NO. N-115-8

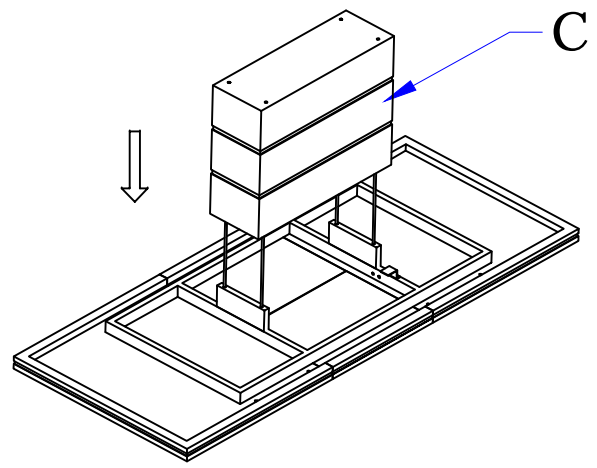
### COMPONENTS

A		1
B		2
C		1
D		1
E		4
F		1
G		4
H		4
I		2
J		1

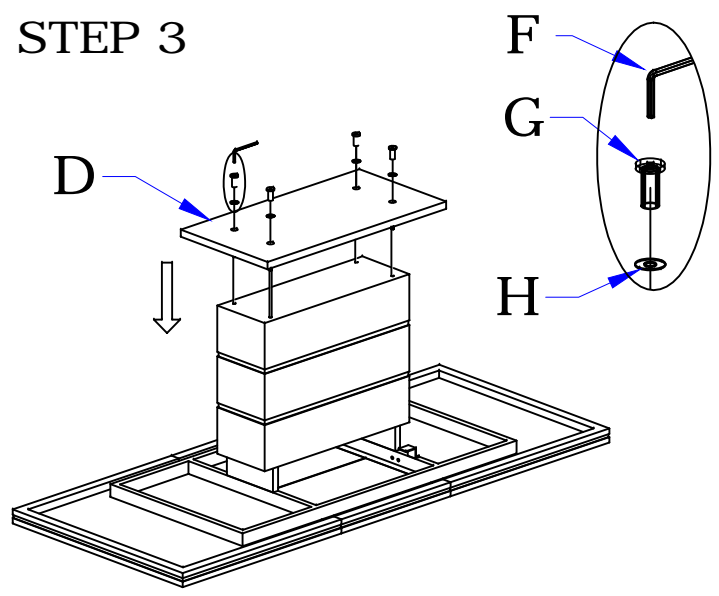
### STEP 1



### STEP 2



### STEP 3



### STEP 4

