



# WWB10G



## 10-Gallon Hot Water Dispenser

Item # \_\_\_\_\_  
 Model # \_\_\_\_\_  
 Name \_\_\_\_\_  
 SIS \_\_\_\_\_  
 AIA \_\_\_\_\_

10-Gallon Hot Water Dispenser



### MAIN FEATURES

- Digital controls and LCD display for ease of operation
- Precise temperature control and accuracy
- Automatic water refill or pour-over capability
- Heat 10 gallons in 3 hours
- All-stainless steel construction
- Tomlinson® No-Drip® tap operation\*
- Set night-mode feature to automatically start heating overnight, so water is hot when you need it
- Knuckle guard for safe operation during dispensing
- Features adjustable legs to set height to the proper level for your space or container
- Limited One Year Warranty

\*Tomlinson®, No-Drip® and the Faucet and Handle configurations are registered trademarks of The Meyer Company, Cleveland, OH

### ELECTRICAL

Voltage: 120  
 Frequency: 60Hz  
 Watts: 1800  
 Amps: 15  
 Plug Type: NEMA 5-15P ⓘ  
 Cord Length: 3.5 feet



### SALES FEATURES

The large capacity ensures you have hot water just when you need it. Operates with automatic water refill or pour-over capability. Pour-over/manual fill provides portability, perfect for off-site events, catering and banquets. Set the night-mode energy-saving feature to automatically start heating during non-business hours, so water is hot when you need it.



@waringcommercial

©2019 Waring Commercial  
 314 Ella T. Grasso Avenue, Torrington, CT 06790  
 Tel. 800-492-7464 • Fax 860-496-9008

waringcommercialproducts.com

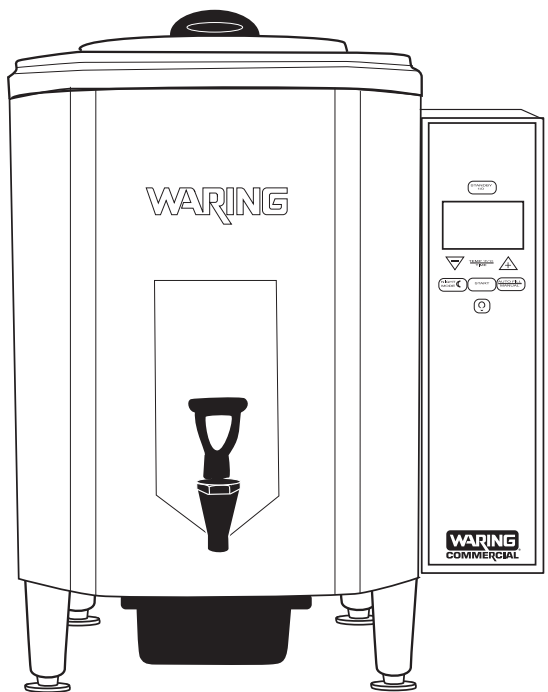
WWB10G



# 10-Gallon Hot Water Dispenser WWB10G

## DIMENSIONS

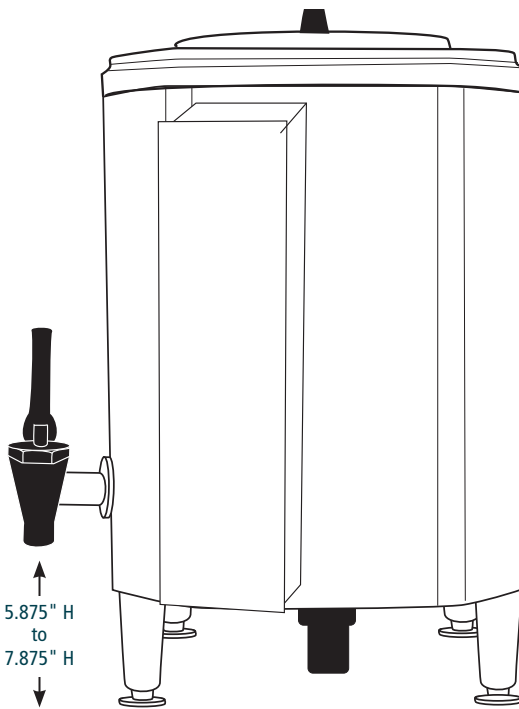
18.5" W



14" W

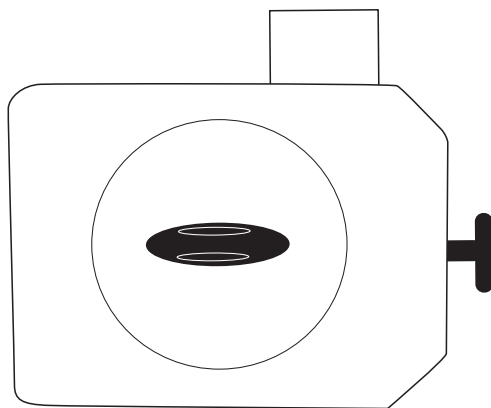
23.5" H  
to  
25.5" H

16.75" D



5.875" H  
to  
7.875" H

19.5" D



18.5" W

14" W

19.5" D

Water inlet valve (not shown) – 3/4-inch GHT

Out-of-Box Weight: 34.5 lb. (empty), 136 lb. (full)

ORDERING INFORMATION	#STD. PKG.	GIFTBOX WEIGHT	CUBIC FEET	BOX DIMENSIONS D X W X H	UPC	CASE PKG.	MC WEIGHT	MC DIMENSIONS D X W X H	MBC
WWB10G – 10-Gallon Hot Water Dispenser	1	40	6.296	21.5" x 22" x 23"	040072068645	1	40	21.5" x 22" x 23"	10040072068642



@waringcommercial

©2019 Waring Commercial  
314 Ella T. Grasso Avenue, Torrington, CT 06790  
Tel. 800-492-7464 • Fax 860-496-9008

waringcommercialproducts.com

19WC059772 / REV 04/19