


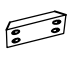
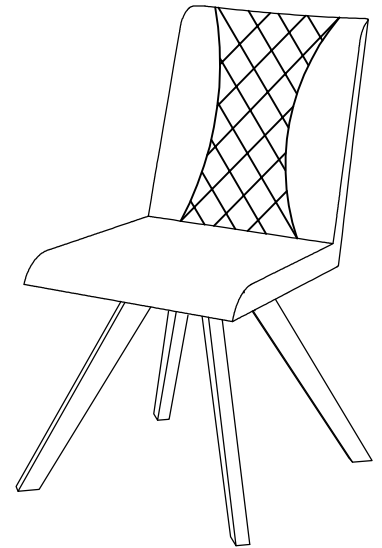


# ASSEMBLY INSTRUCTION

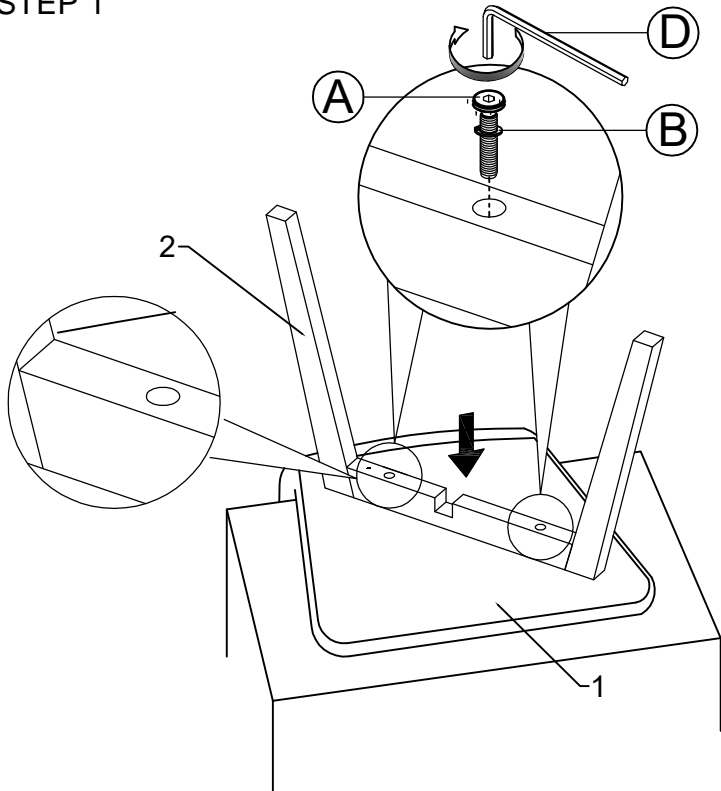
MODEL : LW1902-G

PART LIST			
1	Chair Body		1 PC
2	Leg		1 PC
3	Leg		1 PC
4	Corner Block		2 PCS

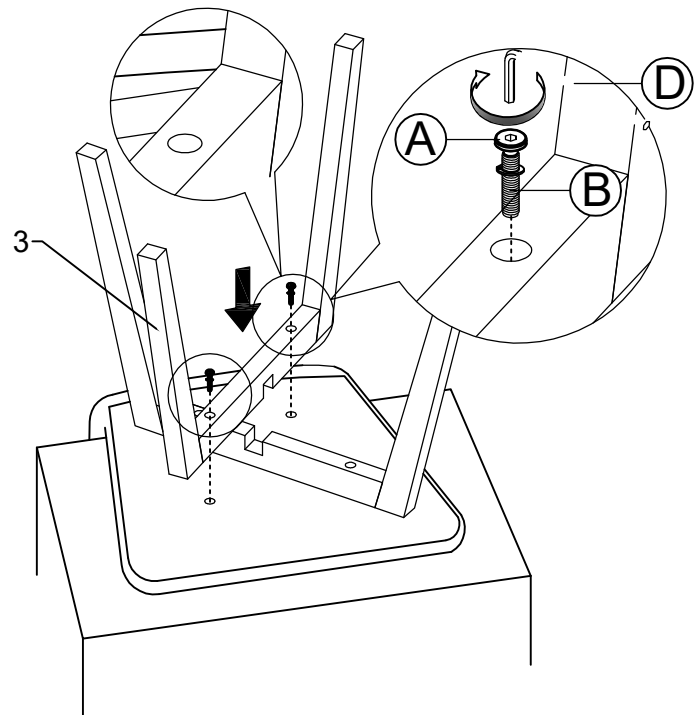
HARDWARE LIST			
A	JCBC M6 X 60mm		4 PCS
B	Spring Washer M6 X 13mm		4 PCS
C	CSK Screw M4 X 25mm		8 PCS
D	Allen Key		1 PC



## STEP 1



## STEP 2



## STEP 3

