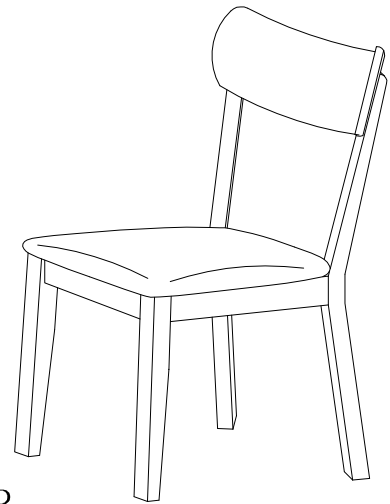


ASSEMBLY INSTRUCTIONS MODEL : MH 51755

IMPORTANT NOTE:

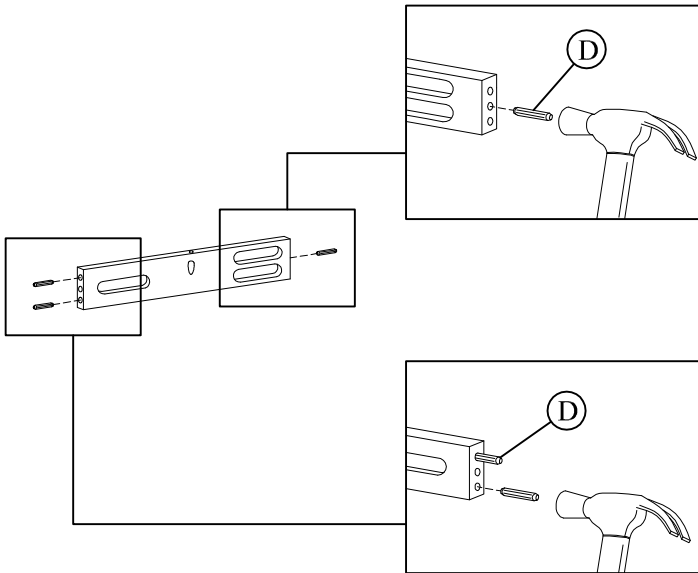
- * PLACE ALL WOODEN PARTS ON A CLEAN AND SMOOTH SURFACE SUCH AS A RUG OR CARPET TO AVOID THE PARTS FROM BEING SCRATCHED.
- * BEFORE YOU BEGIN, KINDLY FOLLOW THE ASSEMBLY INSTRUCTIONS STEP BY STEP.
- * DO NOT TIGHTEN ALL SCREWS UNTIL THE PRODUCT IS FULLY SET-UP,

HARDWARE LIST			
NO	DESCRIPTION		QTY
A		JCBC BOLT M6 X 50mm	6
B		SPRING WASHER M6	6
C		ALLEN KEY M4	1
D		WOOD DOWEL M8 X 30mm	6
E		CSK SCREW M4 X 32mm	3

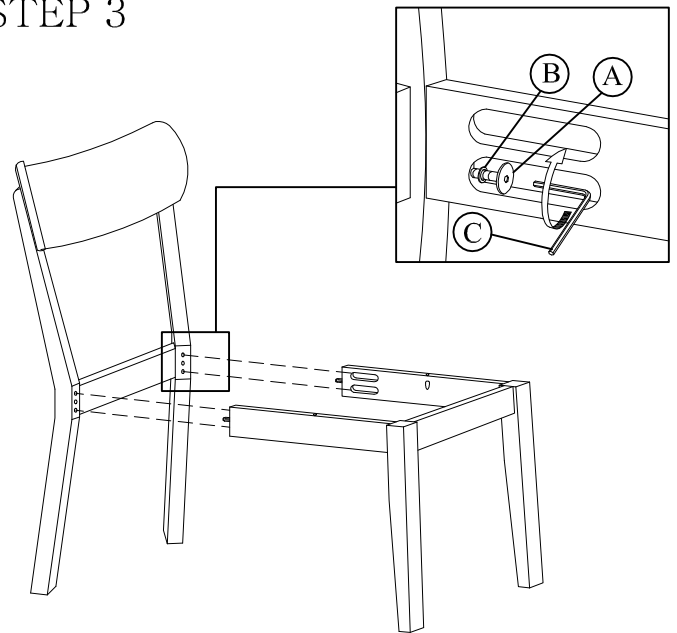


FULLY SET-UP

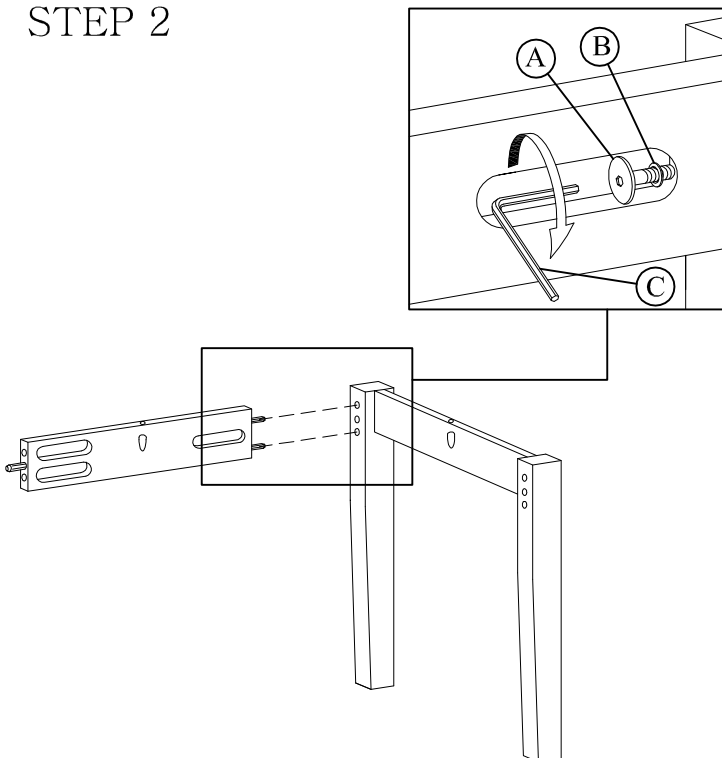
STEP 1



STEP 3



STEP 2



STEP 4

