

Varimixer

KODIAK10

UNIQUE SELLING POINTS

- Meets the IP44 standards
- Stainless steel frame
- Bowl with bowl detection
- Patented magnetic detachable safety guard
- Scraper holder included
- Wider bowl, offering greater visibility
- Four height-adjustable feet
- Single phase 230 V
- Extra protection against water ingress



MARINE VERSION

- IP44
- Extra protection against water ingress
- Meets the USPHS standards
- Available for special marine power supply



OPTIONS



Attachment drive

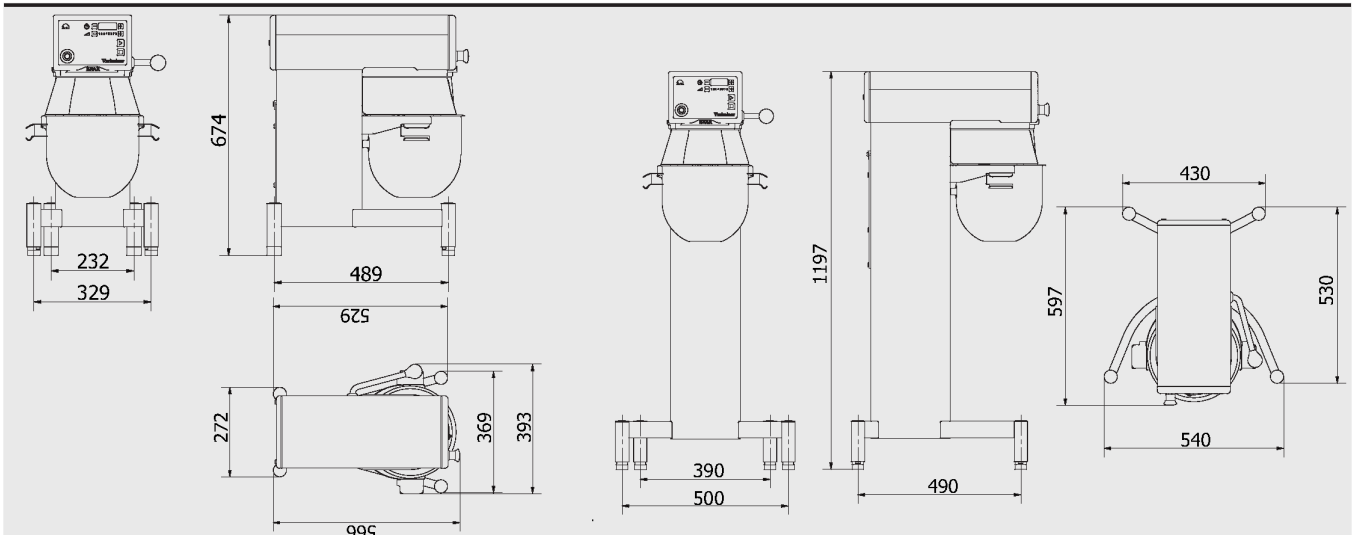
ACCESORIES AND EQUIPMENT

- Meat mincers – see page 32
- Cookie press – see page 32
- Vegetable cutter – see page 33
- Tool rack
- Automatic scraper



Automatic scraper, stainless steel

DIMENSIONS



Measurements in mm

