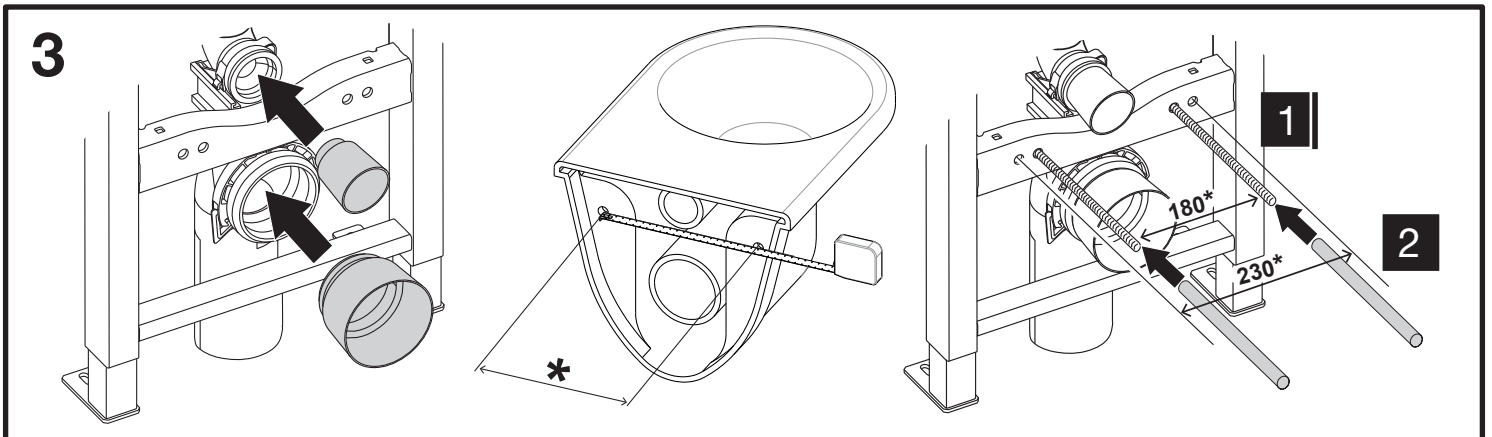
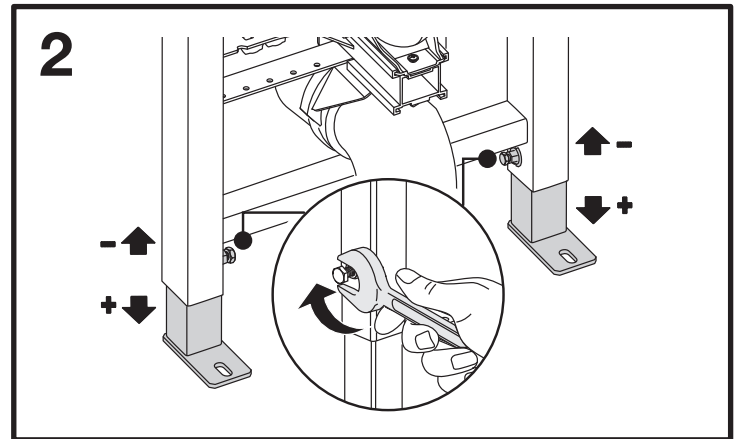
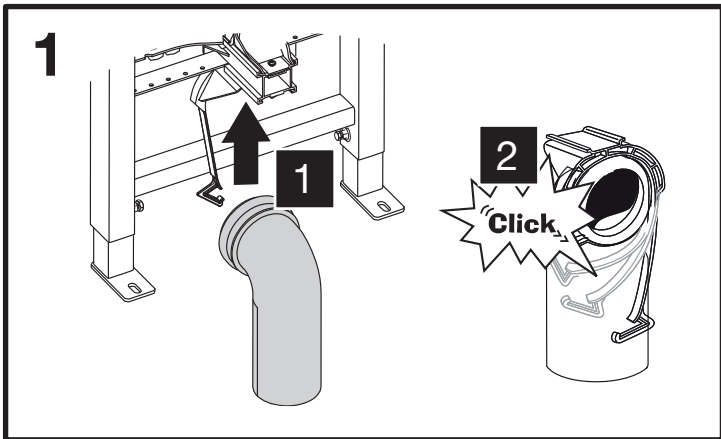
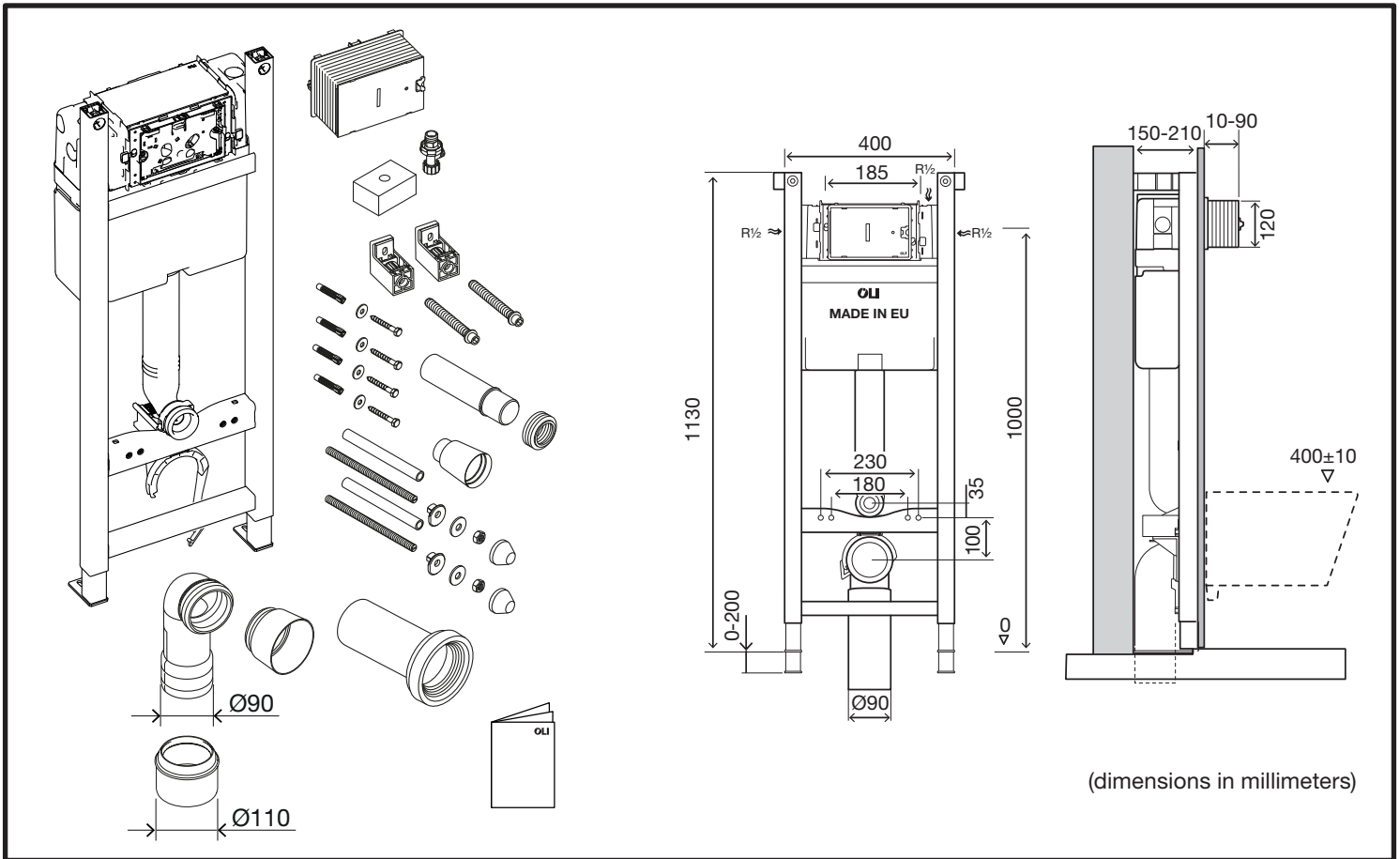
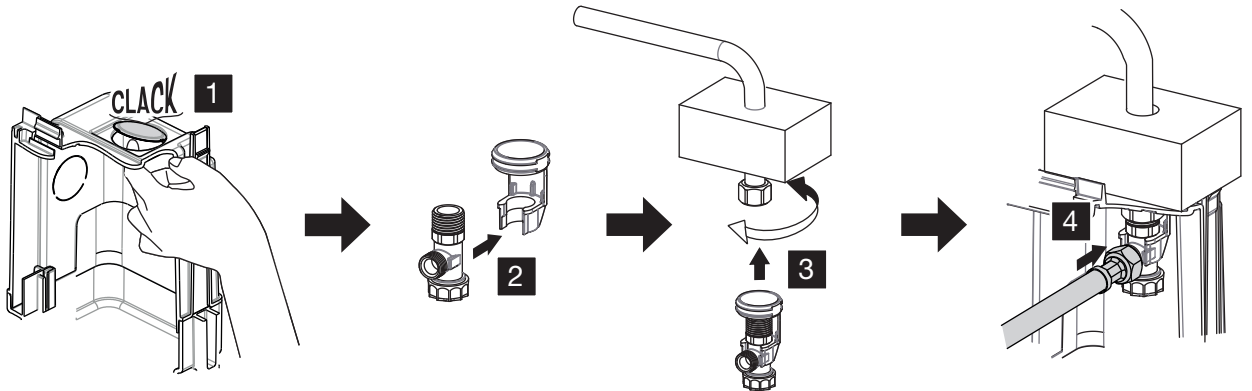
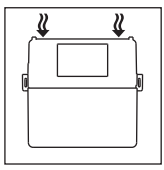


EXPERT PLUS

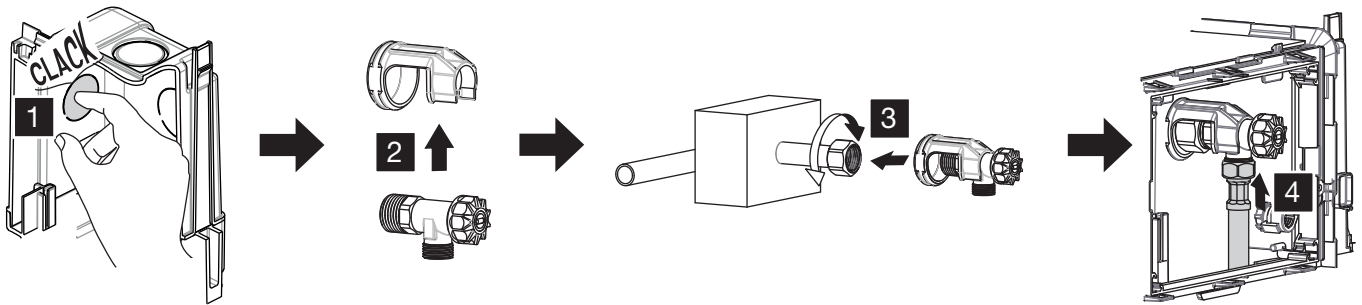
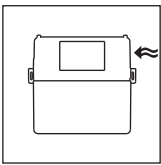
SANITARBLOCK H1130



4A

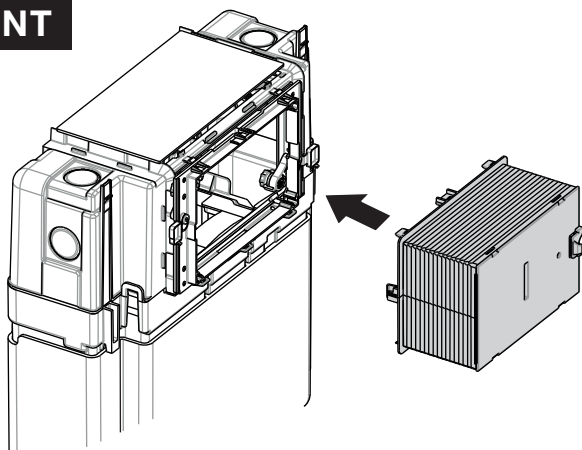


4B



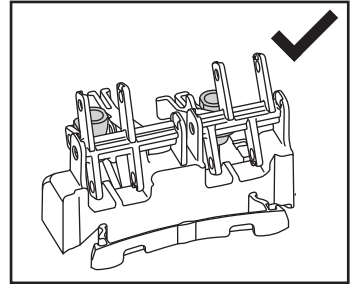
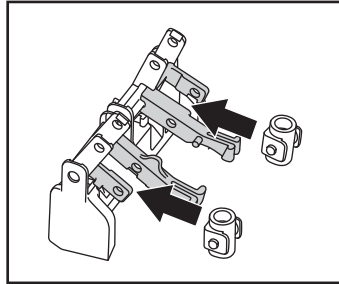
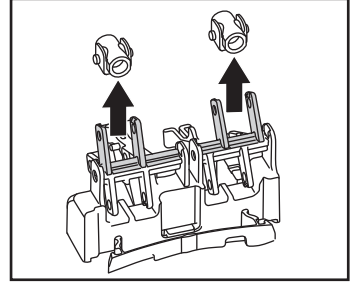
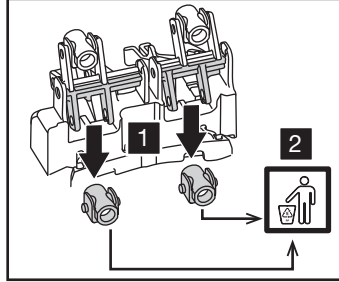
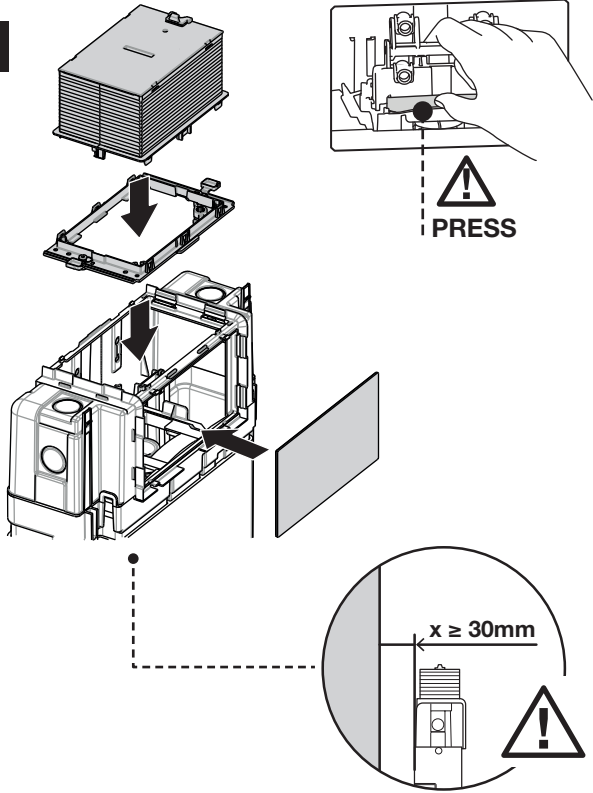
5

FRONT



5

TOP



6

