



FOOD-PROCESSOR - EMULSIFIER KE-5V

Bowl capacity: 5.5 lt. Variable speed.



Stainless steel hopper with highly-resistant polycarbonate lid.

Maximum comfort for the user

- ✓ Advanced control panel that is very intuitive to use and offers all the information at a glance.

Maintenance, safety, hygiene

- ✓ Safety microswitches on the hopper and lid position.
- ✓ Appliance certified by NSF International (regulations on hygiene, cleaning and materials suitable for contact with foods).
- ✓ 100% tested.

INCLUDES

- ✓ Set of serrated blades.
- ✓ "Cut&mix" mixer

ACCESSORIES

- Blades for CK / K / KE
- "Cut&Mix" Scrapers CK / K / KE

SALES DESCRIPTION

To cut, grind, mix and knead any food in seconds.
Brushless technology: maximum efficiency.

Equipped with "brushless" technology: powerful and efficient motors.

- ✓ Maximum efficiency: maintain the torque throughout the speed range.
- ✓ Exclusive "force control system": guarantee of a uniform and high quality result.
- ✓ Lightweight and compact design: they weigh less, they occupy less space.
- ✓ Improved air/water-tightness since no ventilation is required.
- ✓ They generate less noise: improved workplace environment.

Efficiency and performance

- ✓ Possibility of programming by time and pulse button.
- ✓ Reverse function, ideal for mixing products instead of cutting.
- ✓ 5.5 litre stainless steel hopper.
- ✓ Polycarbonate lid with built-in "cut&mix" mixer.
- ✓ Depending on the purpose, the possibility of using optional smooth or perforated blades.

Built to last

- ✓ Robust construction of stainless steel and food-grade materials of the highest quality: stainless steel motor block with aluminium lid.



sammic | www.sammic.com
Food Service Equipment Manufacturer

Polígono Basarte, 1.
20720 Azkoitia, Spain

phone +34 943 15 72 36
sales@sammic.com



Project

Date

Item

Qty

Approved



FOOD-PROCESSOR - EMULSIFIER KE-5V

Bowl capacity: 5.5 lt. Variable speed.



SPECIFICATIONS

Bowl capacity: 5.5 l
 Bowl dimensions: Ø240 mm x 150 mm
 Total loading: 1500 W
 Speed, min-max: 300 rpm - 3000 rpm

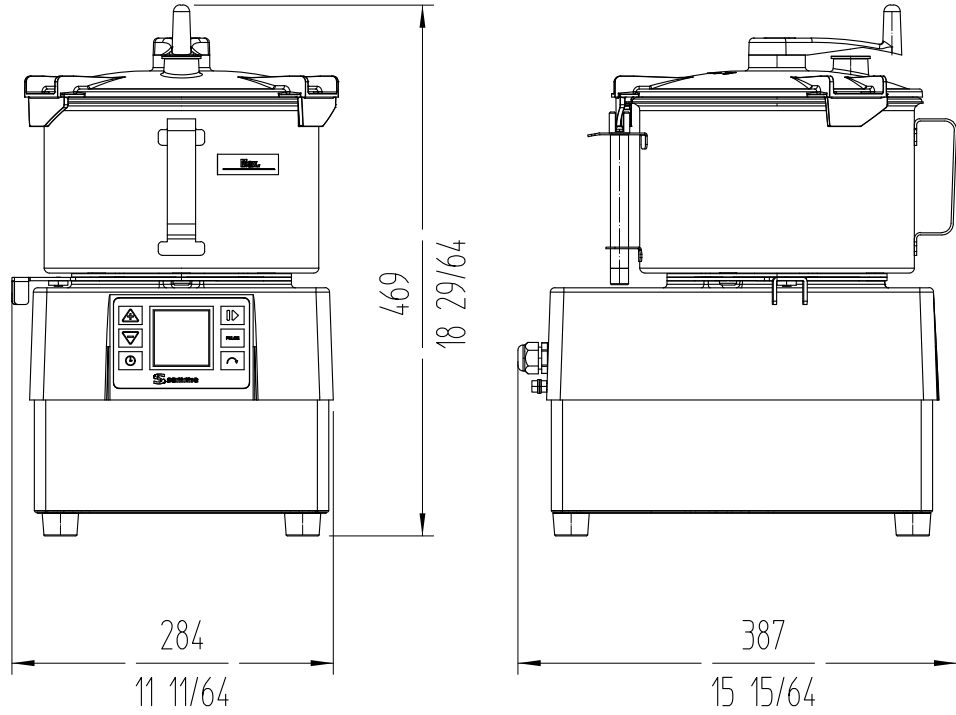
External dimensions (WxDxH)

- ✓ Width: 286 mm
- ✓ Depth: 387 mm
- ✓ Height: 487 mm

Net weight: 18 Kg

Crated dimensions

440 x 355 x 570 mm
 Volume Packed: 0.09 m³
 Gross weight: 23.5 Kg.



DYNAMIC PREPARATION
CUTTER-MIXERS & EMULSIFIERS

AVAILABLE MODELS

- 1050834 Cutter-Emulsifier KE-5V 230/50-60/1
- 1050836 Cutter-Emulsifier KE-5V 120/50-60/1
- 1050840 Cutter-Emulsifier KE-5V 230/50-60/1 BR
- 1050842 Cutter-Emulsifier KE-5V 230/50-60/1 K

* Ask for special versions availability

 sammic www.sammic.com Food Service Equipment Manufacturer Polígono Basarte, 1. phone +34 943 15 72 36 20720 Azkoitia, Spain sales@sammic.com		Project	Date
		Item	Qty
		Approved	

product sheet
updated 08/04/2021