



VEGETABLE PREPARATION MACHINE CA-41

High production vegetable preparation machine with an hourly output of up to 1,300 lbs. / 650 Kg.



than 70 different types of cuts and grating grades.

- ✓ Head with blade on one side that distributes products inside the mouth and cuts and distributes whole products such as cabbage.
- ✓ Head equipped with high ejector: enables a higher quantity of product to be shifted.

Built to last

- ✓ Made from stainless steel and food-grade materials of the highest quality: stainless steel motor block and food-grade aluminium head.
- ✓ High power asynchronous motor.

Maximum comfort for the user

- ✓ Ergonomic design. Maximum comfort for the user.
- ✓ Lateral product output: requires less space on the worktop and guides the product, avoiding splashes.
- ✓ The electronic command panel is very intuitive.

Maintenance, safety, hygiene

- ✓ Lever and lid easily removable for cleaning purposes.
- ✓ Combination of safety systems: head, cover, power switch.
- ✓ Appliance certified by NSF International (regulations on hygiene, cleaning and materials suitable for contact with foods).
- ✓ 100% tested.

SALES DESCRIPTION

Single-speed motor block + large production attachment.

- ✓ Uniform, high-quality cut.
- ✓ Ergonomic design.
- ✓ Head with blade on one side that cuts and distributes products inside the mouth and distributes whole products such as cabbage.
- ✓ High ejector: processes a higher quantity of product, obtaining a high production without affecting the final quality.
- ✓ Lateral product output: requires less space on the worktop and guides the product, avoiding splashes.
- ✓ Lever and lid easily removable for cleaning purposes.
- ✓ Accredited by NSF International.

A perfect cut

- ✓ High precision adjustments to obtain a uniform and excellent-quality cut.
- ✓ It can be fitted with a wide range of discs and grids of the highest cutting quality. Combining these accessories together to obtain more

INCLUDES

- ✓ 1 speed motor block.
- ✓ Core drill (optional use).
- ✓ Large capacity hopper.

ACCESSORIES

- FCC Curved Slicing Discs
 - FCO Rippled Slicing Discs
 - FFC Chipping Grids
 - FMC Dicing Grids
 - FCE Julienne Discs
 - FR Shredding & Grating Discs
 - Long vegetable attachment
 - Universal hopper
 - Disc and Grid Holder
 - Automatic Hopper
 - Grid Cleaning Kit
 - FC-D Slicing Discs
 - SH Shredding & Grating Discs
- :: NEW: Detachable without tools & dishwasher safe



sammic | www.sammic.com
Food Service Equipment Manufacturer

Polígono Basarte, 1. phone +34 943 15 72 36
20720 Azkoitia, Spain sales@sammic.com



Project	Date
Item	Qty
Approved	

DYNAMIC PREPARATION
COMMERCIAL VEGETABLE PREPARATION MACHINES

product sheet
updated 20/05/2021



VEGETABLE PREPARATION MACHINE CA-41

High production vegetable preparation machine with an hourly output of up to 1,300 lbs. / 650 Kg.



SPECIFICATIONS

Hourly production: 200 Kg - 650 Kg

Inlet opening: 286 cm²

Disc diameter: 205 mm

Motor speed: 365 rpm

Loading: 550 W

Noise level (1m.): <70 dB(A)

Background noise: 32 dB(A)

External dimensions (WxDxH)

Width: 391 mm

Depth: 396 mm

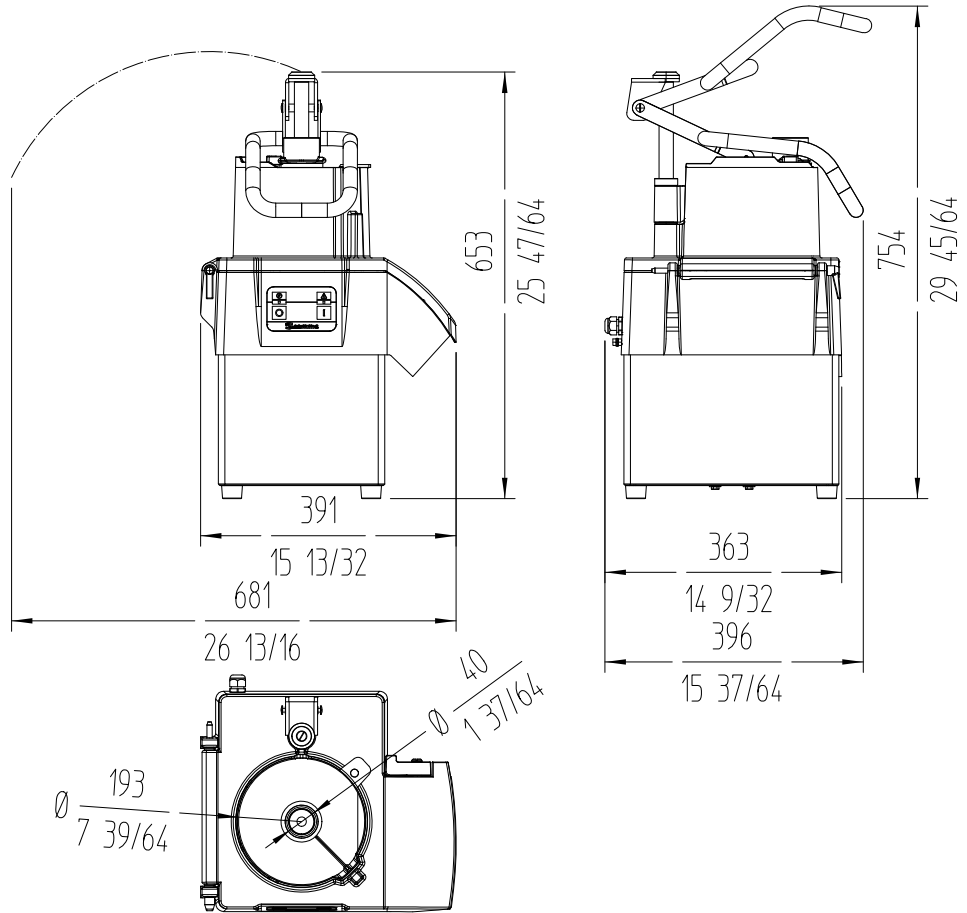
Height: 652 mm

Net weight: 24 Kg

Crated dimensions

440 x 430 x 700 mm

Volume Packed: 0.13 m³



AVAILABLE MODELS

1050721 Vegetable preparation machine CA-41 230-400/50/3N

1050719 Vegetable preparation machine CA-41 230/50/1

1050720 Vegetable preparation machine CA-41 120/60/1

1050725 Vegetable preparation machine CA-41 220/60/1

1050726 Vegetable preparation machine CA-41 220-380/60/3N

1050731 Vegetable preparation machine CA-41 230/50/1

* Ask for special versions availability

sammic | www.sammic.com
Food Service Equipment Manufacturer

Polígono Basarte, 1. phone +34 943 15 72 36
20720 Azkoitia, Spain sales@sammic.com



Project	Date
Item	Qty
Approved	

DYNAMIC PREPARATION
COMMERCIAL VEGETABLE PREPARATION MACHINES

product sheet
updated 20/05/2021