

CO₂ Incubator

Water / Air Jackete

BNA600/IP600

Operating temp. range RT +5~50°C

Temp. distribution accuracy ±0.2°C (at 37°C) BNA600 ±0.25°C (at 37°C) IP600

Internal capacity 167L



167L BNA600

167L IP600

- Extremely stable incubation atmosphere inside the chamber by water jacket. (BNA600)
- Eliminates source of contaminants by stainless steel. (IP600: interior material, shelf, humidifying tray)
- Visualized operating condition, easy operation even with gloves on.
- History function ensures trouble-free management at night and on holidays.
- Simple and functional internal chamber.
- Eliminates source of contaminants with optional HEPA filter circulation.
- Designed with reduced power / CO₂ consumption.

Control Panel



Specifications

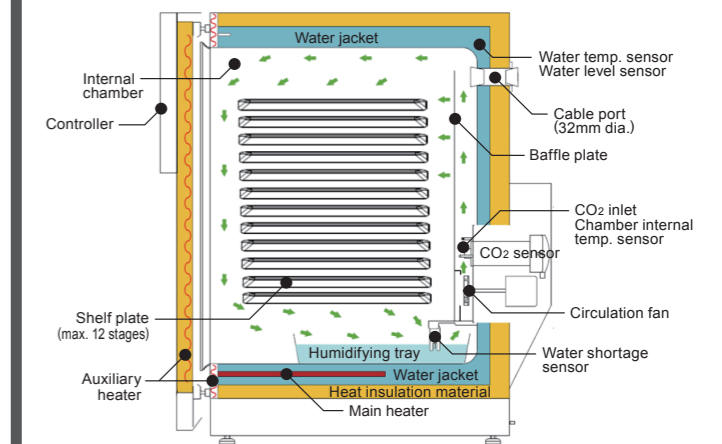
Model	BNA600	IP600
System	Water jacket	Air jacket with drying sterilization
Operating temp. range	Room temp. +5~50°C	
Humidify system	Natural evaporation by water in tray	
Operating humidity range	More than 95%R.H.	
CO ₂ density adjustable range	0 (at atmosphere) ~20.0%	
Temp. control accuracy (JTM K05)	±0.1°C (at 37°C)	
Temp. fluctuation (JIS)	±0.2°C (at 37°C)	
Temp. distribution accuracy (JTM K05)	±0.2°C (at 37°C)	
Temp. gradient (JIS)	±1.0°C (at 37°C)	
CO ₂ density control accuracy	±0.2% (at 37°C, set at 5.0%)	
CO ₂ supplying pressure	0.03 ± 0.02MPa	
Exterior material	Cold rolled steel plate with baked-on melamine resin finish	
Inner door	Thick reinforced glass	
Interior material	Stainless steel (SUS304)	Antibacterial stainless steel
Internal dimensions (W×D×Hmm)	485×540×640, approx. 167L	
Shelf rest pitch/steps	40mm, 12steps	
Max. shelf load	5kg / pc.	7kg / pc.
Cable port	I.D. 32mm (back)	
Display	7-inch color LC touch panel (Japanese / English / Chinese)	
Temp. control sensor	Pt100Ω	
CO ₂ sensor	Infrared ray absorption type	
Operation function	Temperature output terminal, CO ₂ concentration output terminal, external alarm output terminal, External communication terminal (optional), Operation history display, output to the USB memory	
Safety device	Electric leakage breaker, Independent overheat prevent function, Temp. upper / lower limit abnormal, CO ₂ concentration upper/lower limit abnormal, Self diagnosis function (Sensor, Heater, SSR, Main relay, Automatic overheat prevention), Door open alarm, Water-level abnormal (BNA only), Humidifying water shortage alarm, Overturn prevention bracket	
External dimensions	W600×D664×H880mm	
Weight	Approx. 100kg	Approx. 110kg
Power source (50/60Hz)	AC115V/AC220V Single phase	
Accessories	Shelf plate (Aluminum)×4pcs., Humidifying tray (BNA: SUS304, IP: antibacterial stainless steel), CO ₂ supply hose (I.D. 5mm×2m), Hose clamp×2pcs., Water supply/drain hose (BNA only, I.D.9mm×1.5m), Silicon plug for cable port×2pcs., Spanner, Antirust agent	

Interior

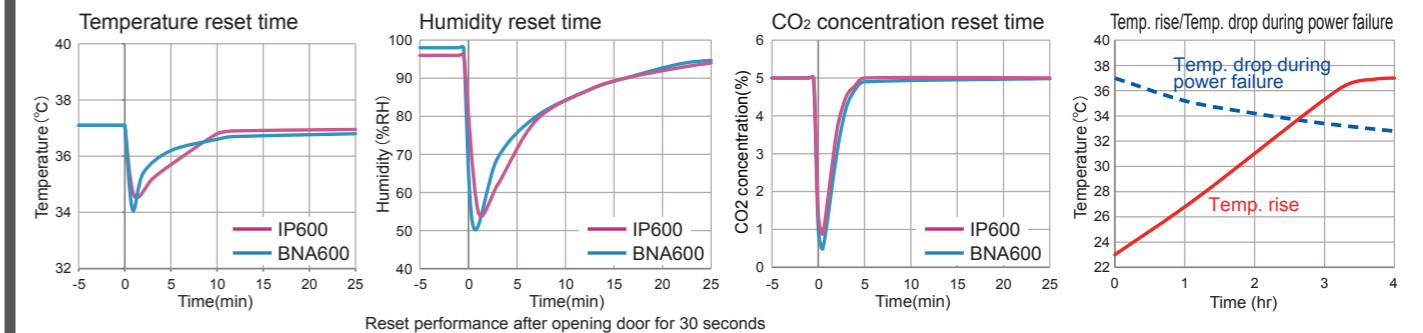


- Single-piece internal bath, with seamless shelf support.
- Highly-reliable CO₂ sensor.
- CO₂ gas consumption.
- Aluminum-made shelf plate.
- Antibacterial shelf plate (option).
- Cable hole (32mm dia.).
- Function: to announce the need for replenishment of humidifying water.

Interior Structure (BNA600)



Performance Curve



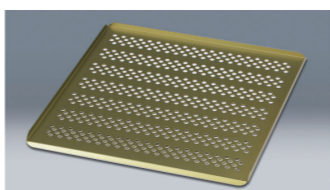
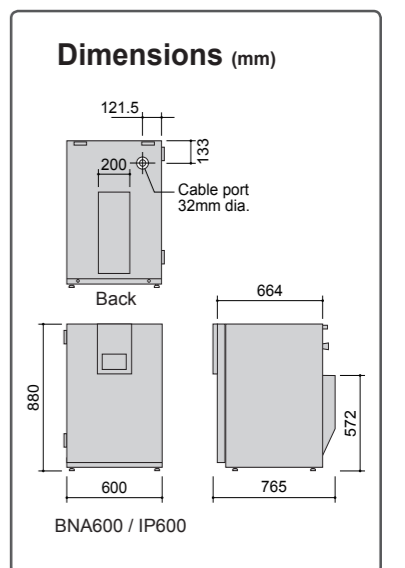
Optional items

Description	Item Code
Aluminum punching shelf (standard, loading up to 5kg/shelf)	213747
Antibacterial aluminum punching shelf (loading up to 5kg/shelf)	213748
Antibacterial stainless punching shelf (loading up to 5kg/shelf)	211253
Humidifying stainless tray (standard, 4L)	213749
Antibacterial humidifying stainless tray (4L)	213750
Stacking support kit	213751
Insulated stacking support kit	211254
Insulated stacking support kit for IP400	211255
Stand with caster	213752
Stand	213753
Anti-rust agent for water jacket, 50mL (10mL/time×5 times)	213758
Anti-rust agent for humidifying tray, 25g/1 pc. (Approx. 9g / time)	213759
*Clean circulation maintaining system, HEPA filter, FED standard Class 100	213755
CO ₂ sample port (IN)	213760
*External communication terminal (RS485)	213756
External communication adapter set (USB-RS485 conversion)	213754
CO ₂ gas regulator	213757
CO ₂ cylinder automatic change	281233

* Please specify when ordering main unit.



Two units can be installed, one unit on top of the other. The low-floor frame with casters makes it easy to move.



Antibacterial shelf plate



Clean circulation mechanism



Low-floor stand with casters



Stand