



IMF 28

LIST OF EXPLODED VIEWS



SHELL ASSY

COOLING SYSTEM

HYDRAULIC CIRCUIT

EVAPORATOR SUPPORT from s/n. 497155

EVAPORATOR SUPPORT till s/n. 497154

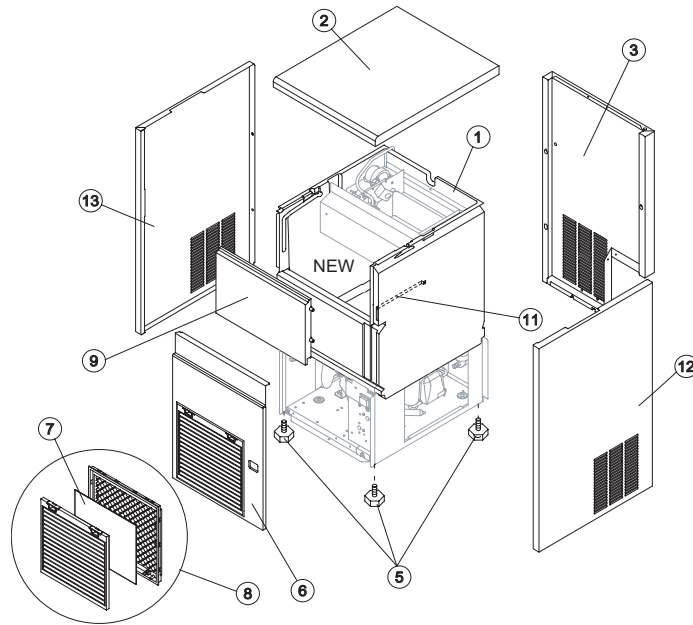
ELECTRIC PARTS

Rev. 8 - 08/06/2015



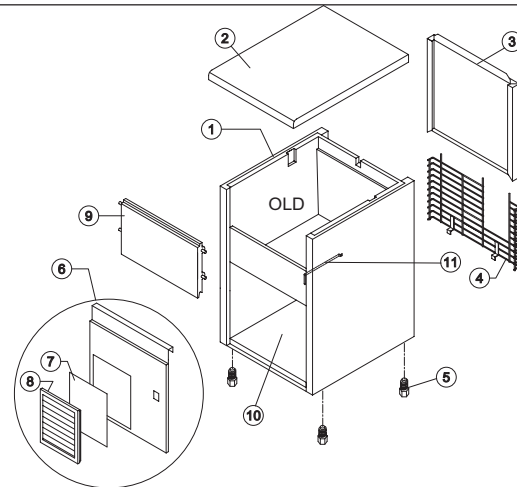
IMF 28

SHELL ASSY



Version NEW

Ref.	Spare Description	Code
1	Foamed Bin Assy	C11134
2	Top Assembly	C221351
3	Rear Panel Assembly	C21376
5	Foot	10557
6	Front Grid Panel	C221350
7*	Filtering Panel	18106
8	Frame + Grid & Filter	C10205
9	Door Assy	C10303
11	Bulbe-holder Pipe	20520
12	Right Side Panel	221414
13	Left Side Panel	221413



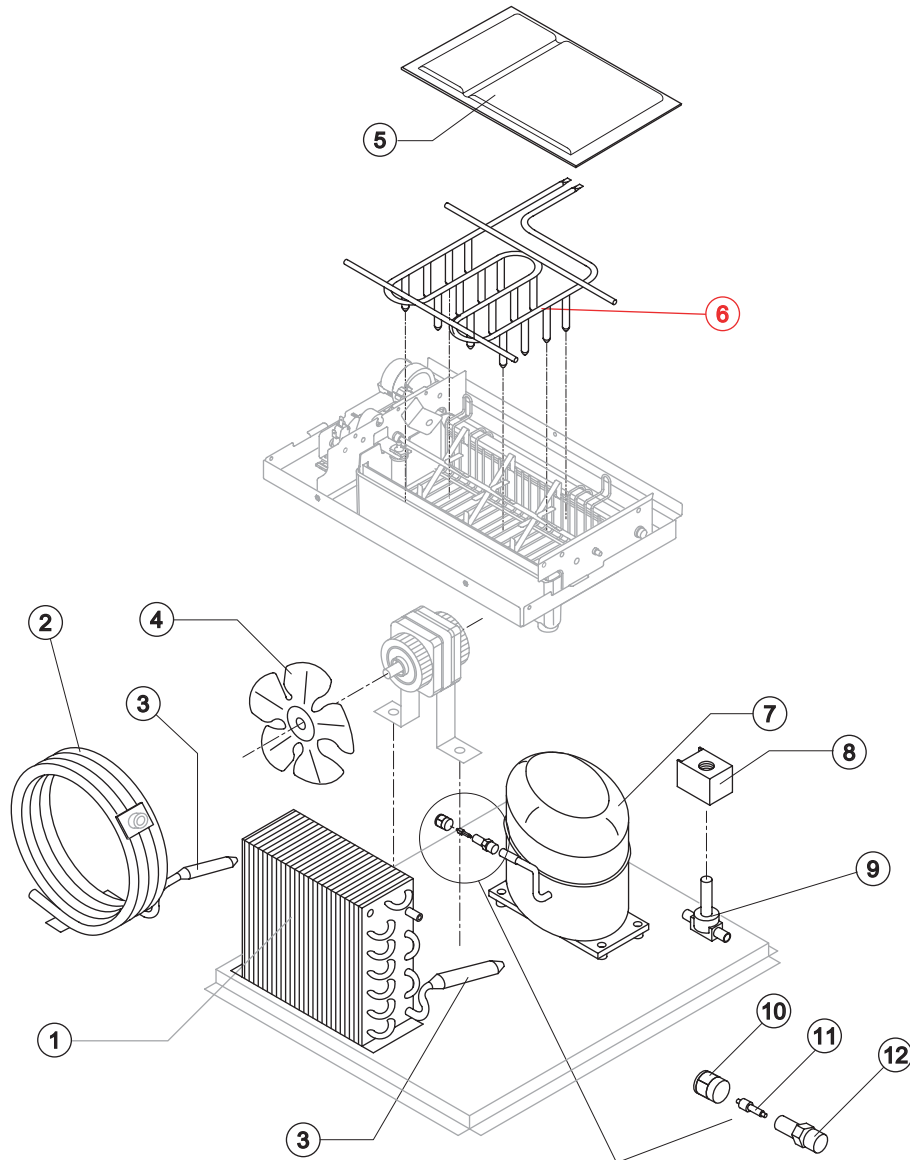
Version OLD

Ref.	Spare Description	Code
1	Foamed Bin Assy	C11141
2	Top Assembly	C22693
3	Rear Panel Assembly	C21181
4	Rear Grid	D12002
5	Foot	10017
6	Front Grid Panel	C22506
7*	Filtering Panel	18106
8	Frame + Grid & Filter	C10205
9	Door Assy	C10303
10	Base Plate	21001
11	Bulbe-holder Pipe	20520

Rev. 8 - 08/06/2015



Rev. 8 - 08/06/2015



Common Parts

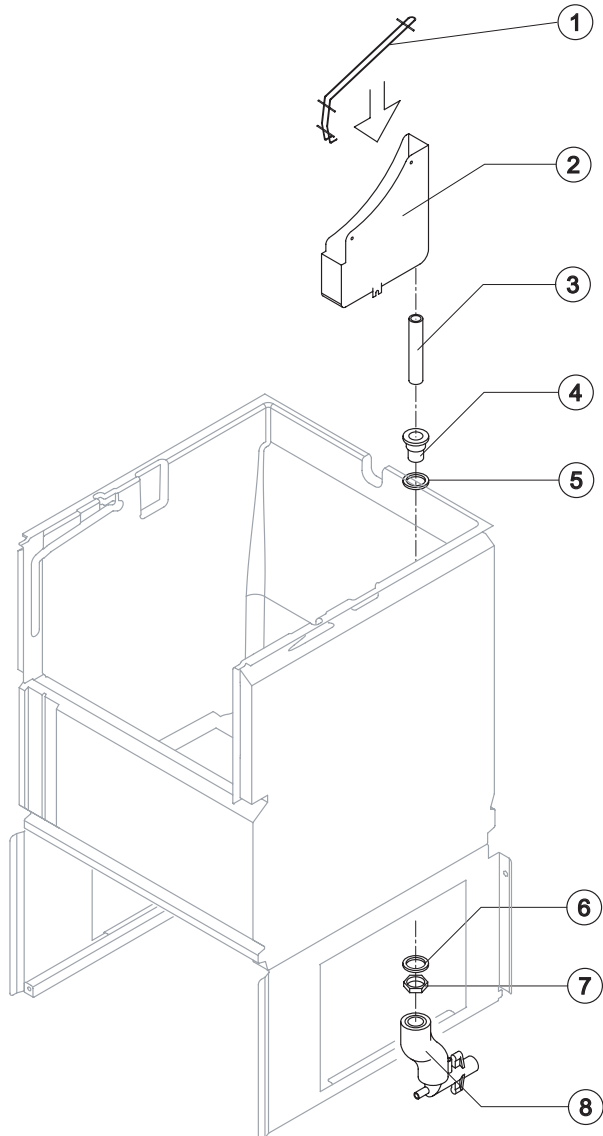
Ref.	Spare Description	Code
3*	Molecular Drier	14009
5	Evaporator Cover Panel	10486
6	Evaporator	Current Version
6	Evaporator	Till s/n. 497154
7	Compressor	23886
8*	Hot Gas Valve Coil	23091
9*	Hot Gas Valve Body	20410
10*	Vacuum-Charge Valve Plug	14006
11*	Vacuum-Charge Valve Device	14005
12	Vacuum-Charge Valve Body	14007

Parts for Air-Cooled Version Only

Ref.	Spare Description	Code
1	Air Condenser	20534
4	Sucking Fan	20095

Parts for Water-Cooled Version Only

Ref.	Spare Description	Code
2	Water Condenser	14057



Common Parts

Ref.	Spare Description	Code
1	Water Collecting Basin Slide	12072
2	Water Collecting Basin	10456
3*	Water Collecting Basin Drain Pipe	13158
4	Water Outlet Nipple	10472
5	Silicone Gasket	13006
6	Semirigid Polyethylene Gasket	13007
7	Bin Discharge Nut	10096

Parts for Air-Cooled Version Only

Ref.	Spare Description	Code
8	Discharges Manifold	C10006

Parts for Water-Cooled Version Only

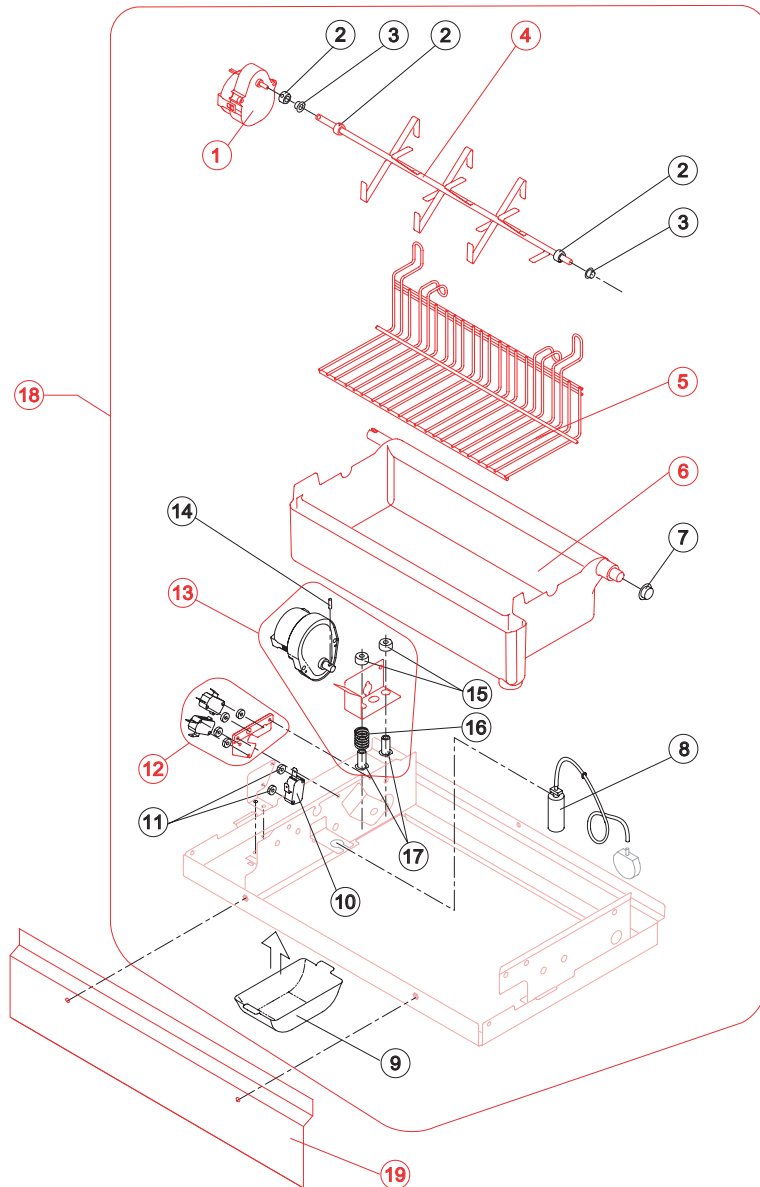
Ref.	Spare Description	Code
8	Discharges Manifold	C26452



IMF 28

EVAPORATOR SUPPORT

From s/n. 497155



Ref.	Spare Description	Code
1*	Gearmotor (Paddles)	23937
2	Shaft Stop Ring	20227
3	Self-Lubricating Bush 06/06	20230
4*	Shaft with Paddles	20969
5	Internal Slide Bin	12087
6*	Water Basin with Pivot	C10590
7	Self-Lubricating Bush 12/07	20231
8*	Air Trap with Pipe	C10537
9	Gearmotor (Paddles) Protection	10483
10*	Microswitch (Paddles - NO)	23804
11	Switch Shimming Ring	10250
12*	2 Microswitches (Basin - NC) Support Assembly	C26747
13*	Gearmotor (Turnover Basin) with support Assy	C26746
14	Shaft Pin for Gearmotor (Turnover Basin)	20814
15	Special Ring	20808
16	Spring (Gearmotor Support)	20809
17	Threaded Pivot	20807
18	Evaporator Support Plate Assembly	C221174
19	Front Basin Cover	221205

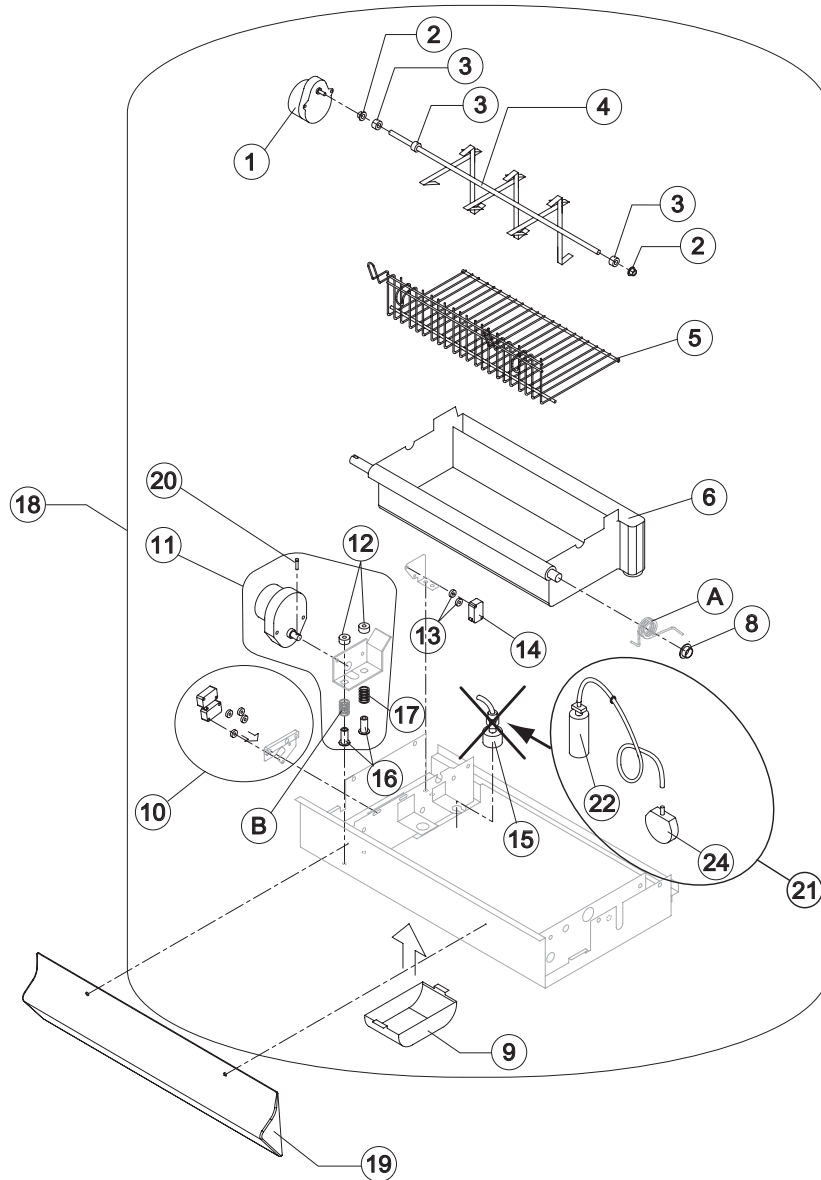
Rev. 8 - 08/06/2015



IMF 28

EVAPORATOR SUPPORT

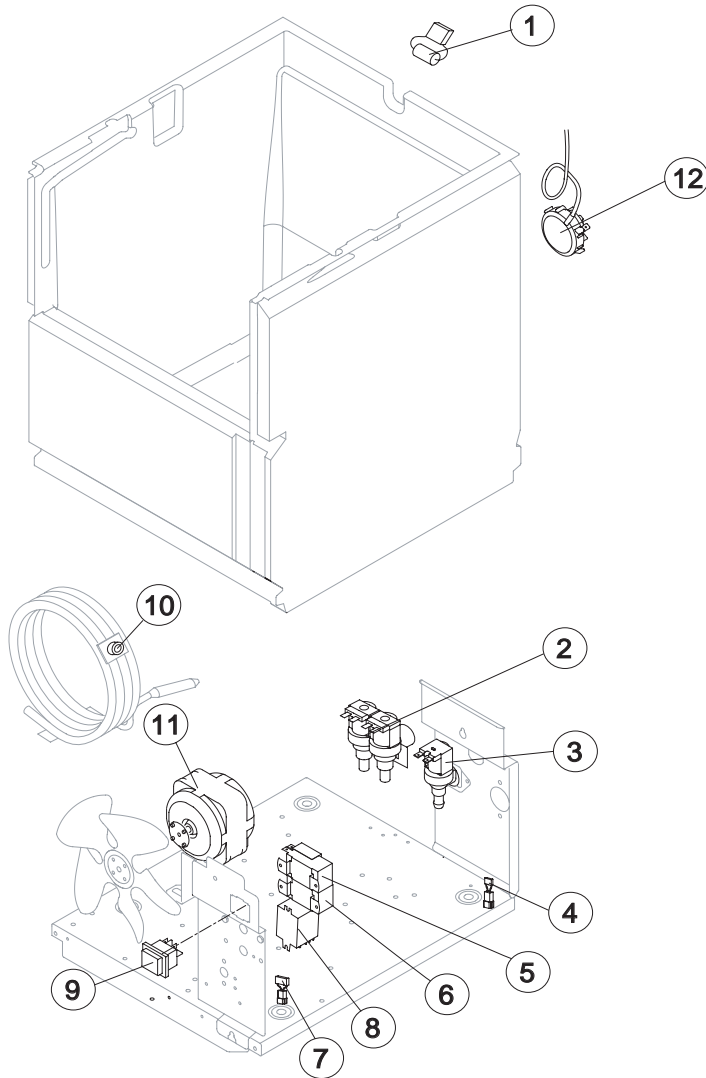
Till s/n. 497154



Ref.	Spare Description	Code
1	Gearmotor (Paddles)	23802
2	Self-Lubricating Bush 06/06	20230
3	Shaft Stop Ring	20227
4	Shaft with Paddles	20812
5	Internal Basin Slide	12073
6	Water Basin with Pivot	C10484
8	Self-Lubricating Bush 12/07	20231
9	Gearmotor (Paddles) Protection	10483
10	2 Microswitches (Basin - NC) Support Assembly	C23803
11	Gearmotor (Turnover Basin) with Support assy	C26742
12	Special Ring	20808
13	Switch Shimming Ring	10250
14	Microswitch (Paddles - NO)	23804
15	Electromagnetic Level Switch	replaced by ref. 21
16	Threaded Pivot	20807
17	Spring (Gearmotor Support)	20809
18	Evaporator Support Plate Assembly	C22048
19	Basin Protection	10508
20	Shaft Pin for Gearmotor (Turnover Basin)	20814
21	Water Level Pressure Switch Assy	KIT23870
22	Air Trap with Pipe	C10537
24	Water Level Pressure Switch	23870



Eliminated the Lightning Spring ref. A and one Gearmotor Support Spring ref. B, suggested removal even from the models where they are present.



Common Parts

Ref.	Spare Description	Code
1*	Capacitor 0,068μF	C23798
4	Anti Radio Interference Filter	C23458
5*	Condenser Pressure Switch	23175
6*	Bin Thermostat	R23005
8*	Relay	23190
9*	Green Light Switch(On-Off)	23327
12*	Water Level Pressure Switch	23870

Parts for Air-Cooled Version Only

Ref.	Spare Description	Code
3*	1 Way- Water Inlet Valve	23001
7	Anti Radio Interference Filter	C23459
11*	Fan Motor	231041

Parts for Water-Cooled Version Only

Ref.	Spare Description	Code
2*	2 Ways- Water Inlet Valve	23010
7	Anti Radio Interference Filter	C23457
10*	Safety Thermostat Switch	C23114