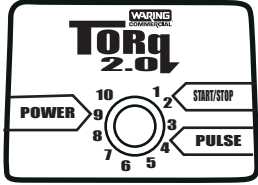


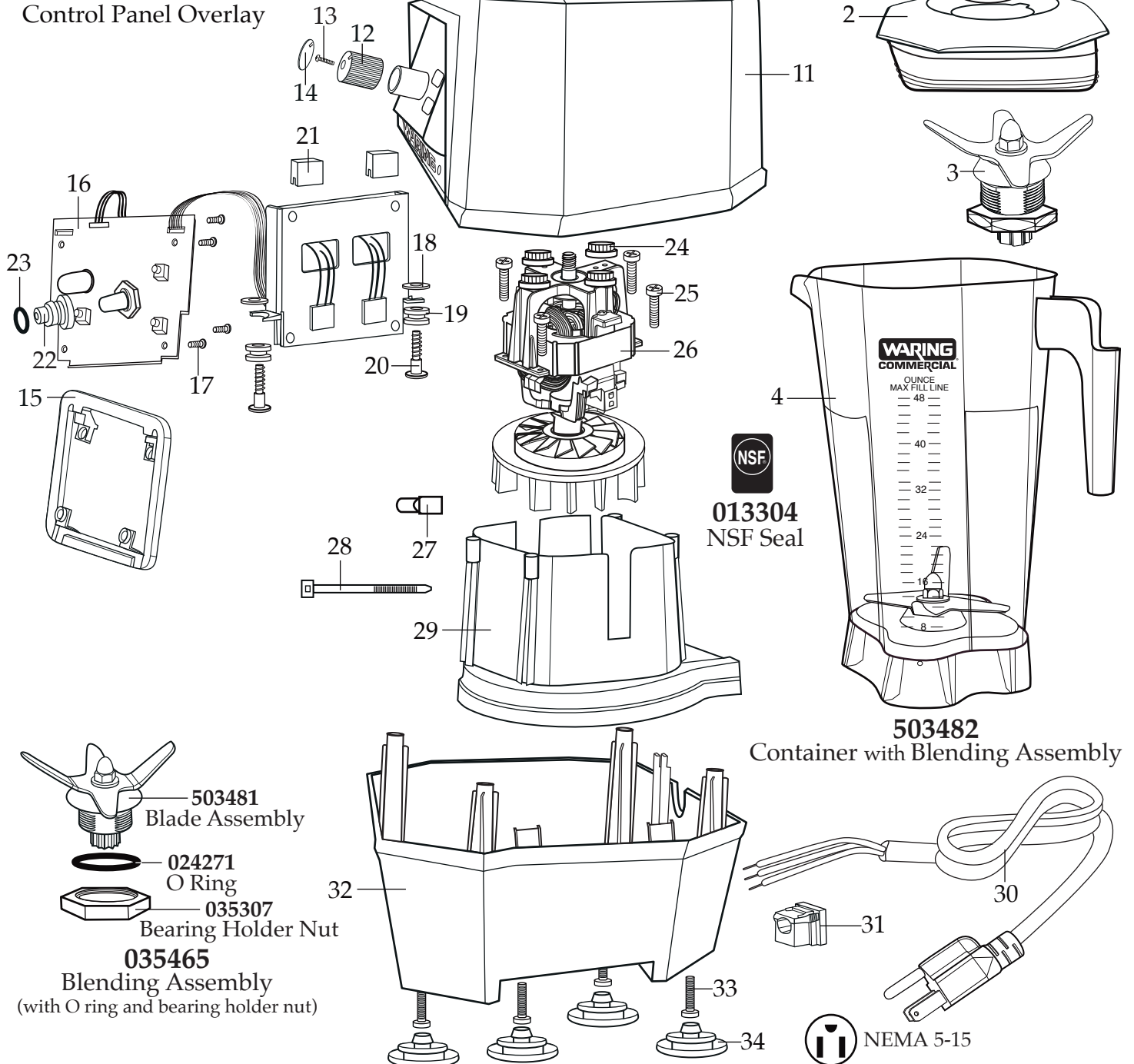
Unit Information

120 volts – 60 Hz – 13 Amp
 Variable Speed From 1,000 to 17,000 Rpm's
 48 oz. Stackable Break Resistant Container
 Limited 2 Year Motor Warranty & 1 Year
 Parts and Labor

WARING COMMERCIAL TORq 2.0 Blender Variable Speed Control **TBB175**



035299
 Control Panel Overlay



503481
 Blade Assembly
024271
 O Ring
035307
 Bearing Holder Nut
035465
 Blending Assembly
 (with O ring and bearing holder nut)

NSF
013304
 NSF Seal

503482
 Container with Blending Assembly



Illustration#	Part#	Description
1	028769-E	Eastman Jar Lid Cover
2	035238-V	Vinyl Jar Lid
3	035465	Blending Assembly (with O ring and bearing holder nut)
4	035239	48 oz. Stackable Container ONLY
5	035885 035091	Jar Pad (<i>changed after 8/2/2018</i>) Jar Pad (use 035885)
6	035085 030859	Hole Plug (4 required <i>on units after 4/13/2018</i>) Hole Plug (4 required)
7	034275	Sems (4 required)
8	034273	B Gasket (4 required)
9	037034 035251	Drive Coupling (<i>on units after 11/15/2019</i>) Drive Coupling
10	037033	Coupling Washer (<i>on units after 11/15/2019</i>)
11	503460-175	Top Housing Assembly
12	036498	Speed Control Knob
13	026267	Screw
14	035757	Disk Control Knob Cover
15	035237 034899-09	Control Housing Back Bezel (<i>on units after 4/14/2018</i>) Control Housing Back Bezel
16	035342 034905	Control Panel (<i>on units after 2/1/2018</i>) TBB175 Control Panel Assembly
17	035090 034903	Screw (4 required <i>on units after 4/14/2018</i>) Screw (4 required)
18	013604	Washer (2 required)
19	034904	Rubber Grommet (2 required)
20	034902	Sems (2 required)
21	034900	PCB Cushion (2 required)
22	036499	Speed Control Knob Insert (<i>on units after 4/14/2018</i>)
23	018389	O Ring (<i>on units after 4/14/2018</i>)
24	034272	A Gasket (4 required)
25	034274	Screw (4 required)
26	034276	ECM Motor /KB500

Illustration#	Part#	Description
27	012409	Small Crimp Connectors (5 required)
28	013731	Cable Ties (6 required <i>on units after 4/18/2018</i> - (2 required)
29	503483	Motor Housing with Dampeners
30	035124 026925	Cordset (<i>on units after 4/14/2018</i>) Cordset
31	033619 007556	Strain Relief (<i>on units after 4/14/2018</i>) Strain Relief
32	035079	Bottom Housing
33	034274	Screw (4 required)
34	035088	Foot (4 required)

