

Varimixer

AR60

MULTIPLE CAPACITIES IN ONE MACHINE

Bowls and tools for production at half volume are available for AR60.

DIGITAL TIMER

Mixing time can be adjusted and monitored on the digital timer. The mixer will stop at 00:00 and signal a beep to notify the operator.

MEAT MINCER AND VEGETABLE CUTTER

Models from AR30 to AR80 can be ordered with an attachment drive, to expand the mixer's potential applications.

MAGNETIC SAFETY GUARD

The front and rear of the guard can easily be removed and washed in a dishwasher. This makes the cleaning of the machine much easier and ensures optimum hygiene.

AUTOMATIC FIXATION

The bowl is wheeled into place between the two bowl arms. Using the handle – or automatically by pressing a button – the bowl is raised, centered and locked in place in a single movement.

EASY BOWL HANDLING

Choose between bowl truck for transport or an electric bowl lift, which handles transport to and from the machine. This also ensures good ergonomics during filling and emptying. Choose between several models.

WHITE OR STAINLESS STEEL

An easy-to-clean design. The AR series is powder coated as standard and can be upgraded to a completely stainless steel frame.

STAINLESS STEEL LEGS

As extra protection against rust, the vertical part of the legs are always made of stainless steel.

STRONG AND EFFECTIVE

The powerful motors have the capacity to handle large quantities of heavy ingredients.

VARIABLE SPEED CONTROL

The speed is variably controlled by a very rugged system of belts, rather than gears. This solution means that the mixer does not contain oil, thus avoiding the risk of oil spilling into the bowl.



PIZZA SPECIAL

AR40 and AR60 are available in a special pizza version with an extra powerful motor that can easily handle 32 and 46 kg pizza dough, respectively, with 50 per cent dry matter.

VARIMIXER AR60 OPTIONS – MODELS



White, powder coated



Stainless steel



Pizza version, white, powder coated



Marine version, stainless steel

OPTIONS – CONTROL PANEL



VL-1 – Manual speed regulation and manual bowl lowering



VL-1S – Automatic speed regulation and automatic bowl lowering

OPTION – SAFETY GUARD WITH GRID



Stainless steel grid guard.
Not CE-certified

OPTIONS – ATTACHMENT DRIVE



Attachment drive for meat mincer and vegetable cutter



Meat mincer, 70 mm



Meat mincer, 82 mm



Vegetable cutter GR20

VARIMIXER AR60 STANDARD TOOLS – A-EQUIPMENT 60L



Whip, hook, beater and bowl 60 liter in stainless steel.

VARIMIXER AR60 STANDARD TOOLS – B-EQUIPMENT 60/30L



Whip, hook, beater and bowl 60/30 liter in stainless steel.

OPTION – TOOLS



Wing whip, stainless steel



Whip with 1 mm thicker wires, stainless steel



Whip with thinner wires, stainless steel



Double pinned hook for pizza



Automatic scraper, stainless steel. Nylon or teflon blade. 60L and 60/30L.



Powder mixer, stainless steel



Whip with reinforcement



Tool rack, 127 cm

EQUIPMENT



Bowl truck



Easylift 30-60



Multilift 30-60



Flexlift Inox

VARIMIXER AR60 STANDARD

White powder coated
1 bowl 60 liter in stainless steel
1 beater in stainless steel
1 hook in stainless steel
1 whip with stainless steel wires
Magnetic removable safety guard – CE-certified
Digital timer and emergency stop
Voltage: 3 ph, 400V, 50 Hz with 0 and ground. 1.850 W

VARIMIXER AR60 STANDARD TECHNICAL DATA

Volume	60 l
Effect	1.850 W
Effect, pizza version	3.000 W
Standard voltage*	400 V
Residual current devices (RCD): Industrial environment Light industry/domestic	PFI type A HPFI type A
Net weight	275 kg
H x W x L	1413 x 648 x 1028 mm
Variable speed	53 – 288 RPM
Phases	3 ph
IP code	IP32

*Other voltage power supply are available upon request in the range of 100 to 480 V.
All standard and marine mixers are available in 50 and 60 Hz.

VARIMIXER AR60 MARINE VERSION

Stainless steel execution, water cover at air ventilation, slotted free screws, full welded stainless steel knees, gasket at the rear plate, gasket at front panel and top cover. Complies with USPHS.

Voltage: 3 ph, 440V, 50-60 Hz with 0 and ground. 1.850 W
3 ph, 480V, 50-60 Hz with 0 and ground. 1.850 W

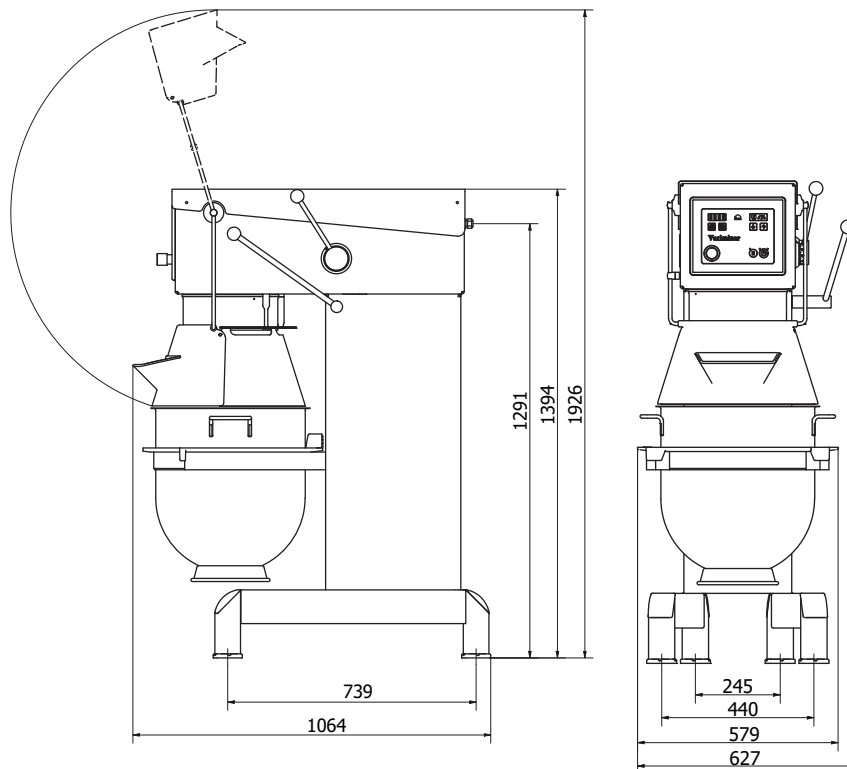
CAPACITIES

	AR60	AR60P
Egg Whites	9.0	9.0 l
Whipped cream	15	15 l
Mayonnaise	48	48 l
Herb butter	45	45 kg
Mashed potatoes	36	36 kg
Bread dough (50% AR)	34	46 kg
Bread dough (60% AR)	44	56 kg
Ciabatta dough (70% AR)	40	50 kg
Muffins	33	33 kg
Layer cake base	15	15 kg
Meatball mix	45	45 kg
Icing	40	40 kg
Doughnut (50% AR)	36	54 kg

CERTIFICATIONS



DIMENSIONS



Varimixer

Varimixer A/S
Kirkebjerg Søpark 6
DK-2605 Brøndby
P: +45 4344 2288
E: info@varimixer.com
www.varimixer.com