

Installation on top of the table

Drop-in bowl dispenser THSG.02

Dimensions:

A x B = flange

E x F = cut out tube

l x b = tube internal

H = build in height

G = flange height

S = effective stacking height

p x q = operating panel

c = build in depth operating panel

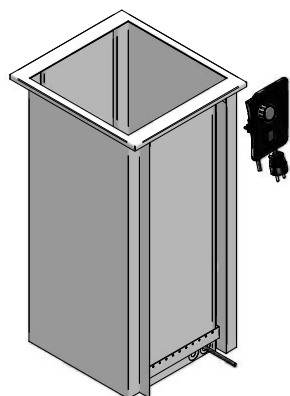
y x z = cut out operating panel

m x n = screw-hole centres operating panel

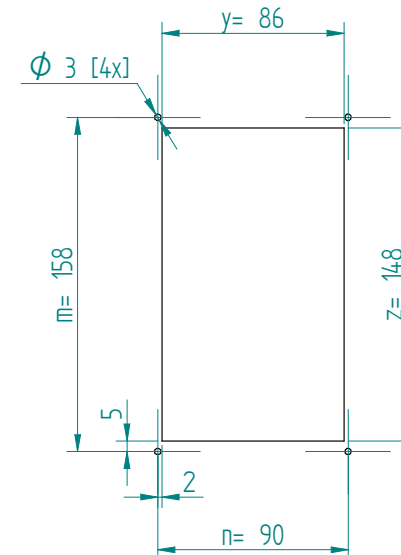
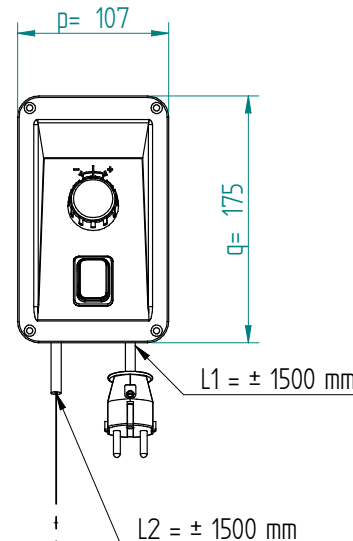
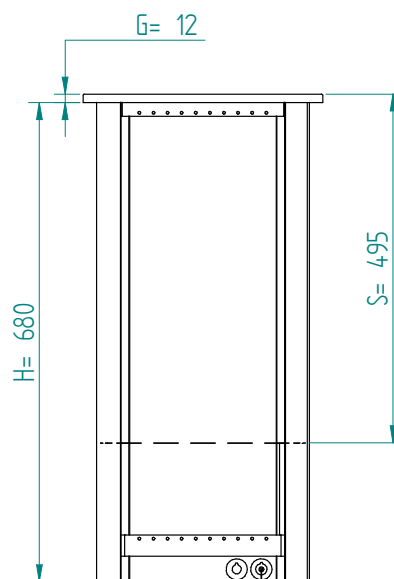
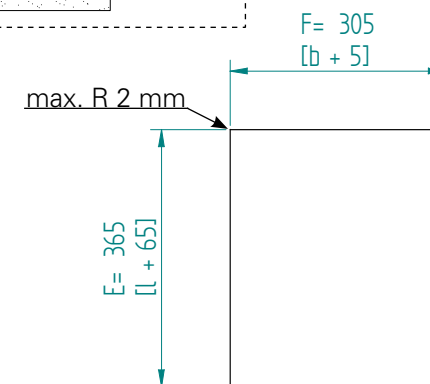
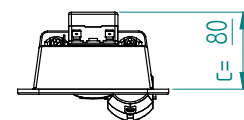
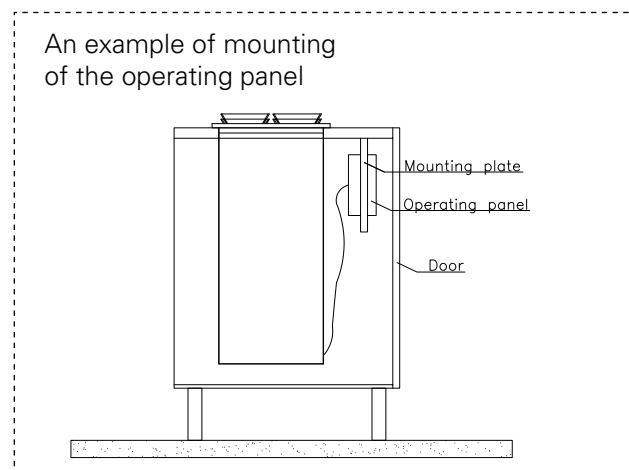
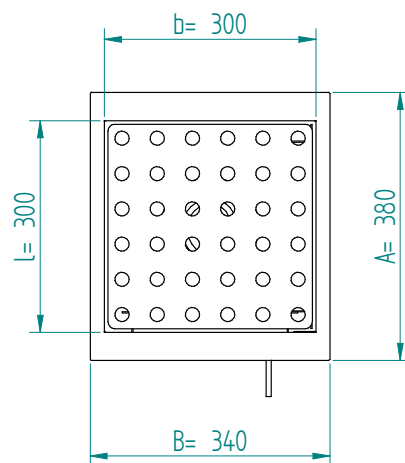
heating element 230V, 400W, 10A

weight (empty): 15 kg

The counter, where drop-in units are installed, must be damp-proof and strong enough to bear the appliance weight.



When constructing the counter, an opening for the connection cable must be considered. The opening must be at least the size of a plug (diameter min. 40 mm). In addition, the edges of the opening must be finished to make sure that the connection cable is not damaged by rubbing against the opening edge.



L1 = length cable with plug

L2 = length cable between tube and operating panel