

TEMPTECH

Wine Coolers USER MANUAL

OZ60SB	OZ60DB
OZ60DX	OZ60DW
OZ90DB	OZ90DX
OZ90DW	OZ124SB
OZ124DB	

NOTE: This User Instruction Manual contains important information, including safety & installation points, which will enable you to get the most out of your appliance. Please keep it in a safe place so that it is easily available for future reference, for you or any person not familiar with the operation of the appliance.

--CONTENTS--

04	Conformity
04	Energy Saving
04	Service
05	DESCRIPTION OF APPLIANCE
05	Product Features
07	Control Panel
08	Interior light
09	The Wine Cooler shelves
09	USING YOUR WINE COOLER
09	Before Switching On
10	During First Use
10	Locking/Unlocking The Control Panel
10	Setting The Temperature Range
11	Setting The Temperature
12	Power On/ Off And Standby
12	The Interior Light
12	Switch °C/°F
13	Lighting On/Off Buttons Backlit And Display Window
13	Power Saving Mode of Display Window
13	Overheating Warning
14	Error Code
14	Display Actual/Set Temperature
14	Loading The Wine Cooler
17	Storing Your Wines
18	Wine Storage Problems
19	INSTALLATION
19	Electrical Connection
20	Positioning
21	Built-In Installation
24	Installing The Handle
24	Reversing The Door Of Your Wine Cooler
29	CLEANING AND MAINTENANCE
29	Cleaning The Wine Cooler
30	Removing The Shelves For Cleaning
30	Carbon Filter Change
30	Moving Your Wine Cooler
30	Power Failure
31	Vacation Time
31	Disconnecting From Power
33	TROUBLESHOOTING

SAFETY INFORMATION

This appliance uses flammable refrigerants and flammable insulation blowing gases. Before using the appliance, please properly position and install it as described in this manual. To avoid the risk of fire, electrical shock, or injury when using the appliance, follow these basic precautions:

- This appliance is for domestic purposes and is intended to be used exclusively for the storage of sealed bottled wines.
- The appliance must be positioned so that the plug is accessible.
- Make sure the voltage/current marked on the rating label corresponds with your supply voltage. Plug into a grounded 3-pin outlet, do not remove grounding pin, do not use an adapter, and do not use an extension cord.
- Do not connect or disconnect the electric plug with wet hands.
- To disconnect the appliance, grip the plug and pull it from the wall outlet. Never pull out by the cord.
- It is recommended that a separate circuit, serving only your appliance be provided.
- Unplug the appliance or disconnect power before cleaning, maintenance or servicing. Failure to do so can result in electrical shock or death.
- If the supply cord is damaged, it must be replaced by the manufacturer or its service agent or a similarly qualified person in order to avoid a hazard.
- The fuse (or circuit breaker) size should be 10 amps or higher.
- To ensure proper ventilation for the appliance, the front of the unit must be completely unobstructed. Locate the unit away from direct sunlight and sources of heat (stove, heater, radiator, etc.).
- Do not attempt to repair or replace any part of the appliance unless it is specially recommended in this manual. All other servicing should be referred to a qualified technician.
- Ensure enough peoples to move and install the appliance to avoid any damage to the appliance or injury to the peoples.
- It is important for the appliance to be leveled in order to work properly. You may adjust the appliance's feet to level it.
- Never clean the appliance parts with flammable fluids which may create a re hazard or explosion. And do not store or use gasoline or other flammable apors and liquids in the vicinity of the appliance.
- Do not use solvent-based cleaning agents of abrasives on the interior.

These cleaners may damage or discolor the interior.

- Do not use this appliance for other than its intended purpose.
- Do not store explosive substances such as aerosol cans with a flammable propellant in this appliance.
- The use of attachments not recommended by the manufacturer may be hazardous.
- Please keep the products away from the fire or similar glowing substance before you dispose the appliance.
- GWP(Global Warming Potential): $R600a=3$
- When you dispose the appliance, take o the door and leave the shelves in place so that children may not easily climb inside. And make sure the coolant circuit, particularly the heat exchanger at the back/bottom of the unit is not be damaged.
- The recycle symbol on the product or its packaging indicates that this product is not to be handled as normal household waste and it is to be taken to a recycling collection point for electrical and electronic goods.
- This appliance can be used by children aged from 8 years and above and persons with reduced physical, sensory or mental capabilities or lack of experience and knowledge if they have been given supervision or instruction concerning use of the appliance in a safe way and understand the hazards involved. Children shall not play with the appliance. Cleaning and user maintenance shall not be made by children without supervision.
- This appliance is not intended for use by persons (including children) with reduced physical, sensory or mental capabilities, or lack of experience and knowledge, unless they have been given supervision or instruction concerning use of the appliance by a person responsible for their safety.
- Children aged from 3 to 8 years are allowed to load and unload refrigerating appliances.
- This appliance is intended to be used in household and similar applications such as:
 - 1.staff kitchen areas in shops, offices and other working environments;
 2. farm houses and by clients in hotels, motels and other residential type environments;
 - 3.bed and breakfast type environments;
 - 4.catering and similar non-retail applications

- **WARNING:** Keep ventilation openings, in the appliance enclosure or in the built-in structure, clear of obstruction.
- **WARNING:** Do not use mechanical devices or other means to accelerate the defrosting process, other than those recommended by the manufacturer.
- **WARNING:** Do not damage the refrigerant circuit.
- **WARNING:** Do not use electrical appliances inside the food storage compartments of the appliance, unless they are of the type recommended by the manufacturer.
- **WARNING:** When positioning the appliance, ensure the supply cord is not trapped or damaged.
- **WARNING:** Do not locate multiple portable socket- outlets or portable power suppliers at the rear of the appliance.
- **WARNING:** To avoid a hazard due to instability of the appliance, it must be fixed in accordance with the instructions

basis, as long as the equipment is of equivalent type and has the same functions as the supplied equipment.

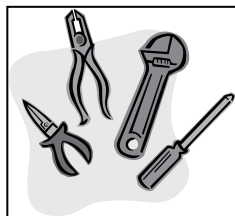
■ Conformity

By placing the **CE** marking on this product, we declare, on our own responsibility, compliance to all of European safety ,health and environmental requirements stated in the legislation for this product.

■ Energy Saving

- Always ensure good ventilation. Do not cover ventilation opening or grille.
- Always keep fan louvers clear.
- Do not place appliance in areas of direct sunlight or close to a stove, heater or similar object.
- Open or keep the doors open as little as possible
- Remove dust present on the rear of the appliance

■ Service



- You should not attempt to repair the appliance yourself, as this could cause injury or a more serious malfunction. If you require a service call then please contact the Customer Care Department

DESCRIPTION OF APPLIANCE

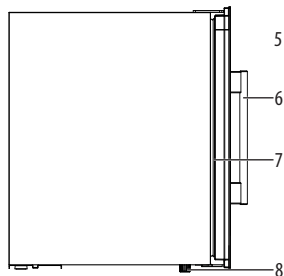
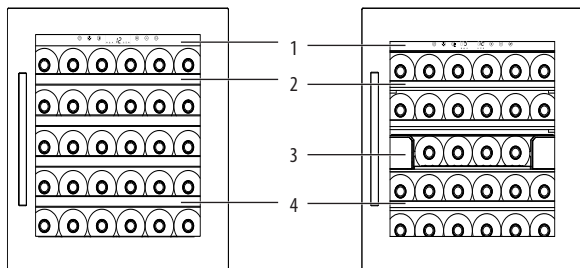
■ Product Features

OZ60SB OZ60DB OZ60DX OZ60DW

Single Zone **30** Bottles

Dual Zone **28** Bottles

Single & Dual Zone



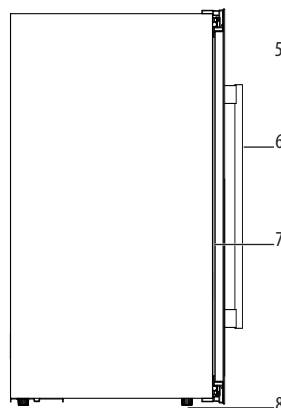
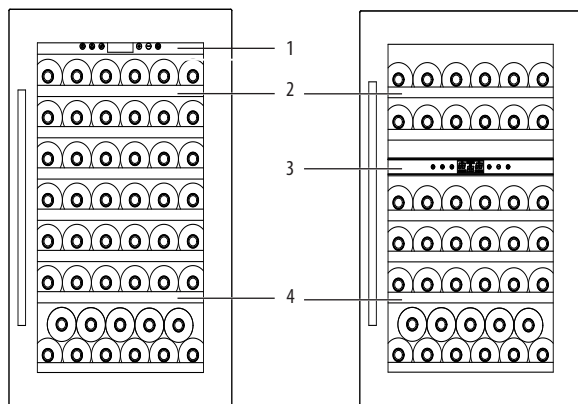
1	Control Panel	5	Glass Door
2	Beech Shelves (Long)	6	Handle
3	Separator (Dual Zone)	7	Gasket
4	Beech Shelves (Short)	8	Feet

OZ90SB OZ90DB OZ90DX OZ90DW

Single Zone **47** Bottles

Dual Zone **41** Bottles

Single & Dual Zone



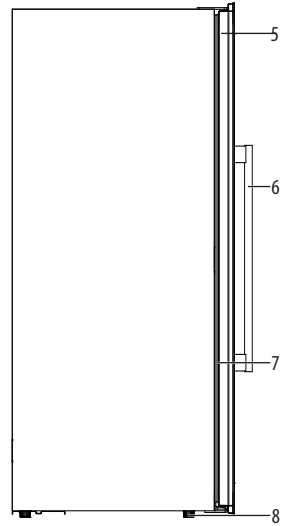
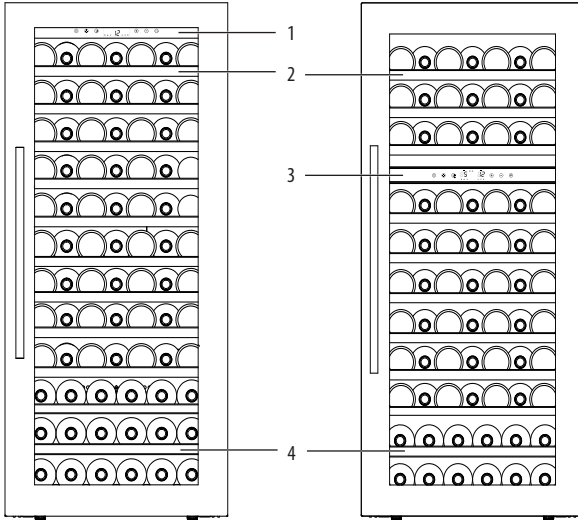
1	Control Panel(Single Zone)	5	Glass Door
2	Beech Shelves (Long)	6	Handle
3	Separator (Dual Zone)	7	Gasket
4	Beech Shelves (Short)	8	Feet

OZ124SB OZ124DB

Single Zone **81** Bottles

Dual Zone **74** Bottles

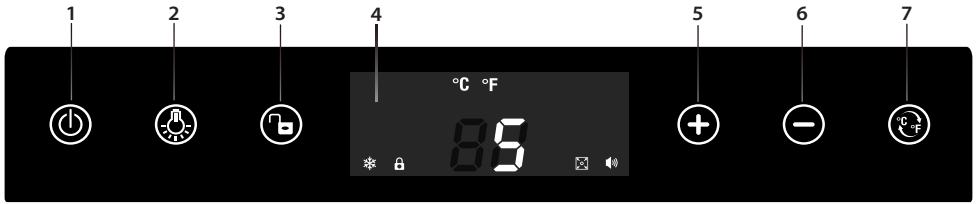
Single & Dual Zone



1	Control Panel (Single Zone)	5	Glass Door
2	Beech Shelves (Long)	6	Handle
3	Control Panel (Dual Zone)	7	Gasket
4	Beech Shelves (Short)	8	Feet

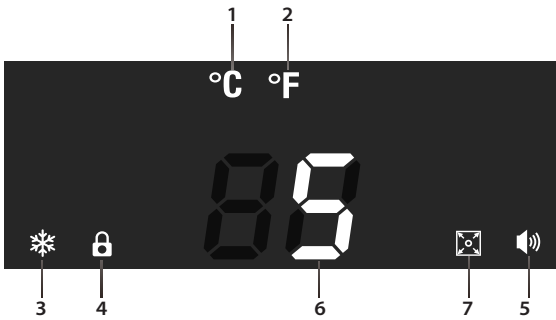
■ Control Panel

Buttons on Control Panel: Single Zone



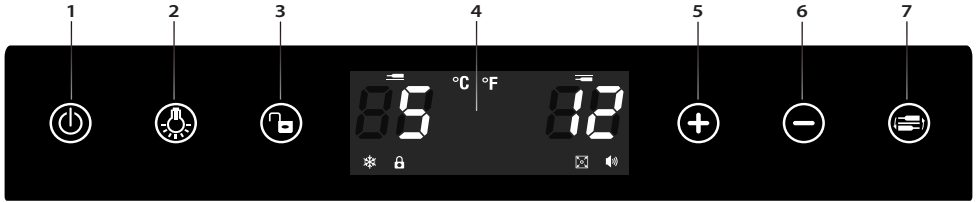
1		Power	5		Temp.Plus
2		Light	6		Temp.Minus
3		Lock	7		°C/°F Switch
2+6		Temp. Display Mode			
4	Display Window				

Marks on Display Window



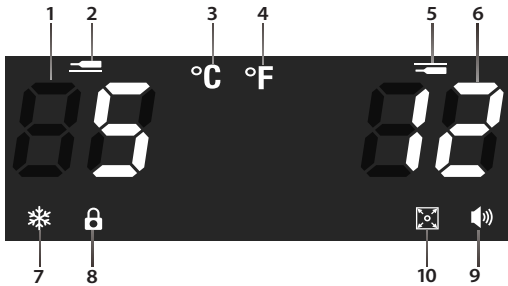
1	°C	°C	5		Warning
2	°F	°F	6		Digital
3		Compressor	7		Screen on
4		Lock			

Buttons on Control Panel: Dual Zone



1		Power	5		Temp.Plus
2		Light	6		Temp.Minus
2+6		Temp. Display Mode	5+6		°C/°F Switch
3		Lock	7		Temp.Zone Select
4	Display Window				

Marks on Display Window



1		Digital On Upper Zone	7		Compressor
2		Upper Zone	8		Lock
3		°C	9		Warning
4		°F	10		Screen
5		Lower Zone			
6		Digital On Lower Zone			

■ Interior light

Note: This LED light has a long lifetime. Once it is broken, it is mandatory to call aftersales center to get a new one.

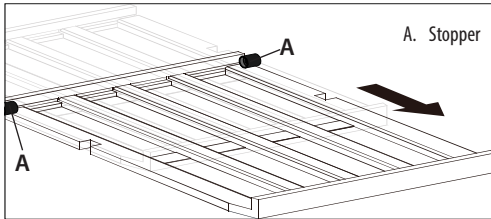
A replacement made by unqualified people without supervision from an electrical engineer would result in electrical shock and injury.

o The cooling zone has an interior light. The light can be switched on and off by using the light button.

■ The Wine Cooler shelves

o To prevent damaging the door gasket, make sure the door is fully open when pulling shelves out of the rail compartment.

o For easy access to the bottles stored, pull the shelves out approximately 1/3 of the way.



o For a model without telescopic rails, 2 plastic Stoppers of each shelf is on left and right side of the interior cabinet to prevent the shelf from falling out.

USING YOUR WINE COOLER

■ Before Switching On

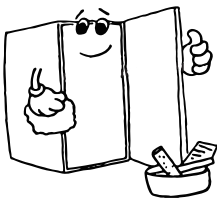
o Make sure that it has been installed by a suitably qualified person, as per the information contained in the installation instructions.

o After delivery, wait for eight hours before connecting the appliance to your mains supply. This will allow any refrigerant gasses that may have been disturbed during the transportation process to settle.

o The outside of the appliance and the removable accessories contained within it, should be cleaned with a solution of liquid detergent and water.

o The interior of the appliance should be cleaned with a solution of sodium bicarbonate dissolved in lukewarm water. The interior and accessories should be thoroughly dried, after the cleaning process has been completed.

o There can be an odour when you first switch on the appliance. It will lessen as the appliance starts to cool.




■ During First Use


IMPORTANT: When you use the Wine Cooler for the first time or restart the appliance after it has been turned off for a long time, there could be a few degrees variance between the temperature you set and the one indicated on the LED display (If it is set to display Actual Temperature). This is normal and it is due to the length of activation time. Once the Wine Cooler has been running for a few hours everything will be back to normal.

- When you first switch on the appliance, the compressor will run continuously until the Wine Cooler reaches a cool enough temperature.
- During this period of time, you should try not to open the door frequently or place bottles inside of the appliance.
- If the unit is switched off or unplugged, you must allow at least **5 minutes** before restarting the appliance or reconnecting it to your mains supply.

■ Locking/Unlocking The Control Panel

○ To unlock the control panel, press the lock button **3 seconds**, the lock mark  on the screen will be light off with a beep sounded;



○ To lock the control panel, press the lock button for **3 seconds** again, the lock mark  on the screen will be light on with a beep sounded;



- Note: System will be in unlocking state by default once the appliance is powered up and energized. Indicator LED9 lights when system is locked. System has no automatic locking and no automatic memory either.

■ Setting The Temperature Range

Single Zone

○ The appliance is with 1 temperature range, the range of Single Zone is **5-20 °C (41-68 °F)**.

○ Includes model OZ60SB and OZ124SB

Dual Zone

○ OZ60DB, OZ60DX and OZ60DW are with 1 temperature range, the range of both Upper Zone and Lower Zone is **5-20 °C (41-68 °F)**.

○ OZ90DB, OZ90DX, OZ90DW and OZ124DB are with 2 temperature ranges, the range of Upper Zone is **5-12°C (41-54 °F)** and **12-20 °C 54-68 °F** for lower Zone.

■ Setting The Temperature

Single Zone

o Make sure the Control Panel is under **unlocked** condition;

o The digital **88** will start to flash and show the previous set temperature for the first press of Temperature Plus or Minus button;



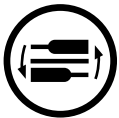
o When the digital is flashing, press the Temperature Plus Button once, the digital **88** will be increased by 1°C/1°F with a sound of beep;



o When the digital **88** is flashing, press the Temperature Minus Button once, the set temperature will be decreased by 1°C/1°F with a sound of beep;

o When the digital shows the desired temperature, leave all buttons no touching about **5 seconds**, your setting will be saved with a sound of beep, the digital **88** will not flash and start to show the set temperature inside of the cabinet .

Dual Zone



o Make sure the Control Panel is under **unlocked** condition, press the Temp. Zone Button to select Upper Zone or Lower Zone, the digital **88** on the Upper Zone or Lower Zone selected will start to flash;

o The digital **88** will show the previous set temperature for the first press of Temperature Plus or Minus button;



o When the digital **88** is flashing, press the Temperature Plus Button once, the digital will be increased by 1°C/1°F with a sound of beep.




o When the digital **88** is flashing, press the Temperature Minus Button once, the set temperature will be decreased by 1°C/1°F with a sound of beep.

o When the digital shows the desired temperature, leave all buttons no touching about **5 seconds**, your setting will be saved with a sound of beep, the digital **88** will not flash and start to show the set temperature inside of the cabinet .



■ Power On/ Off And Standby



- o The appliance will be turned on automatically when it is plugged;
- o The appliance will not be turned off unless to unplug it;
- o To stop all functions, press the power button for **3 seconds** whatever the control panel is locked or unlocked, a beep will sound, the appliance will be on standby condition;
- o During the standby condition, the button  will light on and flash once each 2 seconds;
- o To restart all functions, press the power button for **3 seconds** again whatever the control panel is locked or unlocked, a beep will sound.

■ The Interior Light




- o The Interior Light can be turned on/off gradually alone by pressing the Light button  whatever the control panel is locked or unlocked;
- o The Interior Light can be turned on/off gradually alone by pressing the Light button  whatever the door is open or close;

■ Switch °C/°F

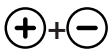
- o The appliance is with two temperature scales: °C (Celsius) and °F (Fahrenheit) to indicate temperature, the default is °C (Celsius).

Single Zone

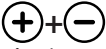


- o To switch °C to °F, press the button  once, the mark **°F** will light on on the display window, the mark **°C** will light off at the same time;
- o The button can be pressed whatever the control panel is locked or unlocked;
- o Your setting will be saved as new default temperature scale unless to re-set it.

Dual Zone




- o To switch °C to °F, make sure the control panel is under **locked** condition;

- o Press the temp.plus and minus button  together for **3 seconds**, the mark °F will light on on the display window, the mark °C will light off at the same time;
- o The button can be pressed whatever the control panel is locked or unlocked;
- o Your setting will be saved as new default temperature scale unless to re-set it.



■ Lighting On/Off Buttons Backlit And Display Window

- o All buttons backlit will light on when plugged;
- o All buttons backlit except the Power button will light off automatically if no more touching on the Control Panel within 15 seconds from the final operation;
- o If the Display Window is set to Power Saving Mode, the window will be light off automatically if no more touching on the Control Panel within 60 seconds from the final operation;
- o All buttons backlit will light on with a sound of beep if any pressing on any buttons except the appliance is on standby condition;
- o If the Display Window is set to Power Saving Mode, it will light on with a sound of beep if any pressing on any buttons;

■ Power Saving Mode of Display Window

- o The Display Window is with Power Saving Mode, the default mode is "off", the Screen mark  will light on to indicate the Display Window will light on always;




- o To turn on the Power Saving mode, make sure the control panel is under **locked** condition;
- o Press the light button  for **3 seconds**, a beep will sound, the Screen mark  will light off to indicate the Display Window is on Power Saving Mode;
- o Your setting will be saved as new default mode unless to re-set it.

■ Overheating Warning




- o The Overheating Warning will be activated automatically when the temperature in cabinet goes up to more than 25°C(77°F) included and last for more than **3 hours**, at the same time, the buzzer alarm will sound loudly, the lighting inside will

flash, the Warning mark  will light on, the digital **88** will show 25°C or 77°F and flash once each 2 seconds, in such case, pls.call your local after-sale service immediately;


o The Overheating Warning will be turned off automatically when the temperature in cabinet goes down less than 25°C(77°F) and last for more than **2 minutes**;

■ Error Code

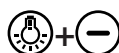
00

o If the Error Code **00** shown on Display Window, it indicates the "Open Circuit" of Temp. Sensor happened, the buzzer alarm will sound loudly, the Warning mark  will light on, in such case, pls.call your local after-sale service immediately to replace the Temp.Sensor;

88

o If the Erros Code **88** shown on display window, it indicates the "Short Circuit "of Temp. Sensor happened, the buzzer alarm will sound loudly, the Warning mark  will light on, in such case, pls.call your local after-sale service immediately to replace the Temp.Sensor;



■ Display Actual/Set Temperature



o The appliance is with two temp. display modes, the default is to display **Set Temperature**, the digital will show **00**;

o To switch the mode to display **Acutal Temperature**, make sure the Control Panel is under **Locked** condition;

o Press the Light and Minus buttons  together for **2 seconds**, the digital will show the current mode **00** after 3 beeps sounded;

o Press the Minus button  once, the digital will show **00** or **00** in loop, leave the digital **00** for 5 seconds without any more pressing on any buttons (or press any other buttons except the Minus button  immediately), with two beeps sounded, your setting will be saved as the new default mode, the appliance will start to display the **Actual Temperature**.

■ Loading The Wine Cooler

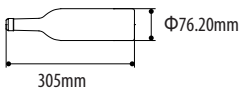


IMPORTANT: Your appliance is ideally suited to store 0.75 litre Bordeaux style wine bottles. You must make sure that they do not prevent the door from shutting properly.

- o Always check that you can close the door without it fouling on a wine bottle, before shutting it.

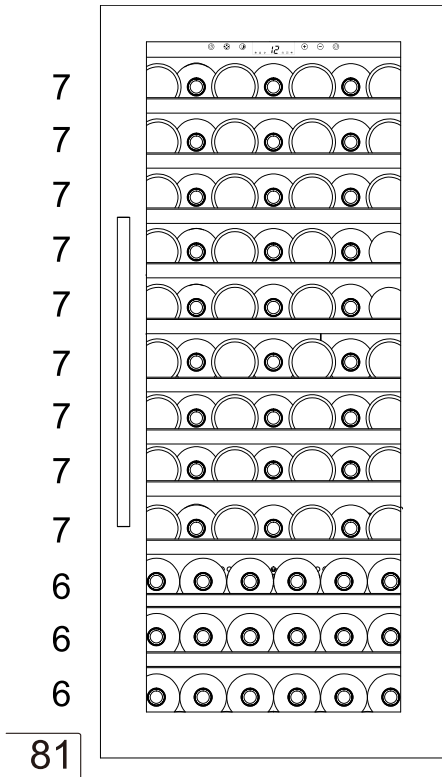
- o When loading several bottles of wine at once, it will take longer for the appliance to cool the individual bottles.

750ml Bordeaux

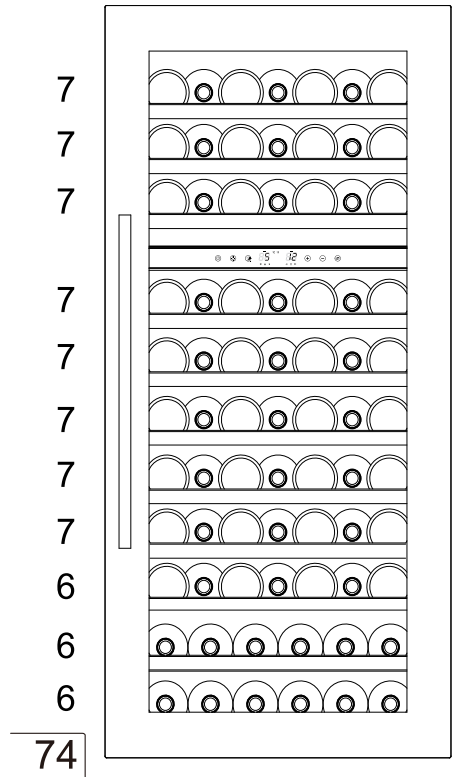


- o As many bottles may differ in size and dimensions, the actual number of bottles you are able to store may vary. The maximum storage number is based on standard 0.75 litre Bordeaux style wine bottles.

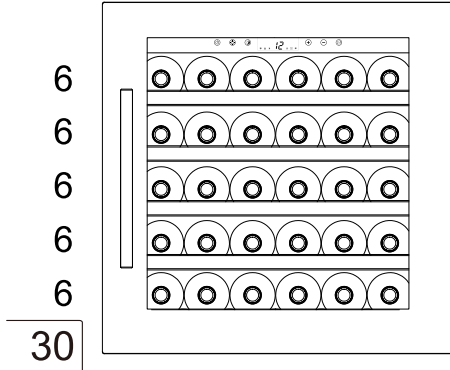
230L Single Zone



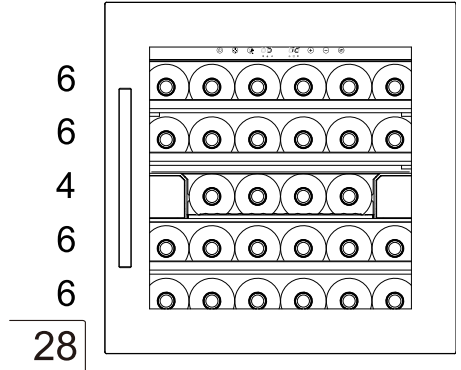
Dual Zone



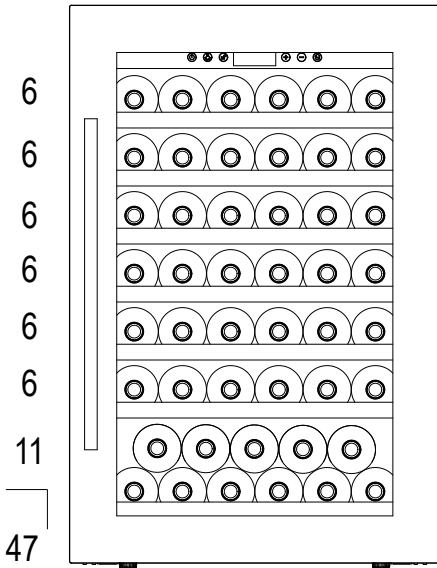
OZ60SB



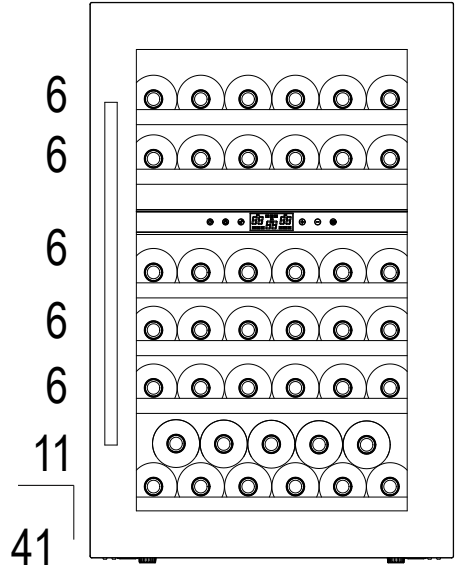
OZ60DB OZ60DX OZ60DW



OZ90SB



OZ90DB OZ90DX OZ90DW



■ Storing Your Wines

The chart below indicates the ideal storage temperatures for different types of wine:

Type of wine	Temperature 'Celsius'	Temperature 'Fahrenheit'
Red wine (*)	15.5 – 18.5°C	59.9 – 65.3°F
White wine (**)	10 - 15°C	50 – 59°F
Sparkling wines/ Champagne	7.2 – 9.5°C	45 – 49.1°F
Rose wine	9.5 – 10.5°C	49.1 – 50.9°F
Vintage wine	13°C	55°F

* Light red wines, such as Beaujolais, Pinot Noir and Cabernet Franc benefit from being served slightly cooler than full-bodied reds.

** Chardonnay is often served too cold. You should chill it at a warmer temperature inside of your Wine Cooler. Or leave it to warm slightly when you remove it from your Wine Cooler.

o Temperature stability is the most important factor when it comes to storing wine.

o Exposure to light, vibrations or fluctuations in temperature and humidity can all cause wine to spoil. When properly stored, wines not only maintain their quality but many will actually improve in aroma, flavour and complexity as they mature.

o Wines kept at a higher temperature will age faster. Wine that is exposed to temperatures that are greater than 21°C (70°F) will suffer from poorer flavour and aroma.

o If wine is kept at too low a temperature, this can result in the development of harmful deposits. A humidity of 70% is ideal for keeping corks from shrinking.

o After a bottle of wine has been opened, the wine comes into contact with air. So it is best to store the remainder of the bottle upright, to minimize the surface area of the wine that is coming into contact with the air.

o Once opened, wine will remain in a drinkable condition for two days for delicate whites or three days for rich reds, as long as the bottle has been resealed. You should make sure that the seal is firm by checking the stopper.

o Special stoppers that keep wine sparkling and Champagne bubbling for one or two days after opening, can be bought at most good wine shops.

- o When stored correctly, white wines can keep well for up to two years. Full bodied reds will age well for ten years and dessert wines will age well for up to twenty years.
- o When you buy a bottle of wine, you should transfer it to a suitable storage location immediately (if you are not going to store it in your Wine Cooler).
- o Cheaper bottles of wine will not age as well as more expensive ones.
- o To make the most of the bouquet and taste of your wine, never fill more than half a glass at a time. It will also help if the shape of your wine glass is appropriate for your wine. The size and shape of your wine glass's bowl will determine the intensity and complexity of the bouquet. The stem should be long enough to allow you to avoid hand contact with the bowl of the glass and should be tulip-shaped or tapered at the top.

■ Wine Storage Problems

Corking- a tiny percentage of bottled wine (about 1%) will suffer from this. The cork reacts with the wine and gives it a musty, unpleasant taste. It is the most common wine storage problem and is caused by harmless bacteria growing on the cork. As unfortunate as this is, there is nothing to do but to discard all of the wine in the affected bottle. This is not to be confused with small fragments of cork floating in the wine itself, which will not impair the flavour.

Oxidisation- when wine has been opened and left for longer than a day; it tends to lose its aroma and colour, giving an overall flat taste. The only way to avoid this, is to either drink the wine on the same day it was opened or to use a vacuum device specially designed for removing oxygen from opened wine bottles. If you use such a device, the wine should still be consumed shortly afterwards.

Ullage- this is loss of wine from the bottle by evaporation or leakage. Signs of ullage include wine seeping around the cork, a protruding cork or a stained label. It can happen if the bottle has been allowed to get too warm. The wine may still be drinkable, if the leakage was recent; however, you should be aware that if the wine cools down again, contraction can cause more air to be sucked into the bottle and result in further deterioration.

Slight effervescence in still wine- this isn't really a problem with the way the wine has been stored, but as a result of incomplete malolactic fermentation before the wine was bottled. A good way to get rid of the effervescence is to let the wine breathe. Alternatively you can use a bottle vacuum device, after about five minutes the effervescence will vanish.

Sediment- this is not normally a problem, however both red and white wines can produce sediment after a number of months in a bottle. The sediment

consists of tartrate crystals and is totally harmless. If anything the building of sediment can be considered a good sign because it means that the wine was not subjected to much (if any) filtering, meaning that the flavours and aromas should be preserved better.

A good way to get around sediment (if it is a problem) is to stand the bottle upright, the day before opening, so that the sediment can settle to the bottom of the bottle.

You can also decant your wine; decanting will “open up” the flavour of both young and old wines, but younger wines in particular. To decant, pour the wine slowly and evenly into your decanter.

Note

-If the wine cooler is left empty for long periods, switch off, defrost, clean, dry, and leave the door open to prevent mould developing within the appliance.

-Pay attention to the recommended/preferable storage time of the wines you bought.

-Opening the door for long periods can cause a significant increase of the temperature in the compartments of the appliance.

INSTALLATION

IMPORTANT: Before installation and usage read all the instructions and make sure that the voltage (V) and the frequency (Hz) indicated on the rating plate are exactly the same as the voltage and frequency in your home. The rating plate can be found on the front left edge of the inside of the Wine Cooler.

The manufacturer declines all responsibility in the event of the installer failing to observe all the accident prevention regulations in force, which are necessary for normal use and the regular operation of the electric system.

■ Electrical Connection



YOUR Wine Cooler IS INTENDED FOR FITTED AND PERMANENT INSTALLATION.

We recommend that the appliance is connected by a qualified electrician, who is a member of the N.I.C.E.I.C. and who will comply with the I.E.E. and local regulations.

■ Positioning

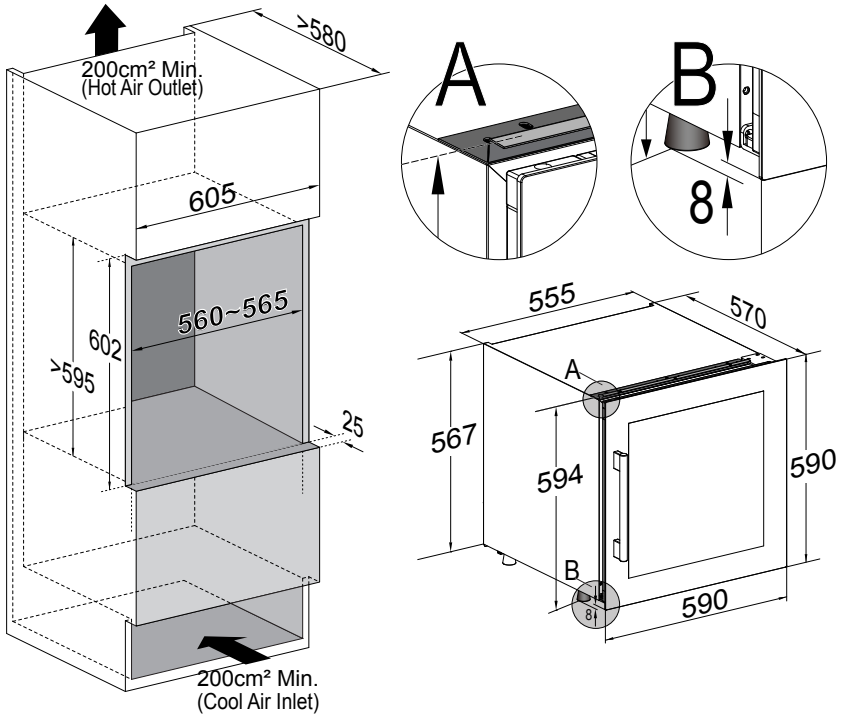
o It is advisable that your appliance is only installed in a location where the ambient temperature of the room, corresponds with the climate classification that is stated on the rating plate of your appliance. Your appliance may not function correctly if the ambient temperature falls outside of the following ranges.

Climate classification	Appropriate ambient temperature
SN	10 - 32 °C (50°F-90°F)
N	16 - 32 °C (61°F-90°F)
ST	16 - 38 °C (61°F-100°F)
T	16 - 43 °C (61°F-109°F)

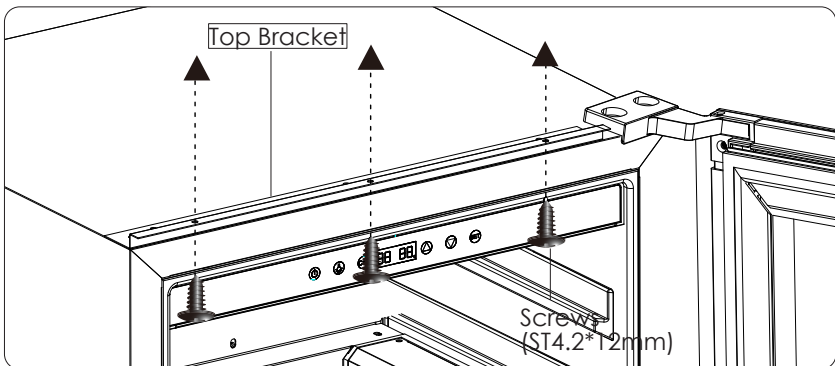
- o Positioning the appliance requires two people in order to avoid injuries or damage to the appliance.
- o Your appliance should not be located in direct sunlight or exposed to continuous heat or extremes of temperature (e.g. next to a radiator or boiler). If this is not feasible, then you should install an insulation plate between the appliance and the adjacent heat source.
- o You should check whether there is an electrical socket available, which will be accessible after your appliance is installed.
- o Place the appliance flatly and firmly on a solid base.
- o Anything positioned above the appliance must be at least 10 cm away to allow sufficient cooling of the condenser. You must allow a 5 cm gap to the rear and either side of the appliance.
- o Be sure to leave enough space for the opening of the door, to avoid damage to the appliance or personal injury.

■ Built-In Installation

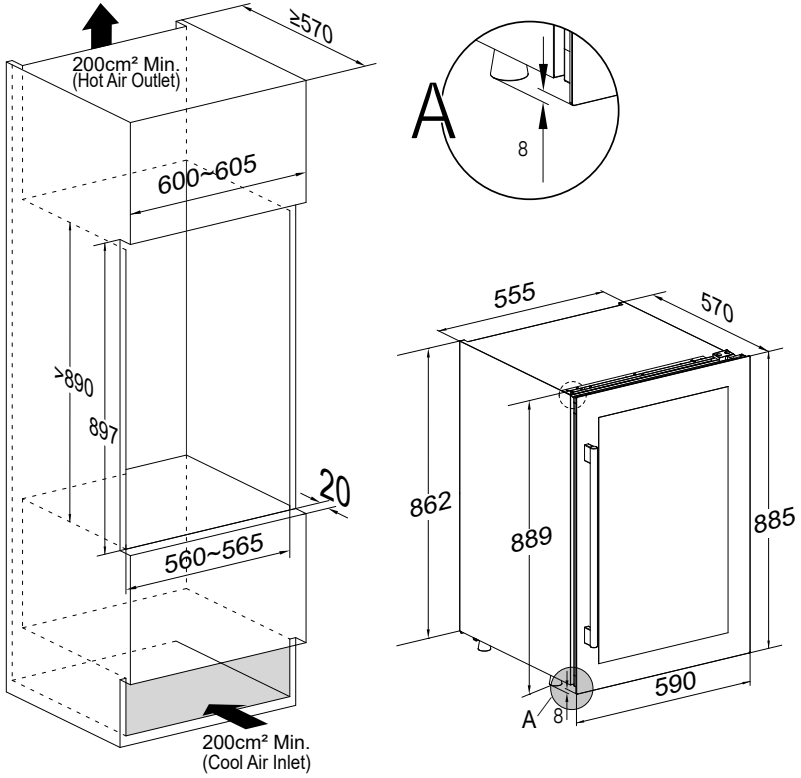
OZ60SB OZ60DB OZ60DX OZ60DW



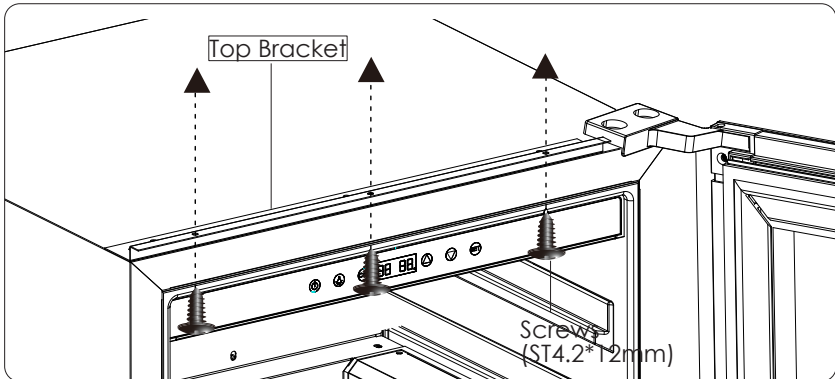
To fix the appliance with Cabinet, pls. screw the 3 screws (ST4.2*12mm) through the Top Bracket. The Top Bracket is pre-installed on top of appliance.



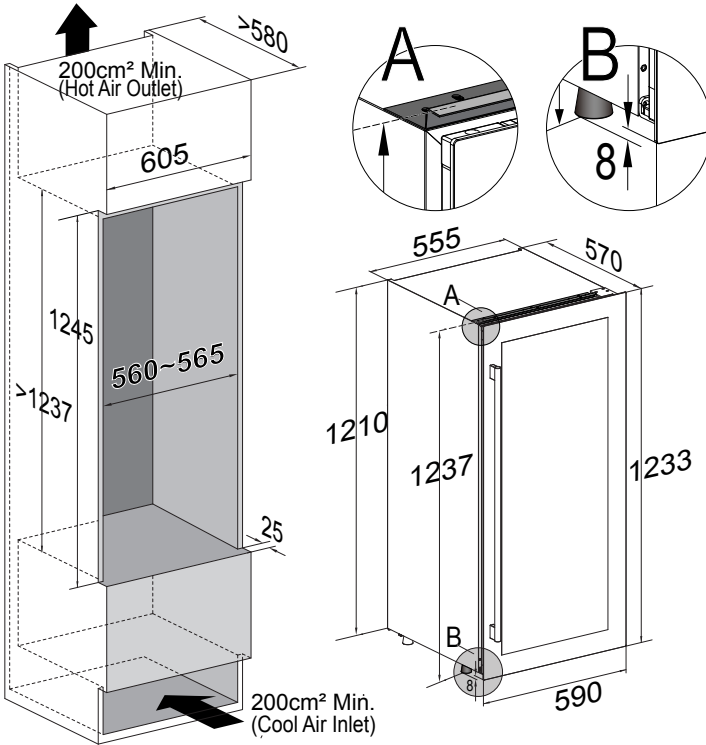
OZ90DB OZ90DX OZ90DW



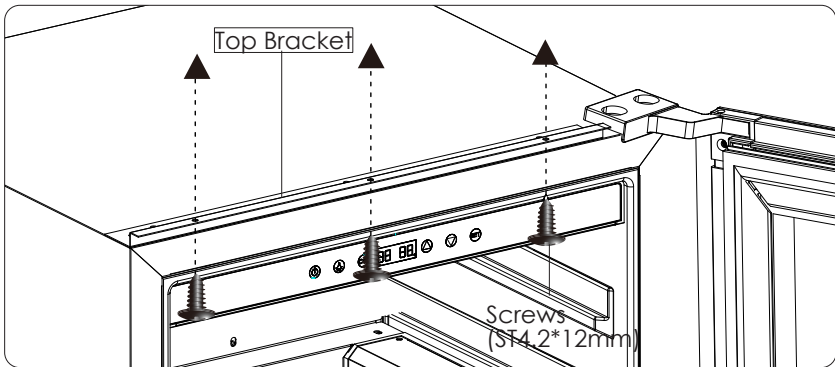
To fix the appliance with Cabinet, pls. screw the 3 screws (ST4.2*12mm) through the Top Bracket. The Top Bracket is pre-installed on top of appliance.



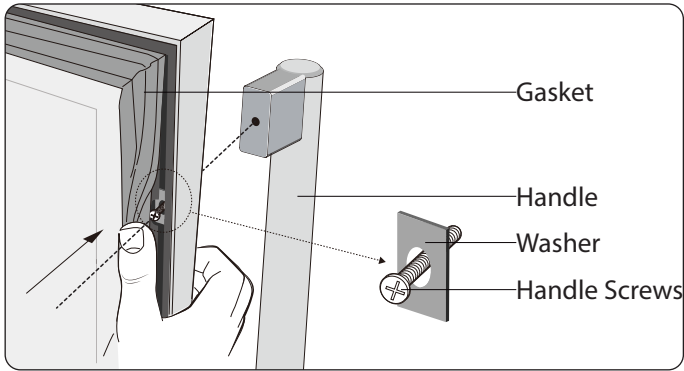
OZ124SB OZ124DB



To fix the appliance with Cabinet, pls. screw the 3 screws (ST4.2*12mm) through the Top Bracket. The Top Bracket is pre-installed on top of appliance.



■ Installing The Handle



- o Remove the door Gasket slightly to expose the two screw holes.
- o Fix the Handle by screwing the two Handle Screws tightly, the Handle Screws with Washers are pre-installed inside the screw holes, pls.do not unscrew the Handle Screws too much in case the Washers fell off to the bottom of door frame.
- o Replace the Gasket.

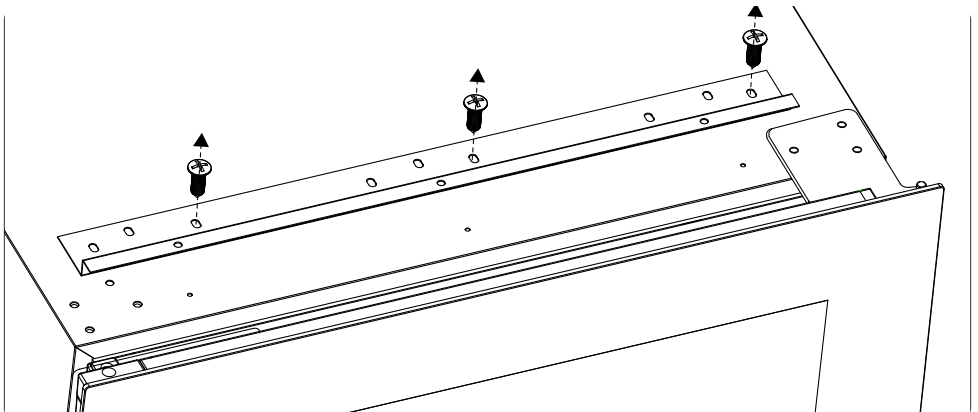
■ Reversing The Door Of Your Wine Cooler



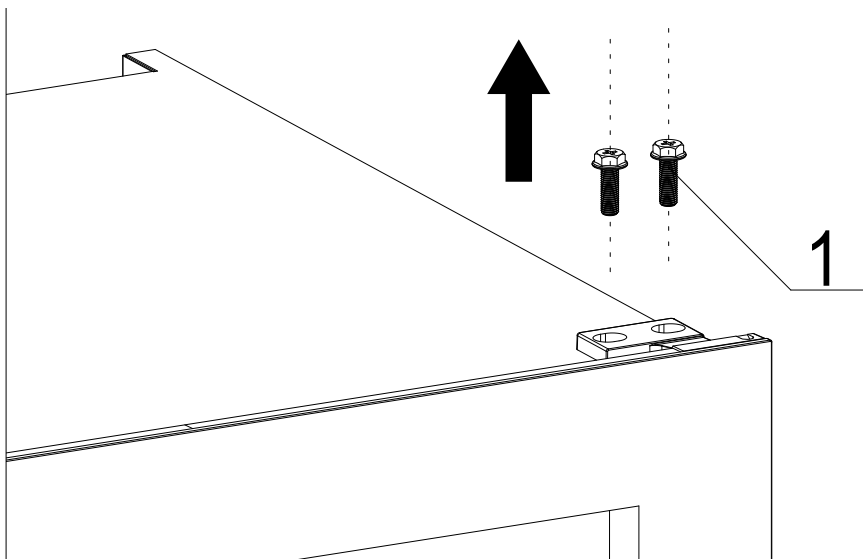
The following operations are available for a model with control in cabinet only and with Right Door Hinge installed.

Any parts and screws that you remove from the appliance whilst reversing the door, should be retained for later use.

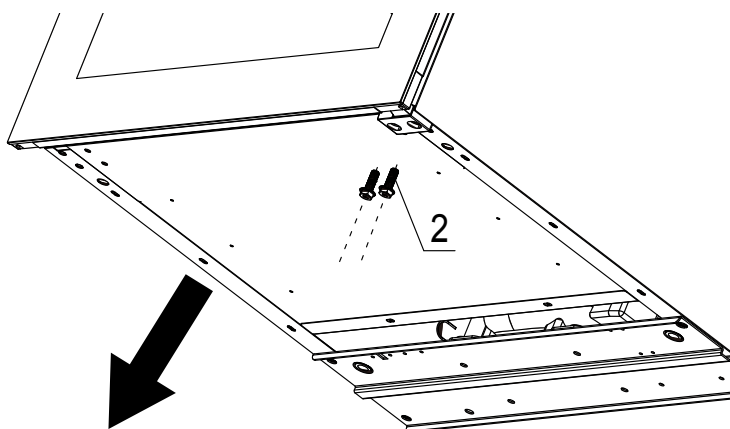
- o Unscrew the 3 Phillips Pan Tapping Screws (ST4.2*11) from the Top Bracket, remove the Top Bracket;



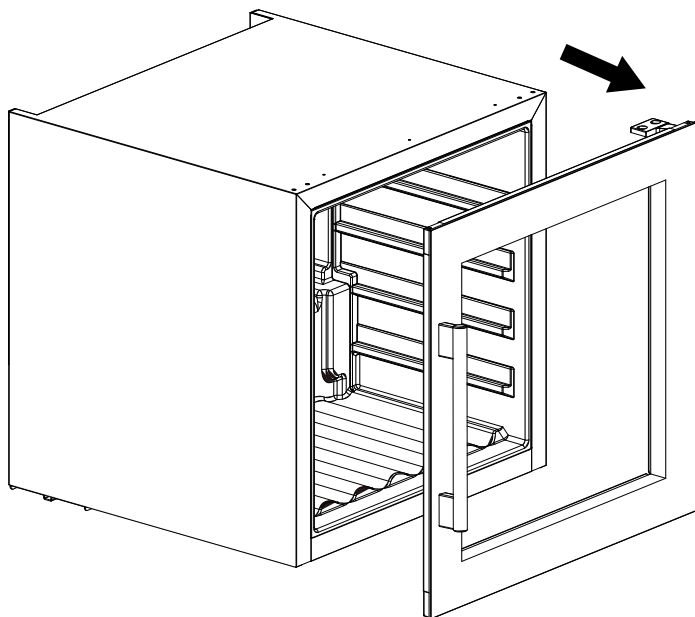
o Unscrew the 2 Hex Phillips Screws (M5*16) from the Right Upper Hinge;



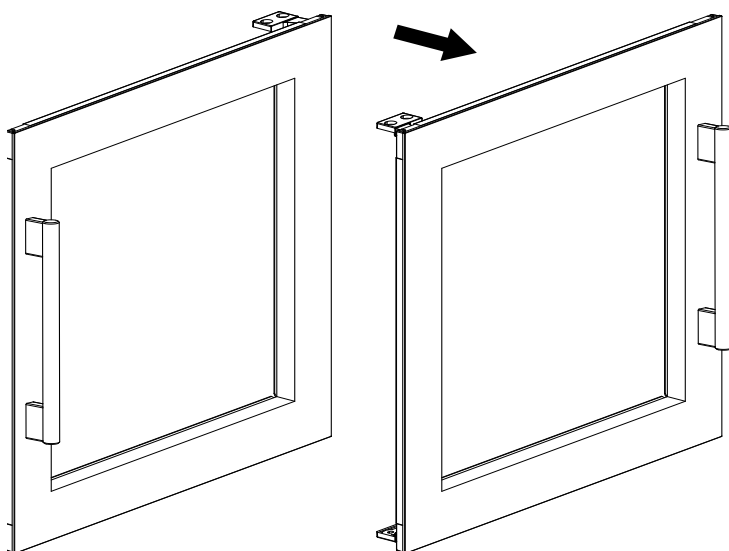
o Unscrew the 2 Phillips Flat Screws (M4*8) from the right lower Door Hinge;



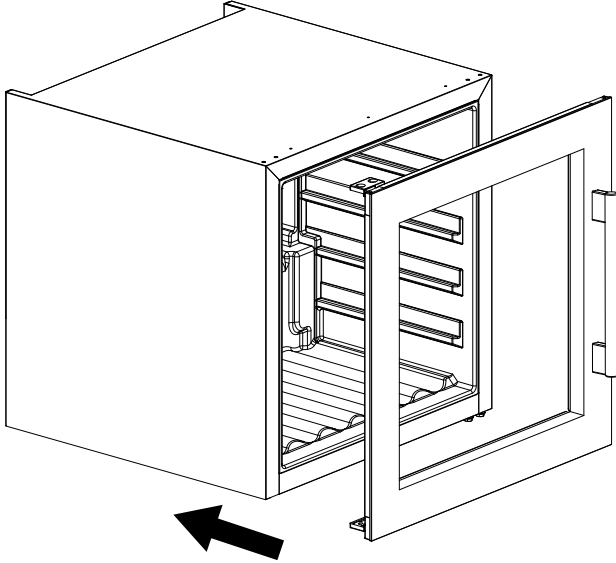
o Hold the Door by two persons if necessary, remove the Door ;



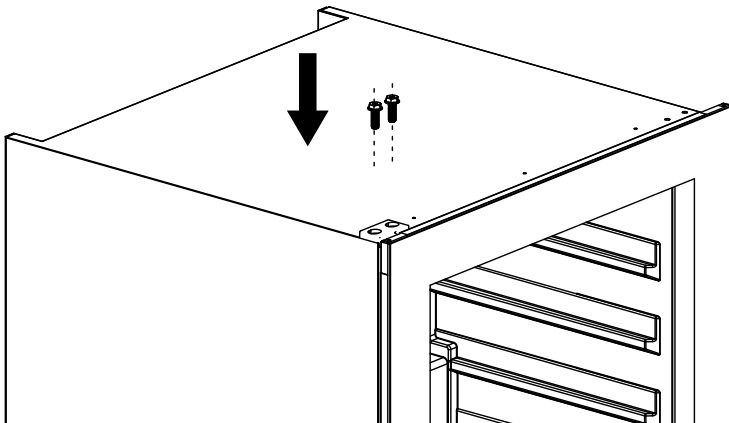
o Rotate the door by 180 degrees ;



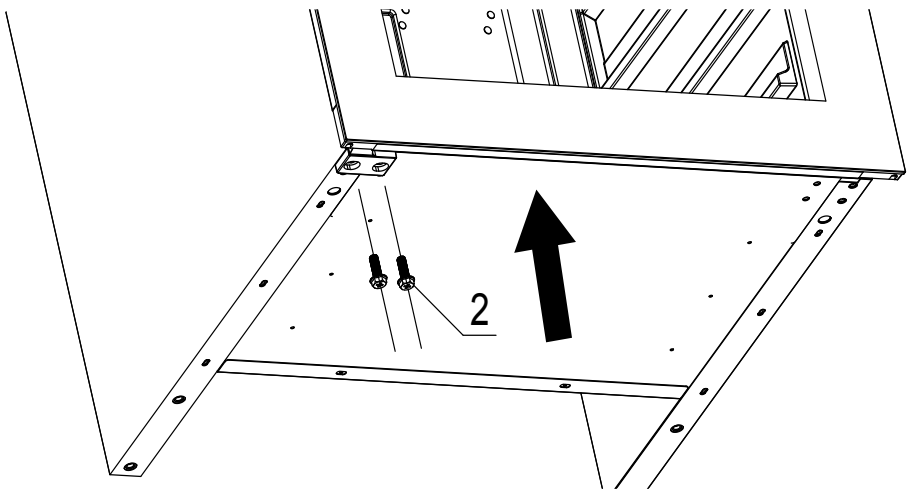
Make sure the hole position of the left door hinge is aligned with the hole position on the cabinet;



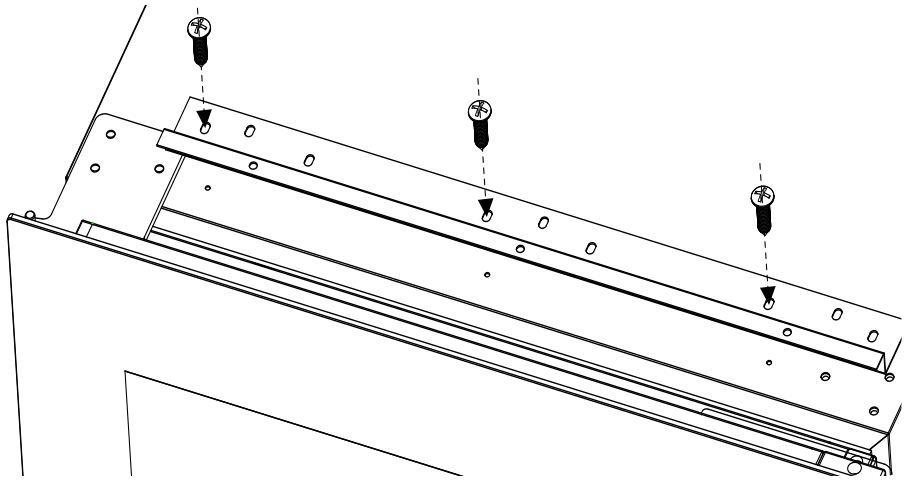
o Install the Upper Door Shaft (Left/Right) on the upper left door corner by screwing the 2 Phillips Flat Screws (M4*8);



Install the Upper Door Shaft (Left/Right) on the upper left door corner by screwing the 2 Phillips Flat Screws (M4*8);

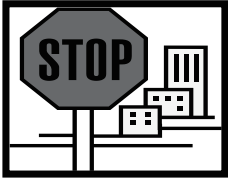


o Install the Top Bracket by screwing the 3 screws.



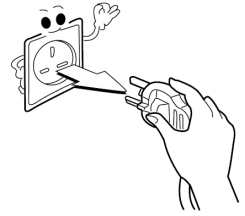
CLEANING AND MAINTENANCE

■ Cleaning The Wine Cooler

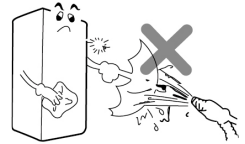


WARNING: PLEASE ENSURE THAT YOUR APPLIANCE IS DISCONNECTED FROM YOUR MAINS SUPPLY BEFORE ATTEMPTING TO CLEAN IT.

Note: Clean regularly surfaces that can come in contact with wines.



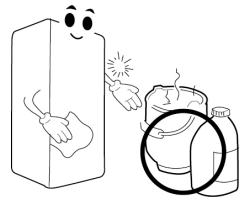
o Do not clean the appliance by pouring water onto it or spraying water over it.



o The interior of the Wine Cooler should be cleaned periodically, using a solution of bicarbonate of soda and lukewarm water.



o Clean the accessories separately with soap and water. Do not clean them in a dishwasher.



o Do not use abrasive products, detergents or soaps.



- o After washing the appliance, wipe over the area that you have cleaned with a damp cloth and then dry it thoroughly.
- o When cleaning is complete, dry your hands and then reconnect the plug to your mains supply.

■ Removing The Shelves For Cleaning

- o Before removing a Shelf from the appliance, it is necessary to remove all the bottles on the Shelf.

■ Carbon Filter Change

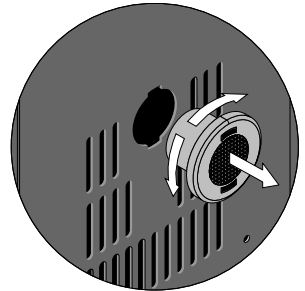
A good ambient air quality is important for wine maturing. The Carbon Filter is very helpful to absorb odor and improve air quality. For the models with Carbon Filter, we suggest to replace it once a year. Pls. contact your dealer to get the filter.

Removing the Carbon Filter:

- o Hold the Carbon Filter and turn it 90° to the left or right to Remove it;

Reinstalling the Carbon Filter:

- o Hold the Carbon Filter and turn it 90° to the left or right until it clicks into place.



■ Moving Your Wine Cooler

If you need to move your Wine Cooler to another location you should follow the steps outlined below.

- o Remove all items from the Wine Cooler.
- o Securely tape down all loose items such as the shelves inside of the appliance.
- o Turn the adjustable foot up to the base to avoid damage.
- o Tape the door closed.
- o Ensure the appliance stays secure in the upright position during transportation. Also protect the outside of the appliance with a blanket or similar item.

■ Power Failure

- o If power is cut to the appliance, for a few hours it will be able to maintain the temperature inside the cabinet. Providing that the number of times that the door is opened is kept to a minimum.
- o If the power cut is for longer than a few hours, then you will need to store the contents in an alternate location to prevent them being affected by temperature rise.

IMPORTANT: If the appliance is unplugged, the power is lost or turned off you must wait 5 minutes before restarting the Wine Cooler. If you attempt to restart before this time delay, the compressor could be damaged.

■ Vacation Time

Short vacations: Leave the Wine Cooler in operation for holidays of less than 3 weeks.

Long vacations:

- o If your appliance is not going to be in use for a period of time, you should remove the bottles of wine and switch off the appliance
- o The interior should be cleaned with a solution of bicarbonate of soda and lukewarm water.
- o The interior should then be thoroughly dried.
- o To prevent mould growth, the door should be left slightly ajar.

■ Disconnecting From Power

- o If the unit is unplugged, or there is a power cut, you must wait for 5 minutes before restarting. Attempting to restart the Wine Cooler before 5 minutes has elapsed, may cause it not to function.

IMPORTANT: Check that the door opens and shuts correctly, without fouling, after you have completed the door reversal process.

After the door has been reversed, you should check the door seal of the Wine Coolers. The seal should not be creased or crushed; otherwise, there will be a gap between it and the inside of the door.

- o The seal must adhere properly all the way around the door.
- o If the seal is not adhering to the cabinet properly, then you should either:
 - a) Use a warm damp cloth and manipulate the seal until it does adhere to the cabinet properly, all the way around the door.
 - or
 - b) Use a hair dryer on its lowest heat setting and lightly heat the areas of the door seal that are not adhering correctly. The heat will make the seal more pliable and this will allow you to manipulate the seal into the correct position.

IMPORTANT: DO NOT HEAT THE DOOR SEAL ON ANYTHING BUT THE LOWEST

HEAT SETTING, OR HEAT THE SEAL FOR A LONG PERIOD OF TIME. OTHERWISE ,DAMAGE MAY BE CAUSED TO THE DOOR SEAL, WHICH WOULD NOT BE RECTIFIED UNDER THE GUARANTEE FREE OF CHARGE.

IMPORTANT: WHEN YOU HAVE REVERSED THE DOOR OF THE APPLIANCE, IF YOU HAVE PLACED THE APPLIANCE ON ITS BACK, YOU MUST WAIT FOR 8 HOURS BEFORE SWITCHING THE APPLIANCE BACK ON.

TROUBLESHOOTING

IMPORTANT: *If your Wine Cooler appears not to be operating properly, before contacting the Customer Care Department, please refer to the checklist below.*

No.	PROBLEM	POSSIBLE CAUSE
1	The Wine Cooler does not operate	Not plugged in. The appliance is turned off. The circuit breaker tripped or a blown fuse.
2	The Wine Cooler is not cold enough	Check the temperature control setting. External environment may require a higher setting. The door is opened too frequently. The door is not closed completely. The door gasket does not seal properly.
3	Automatically turn on and turn off frequently	The room temperature is hotter than normal. A large amount of contents has been added to the Wine Cooler. The door is opened too frequently. The door is not closed completely. The temperature control is not set correctly. The door gasket does not seal properly.
4	The lighting does not work	Not plugged in. The circuit breaker tripped or a blown fuse. The lighting is turned off.
5	Too much vibration	Check to assure that the appliance is level. Check to assure no parts inside the cabinet or in the compressor chamber are loose.
6	The Wine Cooler seems to make too much noise	The rattling noise may come from the flow of the refrigerant which is normal. As each cycle ends, you may hear gurgling sounds caused by the flow of refrigerant. Contraction and expansion of the inside walls may cause popping and crackling noises. The appliance is not level.
7	The door will not close properly	The Wine Cooler is not level. The door was reversed and not properly installed. The gasket is dirty. The shelves are out of position.
8	The display window is shown with "HH" or "LL" instead of a digital figure and/or with continuous beep sound.	The temperature sensor is out of order.

DO NOT ATTEMPT TO REPAIR THE APPLIANCE YOURSELF.

Please note that if an engineer is asked to attend whilst the product is under guarantee and finds that the problem is not the result of an appliance fault then you may be liable for the cost of the call out charge.

The appliance must be accessible for the engineer to perform any necessary repair. If your appliance is installed in such a way that an engineer is concerned that damage will be caused to the appliance or your kitchen, then he will not complete a repair.

This includes situations where appliances have been tiled in, sealed in with sealant, have wooden obstructions placed in front of the appliance, like plinths. Or any installation other than the one specified has been completed.

Please refer to the conditions of guarantee that appear on the warranty card that you receive with the appliance:

IMPORTANT: A policy of continuous improvement and reserves the right to adjust and modify its products without prior notification.

--END--