

**HOBART**

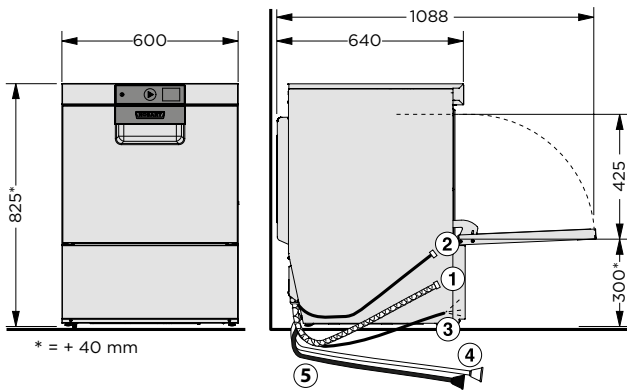
**WAREWASHING**  
UNDERCOUNTER DISHWASHERS FXL



## PROFI FXL



The **PROFI** model with the XL depth of the wash chamber cleans baking trays and meat trays with no trouble. This makes it the ideal partner for bakers, butchers and fast food outlets.



### CONNECTIONS

① Drain hose	2,000 mm   ID20/OD25
② Supply hose	2,000 mm   R 3/4"
Required flow rate	5 l/min
Flow pressure	0.5 (0.8 with softener) - 10 bar
Max. supply water temperature	60 °C
③ Power cord	2,000 mm
Supply hose for	
④ Detergent	2,500 mm
⑤ Rinse aid	2,500 mm

### TECHNICAL DATA

Cycle times*	90 / 180 / 360 sec. and special cycles
Water consumption	2 l/rack
Tank capacity	10.6 l
Tank heating	1.7 kW
Power supply	400 / 50 / 3N (230 / 50 / 1)

### BOOSTER LOADING

Standard	6.2 kW
Alternative	2.1 kW

### TOTAL LOADING

Standard	6.8 kW   3 x 16 A
Alternative	2.7 kW   16 A

Wash pump	0.5 kW   350 l/min
Rack size	500 x 500   500 x 530 mm
Loading height	425 mm
Noise level	60.5 dB (A)
Weight (gross / net)	70 / 60 kg

## PRODUCT ADVANTAGES

- **XL wash chamber:** suitable to wash trays of 600 x 400 mm. Ideal for fast food restaurants, cafés and snack bars
- **VISIOTRONIC-TOUCH control:** colour touch screen (displays text and graphic) in conjunction with single-button control and remaining cycle time indication
- **WASHSMART app:** controlling your warewash operation with smart technology: status and messages, usage and operating costs, hygiene, service and consumables order
- **SENSO-ACTIVE resource management:** constantly measures the quality of the wash water and keeps the amount of rinsing needed in each rinse cycle to the minimum in order to guarantee a fully hygienic wash result
- **2IN1 double rack system:** two racks can be washed in a single wash cycle. One rack of cups can be washed underneath, while a second rack containing dishes and cutlery can be washed above it. Thanks to the optimum use of the entire wash chamber the performance of the machine can be doubled
- **CLIP-IN wash and rinse arms:** wash and rinse arms can be removed with one hand and without any tools
- **Intelligent data documentation:** automatic recording of important operational data and consumptions and indication on the display
- **USB-interface:** comfortable download of operational data in form of a protocol via USB
- **GENIUS-X<sup>2</sup> fine filter system:** advanced filter system with pre-wash function reduces detergent consumption up to 35%
- **Interlocked strainer:** prevents operation without tank strainer
- **Optional refill signal:** monitors contents of external as well as integrated chemical containers
- **Hygiene programme:** for removal of calcium carbonate and other deposits from wash chamber

\* Thermostat guarantees required temperatures with cold water and / or 230 V connection, the actual cycle times extend accordingly. For machine protection the water hardness should not exceed 3°dH, if higher we recommend using an integrated water softener or an external water softener of the product line HYDROLINE PROTECT. To avoid spots and streaks on the wash ware, we recommend the usage of an demineralisation cartridge (HYDROLINE STAR / STAR EXTRA) or a reverse osmosis system HYDROLINE PURE.