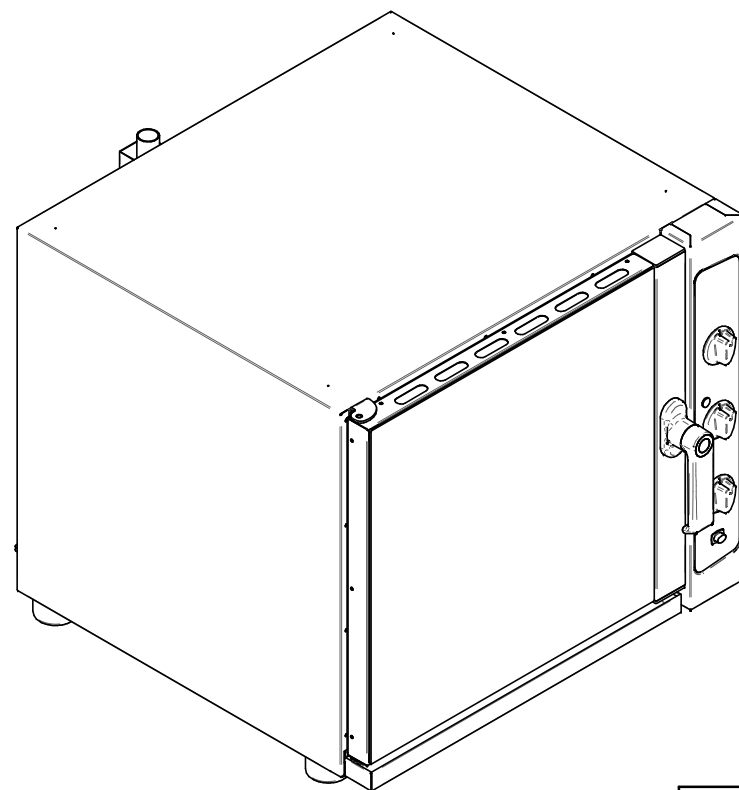


scala 1:10



ENGLISH

- 02. TIME KNOB
- 03. TEMPERATURE KNOB
- 04. LIGHT ON/OFF HEATING ELEMENT
- 06. HUMIDIFY SOLENOID VALVE 3/4" BSP (GAS)
- 07. UNIPOTENTIAL TERMINAL
- 08. COMPRESSION CABLE GLAND
- 09. HOT FUMES EXHAUST CHIMNEY
- 11. LIGHT ON/OFF HUMIDIFICATION
- 12. HUMIDIFICATION KNOB
- 13. DRAIN PIPE
- 17. TWO SPEEDS REGULATION BUTTON

Scale :
1:8

Reserved property :



Drawing by:
C. R.

Date :
11/09/2014

Description :
OVEN DRAWINGS

Model :
G053MV

Name:
AP5.23M

APACH