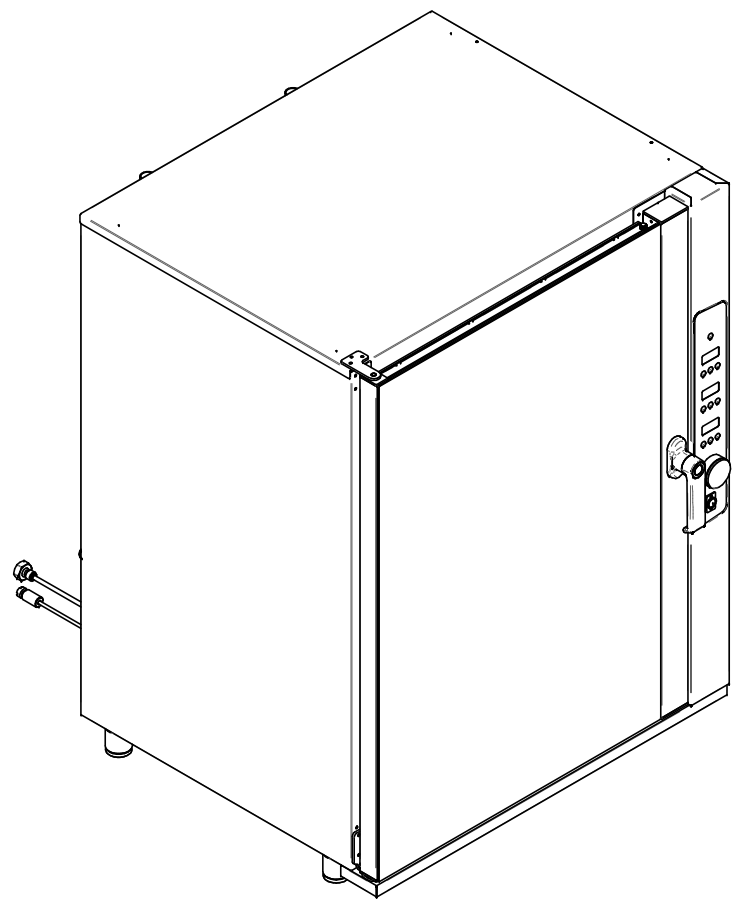


scala 1:14



ENGLISH	
06.	HUMIDIFY SOLENOID VALVE 3/4" BSP (GAS)
07.	UNIPOTENTIAL TERMINAL
08.	COMPRESSION CABLE GLAND
09.	HOT FUMES EXHAUST CHIMNEY
10.	DIGITAL CONTROL
13.	DRAIN PIPE
14.	ENCODER KNOB
15.	CORE PROBE IN-LET
18.	WATER WASHING SYSTEM 3/4" BSP (GAS)
19.	DEGREASING DETERGENT WASHING SYSTEM 3/4" BSP (GAS)