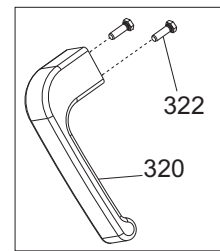
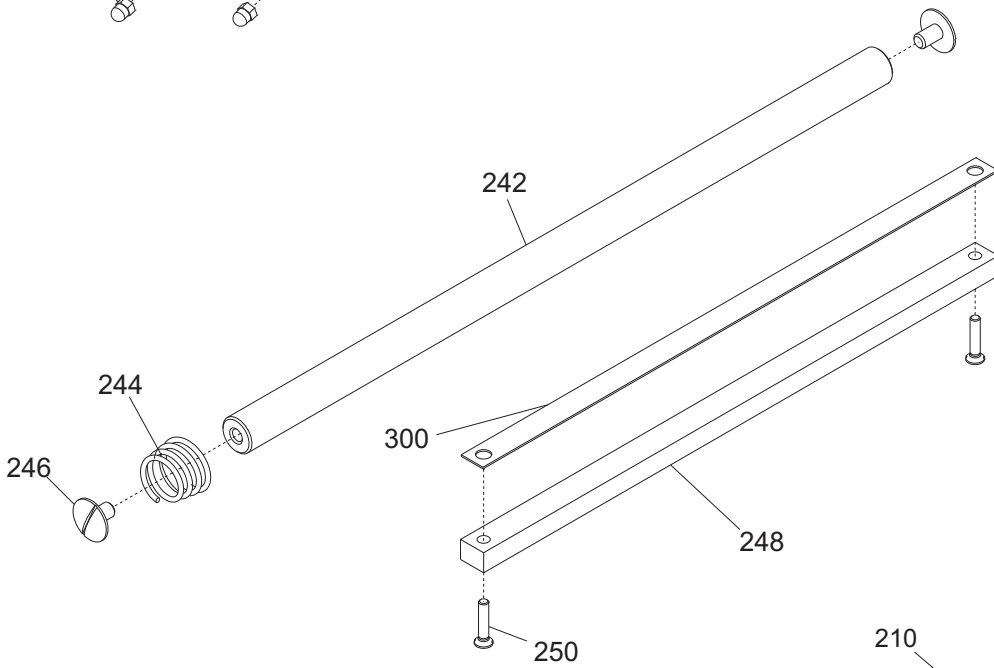
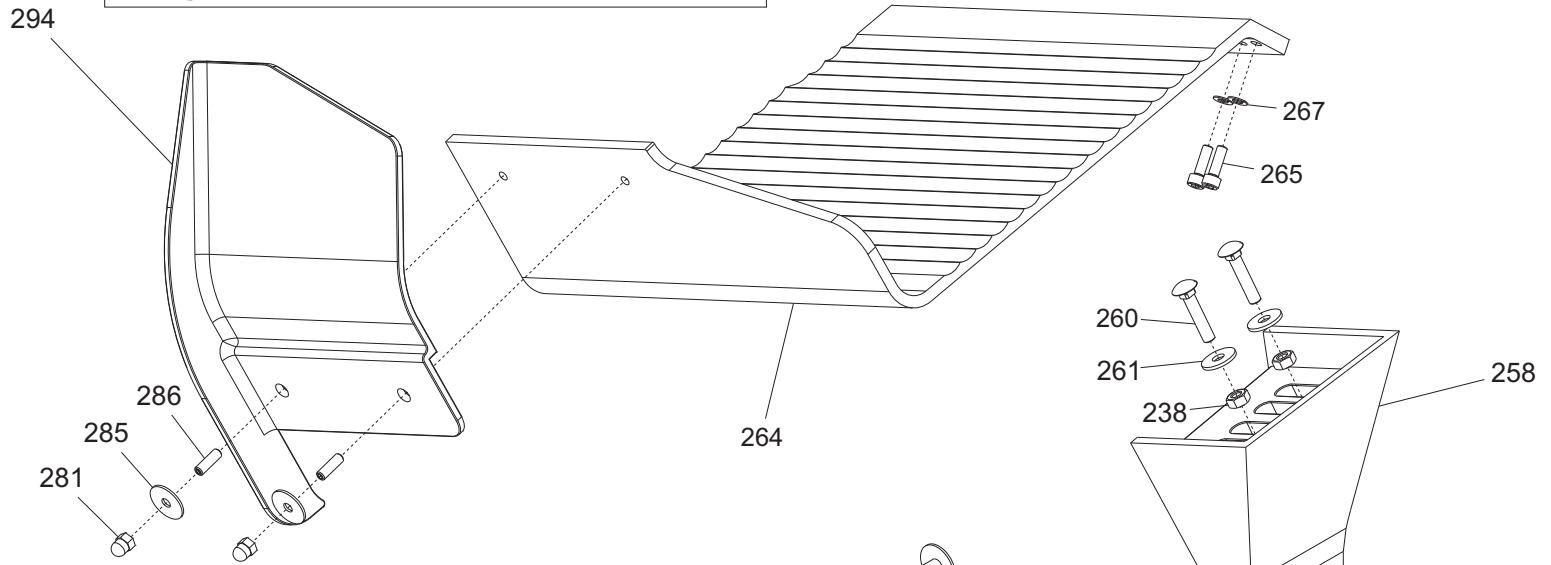
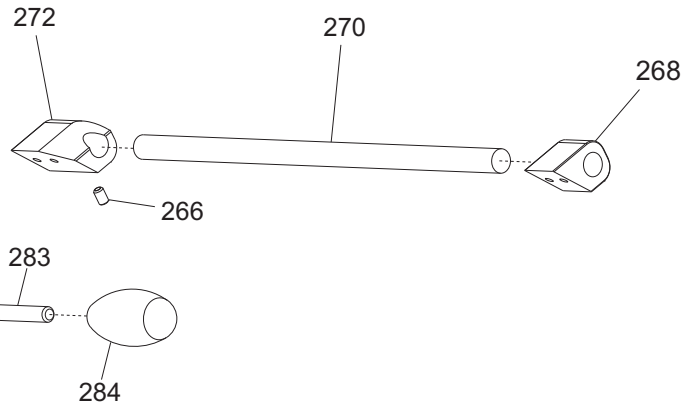
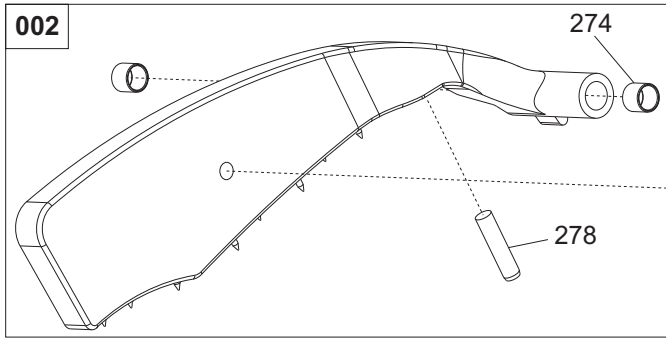
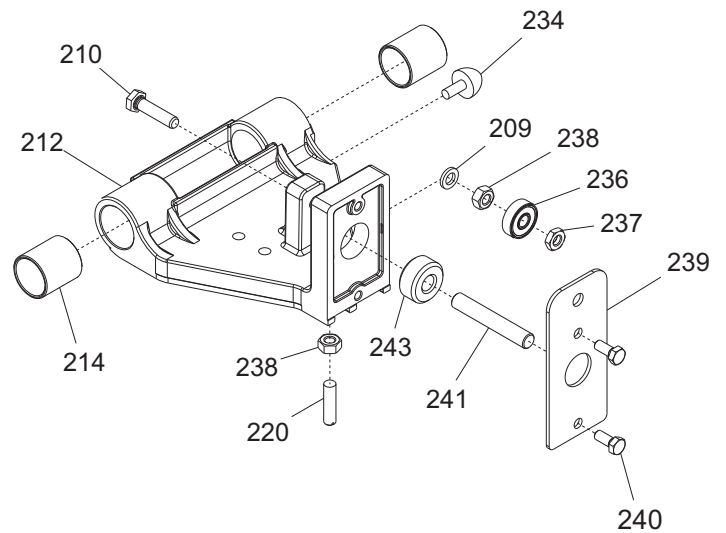
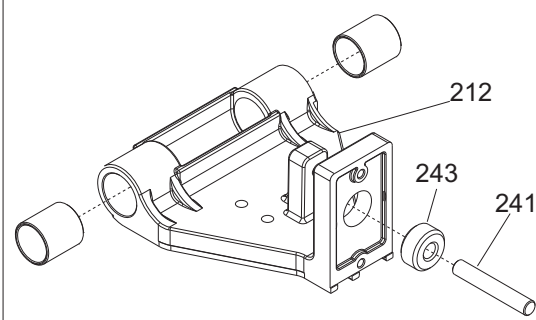


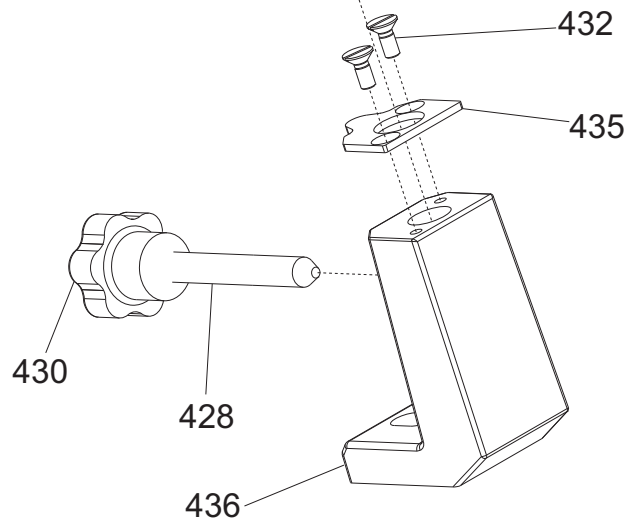
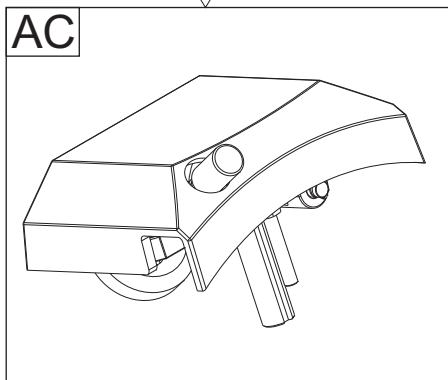
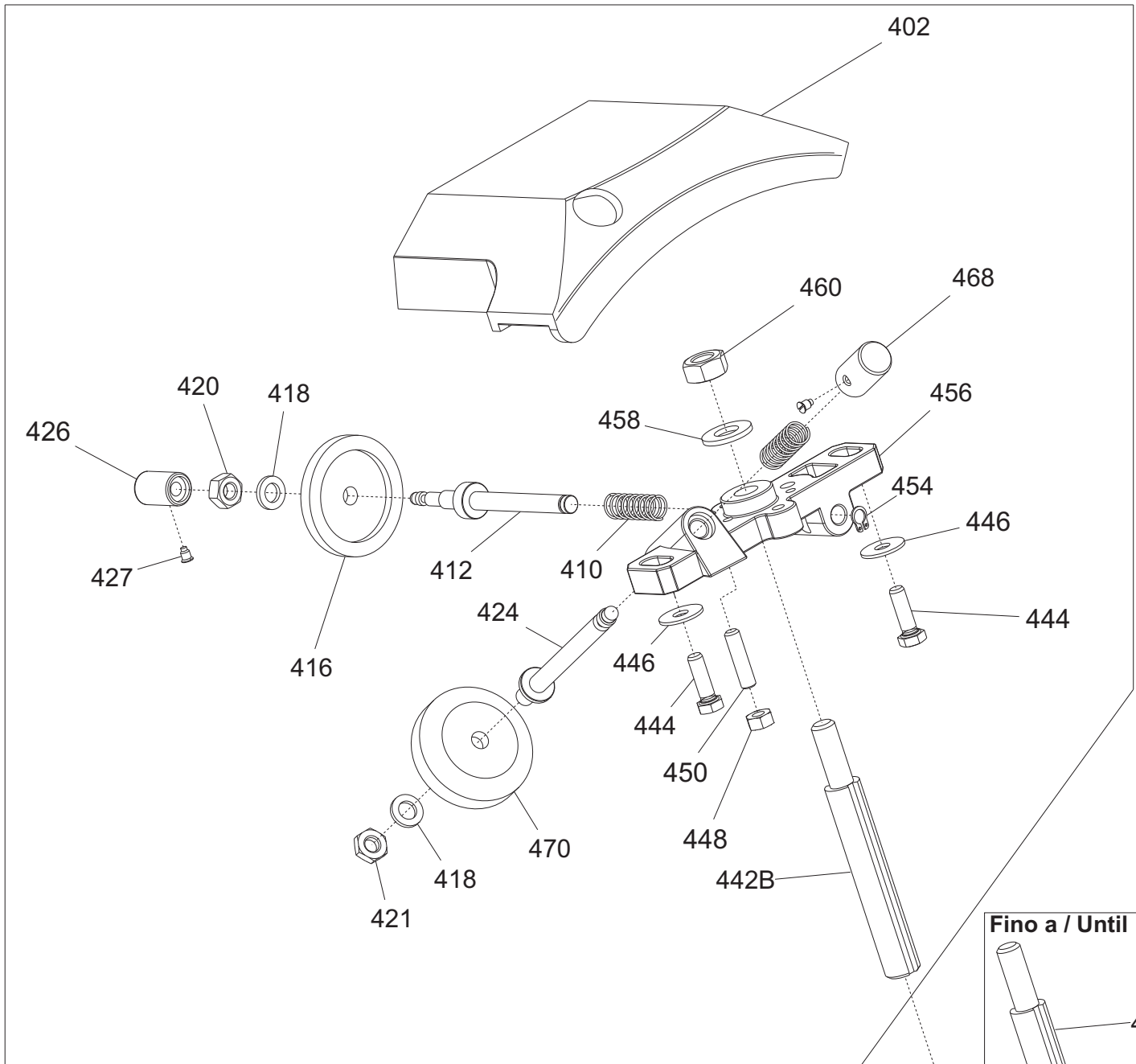
02A	BASE/FRAME MIRRA 300	19510130
02B	CASSA 300 G MRR Y16 OSSIDATA	19510130.16
4	FOOT M5 FOR SLICER/CUTTER	19560201
6	BLADE GUARD MRR-CNV300 NON CE	195102072
8	BLADE COVER KNOB	19021110
10	FLATHEAD CSK SCREW DIN 963 M4 X 12	IX2963004012
12	FLATHEAD CSK SCREW DIN 963 M5 X 16	IX2963005016
14	LOCK NUT MIRRA 300 Y09	19530930.10
15	SEAL RING NBR 80X95X5	19562140
16	BLADE 300 - 40/3/254	18300403254
16T	BLADE 300 40/3/254 TEFLON CE	18300403254TF
22A	BLADE SHAFT _ MIRRA 300 Y09	19700335
22B	BLADE SHAFT MIRRA 300 Y10	19700335.10
24	BELT TB2 360 X 8 _ MIRRA 300	19310206
26	GRUB SCREW DIN 916 M5 X 6 NE	NE0916005006
26	GRUB SCREW DIN 916 M 5X8 NE	NE0916005008
28	MICROSWITCH HOLDING RING _ MIRRA	19540901
32	BLADE COVER TIE ROD _ MIRRA 300	19530535
34 BL	TIE ROD KNOB M 6 BLUE _ MIRRA	19564016
34 NR	TIE ROD KNOB M6X5 FOR MIRRA	19562502
36	S/S SLICE DEFLECTOR _ MIRRA 300 Y09	19531035
38	DEFLECTOR SCREW M5 _ MIRRA	19335014
40	VELA MRR 300 G OSSIDATA	19510330
43	SUPPORT SHAFT RING _ MIRRA 300	19562031
44	LOCKING SCREW M8X24 MIRRA 300	193350032
48	SUPPORT CAP _ MIRRA 220-300	19560132
52	HEX.NUT DIN 934 M 6	IX2934006
56	WASHER LARGE DIN 9021 D 6X18	IX29021006018
58	SUP.VELA MRR 300 G CERT. OSSIDATO	19510730.18
62	LARGE WASHER	19563002
64	THICKNESS PLATE SLIDE _ MIRRA 300	19500130
66	SLIDE GUIDE _ MIRRA	19540601
68	GRUB SCREW DIN 916 M 6X10 NE	NE0916006010
70	HEX.SCREW DIN 933 M5 X 10	IX2933005010
78	SLIDE SPRING _ MIRRA 300	19390230
80	PIN, PLATE SLIDE _ MIRRA 300	19530730
82	BRASS STUD BOLT 6X25	19337002
82	BRASS STUD BOLT M6 X 17 _ MIRRA	19337032
86	FLAT WASHER DIN 125 D 6	IX2125006
88	LOW HEX.NUT DIN 439 M 6	IX2439006
90	SLIDE PIN _ MIRRA 300	193360630
92	CAM FOR MIRRA 220/275/300	19563505LG
94	GRUB SCREW DIN 916 M 5X8 NE	NE0916005008
96	CORRUGATED WASHER 12	19342005
98	GRUB SCREW DIN 916 M 6X8 NE	NE0916006008
100	THICKNESS KNOB WASHER _ MIRRA	19562145
101	SELF-LUBR.BUSHES 12.14.20	19324111
102 BL	THICKNESS KNOB BLUE _ MIRRA	19564020
102 NR	THICKNESS ADJUSTING KNOB MIRRA	19562402



Rif.212 Fino a / Until 01.2012
Order 212+243+241



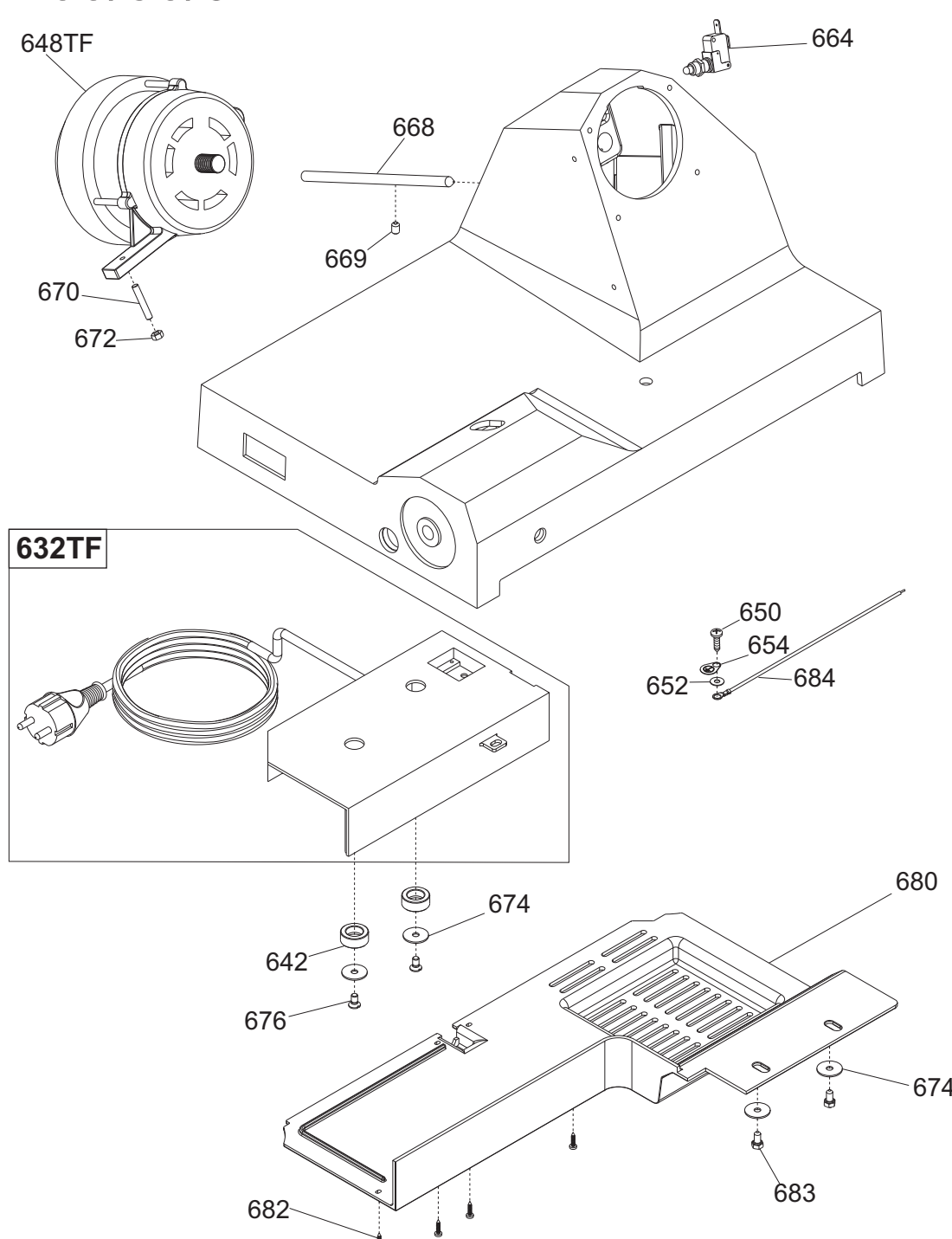
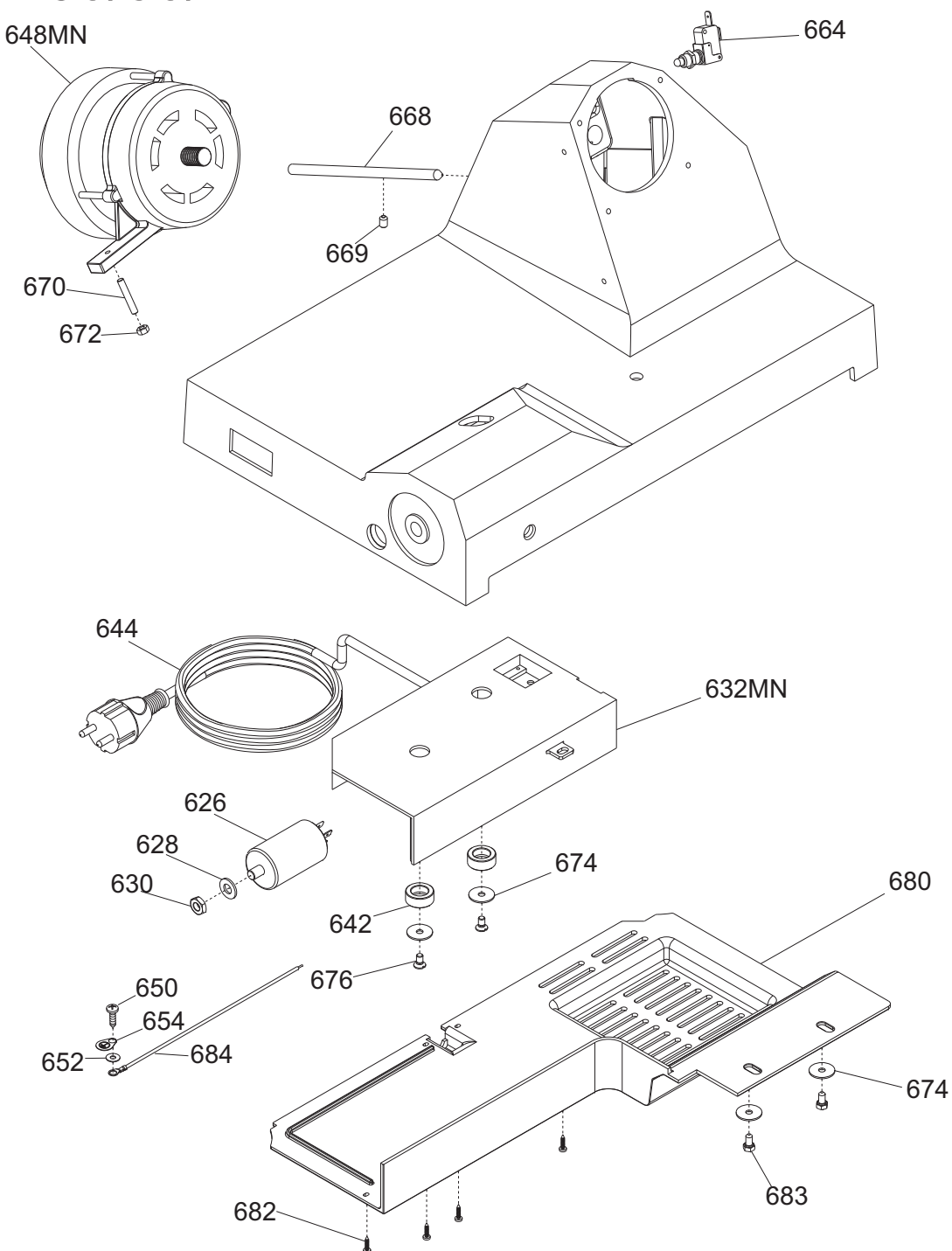
2	MEAT PRESS ASS.Y CANOV/MIRRA 300Y09	19801235
209	FLAT WASHER DIN 125 D 6	IX2125006
210	HEX.SCREW DIN 933 M6 X 25	IX2933006025
212+214	CARRIAGE SLIDE D.20 _ MIRRA 300 CE	19500532/02
214	SELF-LUBR.BUSHES 20.23.25 MIRRA 300	19324032
220	BRASS STUD BOLT 6X25	19337002
234	CARRIAGE BUFFER M5X12 MIRRA 220-300	19560170
237	LOW HEX.NUT DIN 439 M 6	IX2439006
238	HEX.NUT DIN 934 M 6	IX2934006
239	CARRIAGE SLIDE PLATE _ MIRRA 300	19533035
240	HEX.SCREW DIN 933 M5 X 12	IX2933005012
241	GRUB SCREW DIN 913 M8 X 50 CE	IX2913008050
242	CARRIAGE ROUND BAR D.20 _ MIRRA 300	19530632/02
243	THREADED BUSH _ MIRRA/CANOVA 300	19534028
244	ROUND BAR SPRING _ MIRRA 300	19390134
246	ROUND BAR SCREW _ MIRRA 300	193350030
248	SQUARE BAR _ MIRRA 275-300	19540132
250	FLATHEAD CSK SCREW DIN 963 M5 X 25	IX2963005025
256 BL	BLADE GUARD TIE ROD KNOB M8 _ BLUE	19564013
256 NR	TIE ROD KNOB M8	19562504
258	SHANK _ MIRRA 300 Y09	19510630
260	SCREW, PRODUCT PLATE MIRRA 220-250	19335042
261	WASHER LARGE DIN 9021 D 6X18	IX29021006018
264	PRODUCT PLATE _ MIRRA Y09 CE	1,95E+35
265	HEX.SOCKET HEAD CAP SCREW M5 X 16	IX2912005016
266	GRUB SCREW DIN 916 M 5X8 NE	NE0916005008
267	GROWER WASHER UNI 1751 D 5	IX21751005
268	ALUMINUM ROD BLOCK STRAIGHT MRR 300	19526062
270	MEAT PRESS ROD _ MIRRA 300	195304030
272	ALUMINUM ROD BLOCK INCLINED_MRR 300	19526060
274	SELF-LUBR.BUSHES 12.14.12 FRM 2001	19324102
278	MEAT PRESS BUFFER D8,5XH36	19563206
281	BLIND NUT DIN 1587 M5	IX21587LC005
283	GRUB SCREW DIN 913 M 10X30 CE	IX2913010030
284 BL	MEAT PRESS KNOB M10 _ BLUE	19564014
284 NR	KNOB - PRODUCT PUSHER, OVALE M10	19562905
285	WASHER LARGE DIN 9021 D 5X20	IX29021005020
286	GRUB SCREW DIN 913 M 5X16 CE	IX2913005016
294	HAND GUARD MIRRA 275-300 Y09	19562324.06
300	HARDENED BAR _ MIRRA 300	19530832
320 BL	MANIGLIA GAMBO BLU	19562808B
320 GR	CARRIAGE HANDLE - GREY	19562808G
320 NR	MANIGLIA GAMBO NERA	19562808N
320 RS	MANIGLIA GAMBO ROSSA	19562808R
322	HEX.SCREW DIN 933 M6 X 16	IX2933006016



AC	SHARPENER ASS.Y MIRRA 300Y09 NON CE	19800033NC
402	CAPP.MRR 300 G NO CE OSSIDATA	19511235
410	SHARPENER SPRING _ SLICER 250-300	19390303
412	DEBURRING PIN _ SLICER 250-300	19540703
416	DEBURRING STONE D.40 H8 F6	19300201
418	FLAT WASHER DIN 125 D 6	IX2125006
420	HEX.NUT DIN 934 M 6	IX2934006
421	LOW HEX.NUT DIN 439 M 6	IX2439006
424	SHARPENING PIN _ SLICER 250-300	19540704
426	DEBURRING BUTTON _ SLICER 250-300	19550203
427	BUTTON LOCKING SCREW _ SLICER 250-370	19335025
428	SHARPENER SUPPORT STUD BOLT L=75 MM	19336010
430 NR	SHARPENER LOCKING KNOB FOR SLICER	19562602
430 BL	BLUE KNOB M8	19564015
432	FLATHEAD CSK SCREW DIN 963 M4 X 10	IX2963004010
435	PIAST. COLONNINA MRR 300 G NO CE	19533335
436	COLONNIN.300 MRR G ALL OSSIDATA	19511130
442A	SUPPORT PIN L.76 _ MIRRA 250 C	19540431
442B	Milled sharpener holder FOR SLICER	19540406
444	HEX.SCREW DIN 933 M5 X 16	IX2933005016
446	WASHER LARGE DIN 9021 D 5X15	IX29021005015
448	HEX.NUT DIN 934 M 5	IX2934005
450	GRUB SCREW DIN 913 M5 X 20 CE	IX2913005020
454	SEEGER DIN 471 D 06E	IX2471006
456	SHARPENER FRAME _ MIRRA VERT.220-300	19021332
458	FLAT WASHER DIN 125 D 8	IX2125008
460	HEX.NUT DIN 934 M8	IX2934008
468	SHARPENING BUTTON _ SLICER 250-300	19550202
470	SHARPENING STONE D40 H11 F6	19300101

Ver. 1-PHASE 230/50/1

Ver. 3-PHASE 400/50/3



626	CAPACITOR 8 μ F CODOLO M8	19410301	1
628	FLAT WASHER DIN 125 D 8	IX2125008	20
630	LOW HEX.NUT DIN 439 M8	IX2439008	10
632 TF	ASS.SCAT.IMP.ELE MRR.300V TF	19702232	1
632 MN	RELAY HOUSING 11-04-97 _ MIRRA	19563125	1
642	HOUSING SPACER RING	19561500	5
644 CN	CAVO ALIM.COMP. MN CINA 3X1 NEOPR	194105121	1
644 MN	SUPPLY CORD SINGLE-PHASE "SHUKO"	19410502	1
648 TF	MOTORE MRR 300 C.PIATTA SV 380 TF	19400432	1
648 MN	MOTOR MRR-CNV 300 P.50 230/50/1	19403052	1
650	VITE AUTOF.TC+ DIN 7981 D 3,5X9,5	IX279813.5009.5	10
652	WASHER DIN 6798-A D 4E	IX26798A004	10
654	GROUND LABEL	19420177	10
664	MICROSWITCH SINGLE-PHASE	19410201	1
668	MOTOR PIVOT _ MIRRA 300	19540530	1
669	GRUB SCREW DIN 916 M 6X8 NE	NE0916006008	10
670	GRUB SCREW DIN 913 M 5X30 CE	IX2913005030	10
672	HEX.NUT DIN 934 M 5	IX2934005	20
674	WASHER LARGE DIN 9021 D 5X20	IX29021005020	10
676	FLATHEAD CSK SCREW DIN 963 M5 X 10	IX2963005010	20
680	BOTTOM COVER _ MIRRA 300	19563152	1
682	VITE AUTOF.TC+ DIN 7981 D 2,9X13	IX279812.9013	10
683	HEX.SCREW DIN 933 M5 X 10	IX2933005010	10
684	GROUND CABLE UL _ MIRRA 220-250	19410738	10