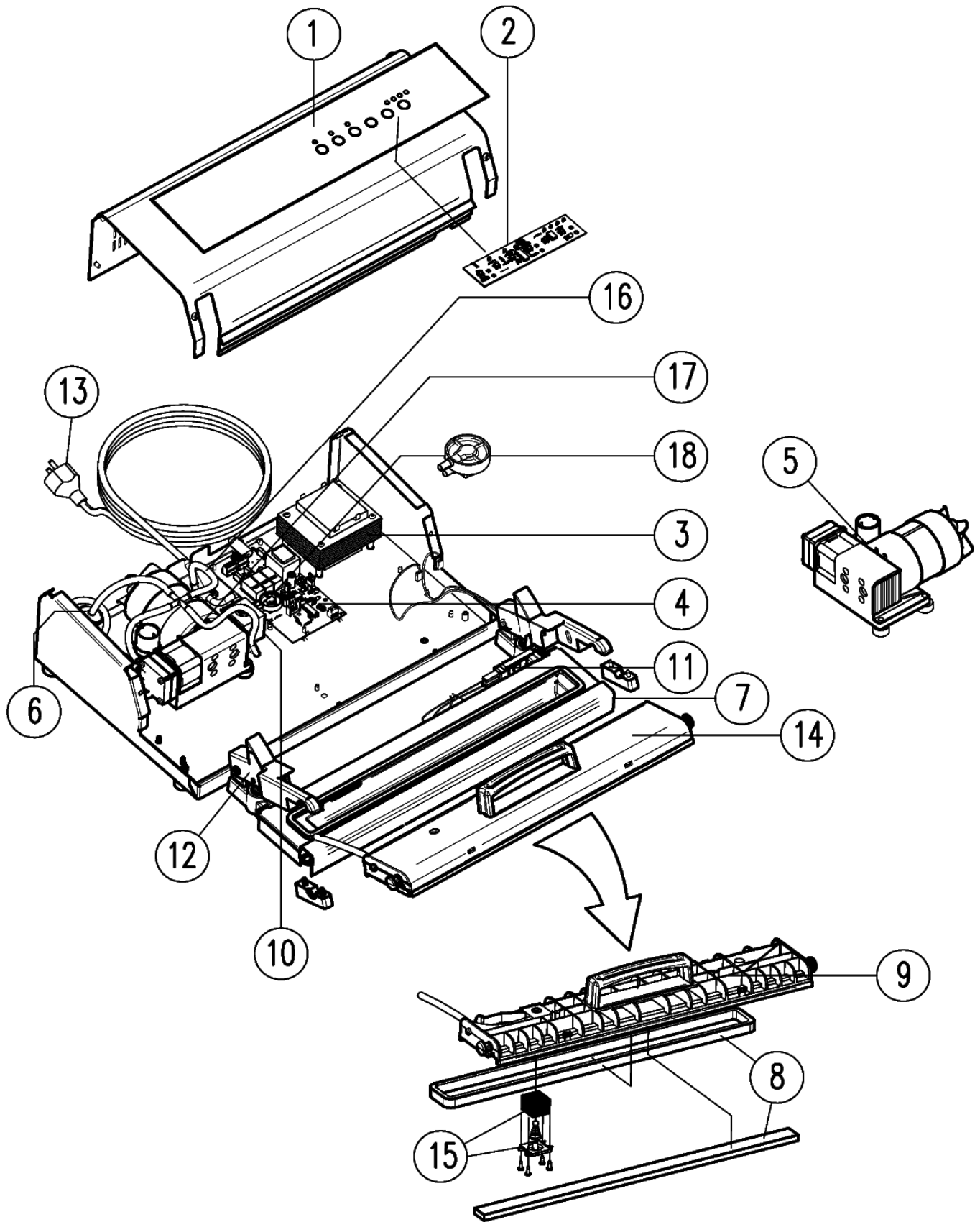


SPARE PARTS LIST



SPARE PARTS LIST

| SPARE PARTS LIST LEVAC 4N (AVM4) | | | | | |
|----------------------------------|-----------|---|---------------------|-------------------|-------|
| No. Part | Code Part | Description | Validity start date | Validity end date | Notes |
| 1 | 1600483 | CONTROLS STICKER LEVAC 4N | 01/01/1900 | 31/12/2099 | |
| 2 | 1602879 | COMMAND BOARD D031.0 | 01/01/1900 | 31/12/2099 | |
| 3 | 1604098 | TRANSFORMER 200VA 230/10-12-16V | 01/01/1900 | 31/12/2099 | |
| 4 | 1604088 | POWER BOARD L056 230V | 01/01/1900 | 31/12/2099 | |
| 5 | 1604081 | VACUUM PUMP CP30 230V/50HZ | 01/01/1900 | 31/12/2099 | |
| 6 | 1601815 | VACUUM PUMP EXHAUST FILTER CP30/EVP30 | 01/01/1900 | 31/12/2099 | |
| 7 | 1604047 | SEALING BAR L=466 VACUUM 2009/LEVAC 4N | 01/01/1900 | 31/12/2099 | |
| 8 | 1602292 | SILICONE SEAL(2PCS)+SILICONE RUBBER VACUUM2009/VACUUM2010 | 01/01/1900 | 31/12/2099 | |
| 9 | 1604108 | UPPER VACUUM CHAMBER | 01/01/1900 | 31/12/2099 | |
| 10 | 1604059 | SOLENOID VALVE 1/8" FF D2 NBR 230V | 01/01/1900 | 31/12/2099 | |
| 11 | 1604072 | SWITCH CONTACT | 01/01/1900 | 31/12/2099 | |
| 12 | 1604110 | LEFT + RIGHT BLACK LEVER | 01/01/1900 | 31/12/2099 | |
| 13 | 1604048 | POWER CABLE 3X1X2300 SHUKO EUR | 01/01/1900 | 31/12/2099 | |
| 14 | 1604107 | UPPER COMPLETE VACUUM CHAMBER SET | 01/01/1900 | 31/12/2099 | |
| 15 | 1604074 | STOPPER AND FILTER | 01/01/1900 | 31/12/2099 | |
| 16 | 1604408 | D=4X6 HOSE (5 MT) | 01/01/1900 | 31/12/2099 | |
| 17 | 1604409 | D=6X9 HOSE (5 MT) | 01/01/1900 | 31/12/2099 | |
| 18 | 1604082 | VACUUM SENSOR SIGNAL LUX 693MBAR | 01/01/1900 | 31/12/2099 | |