
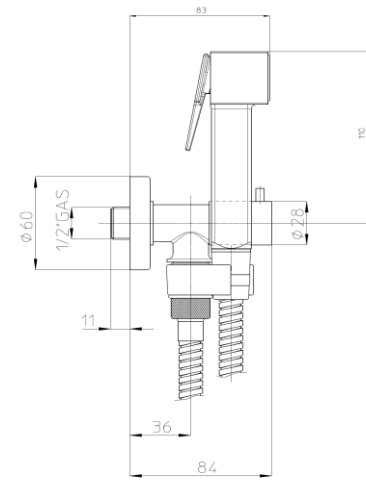
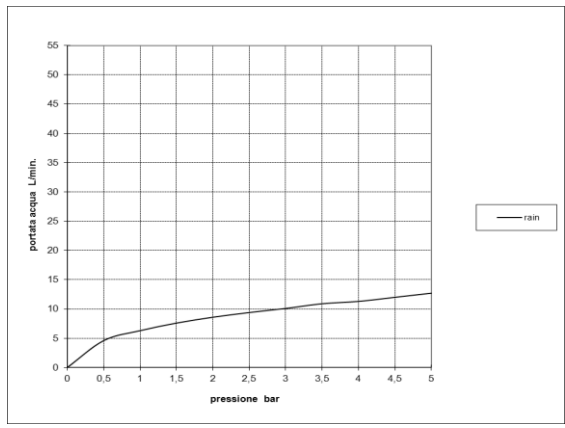
		SCHEDA TECNICA TECHNICAL SHEET		Date: 20/06/2017	Rev/0																								
Codice / Code: E57033		Descrizione / description: Set doccia idrogetto a pulsante in ottone, rubinetto d'arresto con supporto doccia 1/2" M, flessibile Shower Set with Brass Idrojet Shut-off handspray, stop valve 1/2" M with shower holder, hose																											
Foto / image 		Disegni / drawings 																											
Grafico di portata / Flow rate diagram		<table border="1"> <thead> <tr> <th></th> <th>rain</th> </tr> </thead> <tbody> <tr><td>0</td><td>0</td></tr> <tr><td>0,5</td><td>4,6</td></tr> <tr><td>1</td><td>6,3</td></tr> <tr><td>1,5</td><td>7,6</td></tr> <tr><td>2</td><td>8,6</td></tr> <tr><td>2,5</td><td>9,4</td></tr> <tr><td>3</td><td>10,1</td></tr> <tr><td>3,5</td><td>10,9</td></tr> <tr><td>4</td><td>11,3</td></tr> <tr><td>4,5</td><td>12</td></tr> <tr><td>5</td><td>12,7</td></tr> </tbody> </table>			rain	0	0	0,5	4,6	1	6,3	1,5	7,6	2	8,6	2,5	9,4	3	10,1	3,5	10,9	4	11,3	4,5	12	5	12,7		
	rain																												
0	0																												
0,5	4,6																												
1	6,3																												
1,5	7,6																												
2	8,6																												
2,5	9,4																												
3	10,1																												
3,5	10,9																												
4	11,3																												
4,5	12																												
5	12,7																												
MATERIALI / materials Brass, ABS, NBR, Stainless steel																													
CARATTERISTICHE IDRAULICHE / hydraulic features																													
	pressione pressure	portata flow rate	temperatura temperature	solo per miscelatori termostatici only for thermostatic mixers																									
min	1 bar	L/min	--	Blocco di sicurezza safety lock	/																								
max	5 bar	L/min	<70°C	Temperatura acqua fredda cold water temperature	/																								
consigliata recommended	2-3 bar	L/min	--	Temperatura acqua calda hot water temperature	/																								
CERTIFICAZIONI / CERTIFICATIONS: ACS (France); NF [EN 1113] (FRA)					HOSE :																								
CONFORMITA' / CONFORMITY . Chrome plating EN 248; Mixer - EN 200, EN 817.																													