

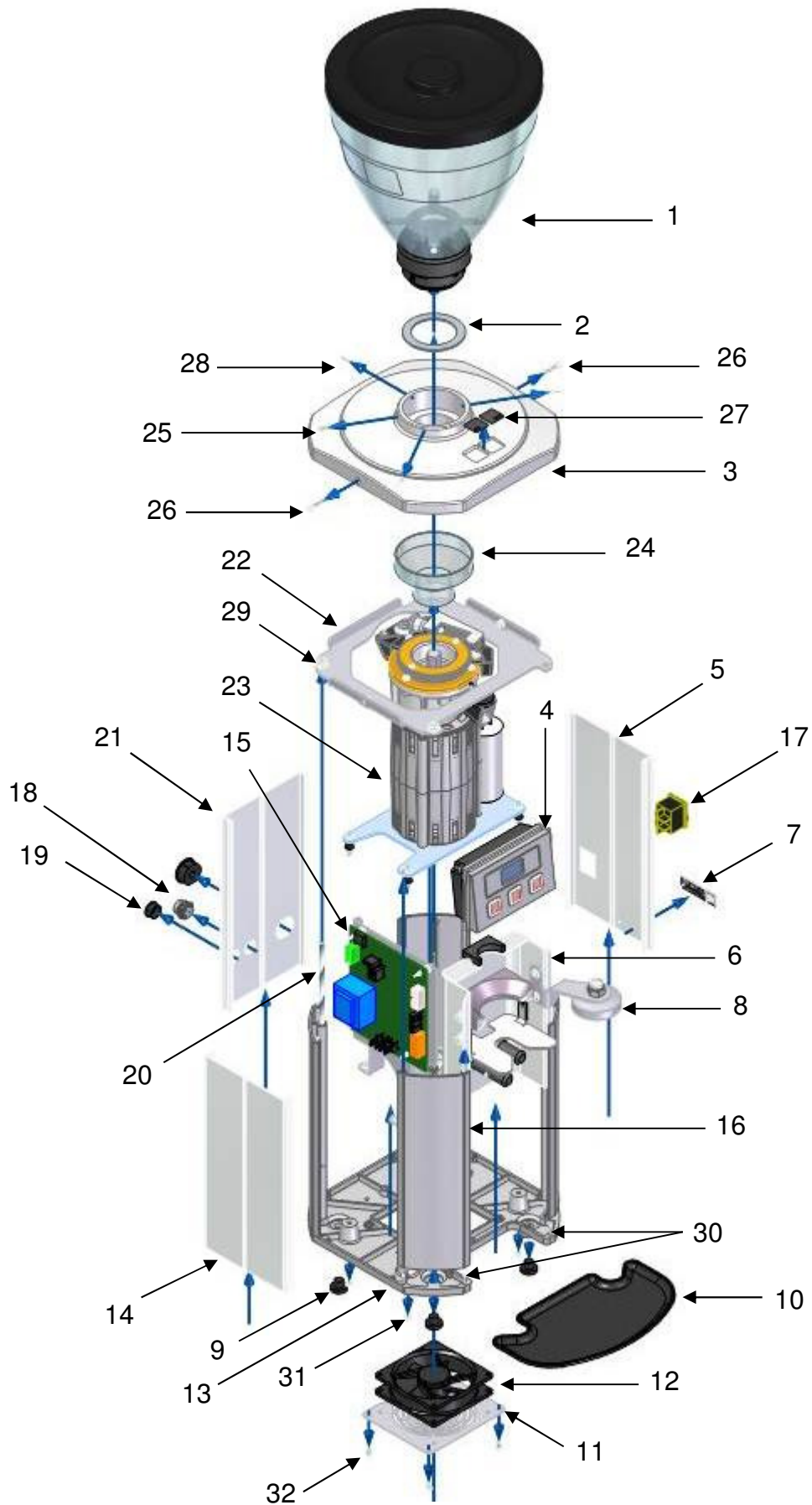


SPARE PARTS CATALOGUE

DC-ONE

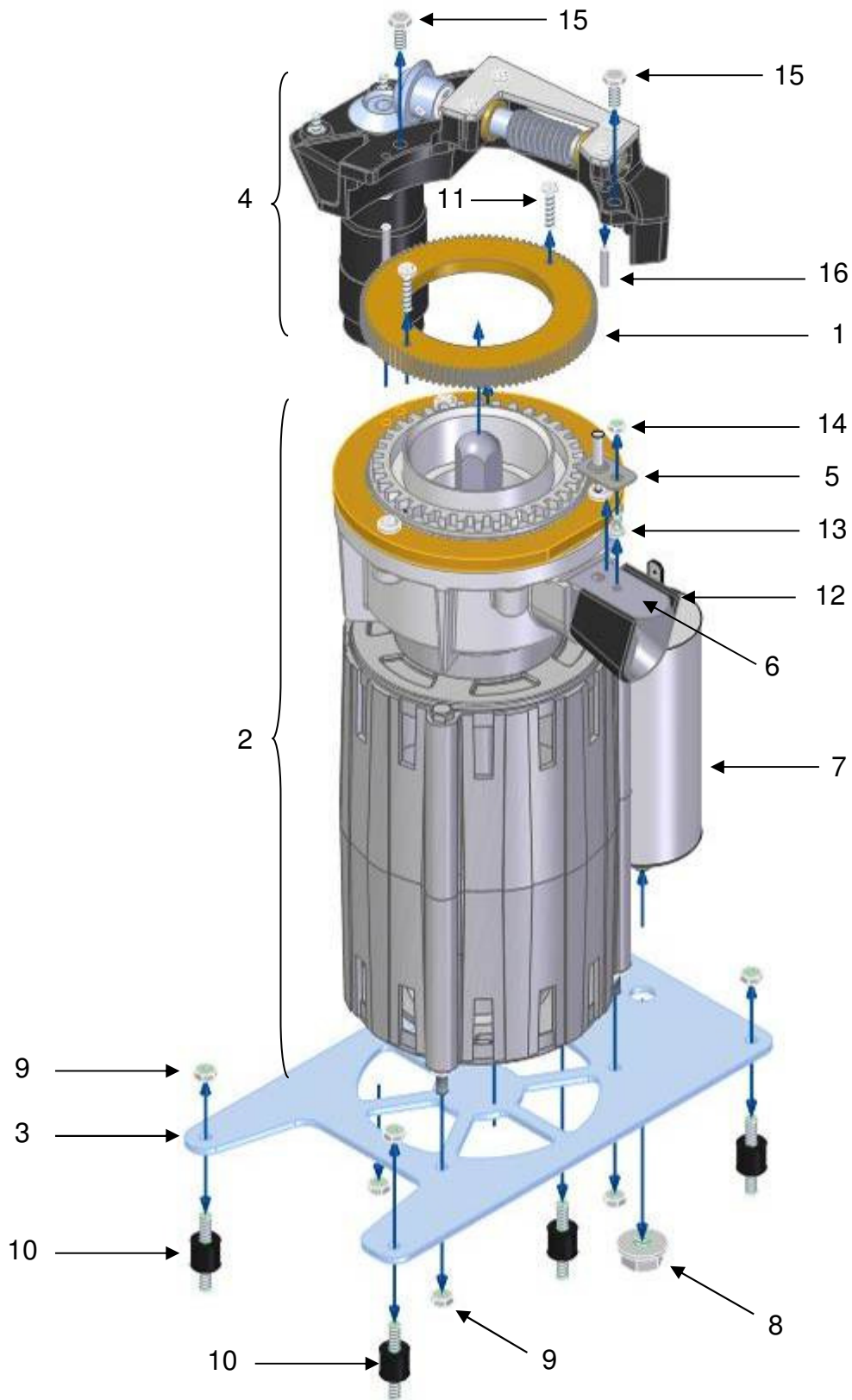
REV 07

POS	CODE	DESCRIPTION	NOTES
1	B-GR-0041	COMPLETE HOPPER	
2	B-GR-0044	DC-ONE GASKET OF HOPPER COMPLETE	
3			
3a	B-GR-0064	TOP COVER WHITE PAINTED	
3b	B-GR-0065	TOP COVER TITANIUM PAINTED	
3c	B-GR-0074	TOP COVER ALUMINIUM	
4			
4a	A-GR-0003A	FRONT PANEL CONTROLS ALUMINIUM	See Pic. 7
4c	A-GR-0003N	FRONT PANEL CONTROLS BLACK PAINTED RAL 9005	See Pic. 7
4d	A-GR-0003T	FRONT PANEL CONTROLS TITANIUM PAINTED	See Pic. 7
4e	A-GR-0003W	FRONT PANEL CONTROLS WHITE PAINTED RAL 9003	See Pic. 7
5			
5a	B-GR-0047	WHITE RAL 9010 RIGHT SIDE PANEL	
5b	B-GR-0071	ANODIZED RIGHT SIDE PANEL	
5c	B-GR-0078	BLACK RAL 9005 RIGHT SIDE PANEL	
5d	B-GR-0098Q	QUART GREY RAL 7039 RIGHT SIDE PANEL	
5e	B-GR-0098R	SPARKLING RED RAL 3000 RIGHT SIDE PANEL	
6	A-GR-0007	COMPLETE LOWER FRONT	See Pic. 6
7	B-GR-0038	DALLA CORTE'S PLATE 53 x 15	
8	A-GR-0009	COMPLETE PRESSER D54 (OPTIONAL)	See Pic. 4
9	B-00-0196	FOOT	
10	B-GR-0007	SAUCER DC-ONE	
11	B-GR-0020	FAN PROTECTION	
12	B-GR-0043	FAN	
13			
13a	B-GR-0060	BASE WHITE PAINTED	
13b	B-GR-0061	BASE TITANIUM PAINTED	
13c	B-GR-0073	BASE ALUMINUM PAINTED	
14			
14a	B-GR-0045	WHITE RAL 9010 LEFT SIDE PANEL	
14b	B-GR-0070	ANODIZED LEFT SIDE PANEL	
14c	B-GR-0077	BLACK RAL 9005 LEFT SIDE PANEL	
14d	B-GR-0097Q	QUART GREY RAL 7039 LEFT SIDE PANEL	
14e	B-GR-0097R	SPARKLING RED RAL 3000 LEFT SIDE PANEL	
15	A-GR-0008	COMPLETE ELECTRONIC BOARD POWER	See Pic. 8
16			
16a	B-GR-0062	ANGLE WHITE PAINTED	
16b	B-GR-0063	ANGLE TITANIUM PAINTED	
16c	B-GR-0076	ANGLE ALUMINUM PAINTED	
17	B-00-0068	MAI SWITCH	
18	B-GR-0057	DC-ONE INTERNAL SERIAL CABLE	
19	B-GR-0054	PLUG SLOT SERIAL	
20	B-00-0201	THREADED ROD M6 x 275	
21			
21a	B-GR-0046	WHITE RAL 9010 REAR PANEL	
21b	B-GR-0069	ANODIZED REAR PANEL	
21c	B-GR-0079	BLACK RAL 9005 REAR PANEL	
21d	B-GR-0099Q	QUARTZ GREY RAL 7039 REAR PANEL	
21e	B-GR-0099R	SPARKLING RED RAL 3000 REAR PANEL	
22	B-GR-0012	CONNECTION PLATE	
23	A-GR-0002	DC-ONE MECHANICS	See Pic. 2
24	B-MK-0515	HOPPER FITTING	
25	B-00-0197	GRUB SCREW M4 x 10	
26	B-00-0209	SCREW TCEI M4 x 16	
27	B-GR-0039	DC-ONE'S PLATE (2 PZ.)	
28	B-00-0202	PIN D3 x 10	
29	B-00-0113	FLANGED NUT M6	
30	B-00-0194	PIN D3 x 16	
31	B-00-0121	NUT M4	
32	B-00-0111	SCREW TC+ M4 x 6	



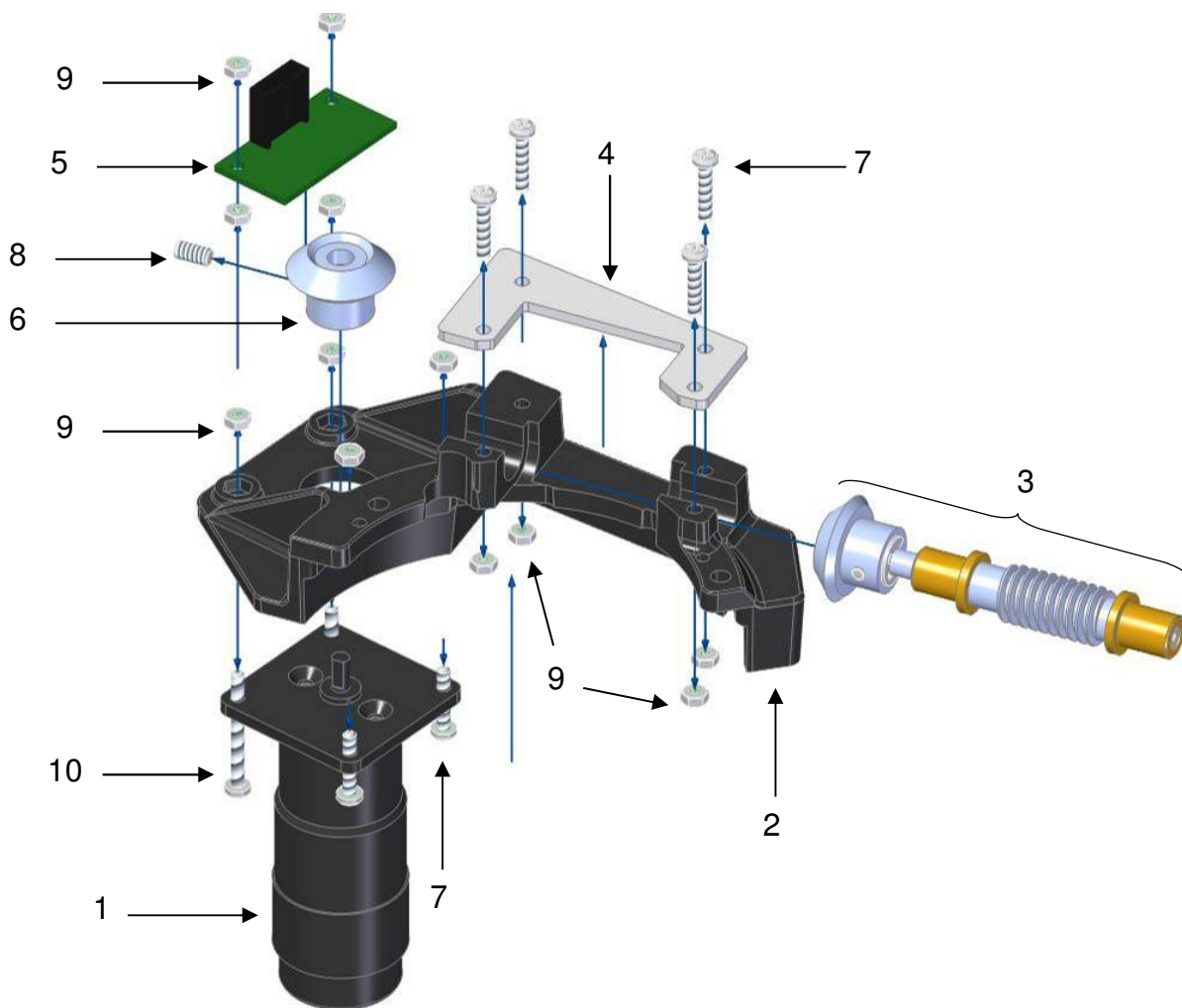
Pic. 1

POS	CODE	DESCRIPTION	NOTES
1	B-GR-0023	RING GEAR	
2	A-GR-0004	FIXED BURR CARRIER COMPLETE	See Pic. 5
3	B-GR-0011	SUPPORT PLATE ENGINE	
4	A-GR-0006	GRINDER ADJUSTMENT	See Pic. 3
5	B-GR-0052	TEMPERATURE PROBE PT1000 WITH FLANGE	
6	B-GR-0050	COVER OUTLET	
7	B-00-0006	CAPACITOR	
8	B-00-0114	FLANGED NUT M8	
9	B-00-0121	NUT M4	
10	B-00-0198	SCHOCK ADSORBER M4 x 10	
11	B-00-0192	SCREW TC+ M3 x 16	
12	B-GR-0080	SPOUT GASKET SET	
13	B-00-0182	SCRTEW TC+ M3 x 6	
14	B-00-0135	NUT M3	
15	B-00-0102	SCREW M4 x 8	
16	B-00-0194	PIN D3 x 16	



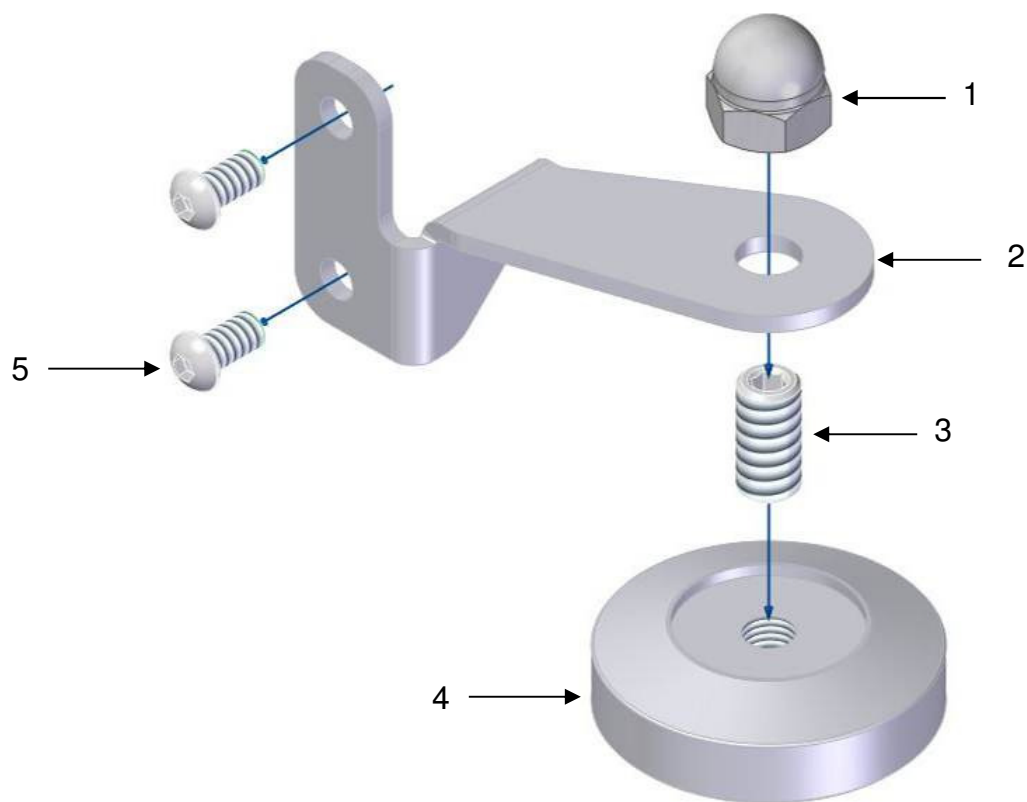
Pic. 2

POS	CODE	DESCRIPTION	NOTES
1			
1a	B-MK-7159	DC MOTOR 4 W 24 V	Up to SN G120130
1b	A-GR-0109	WIRING MOTOR 24 V GRINDER	From SN G120131
2	B-GR-0009	CASE GRINDER ADJUSTMENT	
3	A-GR-0010	COMPLETE WORM SCREW	
4	B-GR-0031	BRACKET BUSHING RETAINER	
5	B-GR-0018	HALL EFFECT CIRCUIT	Up to SN G120130
6	B-GR-0030	PINION Z 24 (MOTOR SIDE)	
7	B-00-0192	SCREW TC+ M3 x 16 DIN 7985 A	
8	B-00-0197	BRUB SCREW M4 x 6	
9	B-00-0135	NUT M3 UNI 5588 ZN	
10			
10a	B-00-0193	SCREW TC+ M3 x 30 DIN 7985 A	
10b	B-00-0192	SCREW TC+ M3 x 16 DIN 7985 A	



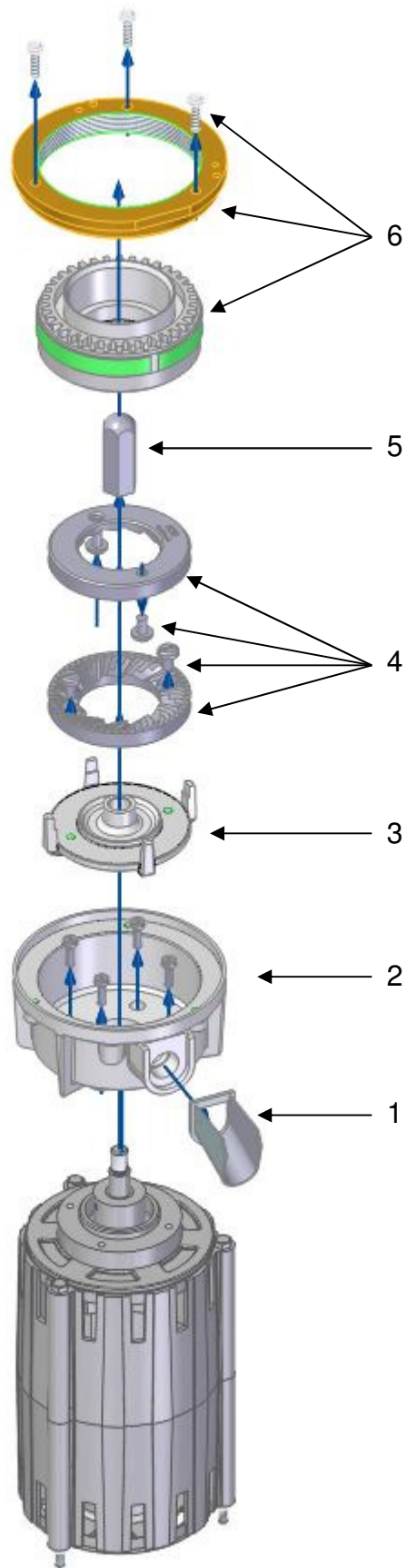
Pic. 3

POS	CODE	DESCRIPTION	NOTES
1	B-00-0213	NUT M10	
2	B-GR-0051	PRESSER SUPPORT	
3	B-00-0212	GRUB SCREW M10	
4	B-MC-0275	PRESSER D54	
5	B-00-0106	SCREW TBEI M6 x 14	



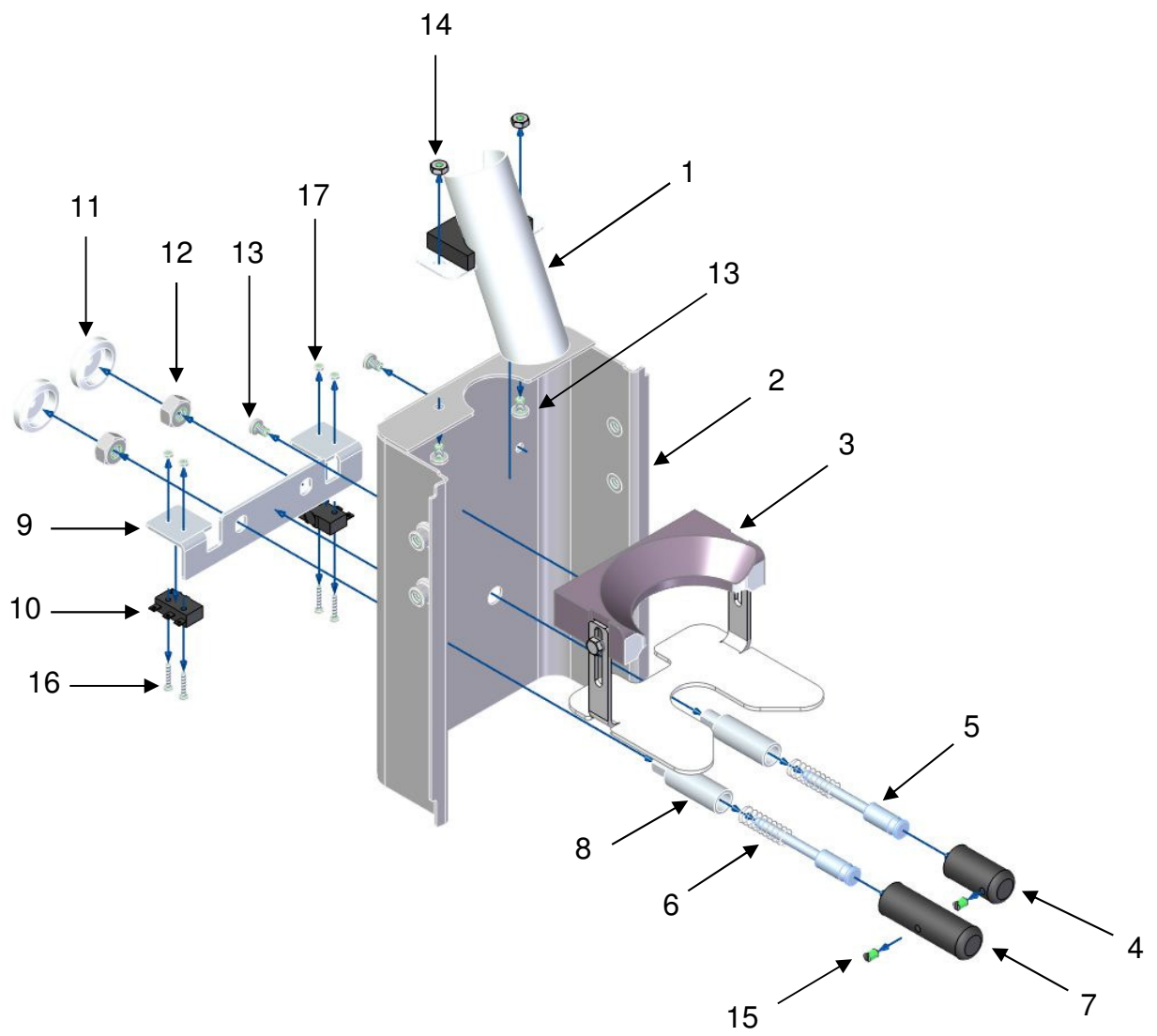
Pic. 4

POS	CODE	DESCRIPTION	NOTES
1	B-MK-10467	OUTLET	
2	B-MK-8247	GRINDING HOUSING	
3	B-MK-6213	ROTATING BURR CARRIER	
4	B-MK-10675	COMPLETE GRINDER DISC ROTATED/FIXED	
5	B-MK-7274	FIXING NUT ROTATING BURR CARRIER	
6	B-MK-2077	BURR CARRIER FIXED + THREAD RING DC-ONE	



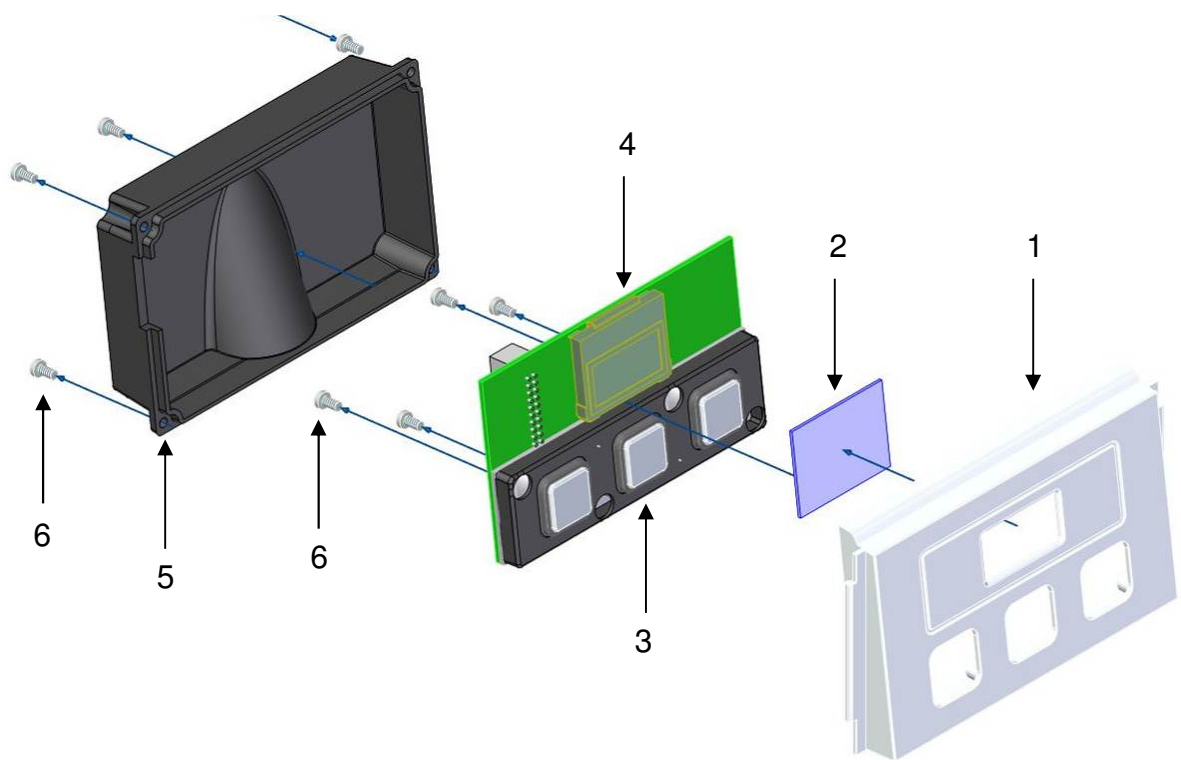
Pic. 5

POS	CODE	DESCRIPTION	NOTES
1	B-GR-0013	CONVEYER OUTLET COFFEE	
2	B-GR-0066	STAINLESS STEEL AISI 304 LOWER FRONT	
3	B-GR-0042	COMPLETE MOUNT FILTER HOLDER	
4	B-GR-0035	SINGLE DOSE PROBE	
5	B-GR-0026	PROBE AUCTION	
6	B-GR-0028	PROBE SPRING	
7	B-GR-0036	DOUBLE DOSE PROBE	
8	B-GR-0025	PROBE GUIDE	
9	B-GR-0029	MICRO SWITCH BRACKET	
10	B-00-0204	MICRO SWITCH	
11	B-GR-0027	PROBE MICRO HOUSING	
12	B-00-0120	NUT M 8	
13	B-00-0111	SCREW TC+ M4 x 6 INOX	
14	B-00-0121	NUT M4	
15	B-00-0195	GRUB SCREW M4 x 6	
16	B-00-0199	SCREW TC+ M2 x 12 INOX	
17	B-00-0200	NUT M2	

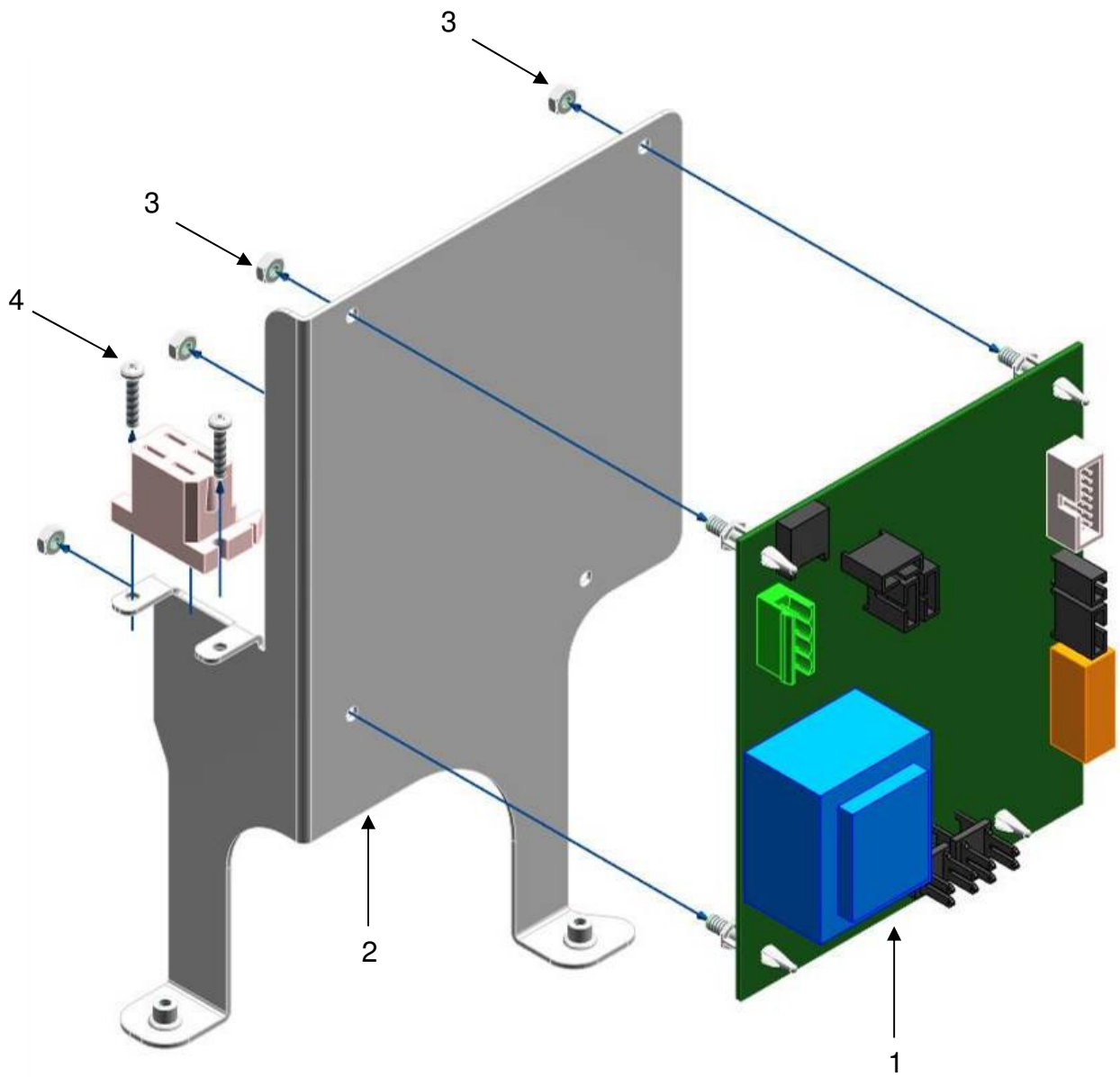


Pic. 6

POS	CODE	DESCRIPTION	NOTES
1			
1a	B-GR-0067	WHITE PAINTED FRONT PANEL CONTROLS	
1b	B-GR-0068	TITANIUM PAINTED FRONT PANEL CONTROLS	
1c	B-GR-0075	ALUMINUM PAINTED FRONT PANEL CONTROLS	
1d	B-GR-0133	BLACK PAINTED RAL 9005 FRONT PANEL CONTROLS	
2	B-GR-0019	SLIDE DISPLAY	
3	B-GR-0008	3 BUTTON KEYS DC-ONE	
4	B-GR-0016	KEYBOARD WITH DISPLAY DC-ONE	
5	B-GR-0015	BOTTOM FRONT DC-ONE	
6	B-00-0182	SCREW TC+ M3 x 6	

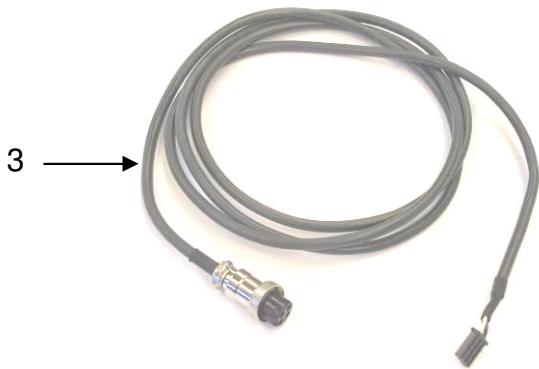
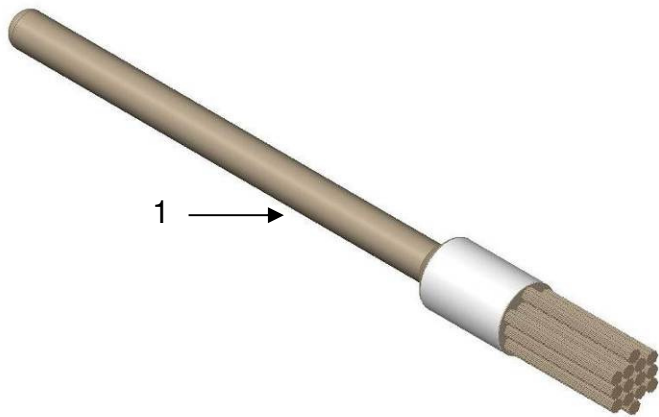


Pic. 7



Pic. 8

POS	CODE	DESCRIPTION	NOTES
1	B-00-0211	BRUSH FOR GRINDER CLEANING	
2			
2a	B-GR-0082	GRINDZ - GRINDER CLEANER (BOX 215 g)	
2b	B-GR-0096	GRINDZ - GRINDER CLEANER (BOX 430 g)	
3	B-GR-0055	DC-ONE - GRINDER SERIAL CABLE	
4	B-00-0214	SPANNER 7	



Pic. 9