

## Contents

1. Font Box Contents.....	2
2. Counter Cut-Out.....	2
3. Installation.....	4
No Drip Tray.....	4
Drip Tray.....	5
Connecting Hoses.....	6
4. Operating Font.....	7
5. Cleaning & Maintenance.....	7

---

## Font Box Contents

Part Number	Description	Qty	Application
1000858/9	1B Una Font/Tall	1	
1900033	Instruction Manual UNA font	1	
1860384	FRIIA Cold Button	1	
1860385	FRIIA Carbonated Button	1	
1860398	Font Cold Coffee Button	1	
1860399	Hot Coffee Button	1	
1860397	Concentrate Coffee Button	1	
1800630	Hose Silicone 8mm I.D. X 12mm O.D	2	Vent & SP9 hot hose
2301251	Tube FEP 5/32" ID x 1/4" OD x 500mm	1	Cold/sparkling hose
2301250	Tube FEP 6mm ID x 8mm OD x 500mm	1	MIX hot hose
1400820	8mm - 1/4" Parker Legris Reducer Connector	1	Adaptor for cold/sparkling hose
1401482	Plug Legris 6mm with tailpiece	1	Vent plug for cold/sparkling
1400773	Barbed Connector 5/16" - 3/8"	1	Adaptor for SP9

## Counter Cut Out

- The 100mm /4" cut out is only required for the font with drip tray.
- The font without drip tray require the 32mm / 1 ¼" cut out only.
- Use a 32mm/ 1 ¼" & a 100mm /4" circular hole saw piece to make the holes.

# Counter Cut Out

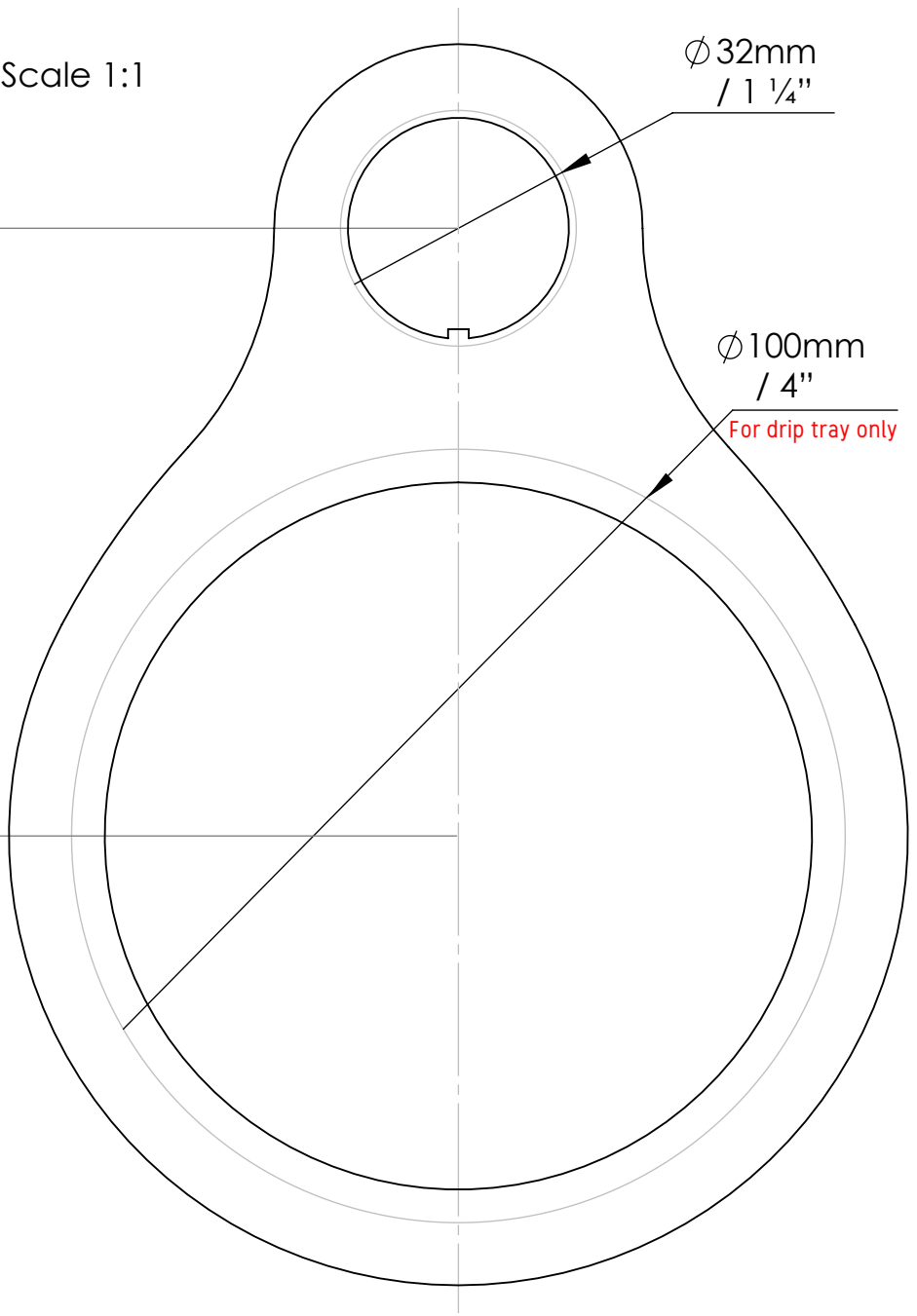
Scale 1:1

$\varnothing 32\text{mm}$   
/ 1 1/4"

$\varnothing 100\text{mm}$   
/ 4"

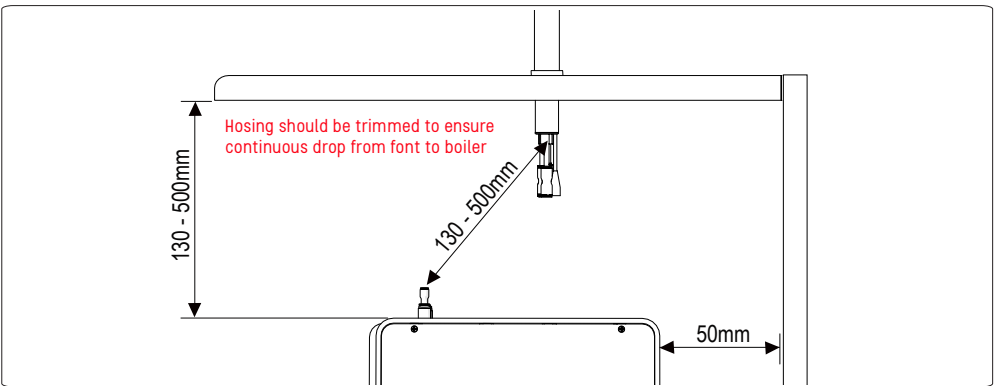
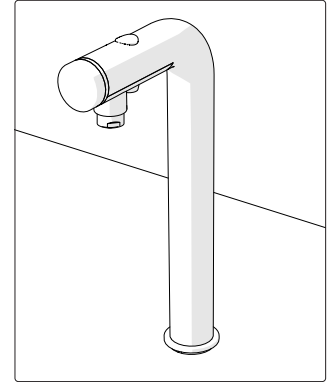
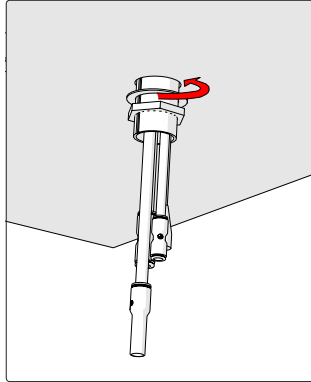
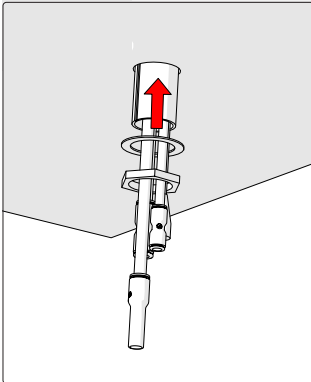
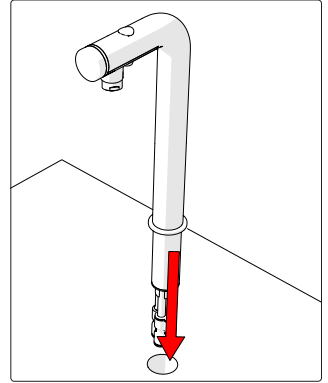
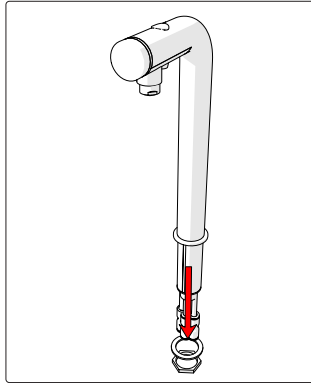
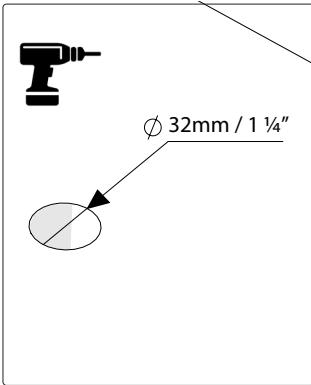
For drip tray only

NOTE: Check scale of template before cutting. Scale should be 1:1



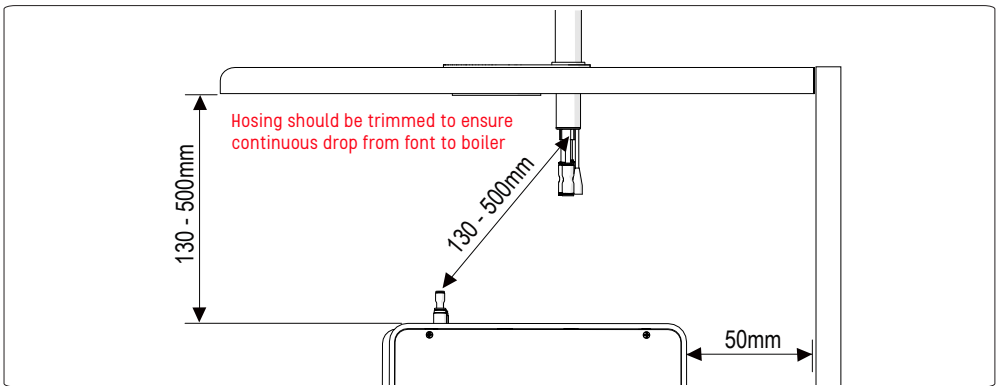
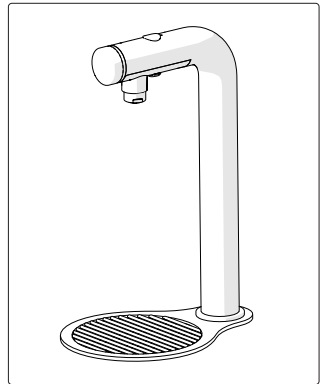
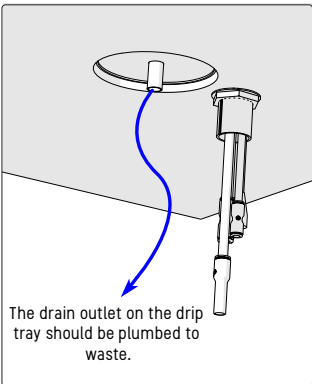
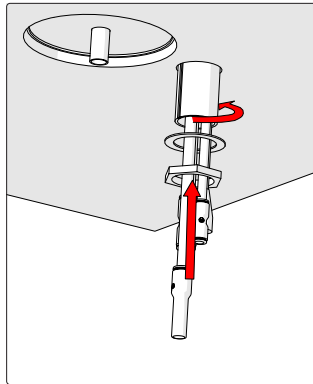
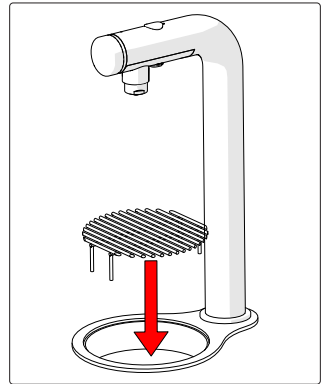
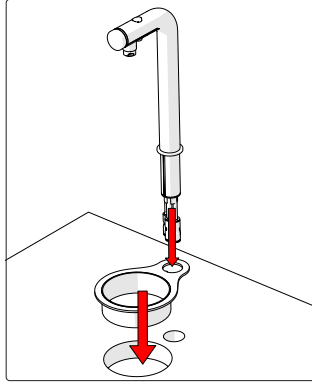
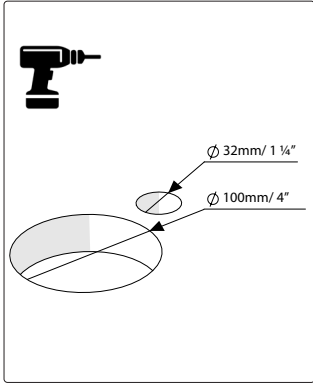
# Installation

## 1. No Drip Tray



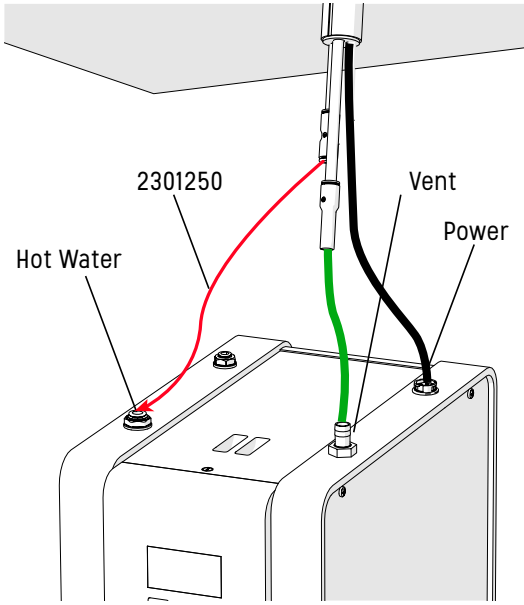
# Installation

## 2. Drip Tray (sold separately p/n. 2300268)

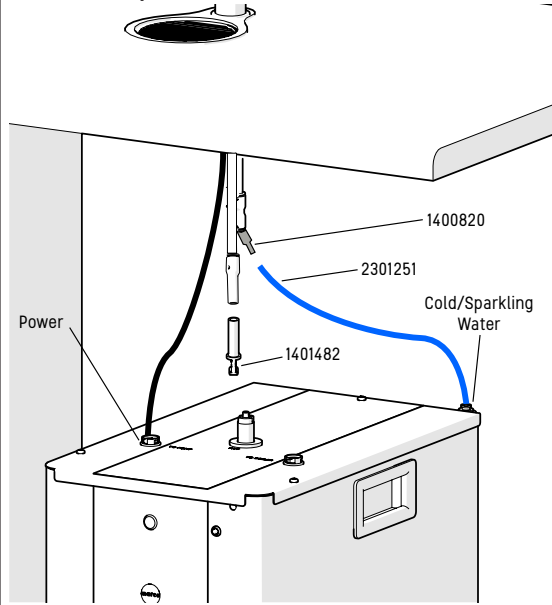


## Connecting Hoses

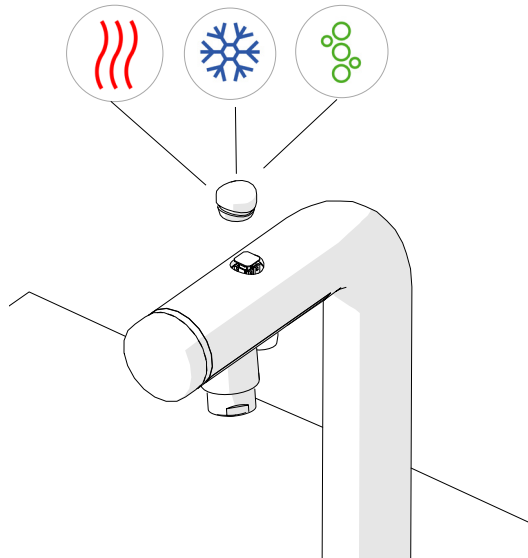
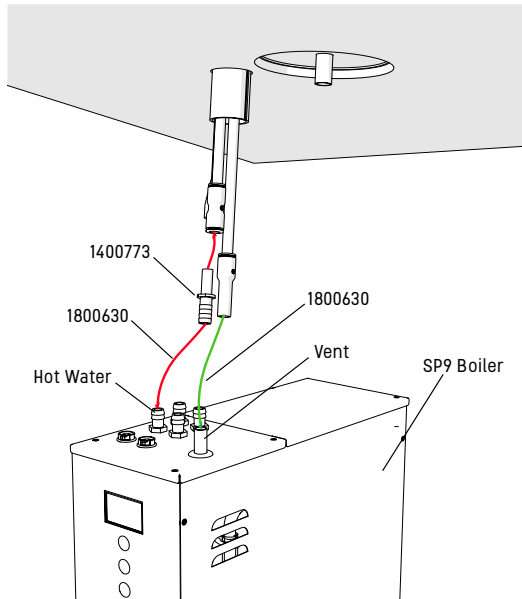
Hot



Cold / Sparkling

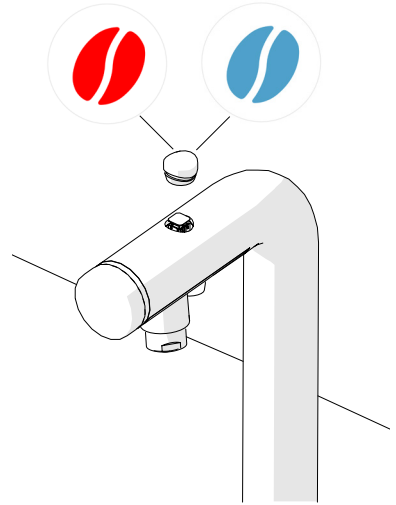
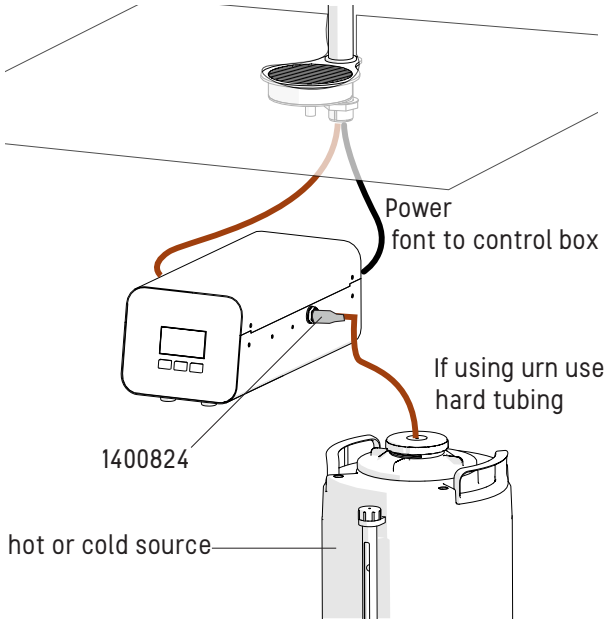


## SP9 Boiler Connection

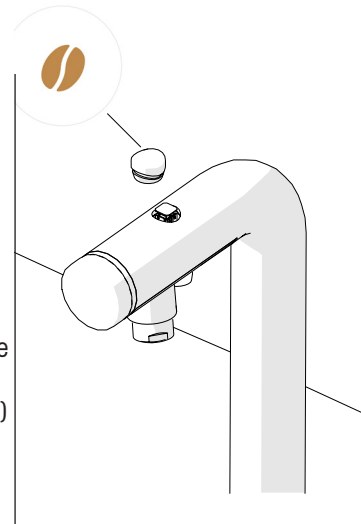
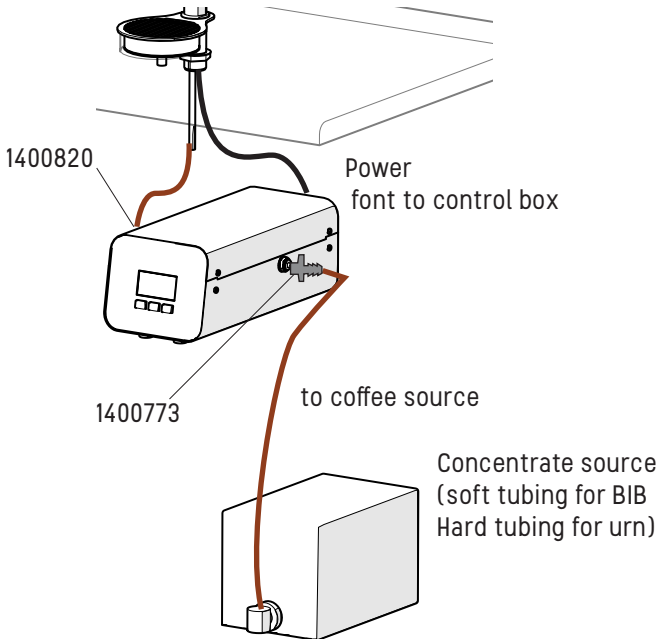


## UNA FONT - Connecting Hoses

### Hot / Cold Ready to drink

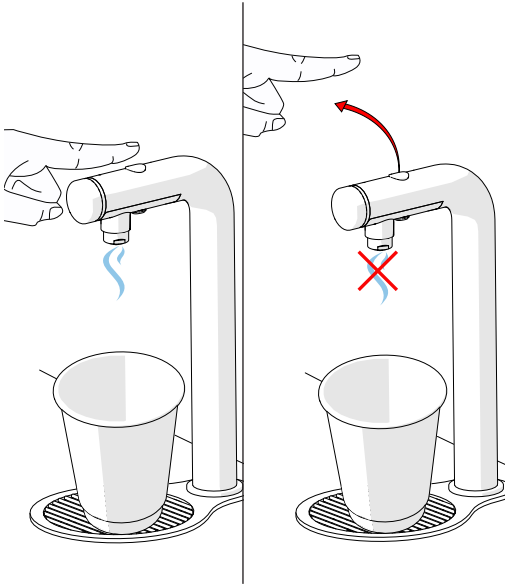


### Concentrate shot

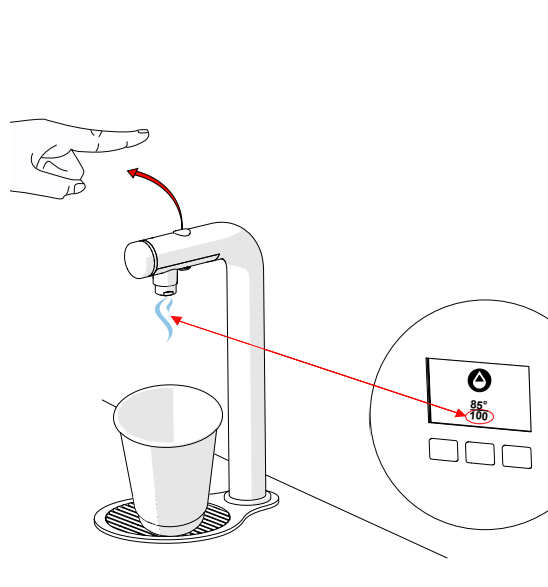


# Operating Font

## 1. Push & Hold



## 2. Push & Release



## Cleaning & Maintenance

### RISK OF SCALDING

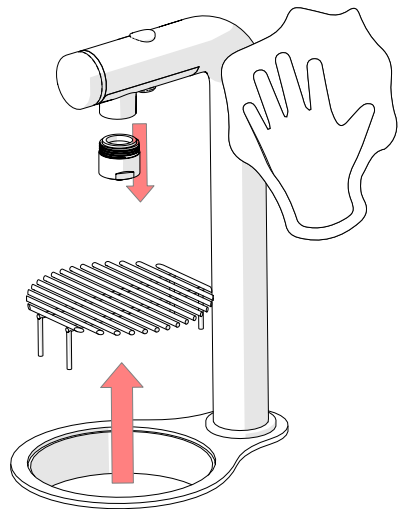
Turn off the boiler before cleaning to prevent accidental triggering of a dispense.

Beware of accidentally operating the font – especially when cleaning around the push buttons.

The exterior of this font may be cleaned with a damp cloth and a light detergent.

Twist off and wash out flow straightener.

Do not use abrasive cloths or creams, as this will spoil the finish of the font.





Marco Beverage Systems Limited.  
63d Heather Road,  
Sandyford Industrial Estate,  
Dublin 18  
t: +353 (0)1 295 2674  
f: +353 (0)1 295 3715  
e: sales@marco.ie  
[www.marco beveragesystems.com](http://www.marco beveragesystems.com)

