

AIR CONDITIONER

Ceiling type

SERVICE MANUAL

INDOOR



ABYG18KRTA
ABYG22KRTA



ABYG24KRTA
ABYG30KRTA



ABYG36KRTA
ABYG45KRTA

OUTDOOR



AOYG18KBTB
AOYG22KBTB



AOYG24KBTB



AOYG30KBTB
AOYG36KBTB



AOYG45KBTB

FUJITSU GENERAL LIMITED

Notices:

- Product specifications and design are subject to change without notice for future improvement.
- For further details, please check with our authorized dealer.

Trademarks

FGLair™ is trademark of Fujitsu General Limited in the United States, other countries or both.

Google Play™ is trademark of Google Inc.

App Store® is a service mark of Apple Inc., registered in the U.S. and other countries.

CONTENTS

1. GENERAL INFORMATION

2. TECHNICAL DATA AND PARTS LIST

3. TROUBLESHOOTING

4. CONTROL AND FUNCTIONS

5. FIELD WORKING

1. GENERAL INFORMATION

CONTENTS

1. GENERAL INFORMATION

1. Specifications	01-1
1-1. Indoor unit	01-1
1-2. Outdoor unit.....	01-7
2. Dimensions	01-10
2-1. Indoor unit	01-10
2-2. Outdoor unit.....	01-14

1. Specifications

1-1. Indoor unit

Type				Ceiling		
				Inverter heat pump		
Model name				ABYG18KRTA	ABYG22KRTA	
Power supply				230 V ~ 50 Hz		
Power supply intake				Outdoor unit		
Available voltage range				198—264 V		
Capacity	Cooling	Rated	kW	5.2	6.0	
			Btu/h	17,700	20,500	
		Min.—Max.	kW	0.9—5.9	0.9—6.7	
			Btu/h	3,100—20,100	3,100—22,900	
	Heating	Rated	kW	6.0	7.0	
			Btu/h	20,500	23,900	
Min.—Max.		kW	0.9—7.5	0.9—8.0		
		Btu/h	3,100—25,600	3,100—27,300		
Input power	Cooling	Rated	kW	1.55	1.87	
		Max.		2.32	2.44	
	Heating	Rated		1.62	1.95	
		Max.		2.41	2.60	
Current	Cooling	Rated	A	6.9	8.3	
	Heating			7.2	8.6	
EER	Cooling		kW/kW	3.35	3.21	
COP	Heating			3.70	3.59	
Power factor	Cooling		%	97.6	98.1	
	Heating			97.9	98.5	
Moisture removal			L/h (pints/h)	2.0 (3.5)	2.5 (4.4)	
Maximum operating current *1	Cooling		A	12.1	12.6	
	Heating			12.1	12.6	
Fan	Airflow rate	Cooling	HIGH	840	900	
			MED	790	790	
			LOW	710	710	
			QUIET	650	650	
		Heating	HIGH	840	900	
			MED	790	790	
			LOW	710	710	
			QUIET	650	650	
		Type × Q'ty			Sirocco × 2	
		Motor output			W	
			50			
Sound pressure level *2	Cooling	HIGH	dB (A)	38	42	
		MED		36	37	
		LOW		33	34	
		QUIET		31	31	
	Heating	HIGH		38	42	
		MED		36	37	
		LOW		33	34	
		QUIET		31	31	
Heat exchanger type	Dimensions (H × W × D)		mm	294 × 715 × 39.9		
	Fin pitch		mm	1.30		
	Rows × Stages			3 × 14		
	Pipe type			Copper		
	Fin type			Aluminum		
Enclosure	Material			Steel sheet		
	Color			White Approximate color of Munsell N9,25/		
Dimensions (H × W × D)	Net		mm	235 × 1,080 × 705		
	Gross			330 × 1,165 × 825		
Weight	Net		kg	24		
	Gross			33		
Connection pipe	Size	Liquid	mm (in)	Ø6.35 (Ø1/4)		
		Gas		Ø12.70 (Ø1/2)		
Drain hose	Method			Flare		
	Material			PVC		
Operation range	Tip diameter		mm	Ø25 (I.D.), Ø32 (O.D.)		
	Cooling			°C		
				°C		
Remote controller (Option)	Cooling		°C	18 to 32		
	Heating			%RH		
				80 or less		
				°C		
				16 to 30		

NOTES:

- Specifications are based on the following conditions:
 - Cooling: Indoor temperature of 27 °CDB/19 °CWB, and outdoor temperature of 35 °CDB/24 °CWB.
 - Heating: Indoor temperature of 20 °CDB/15 °CWB, and outdoor temperature of 7 °CDB/6 °CWB.
 - Pipe length: 5 m, Height difference: 0 m. (Between outdoor unit and indoor unit.)
- Protective function might work when using it outside the operation range.
- *1: Maximum current is maximum value when operated within the operation range.
- *2: Sound pressure level:
 - Measured values in manufacturer's anechoic chamber.
 - Because of the surrounding sound environment, the sound levels measured in actual installation conditions might be higher than the specified values here.
- *3: Available on Google Play™ store or on App Store®. Optional WLAN adapter is also required. For details, refer to the setting manual.
- This data is based on EN 14511 standard.

Specifications for ErP Lot10				
Model name		ABYG18KRTA		ABYG22KRTA
Energy efficiency class	Cooling			A ⁺⁺
	Heating (Average)			A ⁺
P _{design}	Cooling	kW	5.2 (35°C)	6.0 (35°C)
	Heating (Average)		4.4 (-10°C)	4.8 (-10°C)
SEER	Cooling	kWh/kWh	6.2	6.1
SCOP	Heating (Average)		4.1	4.0
Annual energy consumption	QCE	kWh/a	293	344
	QHE (Average)		1,501	1,677
Sound power level	Cooling	HIGH	dB (A)	53
	Heating			53

Type				Ceiling		
				Inverter heat pump		
Model name				ABYG24KRTA	ABYG30KRTA	
Power supply				230 V ~ 50 Hz		
Power supply intake				Outdoor unit		
Available voltage range				198—264 V		
Capacity	Cooling	Rated	kW	6.8	8.5	
			Btu/h	23,200	29,000	
		Min.—Max.	kW	0.9—8.0	2.8—10.0	
			Btu/h	3,100—27,300	9,600—34,100	
	Heating	Rated	kW	7.5	10.0	
			Btu/h	25,600	34,100	
Min.—Max.		kW	0.9—9.1	2.7—11.2		
		Btu/h	3,100—31,000	9,200—38,200		
Input power	Cooling	Rated	kW	2.14	2.65	
				Max.	2.92	4.14
	Heating	Rated	1.97	2.77		
			Max.	2.59	4.38	
Current	Cooling	Rated	A	9.5	11.7	
	Heating			8.7	12.2	
EER	Cooling			3.18	3.21	
COP	Heating			3.81	3.61	
Power factor	Cooling			98.3	98.5	
	Heating			98.4	98.8	
Moisture removal			L/h (pints/h)	2.2 (3.9)	3.0 (5.3)	
Maximum operating current *1		Cooling	A	13.6	22.6	
		Heating		13.6	22.6	
Fan	Airflow rate	Cooling	HIGH	1,230	1,400	
			MED	990	1,120	
			LOW	860	980	
			QUIET	700	800	
		Heating	HIGH	1,230	1,400	
			MED	990	1,120	
			LOW	860	980	
			QUIET	700	800	
	Type × Q'ty				Sirocco × 3	
	Motor output		W		80	
Sound pressure level *2		Cooling	HIGH	41	45	
			MED	36	40	
			LOW	32	35	
			QUIET	29	32	
		Heating	HIGH	41	45	
			MED	36	40	
			LOW	32	35	
			QUIET	29	32	
Heat exchanger type		Dimensions (H × W × D)		mm		
		Fin pitch		mm		
		Rows × Stages				
		Pipe type				
		Fin type				
Enclosure		Material		Steel sheet		
		Color		White Approximate color of Munsell N9.25/		
Dimensions (H × W × D)		Net		mm		
		Gross				
Weight		Net		kg		
		Gross				
Connection pipe		Size	Liquid	Ø6.35 (Ø1/4)	Ø9.52 (Ø3/8)	
			Gas	Ø12.70 (Ø1/2)	Ø15.88 (Ø5/8)	
Drain hose		Method		Flare		
Material				PVC		
Tip diameter		mm		Ø25 (I.D.), Ø32 (O.D.)		
Operation range		Cooling	°C	18 to 32		
			%RH	80 or less		
Heating		°C	16 to 30			
Remote controller (Option)				Wired remote controller, Wireless remote controller, Mobile app*3 (FGLair™)		
NOTES:						
<ul style="list-style-type: none"> • Specifications are based on the following conditions: <ul style="list-style-type: none"> – Cooling: Indoor temperature of 27 °CDB/19 °CWB, and outdoor temperature of 35 °CDB/24 °CWB. – Heating: Indoor temperature of 20 °CDB/15 °CWB, and outdoor temperature of 7 °CDB/6 °CWB. – Pipe length: 5 m, Height difference: 0 m. (Between outdoor unit and indoor unit.) • Protective function might work when using it outside the operation range. • *1: Maximum current is maximum value when operated within the operation range. • *2: Sound pressure level: <ul style="list-style-type: none"> – Measured values in manufacturer's anechoic chamber. – Because of the surrounding sound environment, the sound levels measured in actual installation conditions might be higher than the specified values here. • *3: Available on Google Play™ store or on App Store®. Optional WLAN adapter is also required. For details, refer to the setting manual. • This data is based on EN 14511 standard. 						

Specifications for ErP Lot10				
Model name		ABYG24KRTA		ABYG30KRTA
Energy efficiency class	Cooling			A ⁺⁺
	Heating (Average)			A ⁺
P _{design}	Cooling	kW	6.8 (35°C)	8.5 (35°C)
	Heating (Average)		6.0 (-10°C)	8.0 (-10°C)
SEER	Cooling	kWh/kWh	6.2	6.1
SCOP	Heating (Average)		4.1	4.0
Annual energy consumption	QCE	kWh/a	384	486
	QHE (Average)		2,042	2,796
Sound power level	Cooling	HIGH	dB (A)	60
	Heating			60

Type				Ceiling			
				Inverter heat pump			
Model name				ABYG36KRTA	ABYG45KRTA		
Power supply				230 V ~ 50 Hz			
Power supply intake				Outdoor unit			
Available voltage range				198—264 V			
Capacity	Cooling	Rated	kW	9.5	12.1		
			Btu/h	32,400	41,300		
		Min.—Max.	kW	2.8—11.2	4.0—13.5		
			Btu/h	9,600—38,200	13,600—46,000		
	Heating	Rated	kW	10.8	13.5		
			Btu/h	36,900	46,000		
Min.—Max.		kW	2.7—12.7	4.2—16.2			
		Btu/h	9,200—43,300	14,300—55,300			
Input power	Cooling	Rated	kW	2.96	4.22		
				Max.	4.52	4.79	
	Heating	Rated	2.88	3.84			
			Max.	4.31	4.81		
Current	Cooling	Rated	A	13.1	18.6		
	Heating			12.7	16.9		
EER	Cooling			kW/kW	3.21	2.87	
COP	Heating			kW/kW	3.75	3.52	
Power factor	Cooling			%	98.9	99.0	
	Heating			%	98.8	98.9	
Moisture removal			L/h (pints/h)	2.6 (4.6)	4.5 (7.9)		
Maximum operating current *1		Cooling	A	22.6	28.5		
		Heating		22.6	28.5		
Fan	Airflow rate	Cooling	m ³ /h	HIGH	1,850	1,900	
				MED	1,470	1,510	
				LOW	1,300	1,380	
				QUIET	1,050	1,130	
		Heating	HIGH	1,800	1,850		
			MED	1,470	1,510		
			LOW	1,300	1,380		
			QUIET	1,050	1,130		
	Type × Q'ty		Sirocco × 4				
	Motor output		W				
		110					
Sound pressure level *2		Cooling	dB (A)	HIGH	44	45	
				MED	40	41	
				LOW	37	39	
				QUIET	32	34	
		Heating	HIGH	44	45		
			MED	40	41		
			LOW	37	39		
			QUIET	32	34		
Heat exchanger type		Dimensions (H × W × D)		mm	294 × 1,335 × 39.9		
		Fin pitch		mm	1.30		
		Rows × Stages		3 × 14			
		Pipe type		Copper			
		Fin type		Aluminum			
Enclosure	Material			Steel sheet			
	Color			White Approximate color of Munsell N9.25/			
Dimensions (H × W × D)	Net		mm	235 × 1,700 × 705			
	Gross			330 × 1,785 × 825			
Weight	Net		kg	38			
	Gross			48			
Connection pipe	Size	Liquid	mm (in)	Ø9.52 (Ø3/8)			
		Gas		Ø15.88 (Ø5/8)			
	Method		Flare				
Drain hose	Material			PVC			
	Tip diameter		mm	Ø25 (I.D.), Ø32 (O.D.)			
Operation range		Cooling	%RH	18 to 32			
				Heating	80 or less		
			°C	16 to 30			
Remote controller (Option)				Wired remote controller, Wireless remote controller, Mobile app*3 (FGLair™)			
NOTES:							
<ul style="list-style-type: none"> Specifications are based on the following conditions: <ul style="list-style-type: none"> Cooling: Indoor temperature of 27 °CDB/19 °CWB, and outdoor temperature of 35 °CDB/24 °CWB. Heating: Indoor temperature of 20 °CDB/15 °CWB, and outdoor temperature of 7 °CDB/6 °CWB. Pipe length: 5 m, Height difference: 0 m. (Between outdoor unit and indoor unit.) Protective function might work when using it outside the operation range. *1: Maximum current is maximum value when operated within the operation range. *2: Sound pressure level: <ul style="list-style-type: none"> Measured values in manufacturer's anechoic chamber. Because of the surrounding sound environment, the sound levels measured in actual installation conditions might be higher than the specified values here. *3: Available on Google Play™ store or on App Store®. Optional WLAN adapter is also required. For details, refer to the setting manual. This data is based on EN 14511 standard. 							

Specifications for ErP Lot10				
Model name			ABYG36KRTA	
Energy efficiency class	Cooling		A++	
	Heating (Average)		A+	
Pdesign	Cooling	kW	9.5 (35°C)	
	Heating (Average)		8.7 (-10°C)	
SEER	Cooling	kWh/kWh	6.37	
SCOP	Heating (Average)		4.21	
Annual energy consumption	QCE		kWh/a	524
	QHE (Average)			2,904
Sound power level	Cooling	HIGH	dB (A)	59
	Heating			59

1-2. Outdoor unit

Type				Inverter heat pump				
Model name				AOYG18KBTB		AOYG22KBTB		
Power supply				230 V ~ 50 Hz				
Power supply intake				Outdoor unit				
Available voltage range				198–264 V				
Starting current				A				
				7.1		8.2		
Fan	Airflow rate	Cooling	m ³ /h	2,160		2,240		
		Heating		1,830		1,960		
	Type × Qty		Propeller × 1					
	Motor output		W		49			
Sound pressure level *1		Cooling	dB (A)	50		51		
		Heating		50		51		
Sound power level		Cooling	dB (A)	62		63		
		Heating		62		63		
Heat exchanger type		Dimensions (H × W × D)	mm	Main1: 588 × 881 × 18.19				
				Main2: 588 × 851 × 18.19				
		Fin pitch	1.3					
		Rows × Stages	1 × 28					
		Pipe type	Copper					
		Fin	Type (Material)	Aluminum				
	Surface treatment	PC fin						
Compressor		Type	DC Twin rotary					
		Motor output	W		900			
					1,060			
Refrigerant		Type (Global warming potential)	R32 (675)					
		Factory charge	g		1,020		1,250	
Refrigerant oil		Type			FW68S		RmM68AF	
		Amount	cm ³		350		400	
Enclosure		Material	Steel sheet					
		Color	Beige					
			Approximate color of Munsell 10YR 7.5/1.0					
Dimensions (H × W × D)		Net			632 × 799 × 290			
		Gross			692 × 940 × 375			
Weight		Net			36		38	
		Gross			40		42	
Connection pipe		Size	mm (in)	Ø6.35 (Ø1/4)				
				Ø12.70 (Ø1/2)				
		Method	Flare					
		Pre-charge length			20			
		Max. length			30			
		Max. height difference			20		25	
Operation range		Cooling	°C	-15 to 46				
		Heating		-15 to 24				
Drain hose		Material	PP					
		Tip diameter	mm		Ø13.0 (I. D.), Ø16.0 to Ø16.8 (O. D.)			

NOTES:

- Specifications are based on the following conditions:
 - Cooling: Indoor temperature of 27 °CDB/19 °CWB, and outdoor temperature of 35 °CDB/24 °CWB.
 - Heating: Indoor temperature of 20 °CDB/15 °CWB, and outdoor temperature of 7 °CDB/6 °CWB.
 - Pipe length: 5 m, Height difference: 0 m. (Between outdoor unit and indoor unit.)
- Protective function might work when using it outside the operation range.
- *1: Sound pressure level
 - Measured values in manufacturer's anechoic chamber.
 - Because of the surrounding sound environment, the sound levels measured in actual installation conditions might be higher than the specified values here.
- This data is based on EN 14511 standard.

Type				Inverter heat pump				
Model name				AOYG24KBTB		AOYG30KBTB		
Power supply				230 V ~ 50 Hz				
Power supply intake				Outdoor unit				
Available voltage range				198—264 V				
Starting current				A				
				8.4		11.1		
Fan	Airflow rate	Cooling	m ³ /h	2,700		3,750		
		Heating		2,700		3,750		
	Type × Q'ty		Propeller × 1					
	Motor output		W		49		100	
Sound pressure level *1	Cooling	dB (A)	53		53			
			Heating	54		55		
Sound power level	Cooling	dB (A)	65		68			
			Heating	66		69		
Heat exchanger type	Dimensions (H × W × D)	mm	Main1: 672 × 881 × 18.19		Main1: 756 × 905 × 18.19			
			Main2: 672 × 851 × 18.19		Main2: 756 × 905 × 18.19			
	Fin pitch		1.30		1.45			
	Rows × Stages		1 × 32		1 × 36			
	Pipe type		Copper					
	Fin		Type (Material)	Aluminum		Blue fin		
		Surface treatment	PC fin					
Compressor	Type		DC Twin rotary					
	Motor output		W		1,060		1,500	
Refrigerant	Type (Global warming potential)		R32 (675)					
	Factory charge		g		1,250		1,900	
Refrigerant oil	Type		RmM68AF		FW68D			
	Amount		cm ³		400		600	
Enclosure	Material		Steel sheet					
	Color		Beige Approximate color of Munsell 10YR 7.5/1.0					
Dimensions (H × W × D)	Net		mm		716 × 820 × 315		788 × 940 × 320	
	Gross				776 × 961 × 450		966 × 1,027 × 445	
Weight	Net		kg		42		52	
	Gross				46		60	
Connection pipe	Size	Liquid	mm (in)	Ø6.35 (Ø1/4)		Ø9.52 (Ø3/8)		
		Gas		Ø12.70 (Ø1/2)		Ø15.88 (Ø5/8)		
	Method		Flare					
	Pre-charge length		m		20		30	
	Max. length				30		50	
	Max. height difference				25		30	
Operation range	Cooling	°C	-15 to 46					
			Heating	-15 to 24				
Drain hose	Material		PP		LDPE			
	Tip diameter		mm		Ø13.0 (I. D.), Ø16.0 to Ø16.7 (O. D.)			
NOTES:								
<ul style="list-style-type: none"> Specifications are based on the following conditions: <ul style="list-style-type: none"> Cooling: Indoor temperature of 27 °CDB/19 °CWB, and outdoor temperature of 35 °CDB/24 °CWB. Heating: Indoor temperature of 20 °CDB/15 °CWB, and outdoor temperature of 7 °CDB/6 °CWB. Pipe length: 5 m, Height difference: 0 m. (Between outdoor unit and indoor unit.) Protective function might work when using it outside the operation range. *1: Sound pressure level <ul style="list-style-type: none"> Measured values in manufacturer's anechoic chamber. Because of the surrounding sound environment, the sound levels measured in actual installation conditions might be higher than the specified values here. This data is based on EN 14511 standard. 								

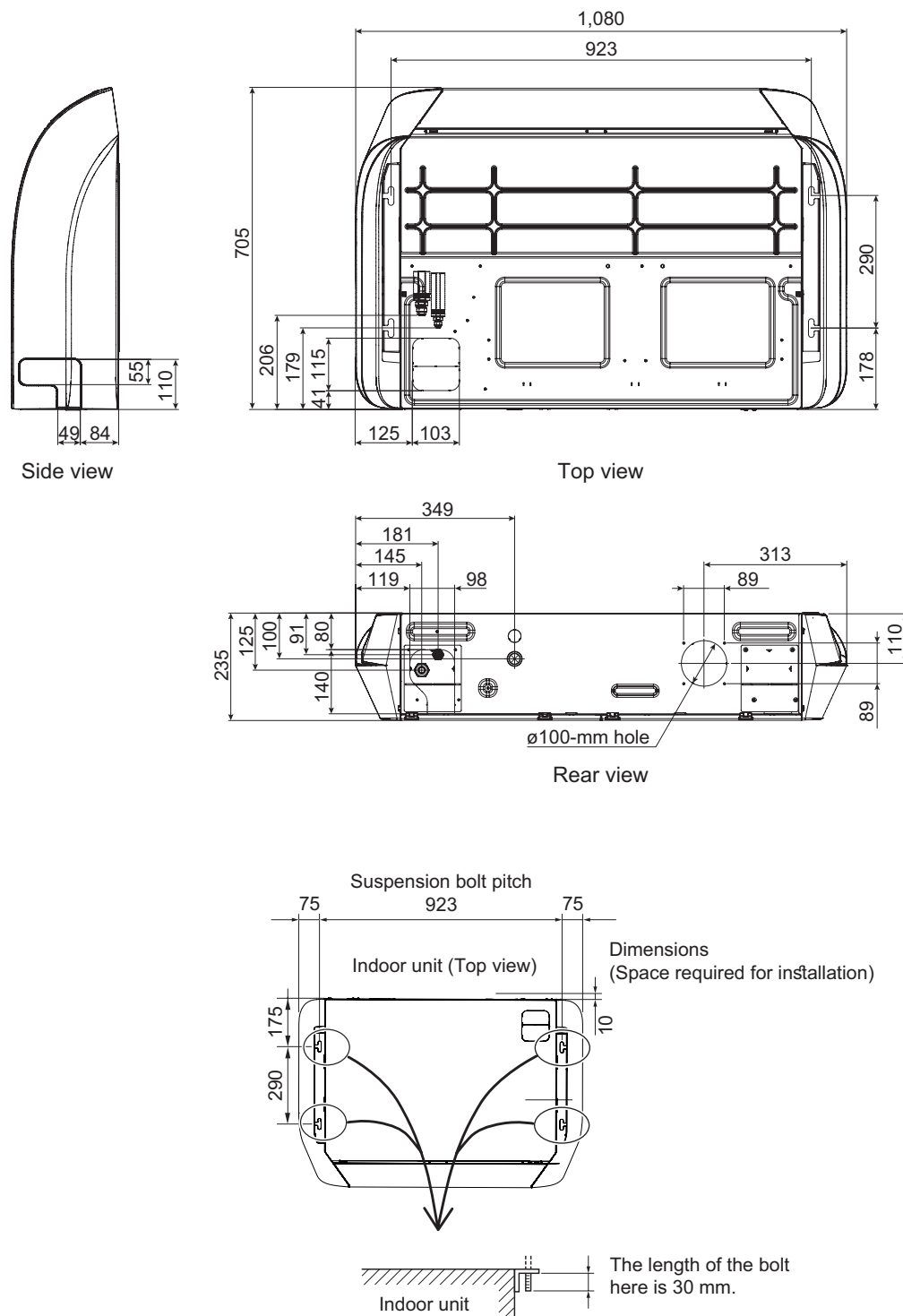
Type				Inverter heat pump				
Model name				AOYG36KBTB		AOYG45KBTB		
Power supply				230 V ~ 50 Hz				
Power supply intake				Outdoor unit				
Available voltage range				198–264 V				
Starting current				A		13.0		
Fan	Airflow rate	Cooling	m ³ /h	3,750		4,450		
		Heating		3,750		4,450		
	Type × Q'ty		Propeller × 1					
	Motor output		W		100		120	
Sound pressure level *1	Cooling	Heating	dB (A)	55		57		
				55		57		
Sound power level	Cooling	Heating	dB (A)	70		71		
				70		71		
Heat exchanger type	Dimensions (H × W × D)		mm	Main1: 756 × 905 × 18.19 Main2: 756 × 905 × 18.19		Main1: 966 × 905 × 18.19 Main2: 966 × 905 × 18.19 Sub: 966 × 543 × 18.19		
	Fin pitch			1.45				
	Rows × Stages				1 × 36		1 × 46	
	Pipe type		Copper					
	Fin		Type (Material)		Aluminum			
			Surface treatment		Blue fin			
Compressor	Type × Q'ty		DC Twin rotary × 1					
	Motor output		W		1,500		2,180	
Refrigerant	Type (Global warming potential)		R32 (675)					
	Factory charge		g		1,900		2,700	
Refrigerant oil	Type		FW68D		RmM68AF			
	Amount		cm ³		600		800	
Enclosure	Material		Steel sheet					
	Color		Beige Approximate color of Munsell 10YR 7.5/1.0					
Dimensions (H × W × D)	Net		mm	788 × 940 × 320		998 × 940 × 320		
	Gross			966 × 1,027 × 445		1,176 × 1,027 × 445		
Weight	Net		kg	52		67		
	Gross			60		75		
Connection pipe	Size	Liquid	mm (in)	Ø9.52 (Ø3/8)				
		Gas		Ø15.88 (Ø5/8)				
	Method		Flare					
	Pre-charge length		30					
	Max. length		50					
Max. height difference		30						
Operation range	Cooling	Heating	°C	-15 to 46				
				-15 to 24				
Drain hose	Material		LDPE					
	Tip diameter		mm		Ø13.0 (I. D.), Ø16.0 to Ø16.7 (O. D.)			
NOTES:								
<ul style="list-style-type: none"> • Specifications are based on the following conditions: <ul style="list-style-type: none"> – Cooling: Indoor temperature of 27 °CDB/19 °CWB, and outdoor temperature of 35 °CDB/24 °CWB. – Heating: Indoor temperature of 20 °CDB/15 °CWB, and outdoor temperature of 7 °CDB/6 °CWB. – Pipe length: 5 m, Height difference: 0 m. (Between outdoor unit and indoor unit.) • Protective function might work when using it outside the operation range. • *1: Sound pressure level <ul style="list-style-type: none"> – Measured values in manufacturer's anechoic chamber. – Because of the surrounding sound environment, the sound levels measured in actual installation conditions might be higher than the specified values here. • This data is based on EN 14511 standard. 								

2. Dimensions

2-1. Indoor unit

■ Models: ABYG18KRTA and ABYG22KRTA

Unit: mm

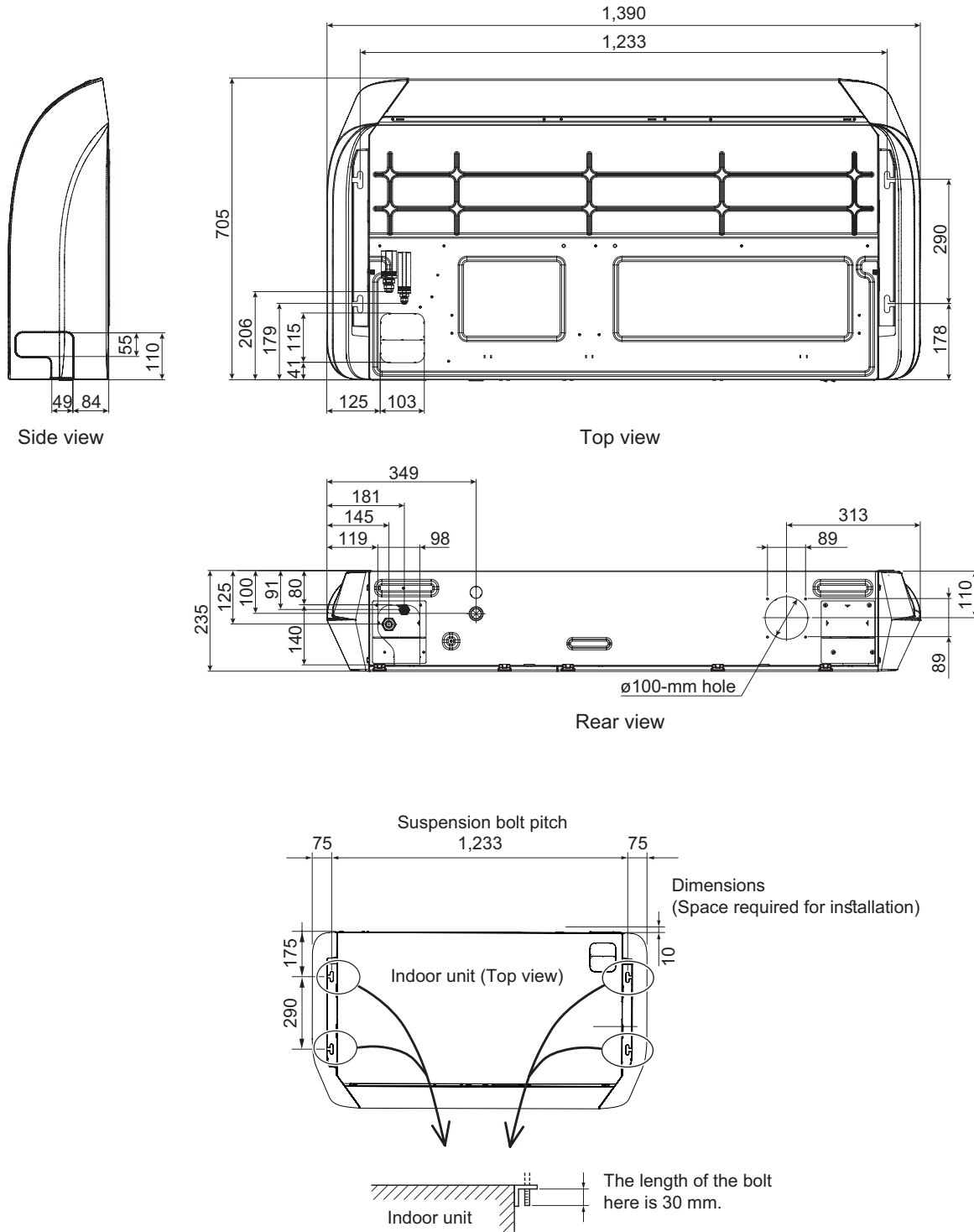


■ Models: ABYG24KRTA and ABYG30KRTA

Unit: mm

GENERAL INFORMATION

GENERAL INFORMATION

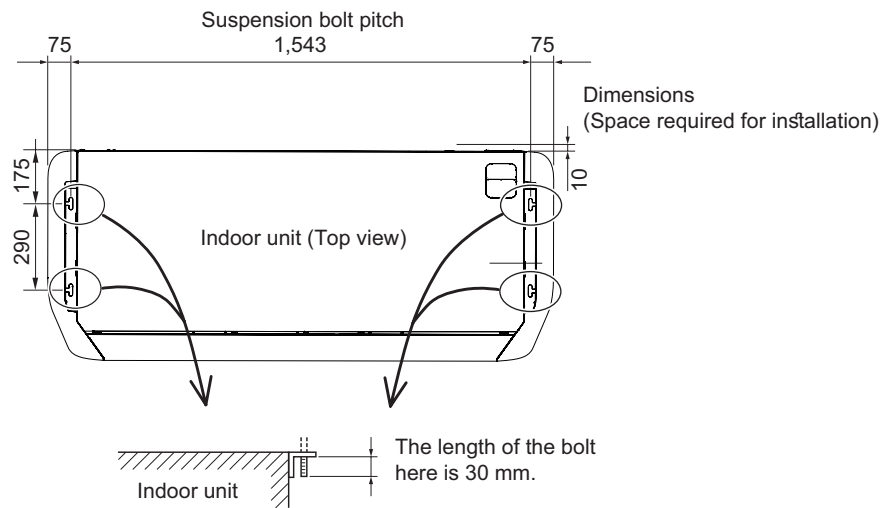
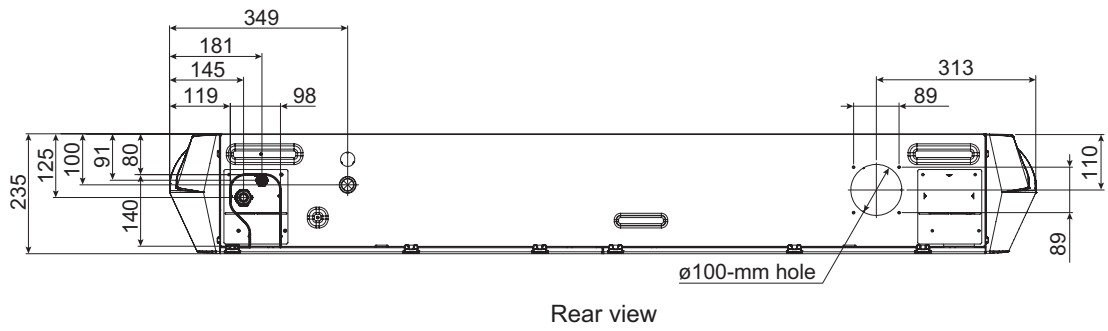
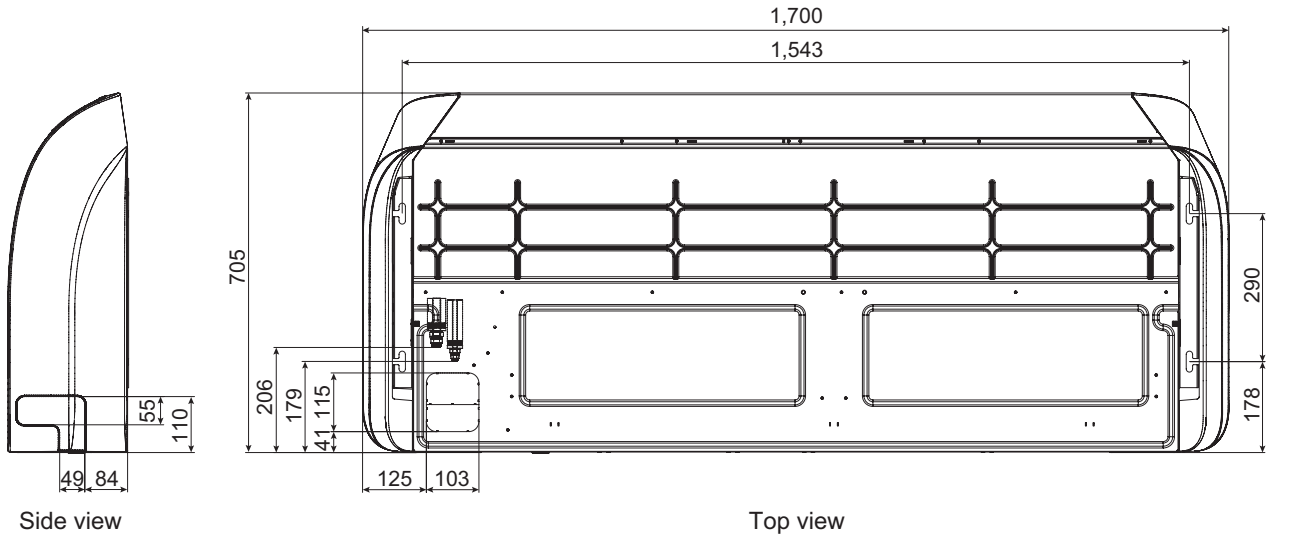


Models: ABYG36KRTA and ABYG45KRTA

Unit: mm

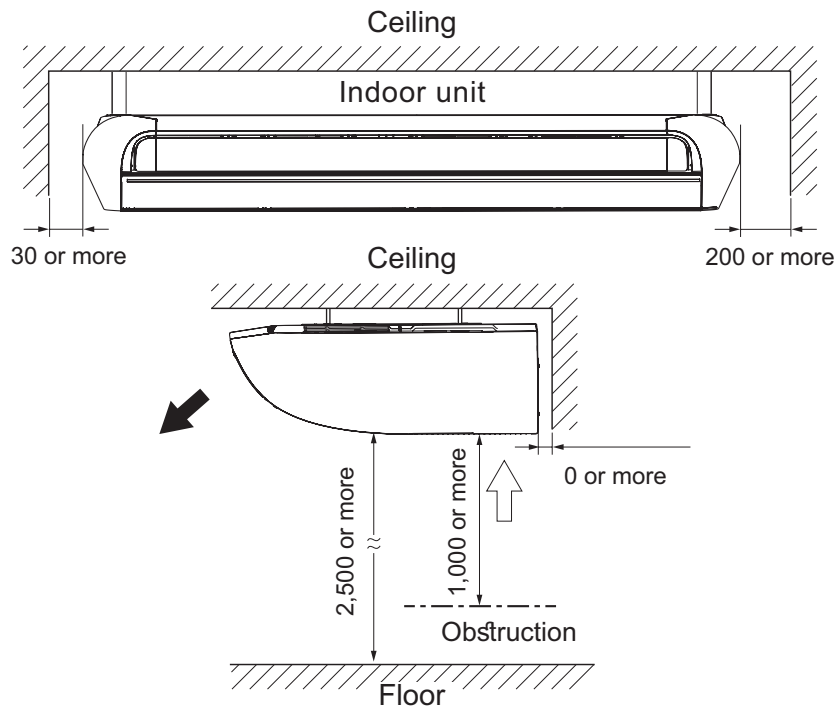
GENERAL INFORMATION

GENERAL INFORMATION



■ Installation space requirements

Unit: mm



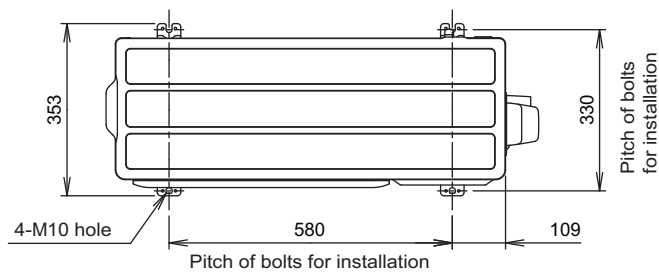
Required ceiling height varies according to the ceiling mode setting of function setting No. 20.

Ceiling height (m)		
Ceiling mode	Standard	High ceiling
18, 22, 24, and 30 models	2.7	3.5
36 and 45 models	3.5	4.3

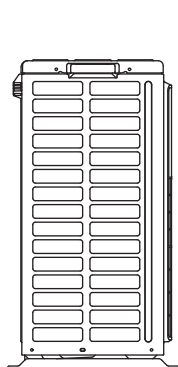
2-2. Outdoor unit

■ Models: AOYG18KBTB and AOYG22KBTB

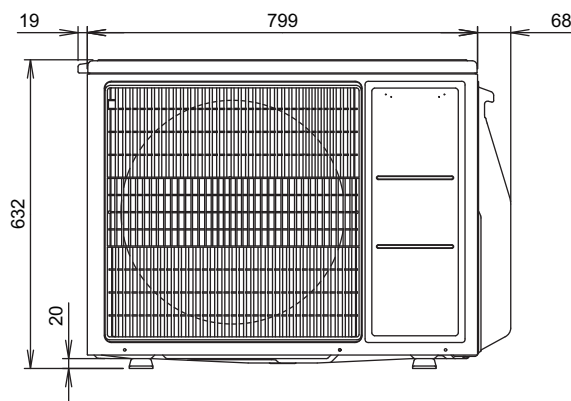
Unit: mm



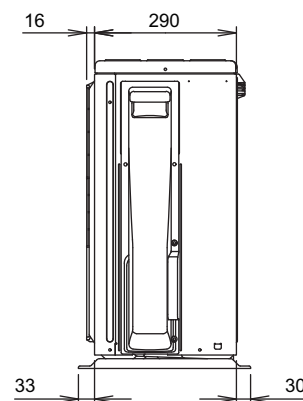
Top view



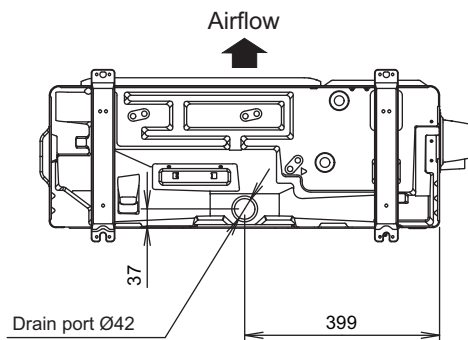
Side view



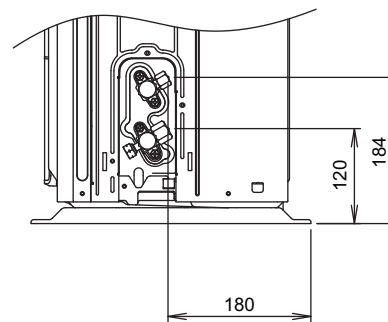
Front view



Side view



Bottom view



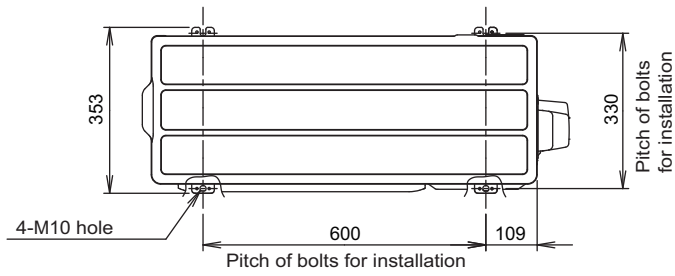
Side view (Valve part)

■ Model: AOYG24KBTB

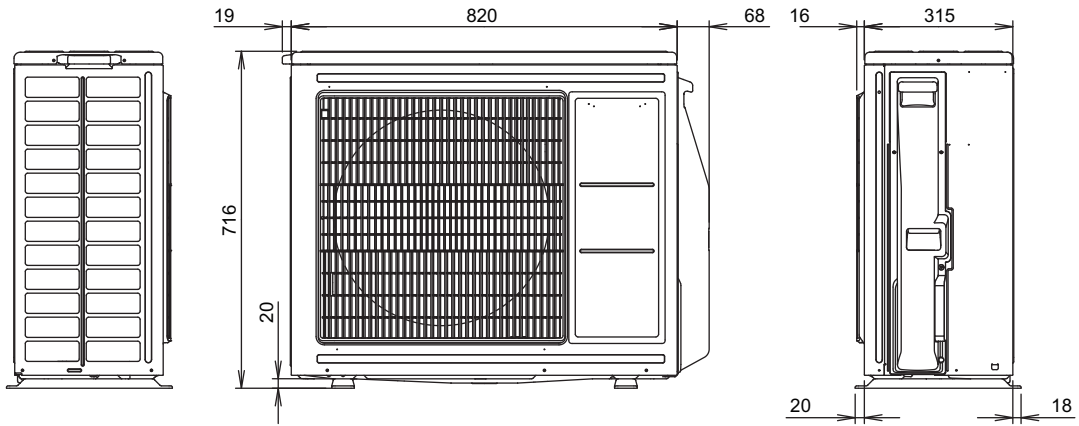
Unit: mm

GENERAL INFORMATION

GENERAL INFORMATION



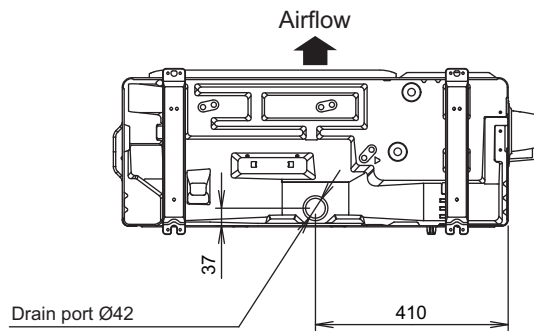
Top view



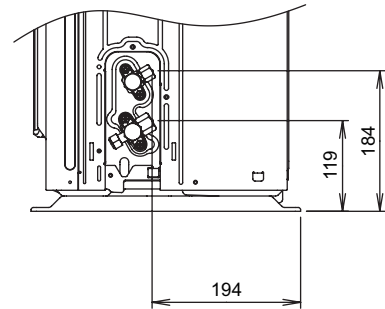
Side view

Front view

Side view



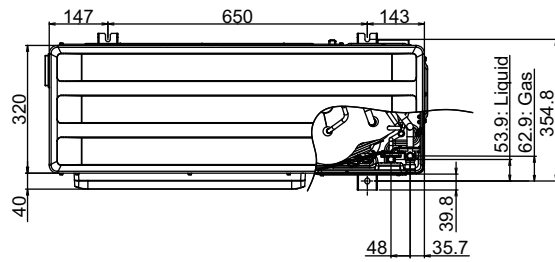
Bottom view



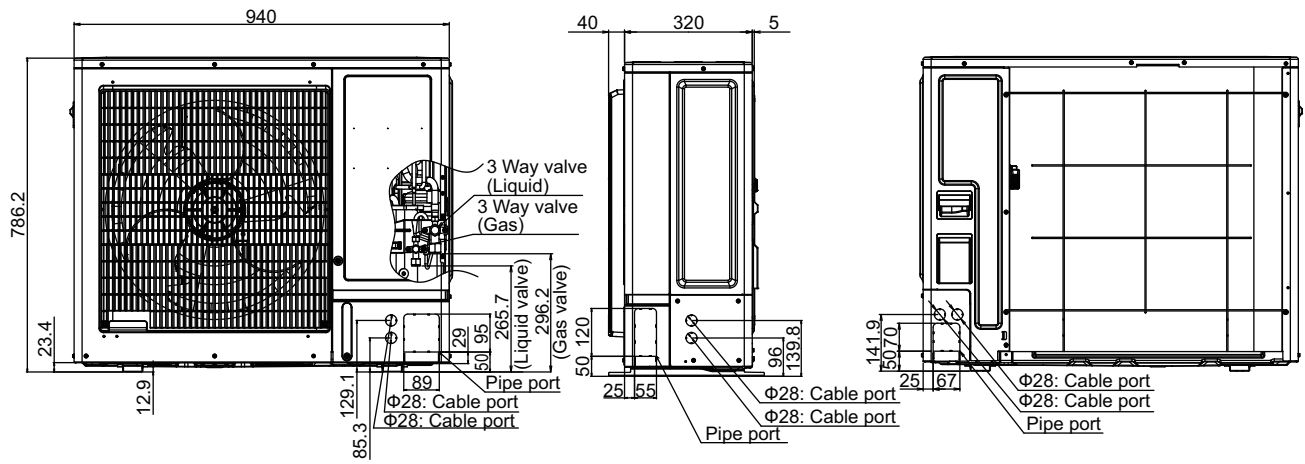
Side view (Valve part)

Model: AOYG36KBTB

Unit: mm



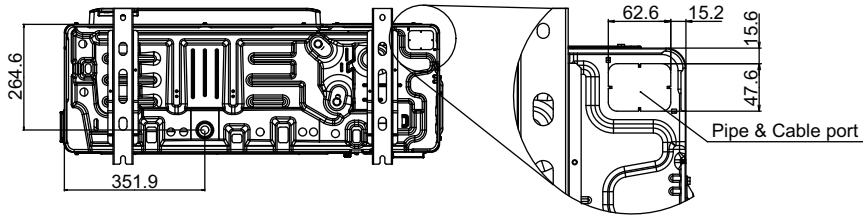
Top view



Front view

Side view

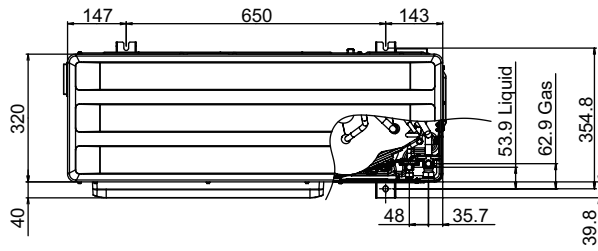
Rear view



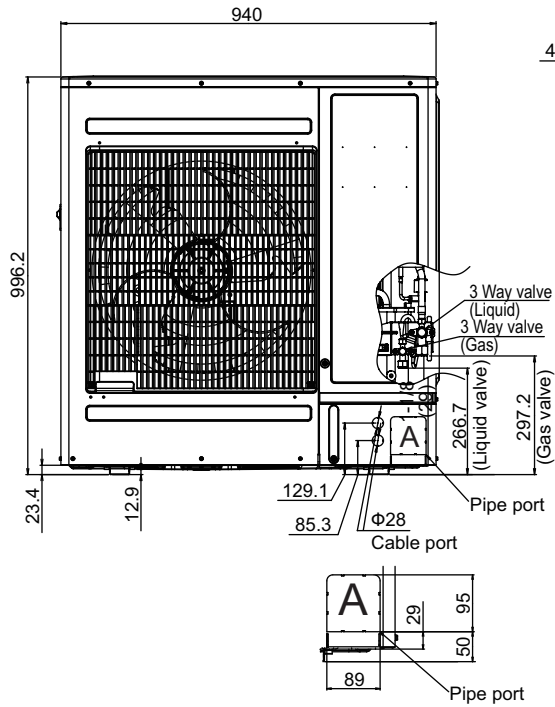
Bottom view

Model: AOYG45KBTB

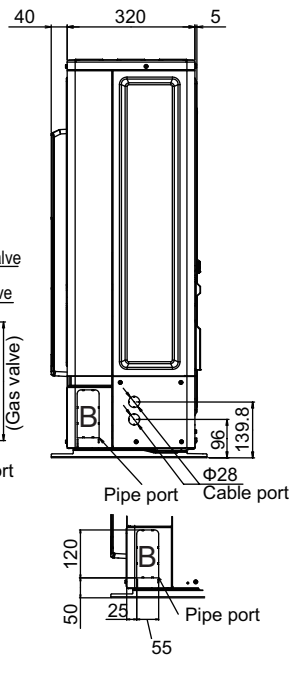
Unit: mm



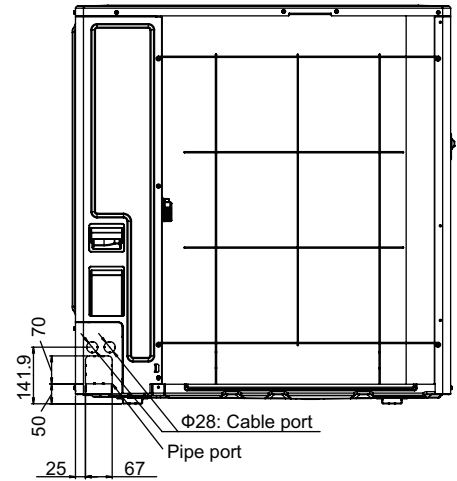
Top view



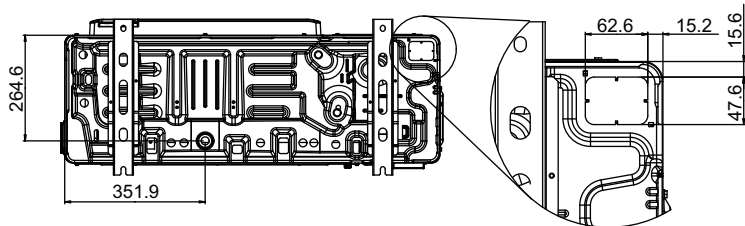
Front view



Side view



Rear view



Bottom view

Pipe & Cable port

2. TECHNICAL DATA AND PARTS LIST

CONTENTS

2. TECHNICAL DATA AND PARTS LIST

1. Precautions	02-1
2. Indoor unit parts list	02-2
2-1. Models: ABYG18KRTA and ABYG22KRTA	02-2
2-2. Models: ABYG24KRTA and ABYG30KRTA	02-4
2-3. Models: ABYG36KRTA and ABYG45KRTA	02-6
3. Outdoor unit parts list	02-8
3-1. Models: AOYG18KBTB and AOYG22KBTB.....	02-8
3-2. Model: AOYG24KBTB	02-12
3-3. Models: AOYG30KBTB and AOYG36KBTB.....	02-16
3-4. Model: AOYG45KBTB	02-20
4. Accessories	02-24
4-1. Indoor unit	02-24
4-2. Outdoor unit.....	02-25
5. Optional parts	02-26
5-1. Indoor unit	02-26
6. Refrigerant system diagrams	02-29
6-1. Model: AOYG18KBTB	02-29
6-2. Model: AOYG22KBTB	02-30
6-3. Models: AOYG24KBTB and AOYG30KBTB.....	02-31
6-4. Models: AOYG36KBTB and AOYG45KBTB.....	02-32
7. Wiring diagrams	02-33
7-1. Indoor unit	02-33
7-2. Outdoor unit.....	02-35
8. PC board diagrams	02-38
8-1. Models: ABYG18KRTA, ABYG22KRTA, ABYG24KRTA, and ABYG30KRTA	02-38
8-2. Models: ABYG36KRTA and ABYG45KRTA	02-39
8-3. Model: AOYG18KBTB	02-40
8-4. Model: AOYG22KBTB	02-41
8-5. Model: AOYG24KBTB	02-42
8-6. Models: AOYG30KBTB, AOYG36KBTB, and AOYG45KBTB	02-43

1. Precautions

When you start servicing, pay attention to the following points. For detailed precautions, refer to the installation manual of the products.

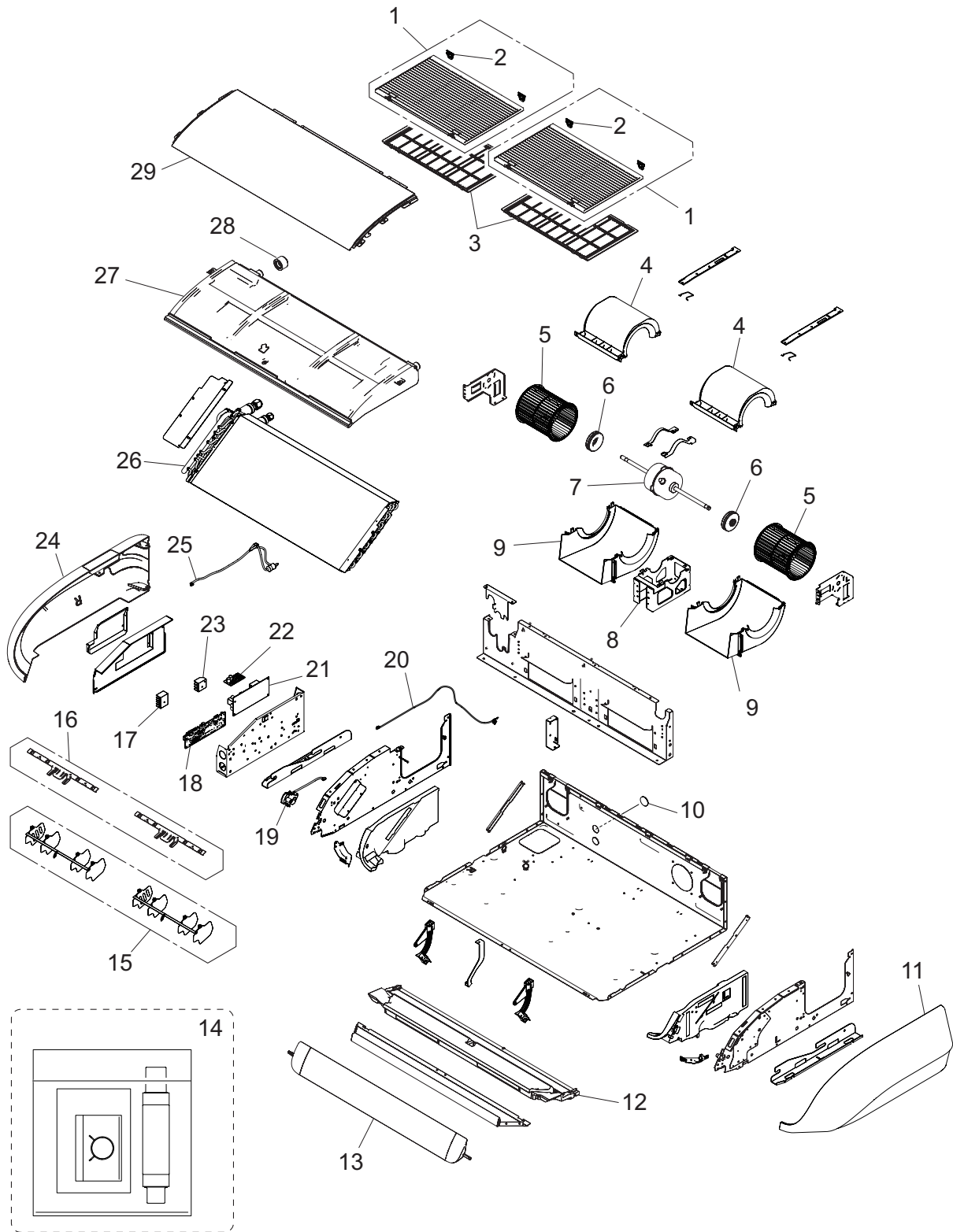
⚠ CAUTION

-
- Service personnel
 - Any person who is involved with working on or breaking into a refrigerant circuit should hold a current valid certificate from an industry-accredited assessment authority, which authorizes their competence to handle refrigerants safely in accordance with an industry recognized assessment specification.
 - Servicing shall only be performed as recommended by the equipment manufacturer. Maintenance and repair requiring the assistance of other skilled personnel shall be carried out under the supervision of the person competent in the use of flammable refrigerants.
 - Servicing shall be performed only as recommended by the manufacturer.
 - Work
 - Prior to beginning work on systems containing flammable refrigerants, safety checks are necessary to ensure that the risk of ignition is minimized. When repairing the refrigerant system, refer to the precautions written in the installation manual of the products before you start servicing.
 - Work shall be undertaken under a controlled procedure so as to minimize the risk of a flammable gas or vapor being present while the work is being performed.
 - All maintenance staff and others working in the local area shall be instructed on the nature of work being carried out.
 - Work in confined spaces shall be avoided.
 - The area around the workspace shall be sectioned off.
 - Ensure that the conditions within the area have been made safe by control of flammable material.
 - Electric shock may occur. After turning off the power, always wait 5 minutes before touching electrical components.
 - Do not touch the fins of the heat exchanger. Touching the heat exchanger fins could result in damage to the fins or personal injury such as skin rupture.
 - Do not place any other electrical products or household belongings under the product.
 - Condensation dripping from the product might get them wet, and may cause damage or malfunction to the property.
 - Checking for presence of refrigerant
 - The area shall be checked with an appropriate refrigerant detector prior to and during work, to ensure the technician is aware of potentially flammable atmospheres.
 - Ensure that the leak detection equipment being used is suitable for use with flammable refrigerants, i.e. non-sparking, adequately sealed or intrinsically safe.
-
- Service parts information and design are subject to change without notice for product improvement.
 - For the latest information of the service parts, refer to our Service Portal.
<https://fujitsu-general.force.com/portal/>
 - Precise figure of the service parts listed in this manual may differ from the actual service parts.

2. Indoor unit parts list

2-1. Models: ABYG18KRTA and ABYG22KRTA

■ Chassis



TECHNICAL DATA
AND PARTS LIST

TECHNICAL DATA
AND PARTS LIST

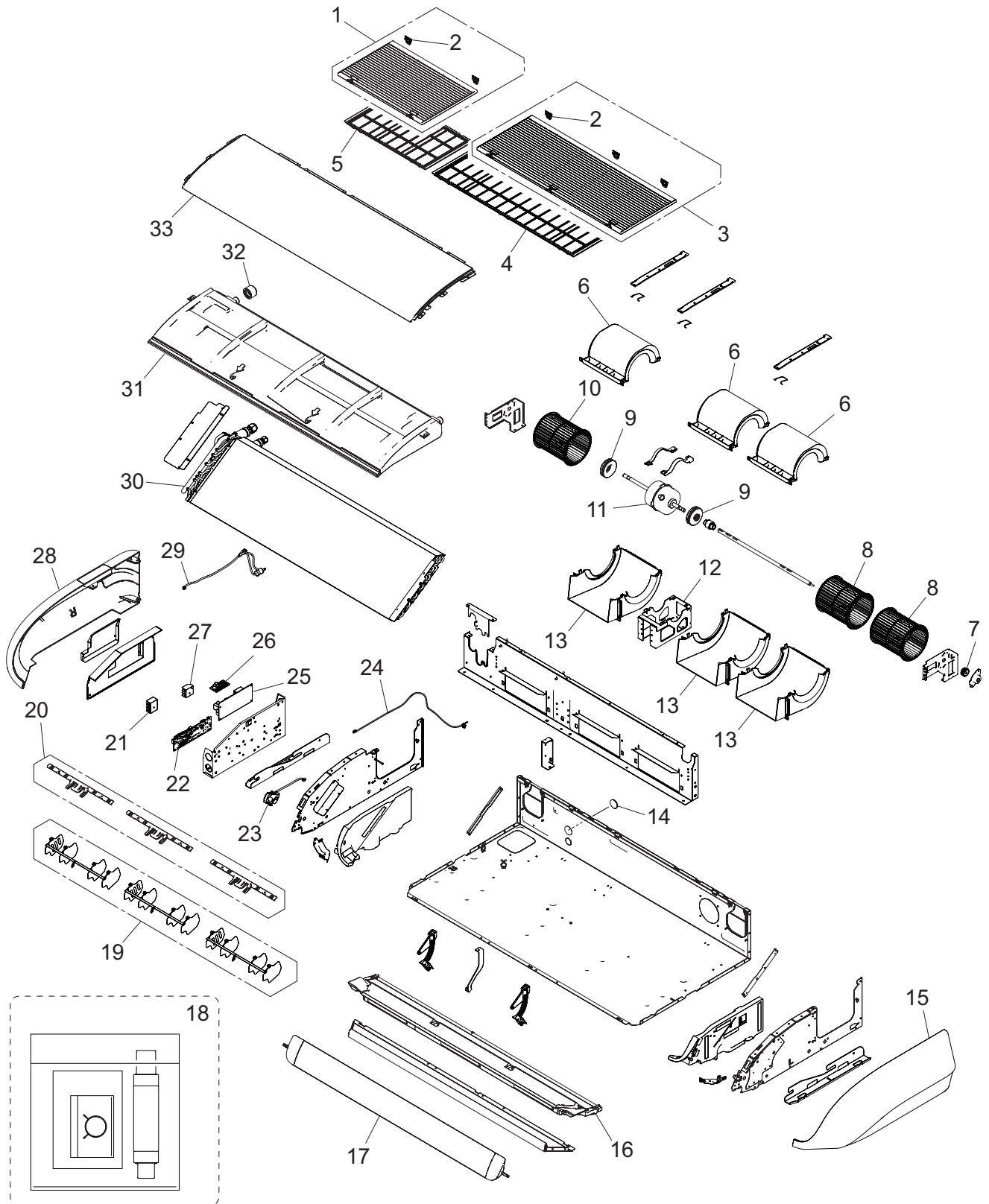
Item no.	Part no.	Part name	Service part
1	9384321015	Intake grille B sub assy	◆
2	9383344008	Grille hinge (2 pcs.)	◆
3	9383342011	Air filter B	◆
4	9384307002	Casing U assy	◆
5	9384110015	Sirocco fan assy	◆
6	9383443008	Rubber (Vibration proof)	◆
7	9603817008	Brushless DC motor	◆
8	9384236005	Motor mount assy	◆
9	9384311009	Casing B assy	◆
10	9352173011	Cap (Power)	◆
11	9383406003	Side panel L	◆
12	9384308023	Top panel cover assy (2-fan)	◆
13	9384144027	Flap assy (2-fan)	◆
14	9384324009	Hose sub assy	◆
15	9383384004	L and R louver	◆
16	9383385001	Base (Louver)	◆
17	9900896027	Terminal (5P)	◆
18	9710995972	Main PCB (for 18 model)	◆
	9710995989	Main PCB (for 22 model)	◆
19	9384312006	Box (Gear) sub assy	◆
20	9900960049	Thermistor (Room)	◆
21	9710661006	Power supply PCB	◆
22	9710019005	2-way remote PCB	◆
23	9306489045	Terminal (3P)	◆
24	9384320001	Side panel R sub assy	◆
25	9900892029	Thermistor (Pipe)	◆
26	9384287021	Evaporator total assy	◆
27	9384364029	Drain pan total assy (2-fan)	◆
28	9358746004	Drain cap	◆
29	9384241023	Front panel (2-fan) assy	◆

2-2. Models: ABYG24KRTA and ABYG30KRTA

■ Chassis

TECHNICAL DATA
AND PARTS LIST

TECHNICAL DATA
AND PARTS LIST



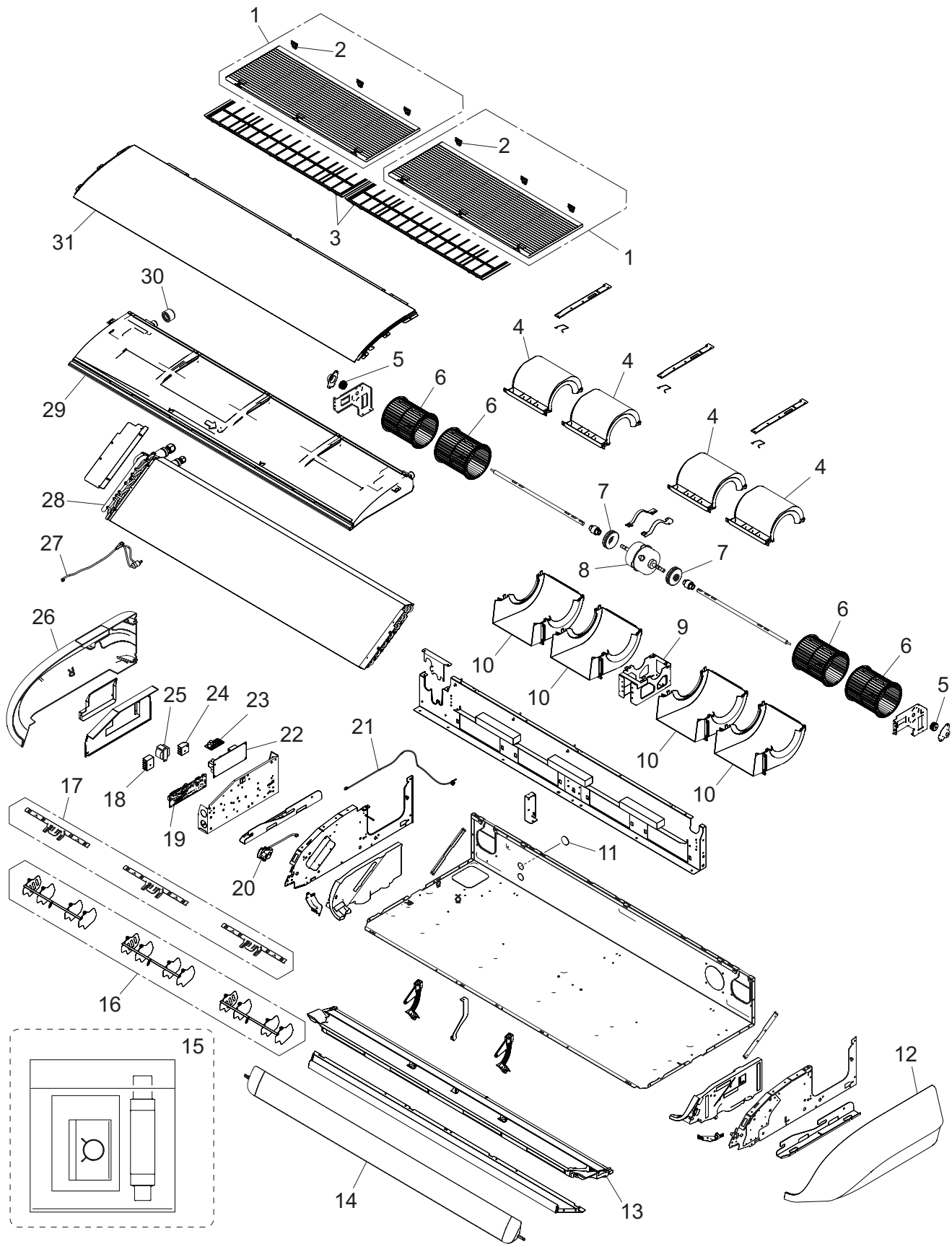
Item no.	Part no.	Part name	Service part
1	9384321015	Intake grille B sub assy	◆
2	9383344008	Grille hinge	◆
3	9384321008	Intake grille A sub assy	◆
4	9383342004	Air filter A	◆
5	9383342011	Air filter B	◆
6	9384307002	Casing U assy	◆
7	9357921006	Bearing B assy	◆
8	9384110008	Sirocco fan assy	◆
9	9383443008	Rubber (Vibration proof)	◆
10	9384110015	Sirocco fan assy	◆
11	9603816001	Brushless DC motor	◆
12	9384236005	Motor mount assy	◆
13	9384311009	Casing B assy	◆
14	9352173011	Cap (Power)	◆
15	9383406003	Side panel L	◆
16	9384308016	Top panel cover assy (3-fan)	◆
17	9384144010	Flap assy (3-fan)	◆
18	9384324009	Hose sub assy	◆
19	9383384004	L and R louver	◆
20	9383385001	Base (Louver)	◆
21	9900896027	Terminal (5P)	◆
22	9710995996	Main PCB (for 24 model)	◆
	9711524003	Main PCB (for 30 model)	◆
23	9384312006	Box (Gear) sub assy	◆
24	9900960049	Thermistor (Room)	◆
25	9710661006	Power supply PCB	◆
26	9710019005	2-way remote PCB	◆
27	9306489045	Terminal (3P)	◆
28	9384320001	Side panel R sub assy	◆
29	9900892029	Thermistor (Pipe)	◆
30	9384287014	Evaporator total assy (for 24 model)	◆
	9384287038	Evaporator total assy (for 30 model)	◆
31	9384364012	Drain pan total assy (3-fan)	◆
32	9358746004	Drain cap	◆
33	9384241016	Front panel (3-fan) assy	◆

2-3. Models: ABYG36KRTA and ABYG45KRTA

■ Chassis

TECHNICAL DATA
AND PARTS LIST

TECHNICAL DATA
AND PARTS LIST

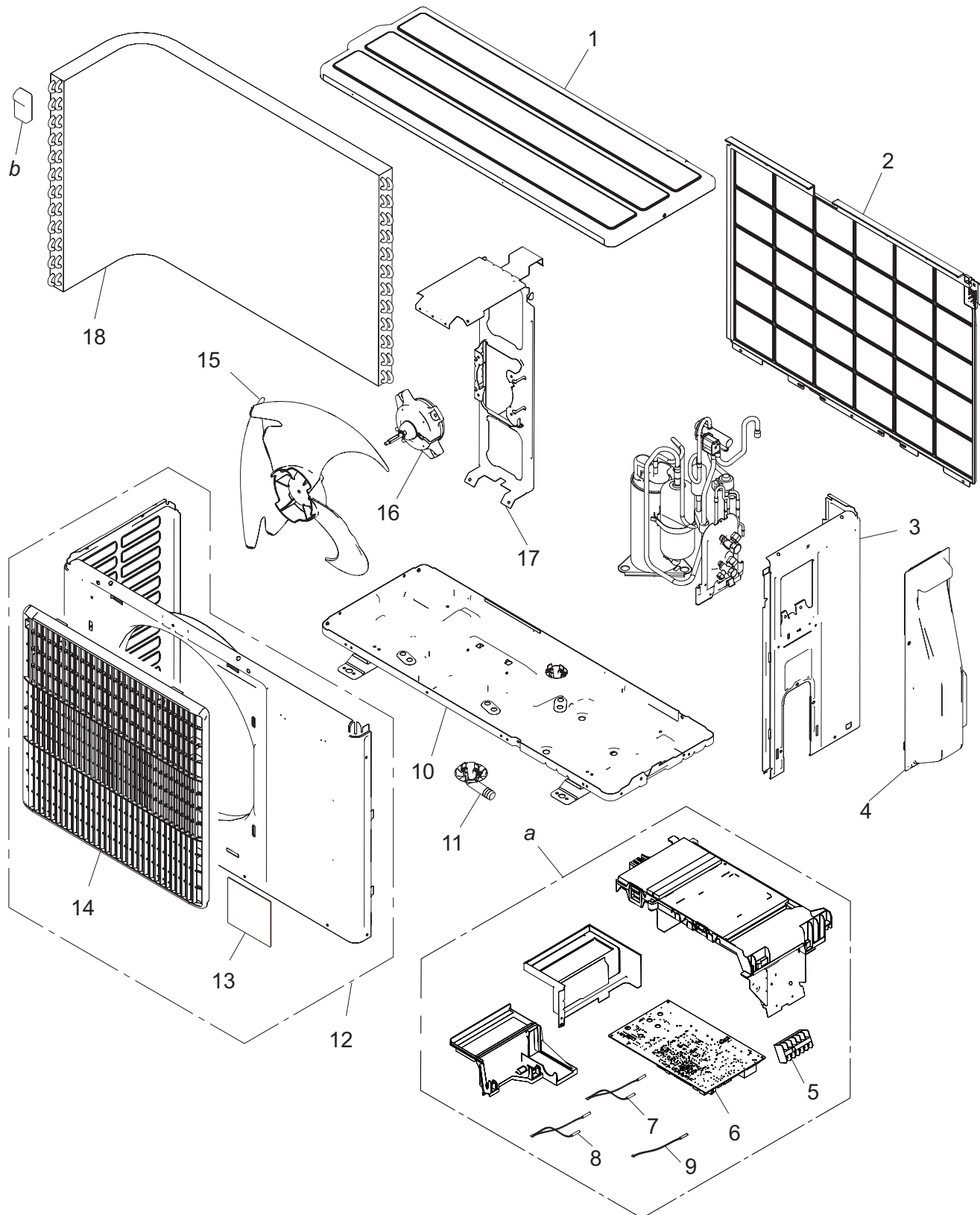


Item no.	Part no.	Part name	Service part
1	9384321008	Intake grille A sub assy	◆
2	9383344008	Grille hinge (3 pcs.)	◆
3	9383342004	Air filter A	◆
4	9384307002	Casing U assy	◆
5	9357921006	Bearing B assy	◆
6	9384110008	Sirocco fan assy	◆
7	9383443008	Rubber (Vibration proof)	◆
8	9603815004	Brushless DC motor	◆
9	9384236005	Motor mount assy	◆
10	9384311009	Casing B assy	◆
11	9352173011	Cap (Power)	◆
12	9383406003	Side panel L	◆
13	9384308009	Top panel cover assy (4-fan)	◆
14	9384144003	Flap assy (4-fan)	◆
15	9384324009	Hose sub assy	◆
16	9383384004	L and R louver	◆
17	9383385001	Base (Louver)	◆
18	9900896027	Terminal (5P)	◆
19	9711524010	Main PCB (for 36 model)	◆
	9711524027	Main PCB (for 45 model)	◆
20	9384312006	Box (Gear) sub assy	◆
21	9900960049	Thermistor (Room)	◆
22	9710661044	Power supply PCB (for 36 model)	◆
	9710661037	Power supply PCB (for 45 model)	◆
23	9710019005	2-way remote PCB	◆
24	9306489045	Terminal (3P)	◆
25	9707457056	Reactor assy	◆
26	9384320001	Side panel R sub assy	◆
27	9900892029	Thermistor (Pipe)	◆
28	9384287007	Evaporator total assy	◆
29	9384364005	Drain pan total assy (4-fan)	◆
30	9358746004	Drain cap	◆
31	9384241009	Front panel (4-fan) assy	◆

3. Outdoor unit parts list

3-1. Models: AOYG18KBTB and AOYG22KBTB

■ Exterior parts and Chassis



TECHNICAL DATA
AND PARTS LIST

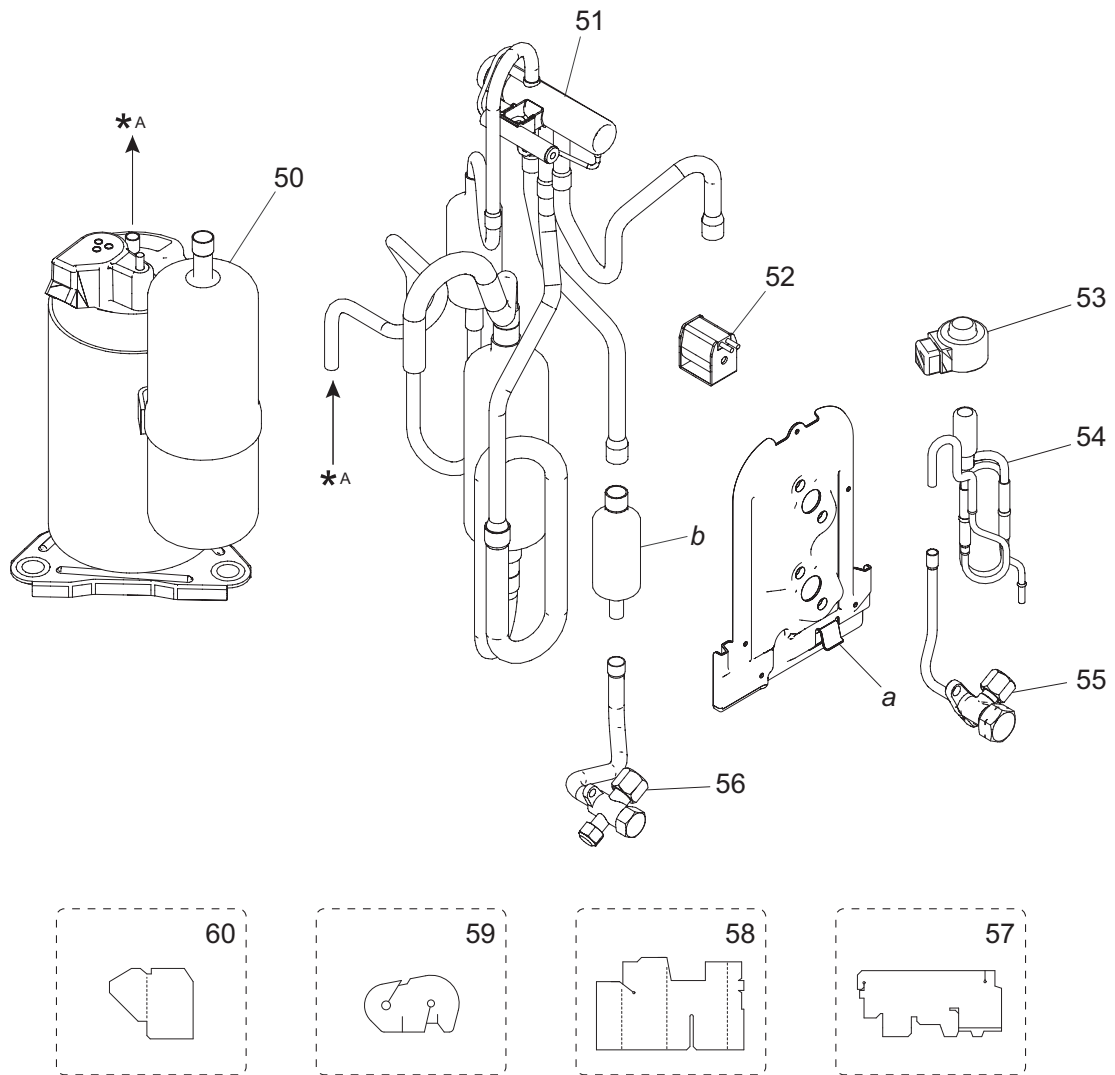
TECHNICAL DATA
AND PARTS LIST

Item no.	Part no.	Part name	Service part
1	9322556028	Top panel assy	◆
2	9322811011	Protective net	◆
3	9322552020	Cabinet right assy	◆
4	9322570000	Switch cover assy	◆
5	9900435028	Terminal	◆
6	9709683385	Main PCB (Service) (for 18 model)	◆
	9709683392	Main PCB (Service) (for 22 model)	◆
7	9900727062	Thermistor assy	◆
8	9900565060	Thermistor (Outdoor temp.)	◆
9	9900984014	Heat exchanger thermistor	◆
10	9322314024	Base assy	◆
11	9322144003	Drain pipe	◆
12	9322555021	Front panel assy	◆
13	9319151007	Emblem	◆
14	9322135001	Blow grille	◆
15	9322136008	Propeller fan	◆
16	9603657017	Brushless motor	◆
17	9322553010	Motor bracket assy	◆
18	9322275004	Condenser total assy	◆
<i>a</i>	—	Inverter assy	—
<i>b</i>	—	Hair pin cushion	—

Compressor

TECHNICAL DATA
AND PARTS LIST

TECHNICAL DATA
AND PARTS LIST



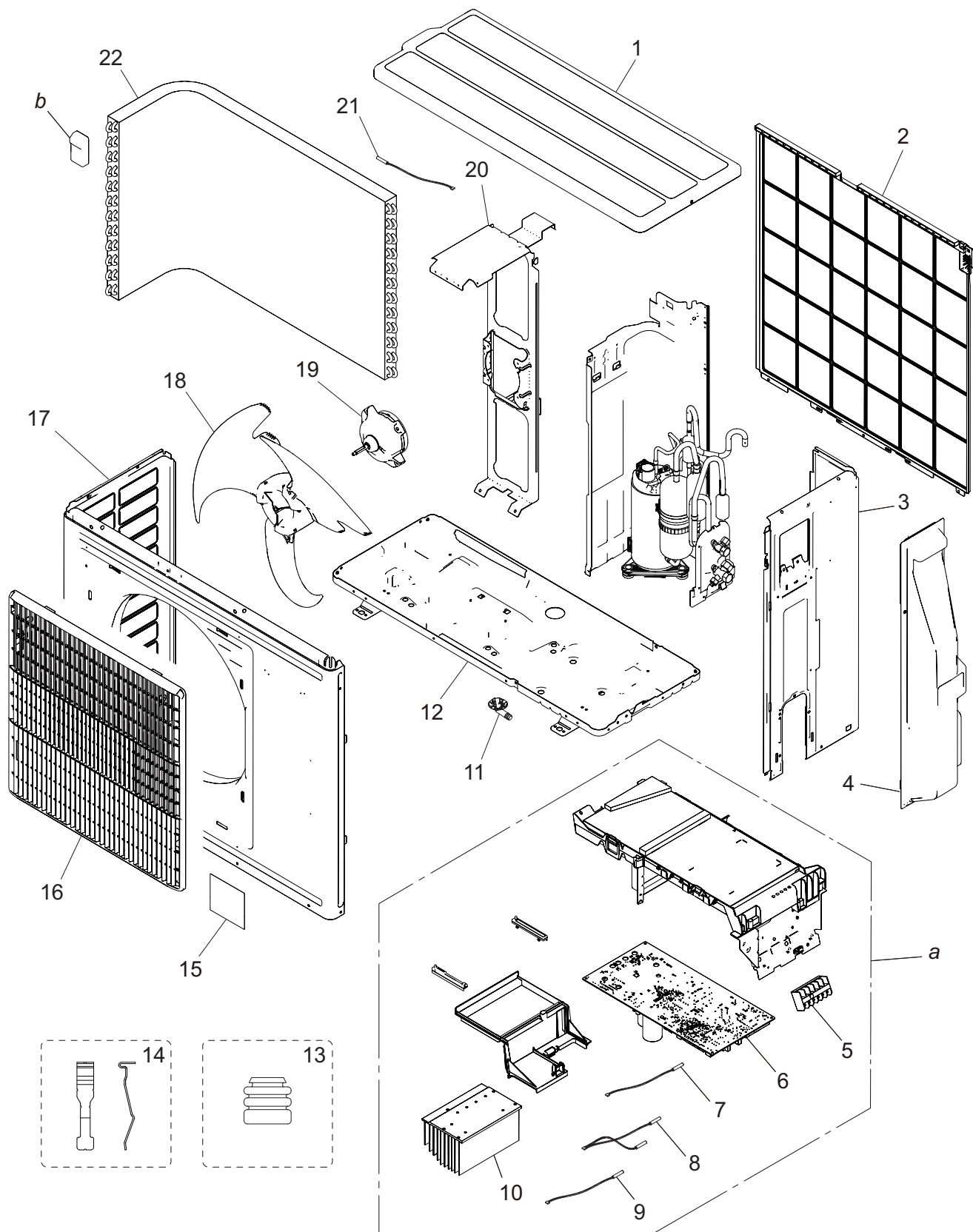
Item no.	Part no.	Part name	Service part
50	9322433008	Compressor assy	◆
51	9322783004	4-way valve assy	◆
52	9970195006	Solenoid	◆
53	9970173028	Expansion valve coil	◆
54	9322463029	Pulse motor valve assy	◆
55	9322474001	2-way valve assy	◆
56	9387831016	3-way valve assy	◆
57	9322535009	S-insulator B	◆
58	9322536006	S-insulator F	◆
59	9322537003	S-insulator H	◆
60	9323045002	S-insulator V	◆
a	—	Valve bracket	—
b	—	Muffler	—

3-2. Model: AOYG24KBTB

■ Exterior parts and Chassis

TECHNICAL DATA
AND PARTS LIST

TECHNICAL DATA
AND PARTS LIST

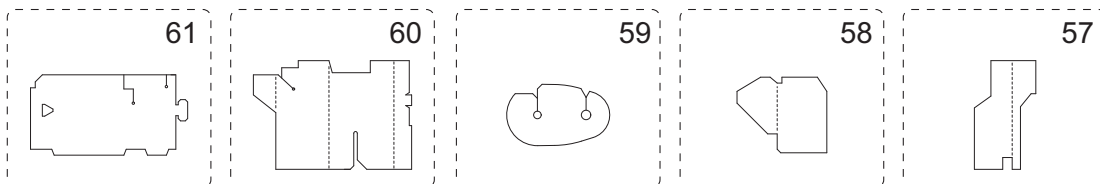
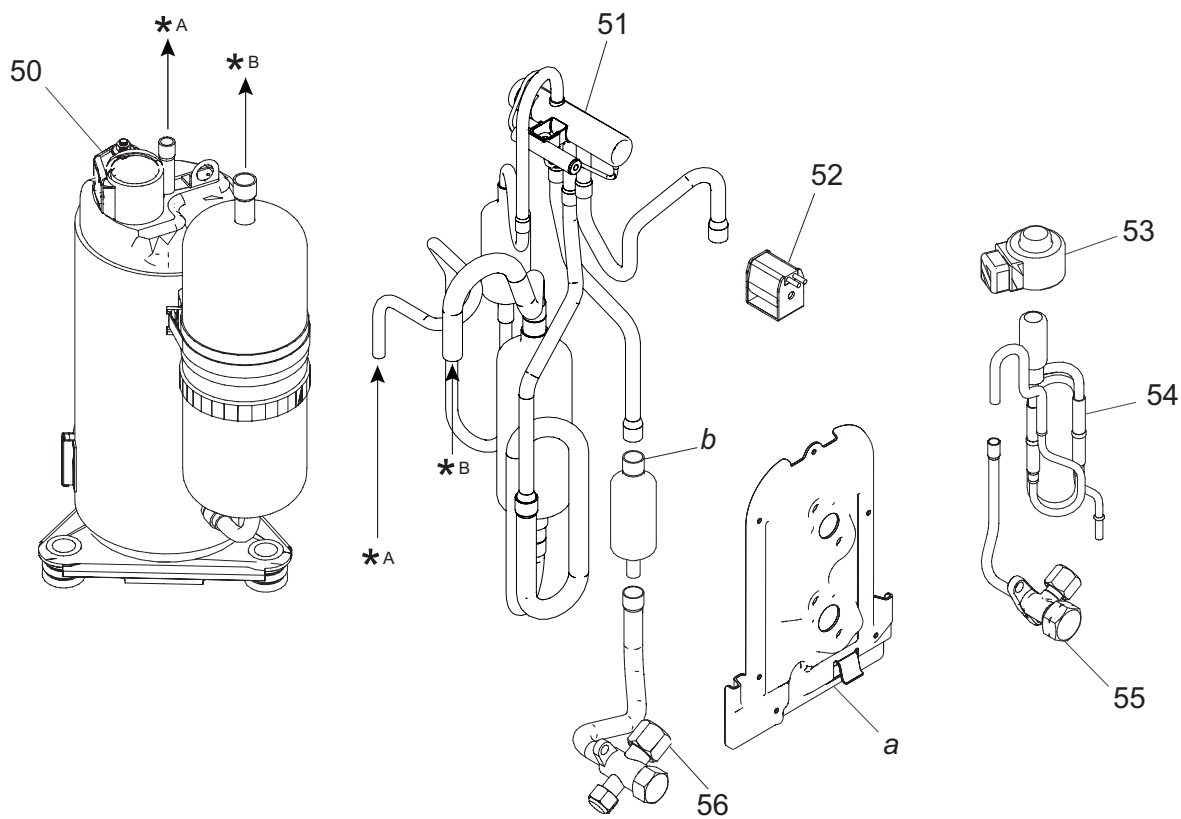


Item no.	Part no.	Part name	Service part
1	9322556073	Top panel assy	◆
2	9322811042	Protective net	◆
3	9322552150	Cabinet right assy	◆
4	9322570031	Switch cover assy	◆
5	9900435028	Terminal	◆
6	9709683408	Main PCB	◆
7	9900565060	Thermistor assy (Outdoor temp.)	◆
8	9900727116	Thermistor assy	◆
9	9900985011	Compressor thermistor	◆
10	9322421043	Heat sink	◆
11	9322144003	Drain pipe	◆
12	9322322029	Base assy	◆
13	9322386007	Cushion rubber	◆
14	9810028006	Thermistor stopper	◆
15	9319151007	Emblem	◆
16	9322149008	Blow grille	◆
17	9322555038	Front panel assy	◆
18	9322150004	Propeller fan	◆
19	9603601003	Brushless motor	◆
20	9322553034	Motor bracket assy	◆
21	9900984014	Thermistor (Heat exchanger)	◆
22	9317089630	Condenser total assy	◆
<i>a</i>	—	Inverter assy	—
<i>b</i>	—	Hair pin cushion	—

Compressor

TECHNICAL DATA
AND PARTS LIST

TECHNICAL DATA
AND PARTS LIST



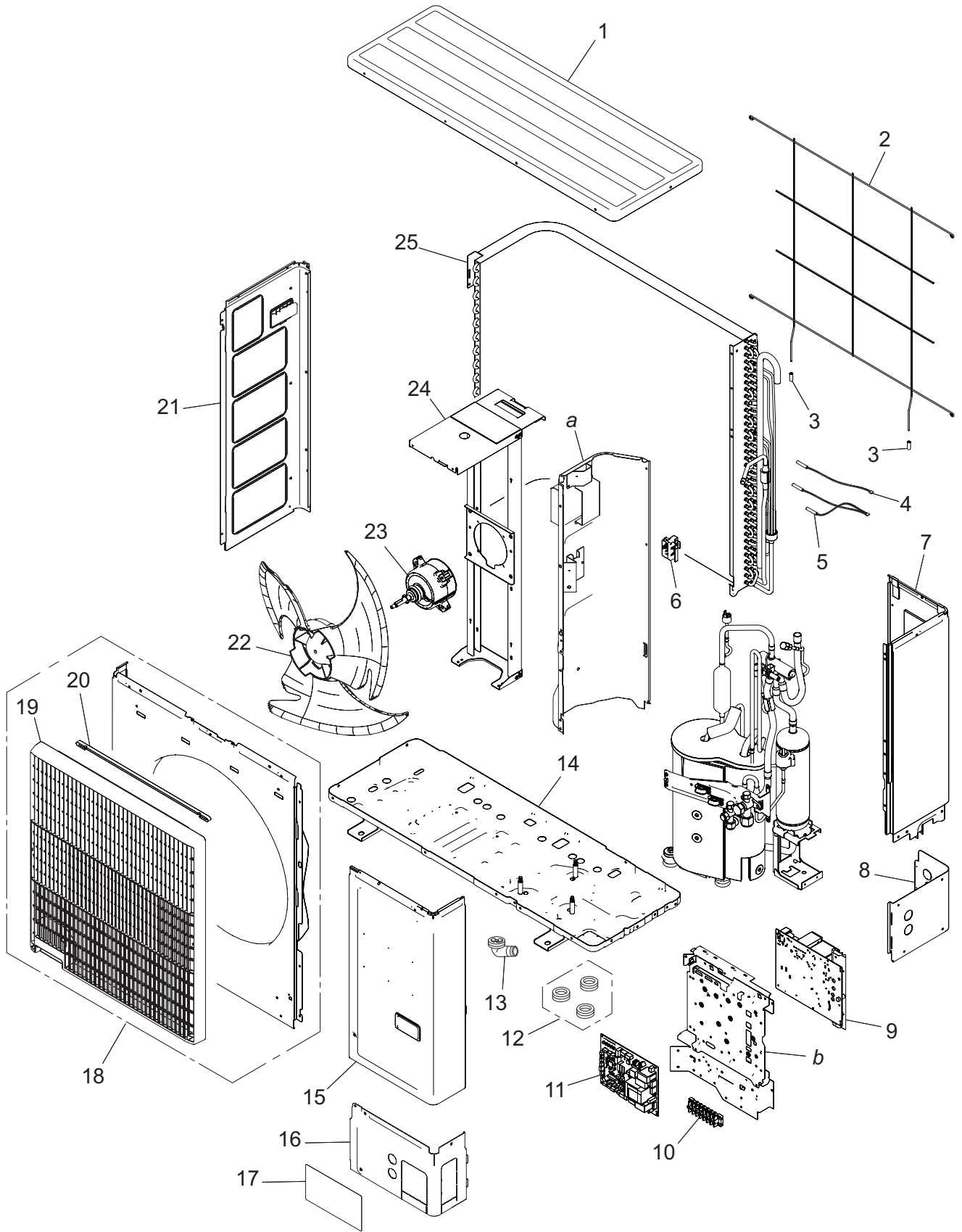
Item no.	Part no.	Part name	Service part
50	9810521002	Compressor assy	◆
51	9383129025	4-way valve assy	◆
52	9970206009	Solenoid	◆
53	9970173028	Expansion valve coil	◆
54	9322463029	Pulse motor valve assy	◆
55	9322474001	2-way valve assy	◆
56	9387831016	3-way valve assy	◆
57	9322824004	S-insulator K	◆
58	9323045002	S-insulator V	◆
59	9322501004	S-insulator H	◆
60	9322529008	S-insulator F	◆
61	9322503008	S-insulator B	◆
<i>a</i>	—	Valve bracket	—
<i>b</i>	—	Muffler	—

3-3. Models: AOYG30KBTB and AOYG36KBTB

■ Exterior parts and chassis

TECHNICAL DATA
AND PARTS LIST

TECHNICAL DATA
AND PARTS LIST

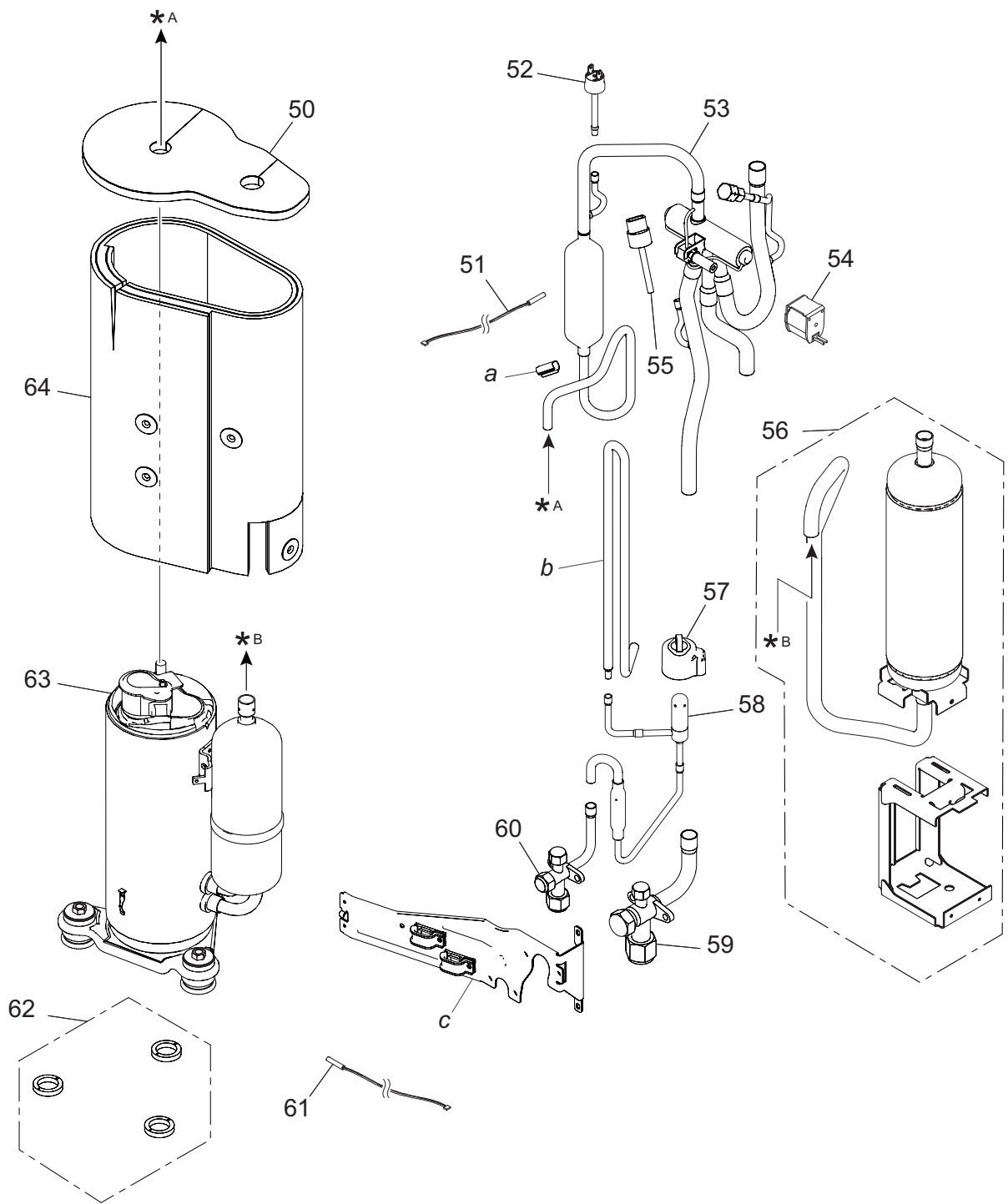


Item no.	Part no.	Part name	Service part
1	9383880001	Top panel assy	◆
2	9383779008	Protective net	◆
3	9375361013	Net rubber	◆
4	9900984038	Thermistor (Heat exchanger)	◆
5	9900727154	Thermistor assy	◆
6	9383607004	Thermo holder	◆
7	9383874000	Right panel sub assy	◆
8	9383879005	Rear pipe cover	◆
9	9709684108	Inverter PCB (Service)	◆
10	9900203061	Terminal	◆
11	9711431271	Main PCB (Service) (for 30 model)	◆
	9711431240	Main PCB (Service) (for 36 model)	◆
12	313166024302	Drain cap	◆
13	9303029015	Drain assy	◆
14	9350255009	Base assy (Service)	◆
15	9383876004	Service panel sub assy	◆
16	9383878008	Front pipe cover	◆
17	9351355005	Emblem rear	◆
18	9383863004	Front panel assy	◆
19	9383604003	Blow grille	◆
20	9383689000	Blow grille insulation	◆
21	9383882005	Left panel sub assy	◆
22	9383336003	Propeller fan	◆
23	9603732011	Brushless motor	◆
24	9383862007	Motor bracket assy	◆
25	9374420612	Condenser sub assy	◆
<i>a</i>	—	Separate wall assy	—
<i>b</i>	—	Control box unit	—

Compressor

TECHNICAL DATA
AND PARTS LIST

TECHNICAL DATA
AND PARTS LIST



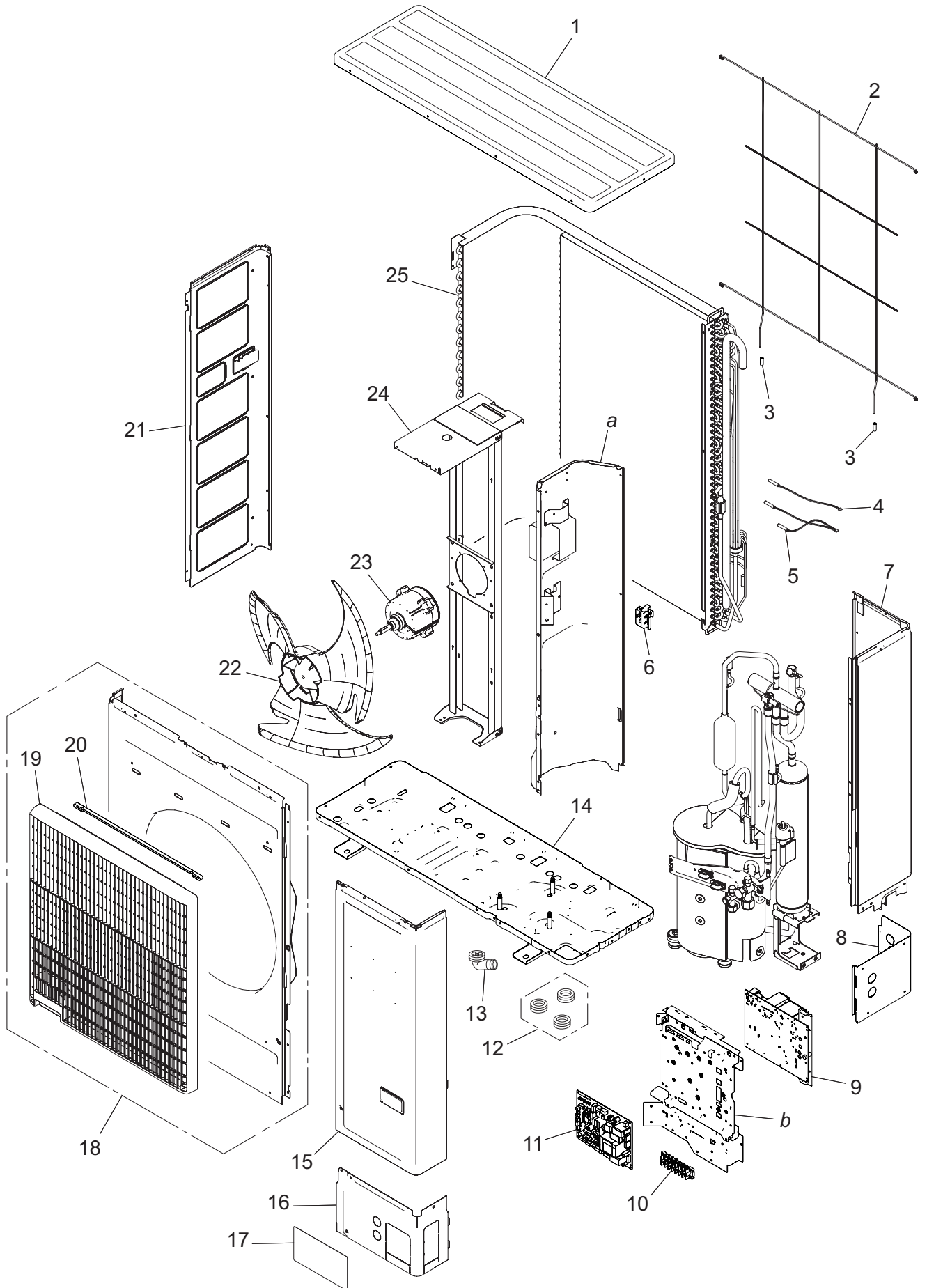
Item no.	Part no.	Part name	Service part
50	9380516064	S-ABS (top)	◆
51	9900565091	Thermistor (Outdoor temp.)	◆
52	9900186029	Pressure switch	◆
53	9374425631	4-way valve assy	◆
54	9970194016	Solenoid	◆
55	9970158018	Sensor	◆
56	9384848017	Accumulator assy (service)	◆
57	9970209000	Expansion valve coil	◆
58	9370947328	Expansion valve assy	◆
59	9379079013	3-way valve assy	◆
60	9377958037	3-way valve assy	◆
61	9900985035	Thermistor (Compressor)	◆
62	9379179072	Rubber washer E	◆
63	9383821004	Compressor assy	◆
64	9379647168	S-ABS (body)	◆
a	—	Thermostat holder	—
b	—	Joint pipe D	—
c	—	Wiring fixation unit	—

3-4. Model: AOYG45KBTB

■ Exterior parts and chassis

TECHNICAL DATA
AND PARTS LIST

TECHNICAL DATA
AND PARTS LIST

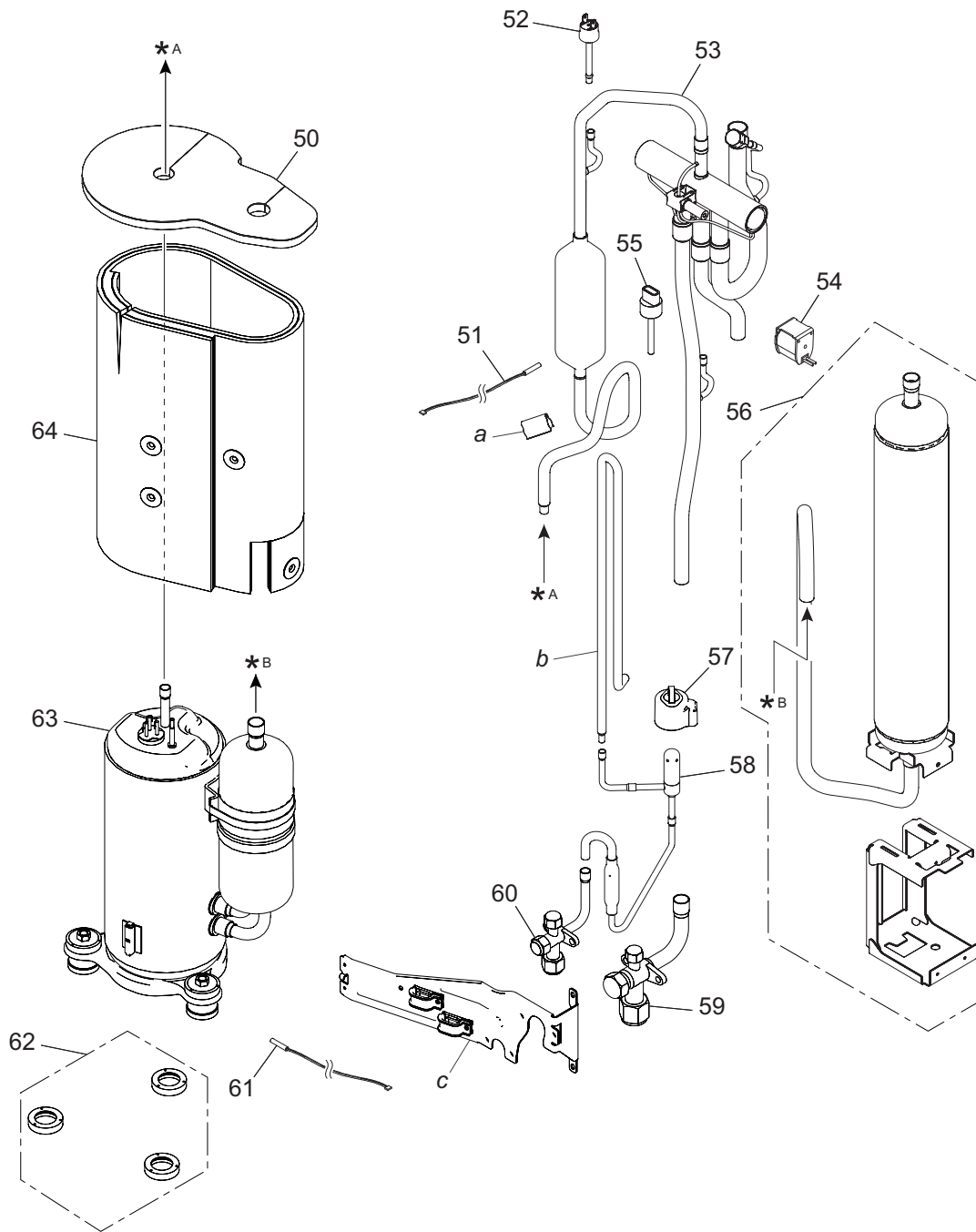


Item no.	Part no.	Part name	Service part
1	9383880001	Top panel assy	◆
2	9381013005	Protective net	◆
3	9375361013	Net rubber	◆
4	9900984038	Thermistor (Heat exchanger)	◆
5	9900727154	Thermistor assy	◆
6	9383607004	Thermo holder	◆
7	9383874017	Right panel sub assy	◆
8	9383879005	Rear pipe cover	◆
9	9709684115	Inverter PCB (Service)	◆
10	9900203061	Terminal	◆
11	9711431257	Main PCB (Service)	◆
12	313166024302	Drain cap	◆
13	9303029015	Drain assy	◆
14	9350255009	Base assy (Service)	◆
15	9383876011	Service panel sub assy	◆
16	9383878008	Front pipe cover	◆
17	9351355005	Emblem rear	◆
18	9383863011	Front panel assy	◆
19	9383604003	Blow grille	◆
20	9383689000	Blow grille insulation	◆
21	9383882012	Left panel sub assy	◆
22	9383336003	Propeller fan	◆
23	9603733018	Brushless motor	◆
24	9383862014	Motor bracket assy	◆
25	9374420605	Condenser sub assy	◆
<i>a</i>	—	Separate wall assy	—
<i>b</i>	—	Control box unit	—

Compressor

TECHNICAL DATA
AND PARTS LIST

TECHNICAL DATA
AND PARTS LIST


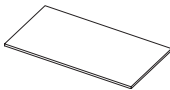
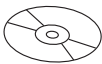
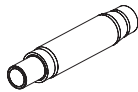


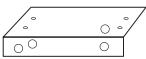







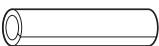

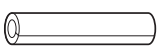


Item no.	Part no.	Part name	Service part
50	9380516019	S-ABS (top)	◆
51	9900565091	Thermistor (Outdoor temp.)	◆
52	9900186029	Pressure switch	◆
53	9374425624	4-way valve assy	◆
54	9970194016	Solenoid	◆
55	9970158018	Sensor	◆
56	9384848000	Accumulator assy (Service)	◆
57	9970209000	Expansion valve coil	◆
58	9370947311	Expansion valve assy	◆
59	9379079013	3-way valve assy	◆
60	9377958037	3-way valve assy	◆
61	9900985028	Thermistor (Compressor)	◆
62	9379179089	Rubber washer F	◆
63	9810620002	Compressor	◆
64	9379647168	S-ABS (body)	◆
<i>a</i>	—	Thermistor spring	—
<i>b</i>	—	Joint pipe D	—
<i>c</i>	—	Accumulator holder A	—
<i>d</i>	—	Wiring fixation unit	—


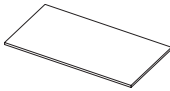

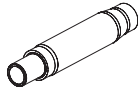


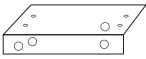







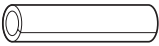
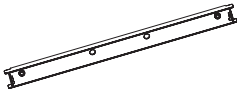
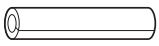

4. Accessories

4-1. Indoor unit

■ Models: ABYG18KRTA and ABYG22KRTA


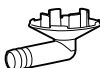
Part name	Exterior	Q'ty	Part name	Exterior	Q'ty
Operating manual		1	Insulation		1
Operating manual (CD-ROM)		1	Drain hose		1
Installation manual		1	Hose band		1
Template		1	Cable tie (large)		4
M10 nut A (with flange)		4	Cable tie (small)		1
M10 nut B (with spring lock washer)		4	Remote controller cable hole cap		1
Washer		8	Tapping screw (White)		6
Coupler heat insulation (large)		1	Tapping screw		3
Coupler heat insulation (small)		1			

■ Models: ABYG24KRTA, ABYG30KRTA, ABYG36KRTA and ABYG45KRTA



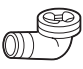

Part name	Exterior	Q'ty	Part name	Exterior	Q'ty
Operating manual		1	Insulation		1
Operating manual (CD-ROM)		1	Drain hose		1
Installation manual		1	Hose band		1
Template		1	Cable tie (large)		4
M10 nut A (with flange)		4	Cable tie (small)		1
M10 nut B (with spring lock washer)		4	Remote controller cable hole cap		1
Washer		8	Tapping screw (White)		6
Coupler heat insulation (large)		1	Casing guard		1
Coupler heat insulation (small)		1	Tapping screw		3

4-2. Outdoor unit

■ Models: AOYG18KBTB, AOYG22KBTB, and AOYG24KBTB

Part name	Exterior	Q'ty	Part name	Exterior	Q'ty
Installation manual		1	Drain pipe		1

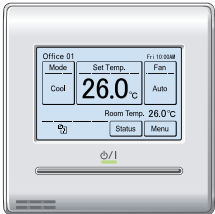
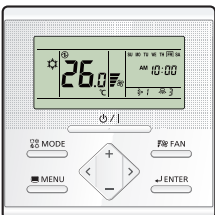



■ Models: AOYG30KBTB, AOYG36KBTB, and AOYG45KBTB

Part name	Exterior	Q'ty	Part name	Exterior	Q'ty
Installation manual		1	Drain cap		3
Drain pipe		1	One-touch bush		2

5. Optional parts

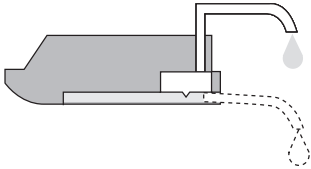
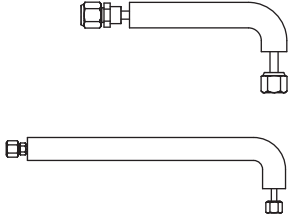
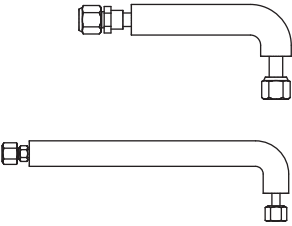
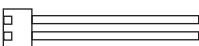
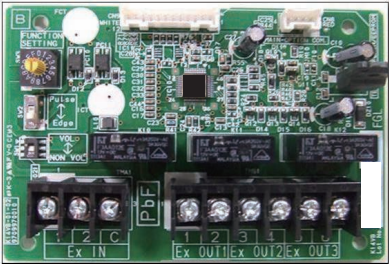
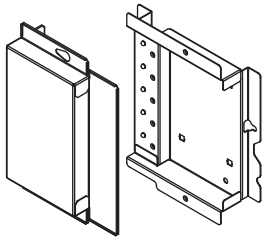


5-1. Indoor unit



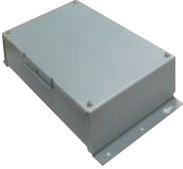

■ Controllers

Exterior	Part name	Model name	Summary
	Wired remote controller	UTU-RNRYZ*	Easy finger touch operation with LCD panel. Backlit LCD enables easy operation in a dark room. Wire type: Non-polar 2-wire
	Wired remote controller	UTU-RLRY	High visibility and easy operation. Room temperature can be accurately controlled using the built-in thermo sensor. Wire type: Non-polar 2-wire
	Simple remote controller	UTU-RSRY	Compact remote controller concentrates on the basic functions such as Start/Stop, fan control, temperature setting, and operation mode. Wire type: Non-polar 2-wire
	Simple remote controller	UTU-RHRY	Compact remote controller concentrates on the basic functions such as Start/Stop, fan control, and temperature setting. Wire type: Non-polar 2-wire
	IR receiver kit with wireless remote controller	UTU-LBTYH	Unit control is performed by wireless remote controller.

NOTE: Available functions may differ by the remote controller. For details, refer to the operation manual.

Others

Exterior	Part name	Model name	Summary
	Drain pump unit	UTR-DPB24T	Optional drain lift-up mechanism allows more flexible installation.
	Auxiliary pipe assembly	UTP-FX24A	For piping of upward direction only. <ul style="list-style-type: none"> For liquid: 6.35 mm (1/4 in) For gas: 12.70 mm (1/2 in)
	Auxiliary pipe assembly	UTP-FX35A	For piping of upward direction only. <ul style="list-style-type: none"> For liquid: 9.52 mm (3/8 in) For gas: 15.88 mm (5/8 in)
	External connect kit	UTY-XWZXZG	Use to connect with various peripheral devices and air conditioner PCB. For control output port.
	External input and output PCB	UTY-XCSX	Use to connect with external devices and air conditioner PCB.
	External input and output PCB box	UTZ-GXEA	For installing the External input and output PCB.
	Wireless LAN adapter	UTY-TFSXZ1	Remotely manage an air conditioning system using mobile devices such as smartphones and tablets. For connection indoor unit with UART interface.
	Modbus converter	UTY-VMSX	For connection between indoor unit with UART interface and a Modbus open network.

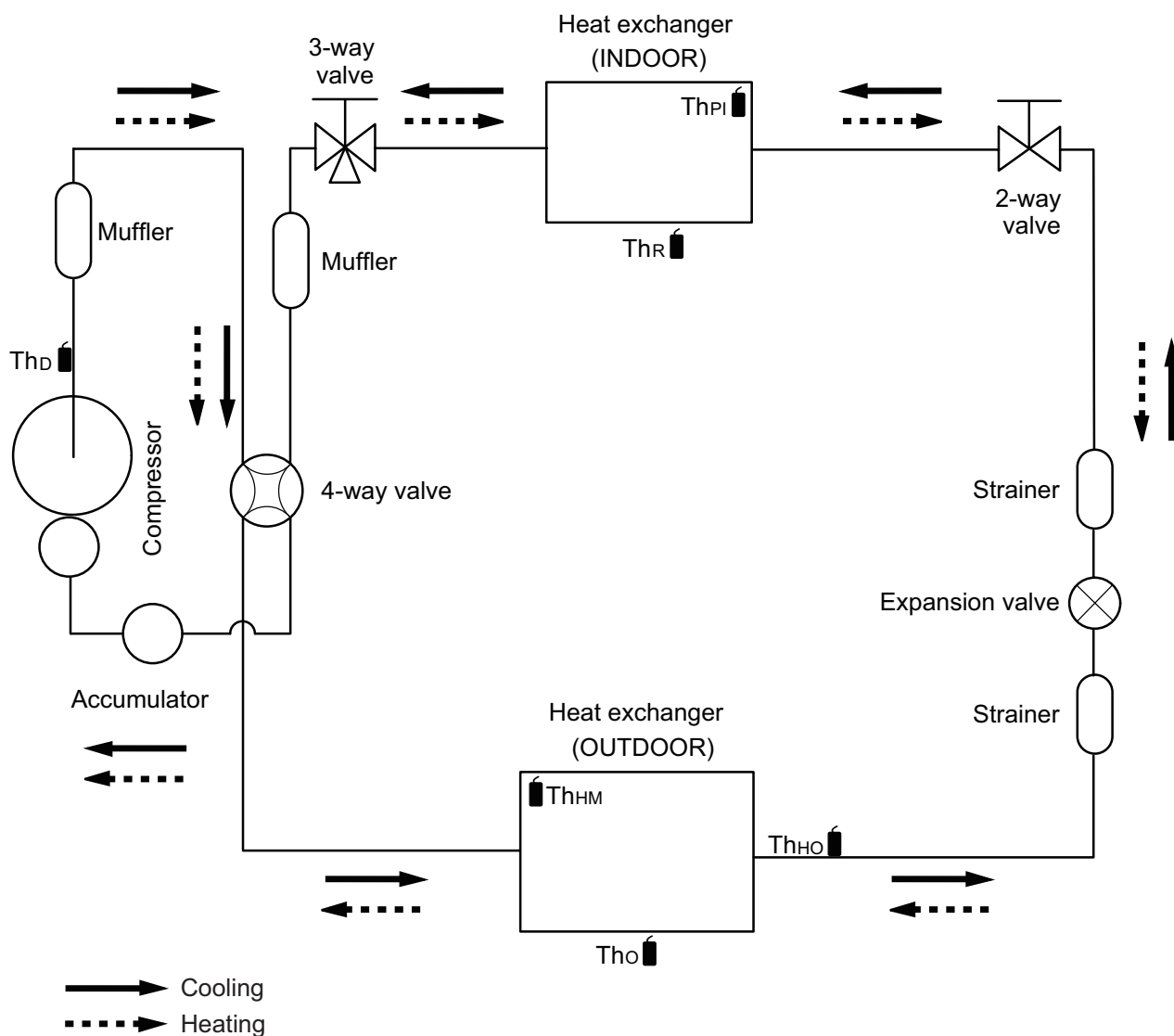
Exterior	Part name	Model name	Summary
	KNX converter	UTY-VKSX	For connection between indoor unit with UART interface and a KNX open network.
	Split system converter	UTY-VTGX	This converter is required when connecting single split system to VRF network system.
	Split system converter (AC power supply)	UTY-VTGXV	This converter is required when connecting single split system to VRF network system.
	External switch controller	UTY-TERX	Air conditioner switching can be controlled by connecting other external sensor switches.

NOTE: Combined use of following optional parts and Wireless LAN adapter (UTY-TFSXZ1) is not allowed.

- External input and output PCB (UTY-XCSX)
- Modbus converter
- KNX converter

6. Refrigerant system diagrams

6-1. Model: AOYG18KBTB



Th_D : Thermistor (Discharge temperature)

Th_o : Thermistor (Outdoor temperature)

Th_{HO} : Thermistor (Heat exchanger out temperature)

Th_{HM} : Thermistor (Heat exchanger middle temperature)

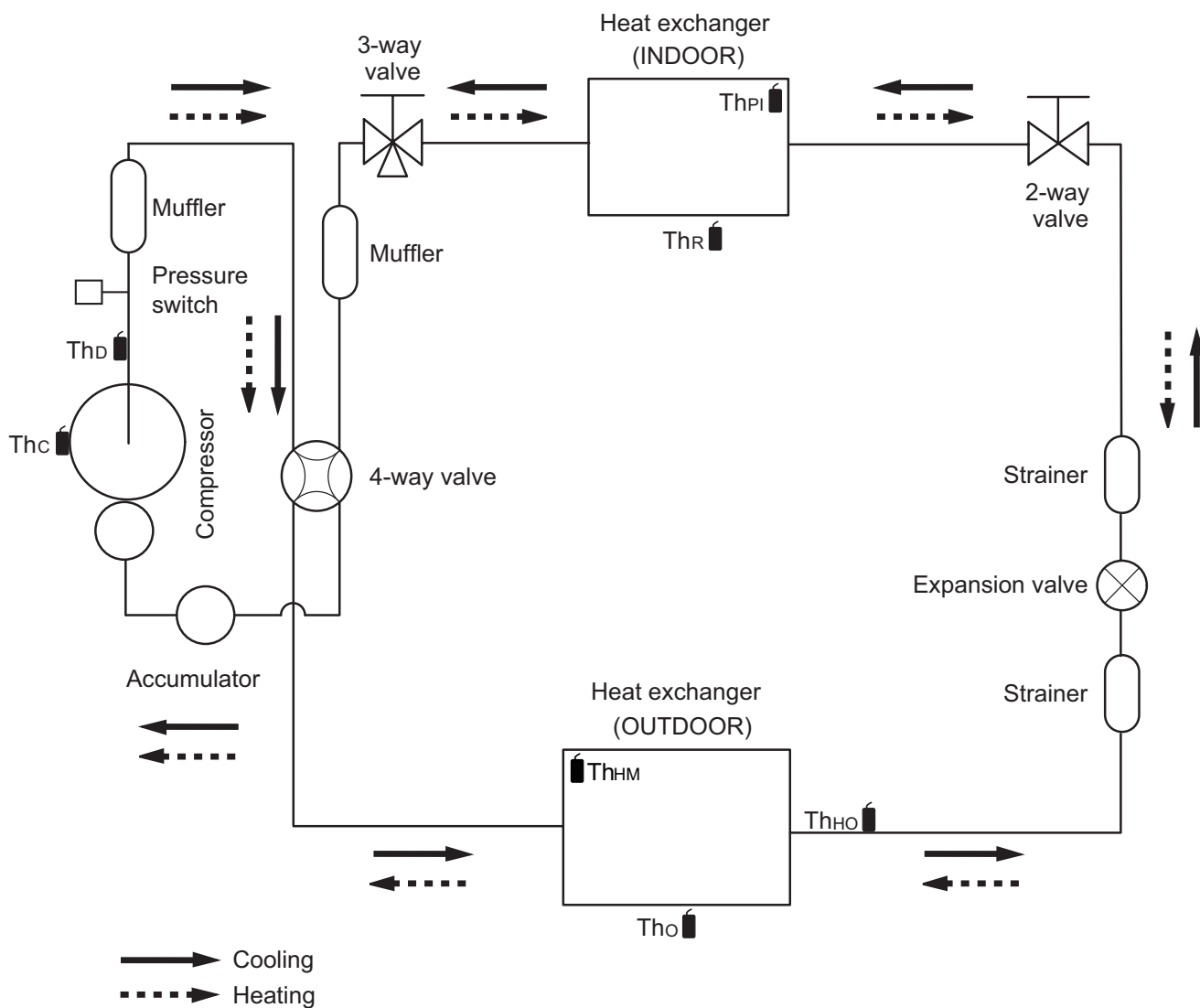
Th_R : Thermistor (Room temperature)

Th_{PI} : Thermistor (Pipe temperature)

6-2. Model: AOYG22KBTB

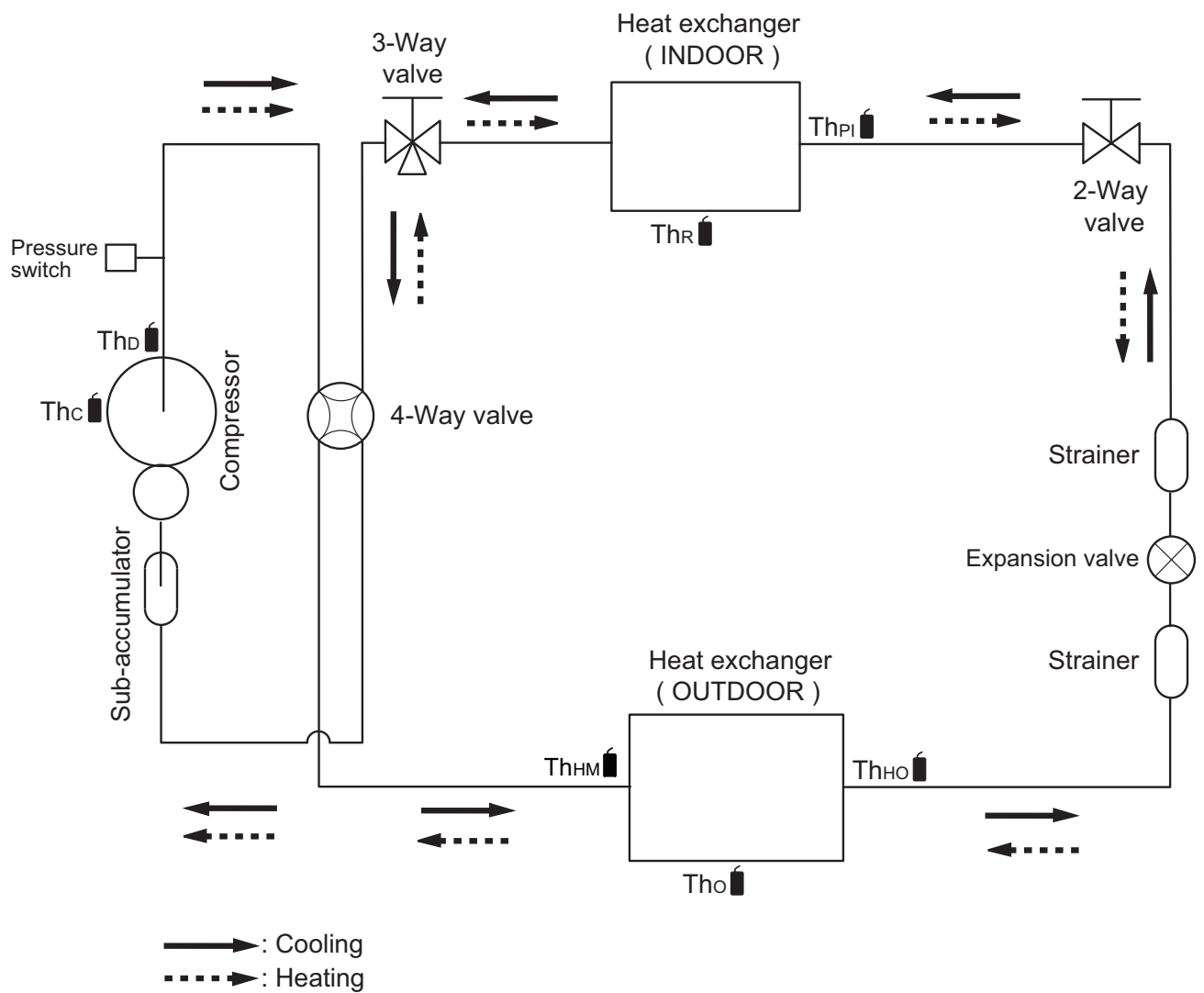
TECHNICAL DATA
AND PARTS LIST

TECHNICAL DATA
AND PARTS LIST



- Thc : Thermistor (Compressor temperature)
- Thd : Thermistor (Discharge temperature)
- Tho : Thermistor (Outdoor temperature)
- Thho : Thermistor (Heat exchanger out temperature)
- Thhm : Thermistor (Heat exchanger middle temperature)
- Thr : Thermistor (Room temperature)
- Thpi : Thermistor (Pipe temperature)

6-3. Models: AOYG24KBTB and AOYG30KBTB



Th_c : Thermistor (Compressor temperature)

Th_d : Thermistor (Discharge temperature)

Th_{HM} : Thermistor (Heat Exchanger Med temperature)

Th_o : Thermistor (Outdoor temperature)

Th_{HO} : Thermistor (Heat Exchanger Out temperature)

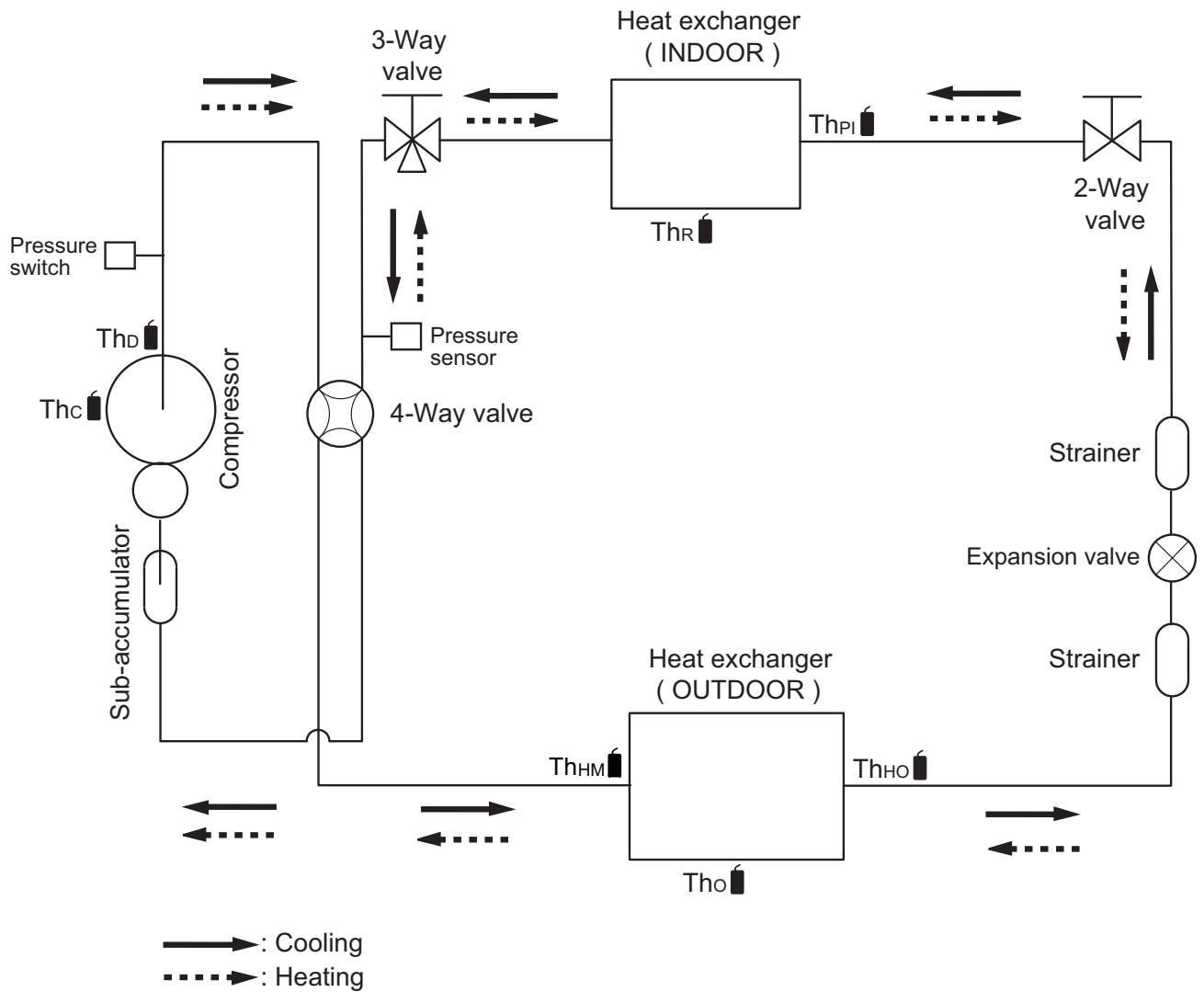
Th_R : Thermistor (Room temperature)

Th_{PI} : Thermistor (Pipe temperature)

6-4. Models: AOYG36KBTB and AOYG45KBTB

TECHNICAL DATA
AND PARTS LIST

TECHNICAL DATA
AND PARTS LIST

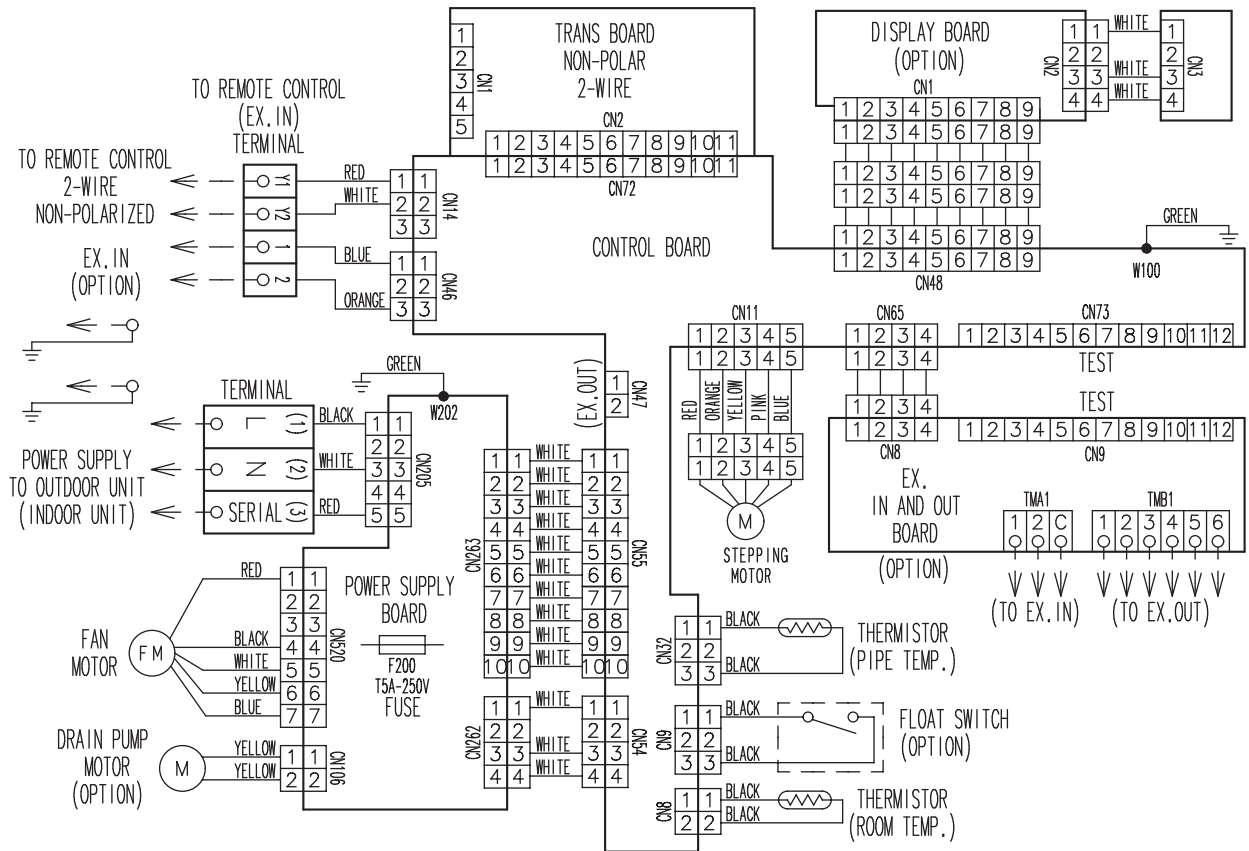


- Th_c : Thermistor (Compressor temperature)
- Th_d : Thermistor (Discharge temperature)
- Th_{HM} : Thermistor (Heat Exchanger Med temperature)
- Th_o : Thermistor (Outdoor temperature)
- Th_{HO} : Thermistor (Heat Exchanger Out temperature)
- Th_R : Thermistor (Room temperature)
- Th_{PI} : Thermistor (Pipe temperature)

7. Wiring diagrams

7-1. Indoor unit

Models: ABYG18KRTA, ABYG22KRTA, ABYG24KRTA and ABYG30KRTA



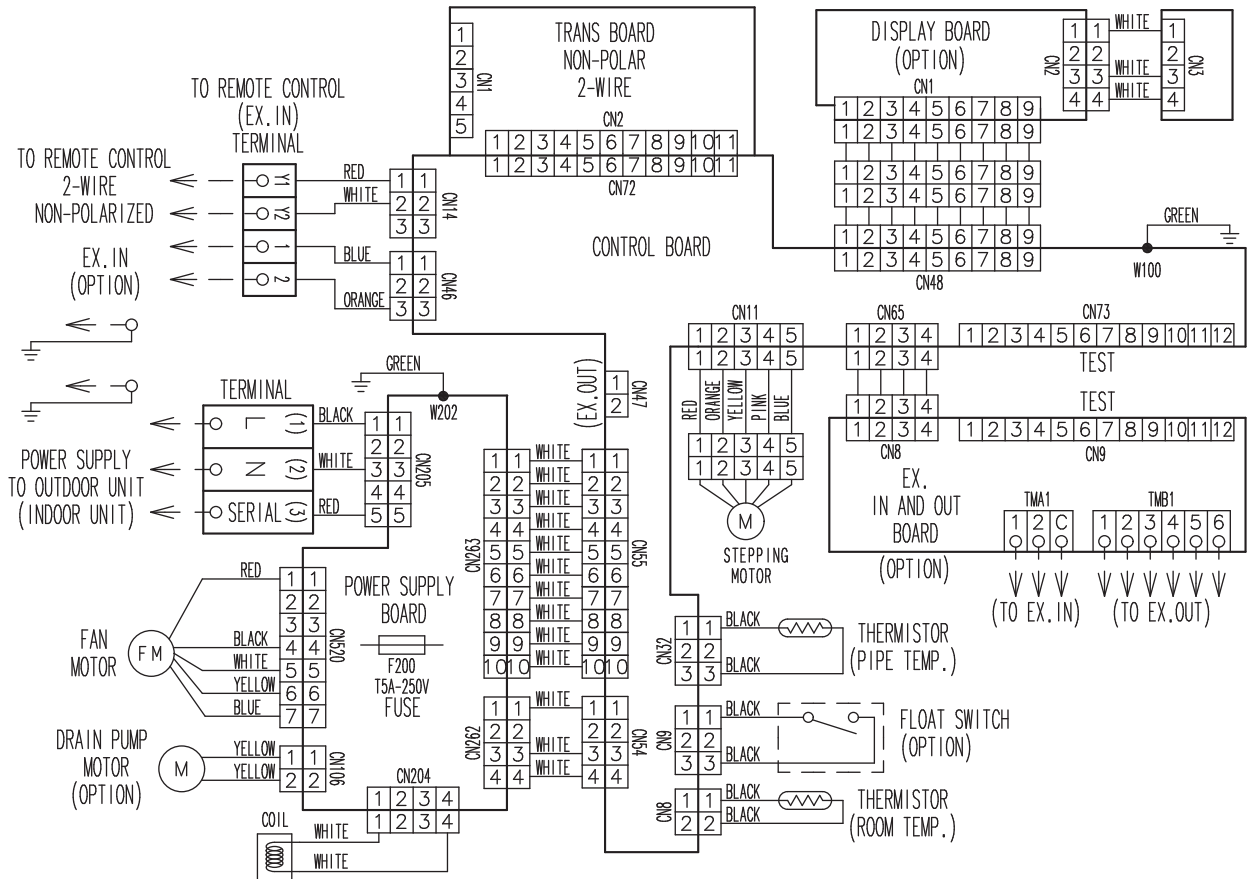
TECHNICAL DATA AND PARTS LIST

TECHNICAL DATA AND PARTS LIST

Models: ABYG36KRTA and ABYG45KRTA

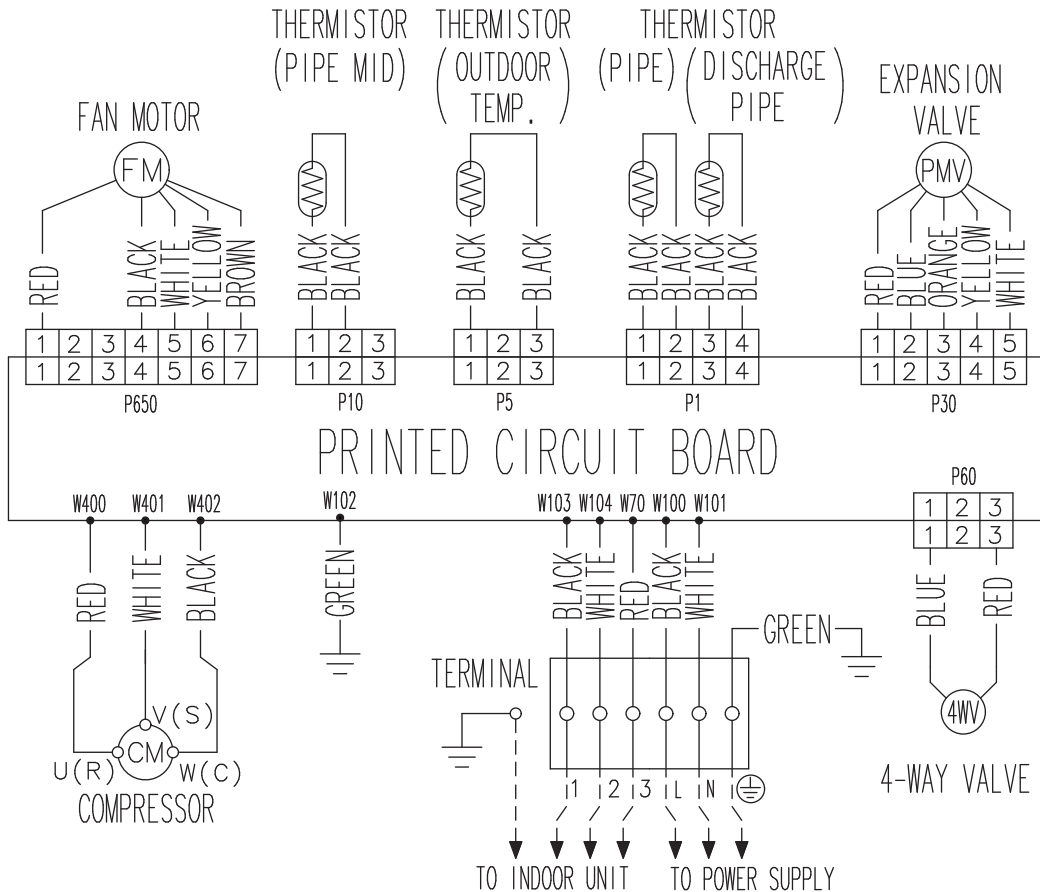
TECHNICAL DATA
AND PARTS LIST

TECHNICAL DATA
AND PARTS LIST

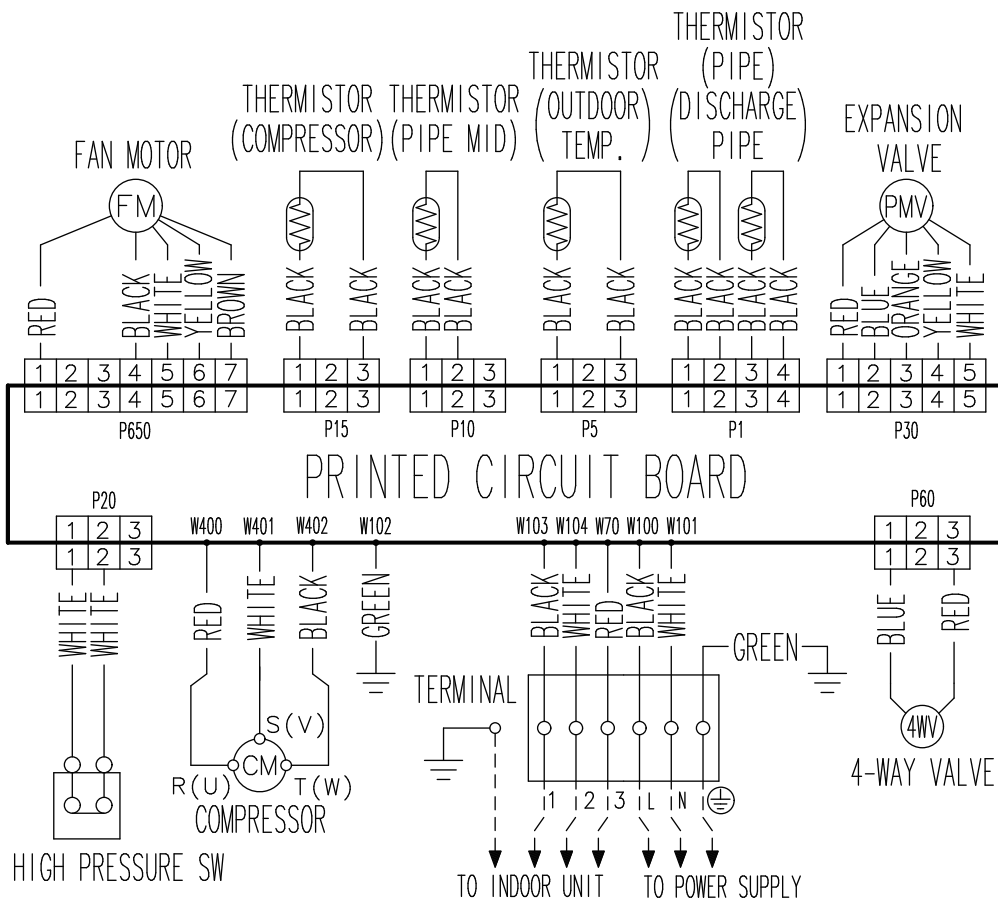


7-2. Outdoor unit

Model: AOYG18KBTB



Models: AOYG22KBTB and AOYG24KBTB



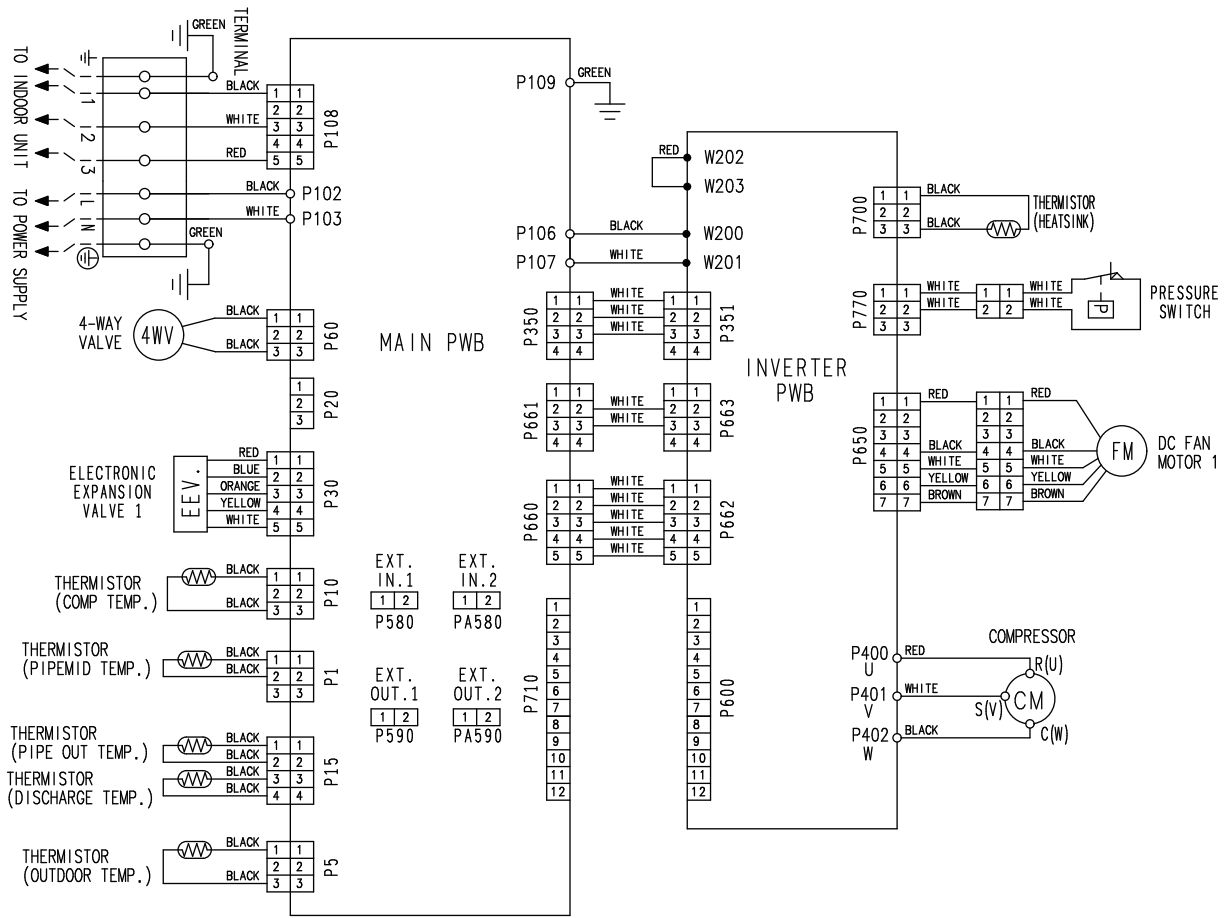
TECHNICAL DATA
AND PARTS LIST

TECHNICAL DATA
AND PARTS LIST

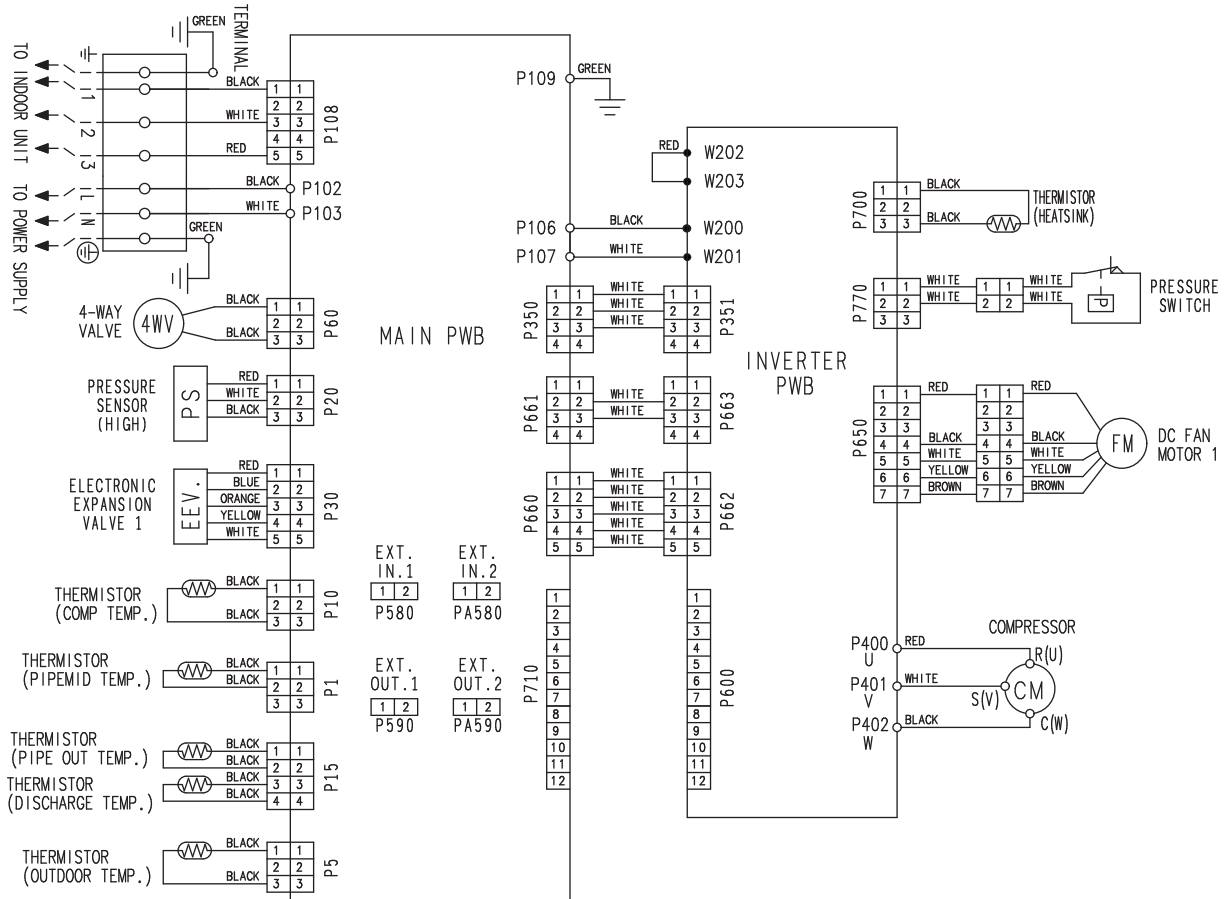
Model: AOYG30KBTB

TECHNICAL DATA
AND PARTS LIST

TECHNICAL DATA
AND PARTS LIST



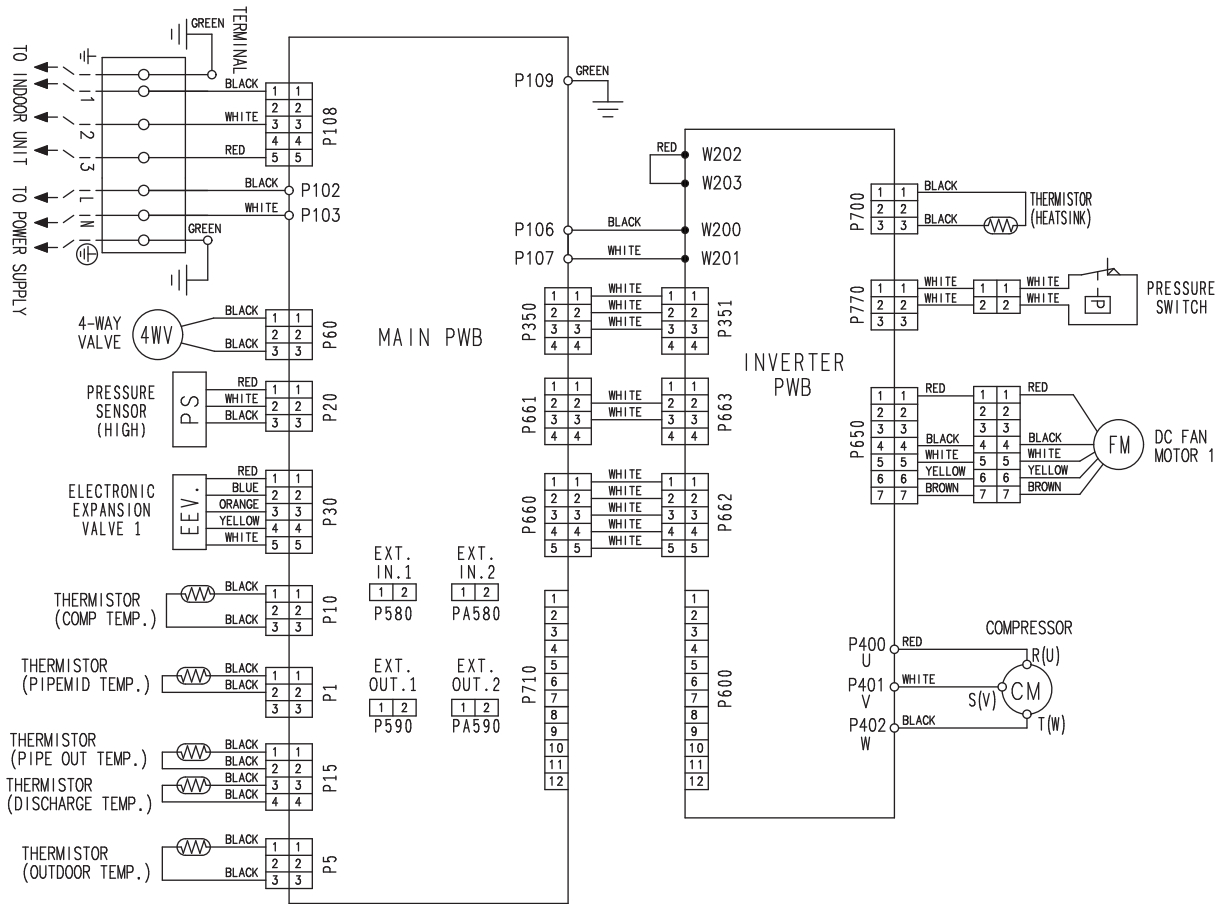
Model: AOYG36KBTB



Model: AOYG45KBTB

TECHNICAL DATA
AND PARTS LIST

TECHNICAL DATA
AND PARTS LIST

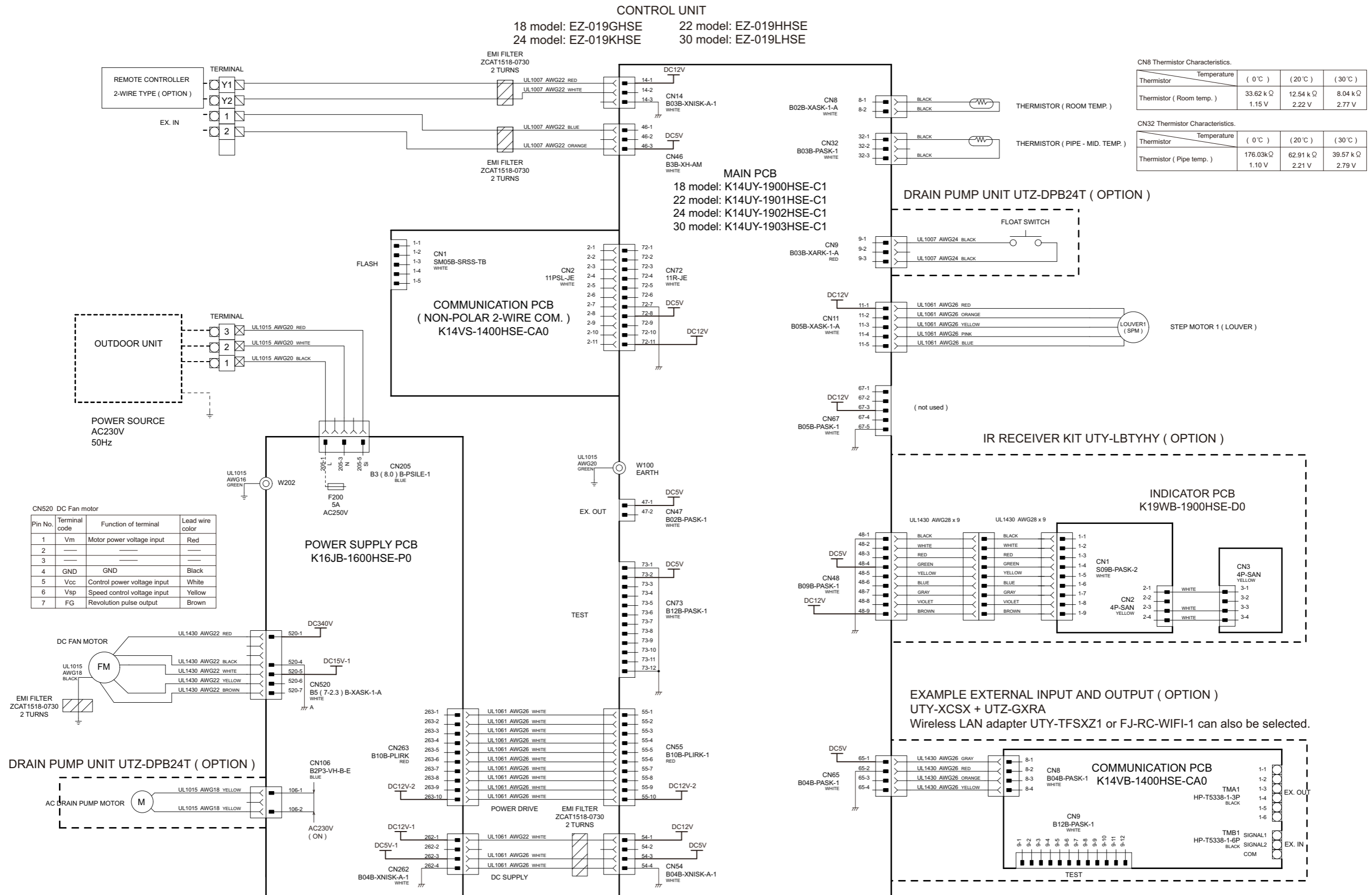


8. PC board diagrams

8-1. Models: ABYG18KRTA, ABYG22KRTA, ABYG24KRTA, and ABYG30KRTA

TECHNICAL DATA AND PARTS LIST

TECHNICAL DATA AND PARTS LIST

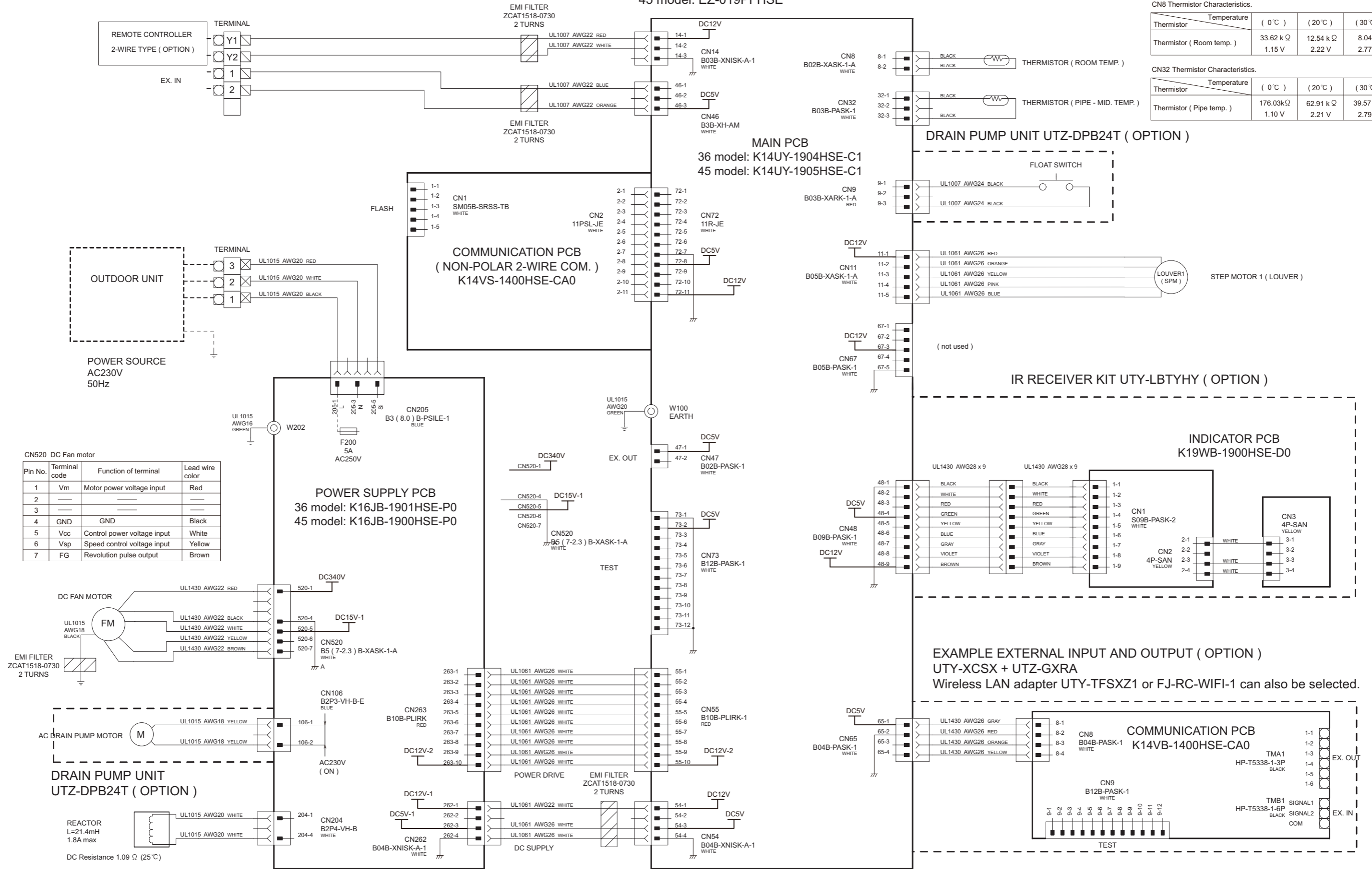


8-2. Models: ABYG36KRTA and ABYG45KRTA

TECHNICAL DATA AND PARTS LIST

TECHNICAL DATA AND PARTS LIST

CONTROL UNIT
36 model: EZ-019MHSE
45 model: EZ-019PFHSE



CN8 Thermistor Characteristics.

Thermistor	Temperature (0°C)	(20°C)	(30°C)
Thermistor (Room temp.)	33.62 kΩ	12.54 kΩ	8.04 kΩ
	1.15 V	2.22 V	2.77 V

CN32 Thermistor Characteristics.

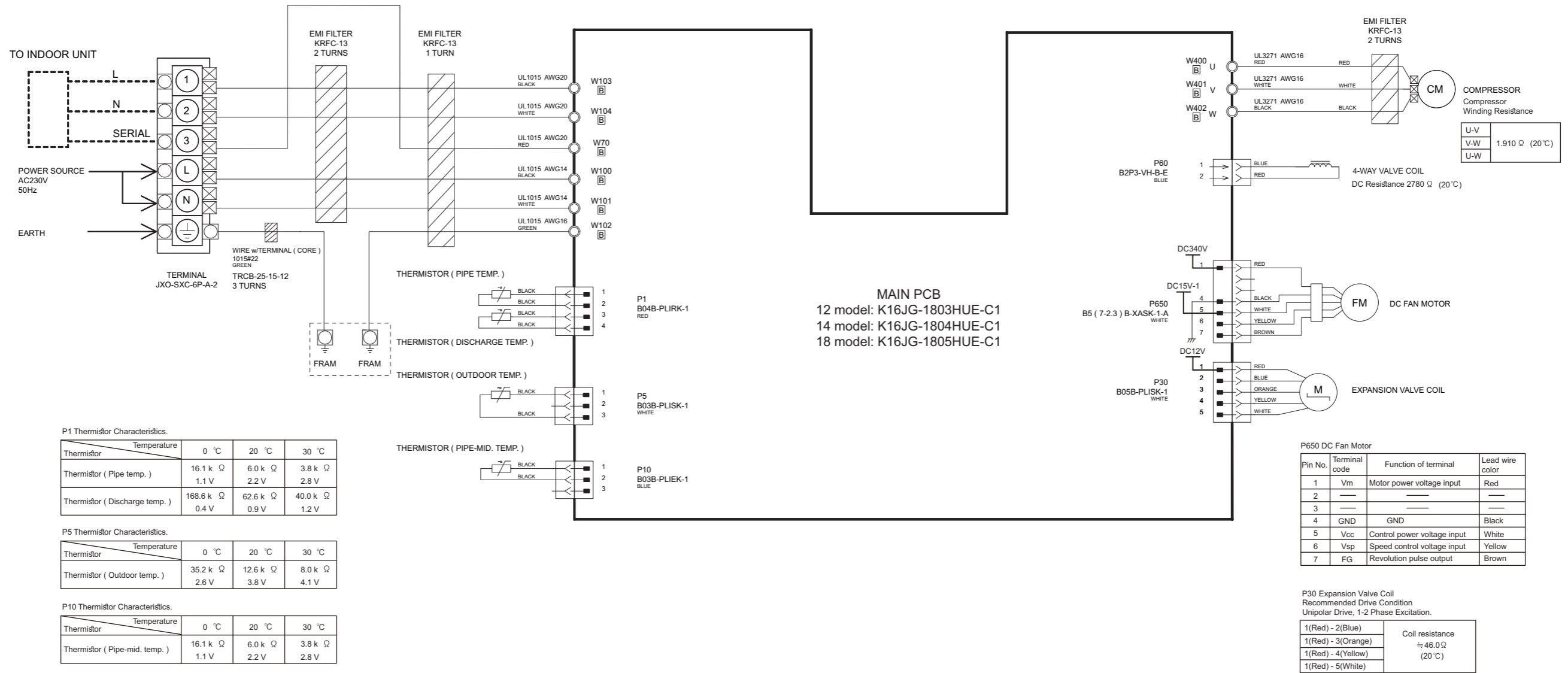
Thermistor	Temperature (0°C)	(20°C)	(30°C)
Thermistor (Pipe temp.)	176.03kΩ	62.91 kΩ	39.57 kΩ
	1.10 V	2.21 V	2.79 V

CN520 DC Fan motor

Pin No.	Terminal code	Function of terminal	Lead wire color
1	Vm	Motor power voltage input	Red
2			
3			
4	GND	GND	Black
5	Vcc	Control power voltage input	White
6	Vsp	Speed control voltage input	Yellow
7	FG	Revolution pulse output	Brown

8-3. Model: AOYG18KBTB

INVERTER ASSEMBLY
 12 model: EZ-018SHUE
 14 model: EZ-018THUE
 18 model: EZ-018THUE



P1 Thermistor Characteristics.

Thermistor	Temperature	0 °C	20 °C	30 °C
Thermistor (Pipe temp.)	Resistance	16.1 k Ω	6.0 k Ω	3.8 k Ω
	Voltage	1.1 V	2.2 V	2.8 V
Thermistor (Discharge temp.)	Resistance	168.6 k Ω	62.6 k Ω	40.0 k Ω
	Voltage	0.4 V	0.9 V	1.2 V

P5 Thermistor Characteristics.

Thermistor	Temperature	0 °C	20 °C	30 °C
Thermistor (Outdoor temp.)	Resistance	35.2 k Ω	12.6 k Ω	8.0 k Ω
	Voltage	2.6 V	3.8 V	4.1 V

P10 Thermistor Characteristics.

Thermistor	Temperature	0 °C	20 °C	30 °C
Thermistor (Pipe-mid. temp.)	Resistance	16.1 k Ω	6.0 k Ω	3.8 k Ω
	Voltage	1.1 V	2.2 V	2.8 V

MAIN PCB
 12 model: K16JG-1803HUE-C1
 14 model: K16JG-1804HUE-C1
 18 model: K16JG-1805HUE-C1

COMPRESSOR
 Compressor Winding Resistance

U-V	1.910 Ω (20 °C)
V-W	
U-W	

P650 DC Fan Motor

Pin No.	Terminal code	Function of terminal	Lead wire color
1	Vm	Motor power voltage input	Red
2	---	---	---
3	---	---	---
4	GND	GND	Black
5	Vcc	Control power voltage input	White
6	Vsp	Speed control voltage input	Yellow
7	FG	Revolution pulse output	Brown

P30 Expansion Valve Coil
 Recommended Drive Condition
 Unipolar Drive, 1-2 Phase Excitation.

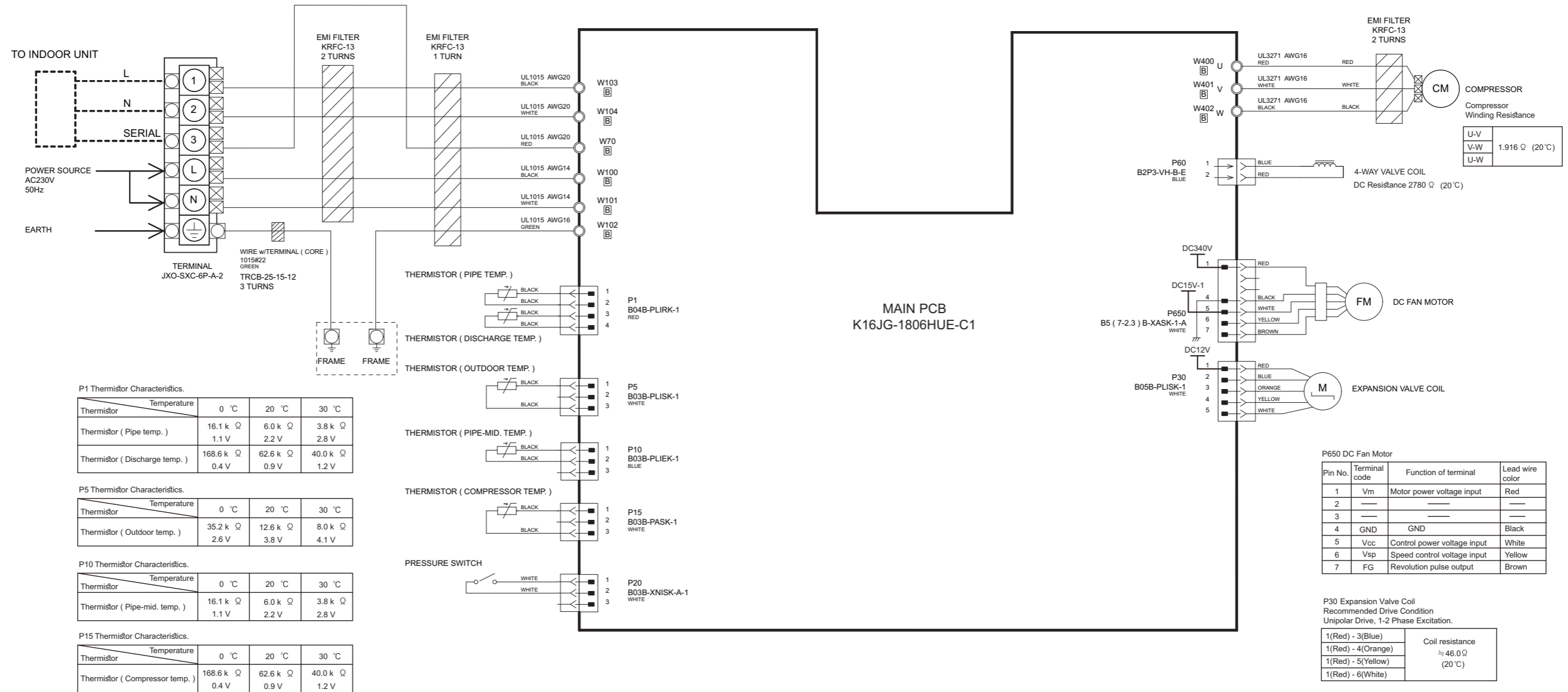
1(Red) - 2(Blue)	Coil resistance ≈ 46.0 Ω (20 °C)
1(Red) - 3(Orange)	
1(Red) - 4(Yellow)	
1(Red) - 5(White)	

8-4. Model: AOYG22KBTB

INVERTER ASSEMBLY EZ-0118YHUE

TECHNICAL DATA
AND PARTS LIST

TECHNICAL DATA
AND PARTS LIST

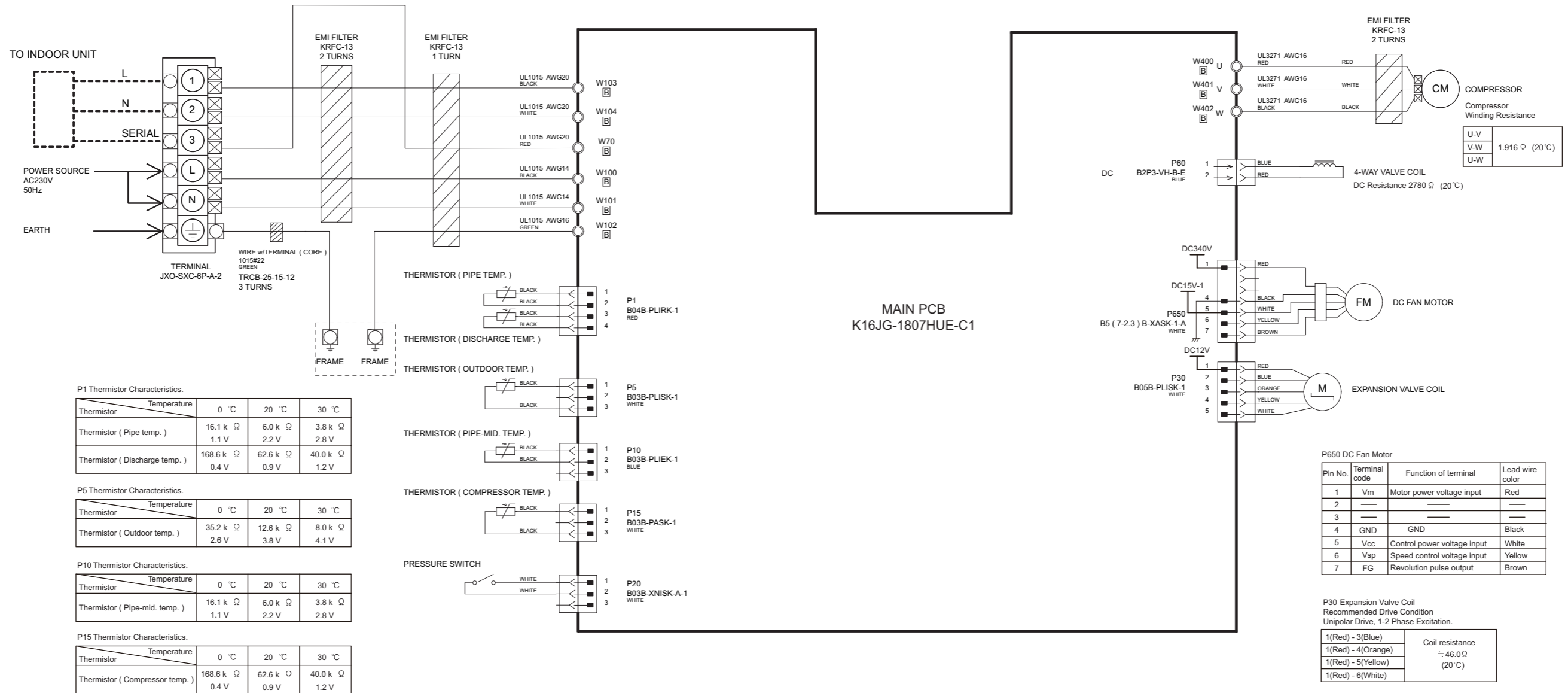


8-5. Model: AOYG24KBTB

INVERTER ASSEMBLY EZ-01801HUE

TECHNICAL DATA
AND PARTS LIST

TECHNICAL DATA
AND PARTS LIST

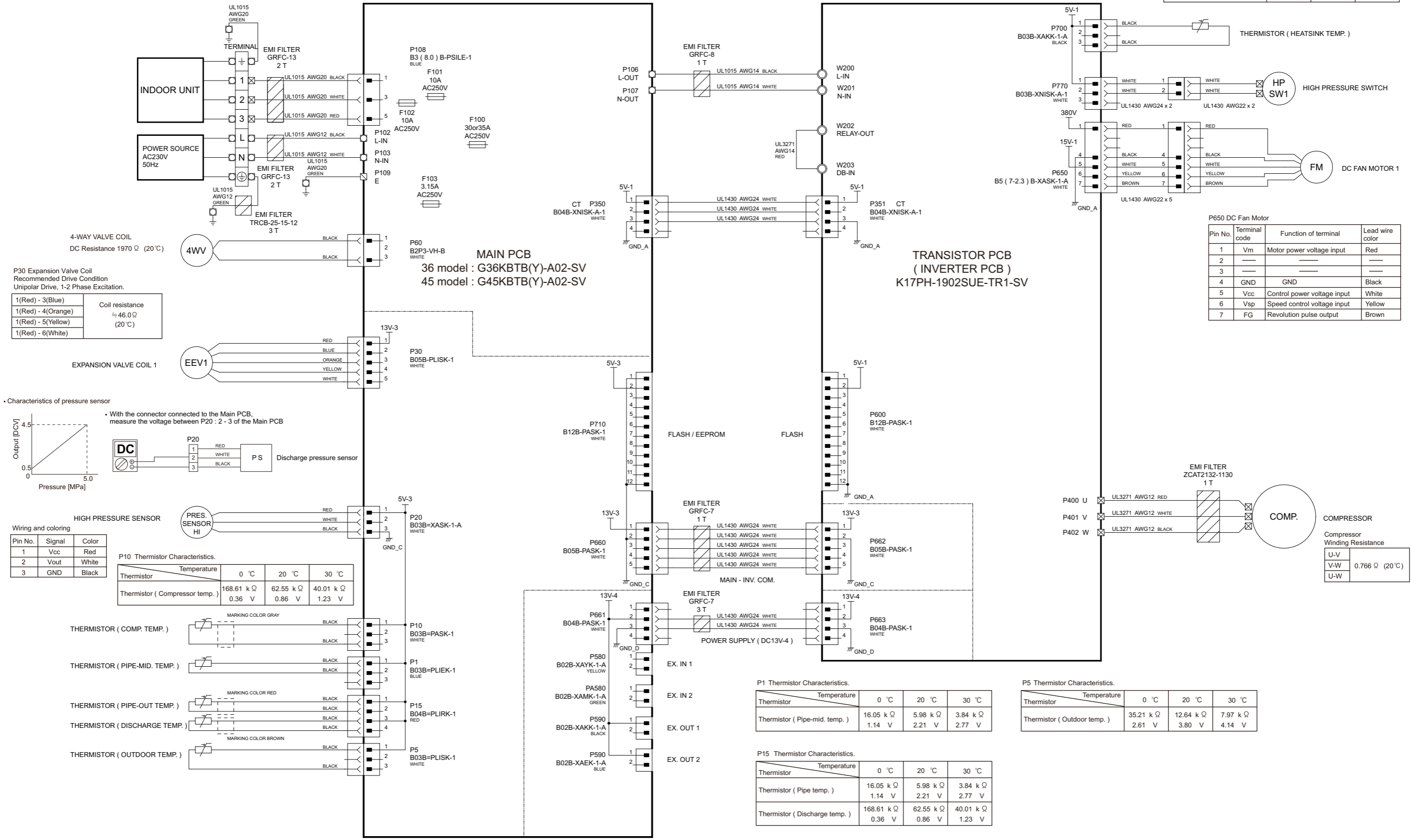


8-6. Models: AOYG30KBTB, AOYG36KBTB, and AOYG45KBTB

INVERTER ASSEMBLY
 36 model : EZ-0190DHUE
 45 model : EZ-0193KHUE

TECHNICAL DATA
AND PARTS LIST

TECHNICAL DATA
AND PARTS LIST



P700 Thermistor Characteristics.

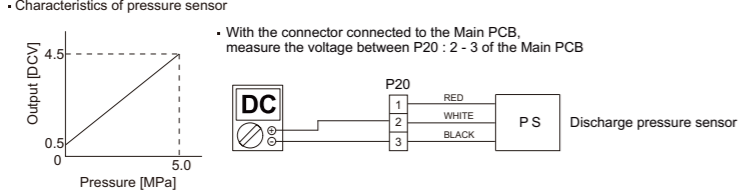
Thermistor	Temperature	0 °C	20 °C	30 °C
Thermistor		0.33 k Ω	0.12 k Ω	0.08 k Ω
Thermistor (Heatsink temp.)		4.10 V	4.62 V	4.75 V

P650 DC Fan Motor

Pin No.	Terminal code	Function of terminal	Lead wire color
1	Vm	Motor power voltage input	Red
2			
3			
4	GND	GND	Black
5	Vcc	Control power voltage input	White
6	Vsp	Speed control voltage input	Yellow
7	FG	Revolution pulse output	Brown

P30 Expansion Valve Coil Recommended Drive Condition Unipolar Drive, 1-2 Phase Excitation.

Coil resistance	Temperature
1(Red) - 3(Blue)	≈48.0 Ω (20 °C)
1(Red) - 4(Orange)	
1(Red) - 5(Yellow)	
1(Red) - 6(White)	



Wiring and coloring

Pin No.	Signal	Color
1	Vcc	Red
2	Vout	White
3	GND	Black

P10 Thermistor Characteristics.

Thermistor	Temperature	0 °C	20 °C	30 °C
Thermistor		168.61 k Ω	62.55 k Ω	40.01 k Ω
Thermistor (Compressor temp.)		0.36 V	0.86 V	1.23 V

P1 Thermistor Characteristics.

Thermistor	Temperature	0 °C	20 °C	30 °C
Thermistor		16.05 k Ω	5.98 k Ω	3.84 k Ω
Thermistor (Pipe-mid. temp.)		1.14 V	2.21 V	2.77 V

P5 Thermistor Characteristics.

Thermistor	Temperature	0 °C	20 °C	30 °C
Thermistor		35.21 k Ω	12.64 k Ω	7.97 k Ω
Thermistor (Outdoor temp.)		2.61 V	3.80 V	4.14 V

P15 Thermistor Characteristics.

Thermistor	Temperature	0 °C	20 °C	30 °C
Thermistor		16.05 k Ω	5.98 k Ω	3.84 k Ω
Thermistor (Pipe temp.)		1.14 V	2.21 V	2.77 V
Thermistor (Discharge temp.)		168.61 k Ω	62.55 k Ω	40.01 k Ω
		0.36 V	0.86 V	1.23 V

Compressor Winding Resistance

U-V	0.766 Ω (20°C)
V-W	
U-W	

3. TROUBLESHOOTING

CONTENTS

3. TROUBLESHOOTING

1. Error code	03-1
1-1. Error code table (Wired remote controller).....	03-1
1-2. Error code table (Outdoor unit: for 36 model only).....	03-2
2. Troubleshooting with error code	03-3
2-1. E: 11. Serial communication error (Serial reverse transfer error) (Outdoor unit).....	03-3
2-2. E: 11. Serial communication error (Serial forward transfer error) (Indoor unit)	03-5
2-3. E: 12. Wired remote controller communication error (Indoor unit)	03-7
2-4. E: 15. Automatic air flow adjustment error (Indoor unit).....	03-8
2-5. E: 22. Indoor unit capacity error (Indoor unit)	03-9
2-6. E: 23. Combination error (Outdoor unit).....	03-10
2-7. E: 32. Indoor unit main PCB error (Indoor unit)	03-11
2-8. E: 33. Indoor unit motor electricity consumption detection error (Indoor unit).....	03-12
2-9. E: 35. MANUAL AUTO button error (Indoor unit).....	03-13
2-10. E: 39. Indoor unit power supply error for fan motor (Indoor unit)	03-14
2-11. E: 41. Room temperature sensor error (Indoor unit)	03-15
2-12. E: 42. Indoor unit heat exchanger sensor error (Indoor unit)	03-16
2-13. E: 51. Indoor unit fan motor error (Indoor unit)	03-17
2-14. E: 53. Drain pump error (Indoor unit).....	03-18
2-15. E: 57. Damper (Open/Close) detection limit switch error	03-19
2-16. E: 58. Intake grille error (Indoor unit)	03-20
2-17. E: 62. Outdoor unit main PCB error (Outdoor unit).....	03-21
2-18. E: 63. Inverter error (Outdoor unit).....	03-22
2-19. E: 64. PFC circuit error (Outdoor unit)	03-23
2-20. E: 65. Trip terminal L error (Outdoor unit).....	03-24
2-21. E: 71. Discharge thermistor error (Outdoor unit).....	03-25
2-22. E: 73. Heat exchanger (Middle/Outlet) temperature thermistor error (Outdoor unit) ...	03-26
2-23. E: 74. Outdoor temperature thermistor error (Outdoor unit).....	03-27
2-24. E: 84. Current sensor error (Outdoor unit)	03-28
2-25. E: 86. High pressure switch error (Outdoor unit)	03-29
2-26. E: 94. Trip detection (Outdoor unit).....	03-30
2-27. E: 95. Compressor motor control error (Outdoor unit)	03-31
2-28. E: 97. Outdoor unit fan motor error (Outdoor unit).....	03-32
2-29. E: 99. 4-way valve error (Outdoor unit).....	03-33
2-30. E: A1. Discharge temperature error (Outdoor unit).....	03-35
2-31. E: A5. Low pressure error (Outdoor unit).....	03-37
3. Troubleshooting without error code	03-39
3-1. Indoor unit—No power.....	03-39
3-2. Outdoor unit—No power	03-40
3-3. No operation (Power is on).....	03-41
3-4. No cooling/No heating	03-42
3-5. Abnormal noise.....	03-44
3-6. Water leaking.....	03-45

CONTENTS (continued)

4. Service parts information	03-46
4-1. Compressor	03-46
4-2. Inverter compressor	03-47
4-3. Outdoor unit Electronic Expansion Valve (EEV)	03-51
4-4. Indoor unit fan motor	03-55
4-5. Outdoor unit fan motor	03-56
4-6. Pressure switch	03-57
4-7. 4-way valve coil (solenoid coil)/4-way valve	03-58
4-8. Discharge pressure sensor	03-59
5. Thermistor resistance values	03-60
5-1. Indoor unit	03-60
5-2. Outdoor unit	03-61

1. Error code

1-1. Error code table (Wired remote controller)

The operation, timer, and economy indicators operate according to the error contents.
For confirmation of the error contents, refer the flashing pattern as follows.

Error contents	Wired remote controller display
E: 11. Serial communication error (Serial reverse transfer error) (Outdoor unit)	11
E: 11. Serial communication error (Serial forward transfer error) (Indoor unit)	11
E: 12. Wired remote controller communication error (Indoor unit)	12
E: 15. Automatic air flow adjustment error (Indoor unit)	15
E: 22. Indoor unit capacity error (Indoor unit)	22
E: 23. Combination error (Outdoor unit)	23
E: 32. Indoor unit main PCB error (Indoor unit)	32
E: 33. Indoor unit motor electricity consumption detection error (Indoor unit)	33
E: 35. MANUAL AUTO button error (Indoor unit)	35
E: 39. Indoor unit power supply error for fan motor (Indoor unit)	39
E: 41. Room temperature sensor error (Indoor unit)	41
E: 42. Indoor unit heat exchanger sensor error (Indoor unit)	42
E: 51. Indoor unit fan motor error (Indoor unit)	51
E: 53. Drain pump error (Indoor unit)	53
E: 57. Damper (Open/Close) detection limit switch error	57
E: 58. Intake grille error (Indoor unit)	58
E: 62. Outdoor unit main PCB error (Outdoor unit)	62
E: 63. Inverter error (Outdoor unit)	63
E: 64. PFC circuit error (Outdoor unit)	64
E: 65. Trip terminal L error (Outdoor unit)	65
E: 71. Discharge thermistor error (Outdoor unit)	71
E: 73. Heat exchanger (Middle/Outlet) temperature thermistor error (Outdoor unit)	73
E: 74. Outdoor temperature thermistor error (Outdoor unit)	74
E: 84. Current sensor error (Outdoor unit)	84
E: 86. High pressure switch error (Outdoor unit)	86
E: 94. Trip detection (Outdoor unit)	94
E: 95. Compressor motor control error (Outdoor unit)	95
E: 97. Outdoor unit fan motor error (Outdoor unit)	97
E: 99. 4-way valve error (Outdoor unit)	99
E: A1. Discharge temperature error (Outdoor unit)	A1
E: A5. Low pressure error (Outdoor unit)	A5

1-2. Error code table (Outdoor unit: for 36 model only)

The operation status is determined by the lighting up and blinking of the LED lamp.
After check that ERROR LED lamp blinks, press the ENTER button once.

NOTE: For the positions of LED lamp and buttons, refer to "Functionsettings (for outdoor unit)" in Chapter 5. FIELD WORK.

Error contents	POWER/ MODE	ERROR	PUMP DOWN	LOW NOISE		PEAK CUT		
			L1	L2	L3	L4	L5	L6
E: 11. Serial communication error (Serial forward transfer error) (Indoor unit)	■ 2	●	■ 1	■ 1	○	○	●	●
E: 11. Serial communication error (Serial forward transfer error) (Indoor unit)	■ 2	●	■ 1	■ 1	○	●	○	○
E: 12. Wired remote controller communication error (Indoor unit)	■ 2	●	■ 5	■ 15	○	○	○	●
E: 23. Combination error (Outdoor unit)	■ 2	●	■ 5	■ 15	○	○	○	●
E: 32. Indoor unit main PCB error (Indoor unit)	■ 2	●	■ 5	■ 15	○	○	○	●
E: 35. MANUAL AUTO button error (Indoor unit)	■ 2	●	■ 5	■ 15	○	○	○	●
E: 41. Room temperature sensor error (Indoor unit)	■ 2	●	■ 5	■ 15	○	○	○	●
E: 42. Indoor unit heat exchanger sensor error (Indoor unit)	■ 2	●	■ 5	■ 15	○	○	○	●
E: 51. Indoor unit fan motor error (Indoor unit)	■ 2	●	■ 5	■ 15	○	○	○	●
E: 62. Outdoor unit main PCB error (Outdoor unit)	■ 2	●	■ 6	■ 2	○	○	○	●
E: 63. Inverter error (Outdoor unit)	■ 2	●	■ 6	■ 3	○	○	○	●
E: 71. Discharge thermistor error (Outdoor unit)	■ 2	●	■ 7	■ 1	○	○	○	●
E: 73. Heat exchanger (Middle/Outlet) temperature thermistor error (Outdoor unit)	■ 2	●	■ 7	■ 3	○	○	●	○
E: 74. Outdoor temperature thermistor error (Outdoor unit)	■ 2	●	■ 7	■ 4	○	○	○	●
E: 84. Current sensor error (Outdoor unit)	■ 2	●	■ 8	■ 4	○	○	○	●
E: 86. High pressure switch error (Outdoor unit)	■ 2	●	■ 8	■ 6	○	●	●	○
E: 95. Compressor motor control error (Outdoor unit)	■ 2	●	■ 9	■ 5	○	○	○	●
E: 97. Outdoor unit fan motor error (Outdoor unit)	■ 2	●	■ 9	■ 7	○	○	●	●
E: 99. 4-way valve error (Outdoor unit)	■ 2	●	■ 9	■ 9	○	○	○	●
E: A1. Discharge temperature error (Outdoor unit)	■ 2	●	■ 10	■ 1	○	○	○	●
E: A5. Low pressure error (Outdoor unit)	■ 2	●	■ 10	■ 5	○	○	○	●

● : Light on ○ : Light off ■ (n) : n Times blinking

2. Troubleshooting with error code

2-1. E: 11. Serial communication error (Serial reverse transfer error) (Outdoor unit)

Indicator	Wired remote controller	Error code	E: 11
Detective actuator	Outdoor unit	Main PCB	When the indoor unit cannot receive the serial signal from outdoor unit more than 2 minutes after power on, or the indoor unit cannot receive the serial signal more than 15 seconds during normal operation.
		Fan motor	
Forecast of cause			Connection failure
			External cause
			Main PCB failure
			Outdoor unit fan motor failure

Check point 1. Reset the power and operate

Does error indication show again?

→ If no, go to "Check point 1-2".



Check point 2. Check connection

Check any loose or removed connection line of indoor unit and outdoor unit.

Check connection condition is control unit. (If there is loose connector, open cable or mis-wiring.)

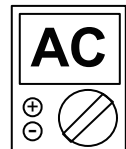
→ If there is an abnormal condition, correct it by referring to the installation manual or the "DESIGN & TECHNICAL MANUAL".



Check point 3. Check the voltage of power supply

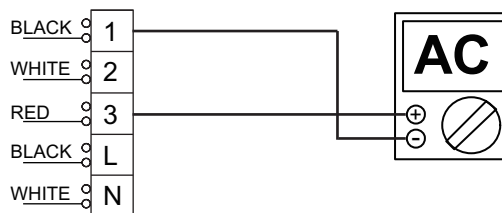
Check the voltage of power supply

Check if AC 198 V (AC 220 V -10%) to AC 264 V (AC 240 V +10%) appears at outdoor unit terminal L - N.



Check point 4. Check serial signal (Reverse transfer signal)

Check serial signal (Reverse transfer signal)



- Check if indicated value swings between AC 90 V and AC 270 V at the outdoor unit terminal 1—3.
- If it is abnormal, check the parts below.
 - Outdoor unit fan motor in "[Service parts information](#)" on page 03-46
- If outdoor fan motor is abnormal, replace outdoor unit fan motor and main PCB.
- If the checked parts are normal, replace the main PCB.



End

Check point 1-2. Check external cause such as noise

- Check the complete insulation of the grounding.
- Check if there is any equipment that causes harmonic wave near the power cable (Neon light bulb or any electronic equipment which causes harmonic wave).



End

2-2. E: 11. Serial communication error (Serial forward transfer error) (Indoor unit)

Indicator	Wired remote controller	Error code	E: 11
Detective actuator	Indoor unit	Main PCB	When the outdoor unit cannot receive the serial signal from indoor unit more than 10 seconds.
Forecast of cause			Connection failure
			External cause
			Main PCB failure

Check point 1. Reset the power and operate

Does error indication show again?

→ If no, go to "Check point 1-2".



Check point 2. Check connection

Check any loose or removed connection line of indoor unit and outdoor unit.

Check connection condition is control unit. (If there is loose connector, open cable or mis-wiring.)

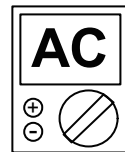
→ If there is an abnormal condition, correct it by referring to the installation manual or the "DESIGN & TECHNICAL MANUAL".



Check point 3. Check the voltage of power supply

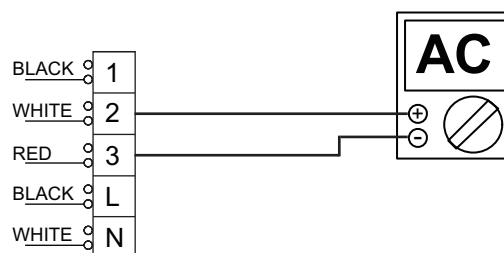
Check the voltage of power supply

Check if AC 198 V (AC 220 V -10%) to AC 264 V (AC 240 V +10%) appears at outdoor unit terminal L - N.



Check point 4. Check serial signal (Forward transfer signal)

Check serial signal (Forward transfer signal)



- Check if indicated value swings between AC 30 V and AC 130 V at outdoor unit terminal 2—3.
- If it is abnormal, replace main PCB.



End

Check point 1-2. Check external cause such as noise

- Check the complete insulation of the grounding.
- Check if there is any equipment that causes harmonic wave near the power cable (Neon light bulb or any electronic equipment which causes harmonic wave).



End

2-3. E: 12. Wired remote controller communication error (Indoor unit)

Indicator	Wired remote controller	Error code	E: 12
Detective actuator	Indoor unit	Main PCB	When the indoor unit cannot receive the signal from Wired remote controller more than 1 minute during normal operation.
	Wired remote control		
Forecast of cause			Terminal connection abnormal
			Wired remote control failure
			Main PCB failure

Check point 1. Check the connection of terminal

After turning off the power, check & correct the followings.

- Check the connection of terminal between wired remote controller and indoor unit, and check if there is a disconnection of the cable.



Check Point 1-2 : Check Wired remote controller and main PCB

Check voltage at CN14 of main PCB (terminal 1—3, terminal 1—2). (Power supply to the remote controller)

Upon correcting the removed connector or mis-wiring, reset the power.



- If it is DC 12 V, remote controller is failure. (Main PCB is normal)
 - Replace remote control
- If it is DC 0 V, main PCB is failure. (Check remote controller once again)
 - Replace main PCB



End

Check Point 2 : Wire installation wrong remote controller group setting

- Wrong wire connection in remote controller group (Please refer to the installation manual)
- The number of connecting indoor unit and remote controller in one remote controller group were less than 32 units.



Check Point 2-1 : Check Indoor unit main PCB

- Check if main PCB damage
- Change main PCB and check the error after setting remote controller address



End

2-4. E: 15. Automatic air flow adjustment error (Indoor unit)

Indicator	Wired remote controller	Error code	E: 15
Detective actuator	Indoor unit	Main PCB	<ul style="list-style-type: none"> On automatic airflow adjustment operation, when the fan speed other than 0rpm is detected at the 0rpm operation. On automatic airflow adjustment operation, when the fan speed is not reach the target speed, after 2 minutes from the fan started. On automatic airflow adjustment operation operation, when the 72:750W,90:1000W of input power is detected.
Forecast of cause			Fan rotation failure
			Fan motor winding open
			Indoor unit main PCB

Check point 1. Check the rotation of fan

Rotate the fan by hand when the operation is off. (Check if fan is caught, drop off or locked motor)
→ If fan or bearing is abnormal, replace it.



Check point 2. Check ambient temperature around the motor

Check excessively high temperature around the motor. (If there is any surrounding equipment that causes heat.)
→ Upon the temperature coming down, restart operation.



Check point 3. Check indoor unit fan motor

Check indoor unit fan motor. (Refer to indoor unit fan motor in "[Service parts information](#)" on page 03-46.)
→ If indoor unit fan motor is abnormal, replace it.



Check point 4. Replace main PCB

If check point 1-3 does not improve the symptom, change main PCB.



End

2-5. E: 22. Indoor unit capacity error (Indoor unit)

Detective actuator	Indoor unit main PCB	When the total capacity of the indoor units does not match outdoor unit capacity while 3 minutes after power on.
Forecast of cause		Indoor unit selection is incorrect.
		Main PCB failure

Check point 1. Check the total capacity of indoor units

Check the total capacity of the indoor units.

→ If abnormal condition is found, correct it referring to the installation manual or DESIGN & TECHNICAL MANUAL.



Check point 2. Replace main PCB

If check point 1 does not improve the symptom, change main PCB.



End

2-6. E: 23. Combination error (Outdoor unit)

Indicator	Wired remote controller	Error code	E: 23
Detective actuator	Indoor unit		• When the outdoor unit type is multi type
Forecast of cause			Incorrect indoor unit is selected.

Check point 1. Check the type of indoor unit

- Check the type of the connected indoor unit.
-> If there is an abnormal condition, correct it by refer to the installation manual or the "DESIGN & TECHNICAL MANAL".



Check point 2. Replace main PCB

If check point 1 do not improve the symptom, replace main PCB of the outdoor unit.



End

2-7. E: 32. Indoor unit main PCB error (Indoor unit)

Indicator	Wired remote controller	Error code	E: 32
Detective actuator	Indoor unit	main PCB	When power is on and there is some below case. 1. When model information of EEPROM is incorrect. 2. When the access to EEPROM failed.
Forecast of cause			External cause
			Defective connection of electric components
			Main PCB failure

Check point 1. Reset power supply and operate

Does error indication show again?

→ If no, go to "Check point 1-2".



Check point 2. Check Indoor unit electric components

- Check all connectors. (loose connector or incorrect wiring)
- Check any shortage or corrosion on PCB.



Check point 3. Replace main PCB

Change main PCB.



End

Check point 1-2. Check external cause such as noise

- Check if the ground connection is proper.
- Check if there is any equipment that causes harmonic wave near the power cable (Neon light bulb or any electronic equipment which causes harmonic wave).



End

NOTE: EEPROM

EEPROM (Electrically Erasable and Programmable Read Only Memory) is a non-volatile memory which keeps memorized information even if the power is turned off. It can change the contents electronically. To change the contents, it uses higher voltage than normal, and it cannot change a partial contents. (Rewriting shall be done upon erasing the all contents.) There is a limit in a number of rewriting.

2-8. E: 33. Indoor unit motor electricity consumption detection error (Indoor unit)

Indicator	Wired remote controller	Error code	E: 33
Detective actuator	Indoor unit motor electricity consumption detection		When the voltage value or the current value of the motor go beyond the limits
Forecast of cause			Fan motor failure
			Main PCB failure

Check point 1. Check the rotation of fan

Rotate the fan by hand when the operation is off. (Check if fan is caught, drop off or locked motor)
→ If fan or bearing is abnormal, replace it.



Check point 2. Check ambient temperature around the motor

Check excessively high temperature around the motor. (If there is any surrounding equipment that causes heat.)
→ Upon the temperature coming down, restart operation.



Check point 3. Check indoor unit fan motor

Check indoor unit fan motor. (Refer to indoor unit fan motor in "[Service parts information](#)" on page 03-46.)
→ If indoor unit fan motor is abnormal, replace it.



Check point 4. Replace main PCB

If check point 1-3 does not improve the symptom, change main PCB.



End

2-9. E: 35. MANUAL AUTO button error (Indoor unit)

Indicator	Wired remote controller	Error code	E: 35
Detective actuator	Indoor unit controller PCB		When the MANUAL AUTO button becomes on for consecutive 60 or more seconds.
	Indicator PCB		
	Manual auto switch		
Forecast of cause			MANUAL AUTO button failure
			Controller PCB and indicator PCB failure

Check point 1. Check the MANUAL AUTO button

- Check if MANUAL AUTO button is kept pressed.
- Check On/Off switching operation by using a meter.



If MANUAL AUTO button is disabled (on/off switching), replace it.



Check point 2. Replace main PCB and indicator PCB

If Check Point 1 does not improve the symptom, change main PCB and indicator PCB.



End

2-10. E: 39. Indoor unit power supply error for fan motor (Indoor unit)

Indicator	Wired remote controller	Error code	E: 39
Detective actuator	Indoor unit main PCB		<ul style="list-style-type: none"> When a momentary power cut off When do not start fan motor
Forecast of cause			External cause
			Connector connection failure
			Main PCB failure

Check point 1. Check external cause at indoor and outdoor (Voltage drop or Noise)

- Instant drop: Check if there is a large load electric apparatus in the same circuit.
- Momentary power failure: Check if there is a defective contact or leak current in the power supply circuit.
- Noise: Check if there is any equipment causing harmonic wave near electric line. (Neon bulb or electric equipment that may cause harmonic wave)
Check the complete insulation of grounding.



Check point 2. Check connection of Connector

- Check if connector is removed.
- Check erroneous connection.
- Check if cable is open.

→ Upon correcting the removed connector or mis-wiring, reset the power.



Check point 3. Replace main PCB

If check point 1 to 2 do not improve the symptom, change main PCB.



End

2-11. E: 41. Room temperature sensor error (Indoor unit)

Indicator	Wired remote controller	Error code	E: 41
Detective actuator	Indoor unit main PCB	Room temperature thermistor is open or short is detected always.	
	Room temperature thermistor		
Forecast of cause			Connector failure
			Thermistor failure
			Main PCB failure

Check point 1. Check connection of connector

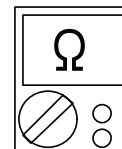
- Check if connector is loose or removed.
- Check erroneous connection.
- Check if thermistor cable is open

-> Reset power when reinstalling due to removed connector or incorrect wiring.



Check point 2. Remove connector and check thermistor resistance value

- For the room thermistor resistance value, refer to "[Thermistor resistance values](#)" on page 03-60.
- If thermistor is either open or shorted, replace it and reset the power.



Check point 3. Check voltage of main PCB

Make sure circuit diagram of each indoor unit and check terminal voltage at thermistor (DC 5.0 V).

NOTE: For details of thermistor connector, refer to "[Wiring diagrams](#)" in Chapter 2. TECHNICAL DATA AND PARTS LIST on page 02-33.

If the voltage does not appear, replace main PCB.



End

2-12. E: 42. Indoor unit heat exchanger sensor error (Indoor unit)

Indicator	Wired remote controller	Error code	E: 42
Detective actuator	Indoor unit main PCB	Heat exchanger temperature thermistor	When heat exchanger temperature thermistor open or short circuit is detected.
Forecast of cause			Connector connection failure
			Thermistor failure
			Main PCB failure

Check point 1. Check connection of connector

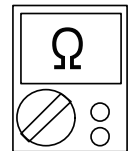
- Check if connector is loose or removed.
- Check erroneous connection.
- Check if thermistor cable is open

-> Reset power when reinstalling due to removed connector or incorrect wiring.



Check point 2. Remove connector and check thermistor resistance value

- For the heat exchanger thermistor resistance value, refer to "[Thermistor resistance values](#)" on page 03-60.
- If thermistor is either open or shorted, replace it and reset the power.

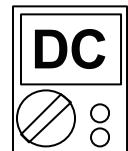


Check point 3. Check voltage of main PCB

Make sure circuit diagram of each indoor unit and check terminal voltage at thermistor (DC 5.0 V).

NOTE: For details of thermistor connector, refer to "[Wiring diagrams](#)" in Chapter 2. TECHNICAL DATA AND PARTS LIST on page 02-33.

If the voltage does not appear, replace main PCB.



End

2-13. E: 51. Indoor unit fan motor error (Indoor unit)

Indicator	Wired remote controller	Error code	E: 51
Detective actuator	Indoor unit	main PCB	When the condition that actual frequency of indoor fan is below 1/3 of target frequency is continued more than 56 seconds.
		Fan motor	
Forecast of cause			Fan rotation failure
			Fan motor winding open
			Motor protection by surrounding temperature rise
			Control PCB failure
			Indoor unit fan motor failure

Check point 1. Check rotation of fan

Rotate the fan by hand when operation is off. (Check if fan is caught, dropped off or locked motor)
→ If fan or bearing is abnormal, replace it.



Check point 2. Check ambient temperature around motor

Check excessively high temperature around the motor. (If there is any surrounding equipment that causes heat)
→ Upon the temperature coming down, restart operation.



Check point 3. Check indoor unit fan motor

Check Indoor unit fan motor. (Refer to indoor unit fan motor in "[Service parts information](#)" on page 03-46.)
→ If Indoor unit fan motor is abnormal, replace Indoor unit fan motor.



Check point 4. Replace main PCB

If Check Point 1 to 3 do not improve the symptom, replace main PCB.



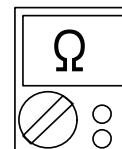
End

2-14. E: 53. Drain pump error (Indoor unit)

Indicator	Wired remote controller	Error code	E: 53
Detective actuator	Indoor unit main PCB Float switch		When Float switch is ON for more than 3 minutes.
Forecast of cause			Float switch failure
			Shorted connector/wire failure
			Main PCB failure
			Drain pump failure
			Hose clogging

Check point 1. Check float switch

- Check operation of float switch. (any blocking by dust, etc.)
- Remove float switch and check ON/OFF switching operation by using a meter.



-> If float switch is abnormal, replace it.



Check point 2. Check connector and wire

Check loose contact of CN9 and shorted wire (pinched wire).
-> Replace float switch if the wire is abnormal



Check point 3. Check drain hose

Check drain hose.
-> If there is hose clogging. Please clear the clog.



Check point 4. Check voltage of power supply and drain pump

Check drain pump
-> If drain pump is not run on the working condition, check the voltage of the CN71 on the main PCB.



Measurement result

- 12V: Replace the drain pump
- Other than 12V: Replace the main PCB

NOTE: For details of thermistor connector, refer to "[Wiring diagrams](#)" in Chapter 2. TECHNICAL DATA AND PARTS LIST on page 02-33.



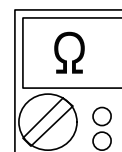
End

2-15. E: 57. Damper (Open/Close) detection limit switch error

Indicator	Wired remote controller	Error code	E: 57
Detective actuator	Indoor unit main PCB		<ul style="list-style-type: none"> When limit switch were not able to detect the close though the damper close.(Upper air flow) When limit switch were not able to detect the open though the damper open.(Upper & Lower air flow)
	Limit switch		
	Damper		
Forecast of cause			Limit switch failure
			Shorted connector/wire
			Damper failure
			Controller PCB failure

Check point 1. Check limit switch

- Check operation of limit switch. (any blocking by dust, etc.)
- Remove limit switch and check ON/OFF switching operation by using a meter.



-> If limit switch is detective, replace it.



Check point 2. Check connector (CN18)/wire

Check loose contact of CN18/shorted wire (pinched wire).

-> Replace limit switch if the wire is abnormal



Check point 3. Check Damper

- Check the obstruction of damper movement.
- Check the damper movement.

-> Replace damper if the damper is abnormal



Check point 4. Replace main PCB

If Check Point 1 and 3 do not improve the symptom, change main PCB.



End

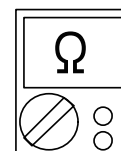
2-16. E: 58. Intake grille error (Indoor unit)

Indicator	Wired remote controller	Error code	E: 58
Detective actuator	Indoor unit main PCB	When the Micro switch is detected open while running the compressor.	
	Micro switch		
Forecast of cause			Micro switch failure
			Shorted connector/wire
			Main PCB failure

Check point 1. Check limit switch

- Check operation of Micro switch. (any blocking by dust, etc.)
- Remove Micro switch and check ON/OFF switching operation by using a meter.

-> If micro switch is detective, replace it.



Check point 2. Check connector (CN11)/wire

Check loose contact of CN11/shorted wire (pinched wire).

-> Replace micro switch if the wire is abnormal



Check point 3. Replace main PCB

If Check Point 1 and 2 do not improve the symptom, change main PCB.



End

2-17. E: 62. Outdoor unit main PCB error (Outdoor unit)

Indicator	Wired remote controller	Error code	E: 62
Detective actuator	Outdoor unit	Main PCB	Access to EEPROM failed due to some cause after outdoor unit started.
Forecast of cause			External cause (Noise, temporary open, voltage drop) Main PCB failure

Check point 1. Reset power supply and operate

Does error indication show again?

If no, go to "Check point 1-2".



Check point 2. Replace main PCB

Change main PCB.



End

Check point 1-2. Check external cause

- Check if temporary voltage drop was not generated.
- Check if momentary open was not generated.
- Check if ground is connection correctly or there are no related cables near the power line.



End

2-18. E: 63. Inverter error (Outdoor unit)

Indicator	Wired remote controller	Error code	E: 63
Detective actuator	Outdoor unit	Inverter PCB	Error information received from inverter PCB
Forecast of cause			External cause
			Power supply to inverter PCB wiring disconnection or open
			Inverter PCB failure

Check point 1. Turn the power on again?

Error displayed again?

If no, go to "[Check point 1-2](#)".



Check point 2. Check the wiring (power supply to inverter PCB)

- Connector and wiring connection state check
- Cable open check



Check point 3. Replace inverter PCB

Replace inverter PCB



End

Check point 1-2. Check external cause

- Check if temporary voltage drop was not generated.
- Check if momentary open was not generated.
- Check if ground is connection correctly or there are no related cables near the power line.



End

2-19. E: 64. PFC circuit error (Outdoor unit)

Indicator	Wired remote controller	Error code	E: 64
Detective actuator	Outdoor unit	Main PCB	<ul style="list-style-type: none"> When inverter input DC voltage is higher than 425 V or lower than 80 V If the same operation is repeated 5 times, the compressor stops permanently.
Forecast of cause			External cause
			Connector connection failure
			Main PCB failure

Check point 1. Check external cause at indoor and outdoor (Voltage drop or Noise)

- Instant drop: Check if there is a large load electric apparatus in the same circuit.
- Momentary power failure: Check if there is a defective contact or leak current in the power supply circuit.
- Noise: Check if there is any equipment causing harmonic wave near electric line. (Neon bulb or electric equipment that may cause harmonic wave)
Check the complete insulation of grounding.



Check point 2. Check connection of Connector

- Check if connector is removed.
- Check erroneous connection.
- Check if cable is open.

→ Upon correcting the removed connector or mis-wiring, reset the power.



Check point 3. Replace main PCB

If check point 1 to 2 do not improve the symptom, change main PCB.



End

2-20. E: 65. Trip terminal L error (Outdoor unit)

Indicator	Wired remote controller	Error code	E: 65
Detective actuator	Outdoor unit	Main PCB	When the signal from FO terminal (13—15) of IPM is “L” (0 V) during the compressor stopping.
Forecast of cause			Main PCB failure

Check point 1. Check main PCB

Replace the outdoor unit main PCB.



End

2-21. E: 71. Discharge thermistor error (Outdoor unit)

Indicator	Wired remote controller	Error code	E: 71
Detective actuator	Outdoor unit main PCB	When discharge pipe temperature thermistor open or short circuit is detected at power on or while running the compressor	
	Discharge pipe temperature thermistor		
Forecast of cause			Connector failure
			Thermistor failure
			Main PCB failure

Check point 1. Check connection of connector

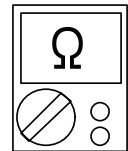
- Check if connector is loose or removed.
- Check erroneous connection.
- Check if thermistor cable is open

→ Reset power when reinstalling due to removed connector or incorrect wiring.



Check point 2. Remove connector and check thermistor resistance value

- For the discharge temperature thermistor resistance value, refer to "[Thermistor resistance values](#)" on page 03-60.
- If thermistor is either open or shorted, replace it and reset the power.

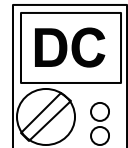


Check point 3. Check voltage of main PCB

Make sure circuit diagram of outdoor unit and check terminal voltage at thermistor (DC 5.0 V).

NOTE: For details of thermistor connector, refer to "[Wiring diagrams](#)" in Chapter 2. TECHNICAL DATA AND PARTS LIST on page 02-33.

If the voltage does not appear, replace main PCB.



End

2-22. E: 73. Heat exchanger (Middle/Outlet) temperature thermistor error (Outdoor unit)

Indicator	Wired remote controller	Error code	E: 73
Detective actuator	Heat exchanger liquid temperature thermistor		• Heat exchanger liquid temperature thermistor short or open detected
	Heat exchanger middle temperature thermistor		• Heat exchanger middle temperature thermistor short or open detected
Forecast of cause			Connector failure
			Thermistor failure
			Main PCB failure

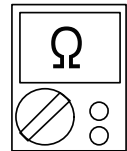
Check Point 1 : Check the connector connection and cable open

- Connector connection state check
- Cable open check



Check Point 2 : Check the thermistor

- For the outdoor unit heat exchanger thermistor resistance value, refer to "[Thermistor resistance values](#)" on page 03-60.
- If thermistor is either open or shorted, replace it and reset the power.



Check point 3. Check voltage of main PCB

Make sure circuit diagram of outdoor unit and check terminal voltage at thermistor (DC 5.0 V).

NOTE: For details of thermistor connector, refer to "[Wiring diagrams](#)" in Chapter 2. TECHNICAL DATA AND PARTS LIST on page 02-33.

If the voltage does not appear, replace main PCB.



End

2-23. E: 74. Outdoor temperature thermistor error (Outdoor unit)

Indicator	Wired remote controller	Error code	E: 74
Detective actuator	Outdoor unit main PCB	When outdoor temperature thermistor open or short circuit is detected at power on or while running the compressor	
	Outdoor temperature thermistor		
Forecast of cause			Connector failure
			Thermistor failure
			Main PCB failure

Check point 1. Check connection of connector

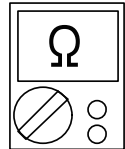
- Check if connector is loose or removed.
- Check erroneous connection.
- Check if thermistor cable is open

-> Reset power when reinstalling due to removed connector or incorrect wiring.



Check point 2. Remove connector and check thermistor resistance value

- For the outdoor temperature thermistor resistance value, refer to "[Thermistor resistance values](#)" on page 03-60.
- If thermistor is either open or shorted, replace it and reset the power.

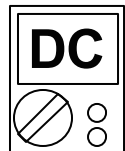


Check point 3. Check voltage of main PCB

Make sure circuit diagram of outdoor unit and check terminal voltage at thermistor (DC 5.0 V).

NOTE: For details of thermistor connector, refer to "[Wiring diagrams](#)" in Chapter 2. TECHNICAL DATA AND PARTS LIST on page 02-33.

If the voltage does not appear, replace main PCB.



End

2-24. E: 84. Current sensor error (Outdoor unit)

Indicator	Wired remote controller	Error code	E: 84
Detective actuator	Outdoor unit	main PCB	When input current sensor has detected 0 A, while inverter compressor is operating at higher than 50 rps, after 1 minute upon starting the compressor. (Except during the defrost operation)
Forecast of cause			Defective connection of electric components
			External cause
			Main PCB failure

Check point 1. Reset power supply and operate

Does error indication show again?

If no, go to "Check point 1-2".



Check point 2. Check connections of outdoor unit electrical components

- Check if the terminal connection is loose.
- Check if connector is removed.
- Check erroneous connection.
- Check if cable is open.

Upon correcting the removed connector or miswiring, reset the power.



Check point 3. Replace main PCB

If Check point 1, 2 do not improve the symptom, change main PCB.



End

Check point 1-2. Check external cause at Indoor and Outdoor (Voltage drop or Noise)

- Instant drop: Check if there is a large load electric apparatus in the same circuit.
- Momentary power failure: Check if there is a defective contact or leak current in the power supply circuit.
- Noise: Check if there is any equipment causing harmonic wave near electric line. (Neon bulb or electric equipment that may cause harmonic wave)
Check the complete insulation of grounding.



End

2-25. E: 86. High pressure switch error (Outdoor unit)

Indicator	Wired remote controller	Error code	E: 86
Detective actuator	Outdoor unit main PCB	When pressure switch open is detected in 10 seconds after the power is turned on.	
	High pressure switch		
Forecast of cause	High pressure switch connector disconnection or open		
	High pressure switch characteristics failure		
	Main PCB failure		

Check point 1. Check the high pressure switch connection state

- Check connector and wiring connection state.
- Check if cable is open

-> Reset power when reinstalling due to removed connector or incorrect wiring.



Check point 2. Check the high pressure switch characteristics

- Check switch characteristics.
For the characteristics of the high pressure switch, refer to below.



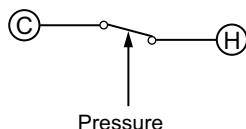
Check point 3. Replace main PCB

Change main PCB and check operation again.



End

- Type of contact



- Characteristics of pressure switch

Pressure switch 1	
Contact: Short → Open	4.2±0.1 MPa
Contact: Open → Short	3.2±0.15 MPa

30/36/45 model: P770

2-26. E: 94. Trip detection (Outdoor unit)

Indicator	Wired remote controller	Error code	E: 94
Detective actuator	Outdoor unit	Inverter PCB	Protection stop by over-current generation after inverter compressor start processing completed generated consecutively 10 times. NOTE: The number of generations is reset when the compressor starts up.
		Main PCB	
		Compressor	
Forecast of cause			Outdoor unit fan operation defective, foreign matter on heat-exchanger, excessive rise of ambient temperature
			Main PCB failure
			Inverter compressor failure (lock, winding short)
			Inverter PCB

Check point 1. Check the outdoor unit fan operation, heat-exchanger, ambient temperature

- No obstructions in air passages?
- Heat exchange fins clogged
- Outdoor unit fan motor check
- Ambient temperature not raised by the effect of other heat sources?
- Discharged air not sucked in?



Check point 2. Replace inverter PCB

If Check point 1 do not improve the symptom, change inverter PCB.



Check point 3. Replace main PCB

If Check point 1, 2 do not improve the symptom, change main PCB.



Check point 4. Replace compressor

If Check point 3 do not improve the symptom, change compressor.



End

2-27. E: 95. Compressor motor control error (Outdoor unit)

Indicator	Wired remote controller	Error code	E: 95
Detective actuator	Outdoor unit	Main PCB	"Protection stop by "overcurrent generation at inverter compressor starting" restart" generated consecutively 50 times x 3 sets (total 150 times)
		Compressor	
Forecast of cause			Defective connection of electric components
			Main PCB failure
			Compressor failure

Check point 1. Check Noise from Compressor

Turn on Power and check operation noise.
→ If an abnormal noise show, replace compressor.



Check point 2. Check connection of around the compressor components

For compressor terminal, main PCB

- Check if connector is removed.
- Check erroneous connection.
- Check if cable is open. (Refer to inverter compressor in "[Service parts information](#)" on page 03-46.)

→ Upon correcting the removed connector or mis-wiring, reset the power.



Check point 3. Replace main PCB

If Check point 1, 2 do not improve the symptom, change main PCB.



Check point 4. Replace compressor

If Check point 3 do not improve the symptom, change compressor.



End

2-28. E: 97. Outdoor unit fan motor error (Outdoor unit)

Indicator	Wired remote controller	Error code	E: 97
Detective actuator	Outdoor unit	Main PCB	<ol style="list-style-type: none"> When outdoor fan rotation speed is less than 100 rpm in 20 seconds after fan motor starts, fan motor stops. After fan motor restarts, if the same operation within 60 seconds is repeated 3 times in a row, compressor and fan motor stops. If 1. and 2. repeats 5 times in a row, compressor and fan motor stops permanently.
		Fan motor	
Forecast of cause			Fan rotation failure Motor protection by surrounding temperature rise Main PCB failure Outdoor unit fan motor

Check point 1. Check rotation of fan

Rotate the fan by hand when operation is off. (Check if fan is caught, dropped off or locked motor)
 → If fan or bearing is abnormal, replace it.



Check point 2. Check ambient temperature around motor

Check excessively high temperature around the motor. (If there is any surrounding equipment that causes heat)
 → Upon the temperature coming down, restart operation.



Check point 3. Check outdoor unit fan motor

Check outdoor unit fan motor. (Refer to outdoor unit fan motor in "[Service parts information](#)" on page 03-46.)
 → If outdoor unit fan motor is abnormal, replace outdoor unit fan motor and main PCB.



Check point 4. Check output voltage of main PCB

Check outdoor unit circuit diagram and the voltage. (Measure at main PCB side connector)

NOTE: For details of wiring diagram, refer to "[Wiring diagrams](#)" in Chapter 2. TECHNICAL DATA AND PARTS LIST on page 02-33.



Read wire	DC voltage
Red—Black	280 V (AC 220 V -10%) to 373 V (AC 240 V +10%)
White—Black	15 ± 1.5 V

-> If the voltage is not correct, replace Main PCB.



End

2-29. E: 99. 4-way valve error (Outdoor unit)

Indicator	Wired remote controller	Error code	E: 99
Detective actuator	Indoor unit	main PCB	When the indoor heat exchanger temperature is compared with the room temperature, and either following condition is detected continuously two times, the compressor stops. Indoor heat exchanger temp. - Room temp. > 10 °C (Cooling or Dry operation) Indoor heat exchanger temp. - Room temp. < -10 °C (Heating operation) If the same operation is repeated 5 times, the compressor stops permanently.
	Heat exchanger temperature thermistor		
	Room temperature thermistor		
	4-way valve		
Forecast of cause			Air filter clogged
			Connector connection failure
			Thermistor failure
			Coil failure
			4-way valve failure
		Main PCB failure	

Check point 1. Check air filter condition

Check air filter dirty.

→ If the air filter dirty, clean up the air filter.



Check point 2. Check connection of connector

- Check if connector is removed.
- Check erroneous connection.
- Check if thermistor cable is open.

→ Upon correcting the removed connector or mis-wiring, reset the power.



Check point 3. Check each thermistor

- Isn't it fallen off the holder?
- Is there a cable pinched?

Check characteristics of room thermistor and indoor unit heat exchanger thermistor.

For the thermistor resistance value, refer to "[Thermistor resistance values](#)" on page 03-60.

→ If defective, replace the thermistor.



Check point 4. Check the solenoid coil and 4-way valve

NOTE: Refer solenoid coil and 4-way valve in "[Service parts information](#)" on page 03-46.

- **Solenoid coil**
Remove from PCB and check the resistance value of coil. Resistance value is 2.1 kΩ°C).
→ If it is open or abnormal resistance value, replace solenoid coil.
- **4-way valve**
Check each piping temperature, and the location of the valve by the temperature difference.
If the value location is not proper, replace 4-way valve.

**Check point 5. Replace main PCB**

If Check Point 1 to 4 do not improve the symptom, replace main PCB.



End

2-30. E: A1. Discharge temperature error (Outdoor unit)

Indicator	Wired remote controller	Error code	E: A1
Detective actuator	Outdoor unit main PCB		Protection stop by discharge temperature ≥ 110 °C during compressor operation generated 2 times within 24 hours.
	Discharge temperature thermistor		
Forecast of cause			3-way valve not opened
			EEV defective, strainer clogged
			Outdoor unit operation failure, foreign matter on heat exchanger
			Discharge temperature thermistor failure
			Insufficient refrigerant
			Main PCB failure

Check point 1. Check if 3-way valve is open

If the 3-way valve is closed, open the 3-way valve and check operation.

NOTE: For cooling operation, check gas side of the 3-way valve.
For heating operation, check liquid side of the 3-way valve.



Check point 2. Check the electronic expansion valve (EEV) and strainer

- Check if EEV open.
Refer to outdoor unit Electronic Expansion Valve (EEV) in "[Service parts information](#)" on page 03-46.
- Check the strainer clogging.



Check point 3. Check the outdoor unit fan and heat exchanger

- Check for foreign object at heat exchanger
- Check if fan can be rotated by hand.
- Check the motor. (Refer to outdoor unit fan motor in "[Service parts information](#)" on page 03-46.)



Check point 4. Check the discharge thermistor

The discharge temperature thermistor characteristics check. (Check by disconnecting thermistor from PCB.)

NOTE: For the characteristics of the thermistor, refer to "[Thermistor resistance values](#)" on page 03-60.



Check point 5. Check the refrigerant amount

Check the refrigerant leakage.



Check point 6. Replace main PCB

If check point 1 to 5 do not improve the symptom, replace the main PCB.



End

2-31. E: A5. Low pressure error (Outdoor unit)

Indicator	Wired remote controller	Error code	E: A5
Detective actuator	Outdoor unit main PCB		Protection stop by suction pressure ≥ 0.02 MPaG continued 5 minutes repeats 5 times within 24 hours.
	Suction pressure sensor		
Forecast of cause			3-way valve not opened
			Outdoor unit ambient temperature too low
			Outdoor unit operation failure, foreign matter on heat exchanger
			EEV defective, strainer clogged
			Solenoid valve defective
			Low pressure sensor characteristics defective
			Insufficient refrigerant
			Main PCB failure

Check point 1. Check if 3-way valve is open

If the 3-way valve is closed, open the 3-way valve and check operation.

NOTE: For cooling operation, check gas side of the 3-way valve.

For heating operation, check liquid side of the 3-way valve.



Check point 2. Check the outdoor unit ambient temperature (Only when heating operation)

Outdoor unit ambient temperature lower than operating range?



Check point 3. Check the outdoor unit fan and heat exchanger (Only when heating operation)

- No foreign object in air passage?
- Heat exchanger fins clogged?
- Fan rotates?
- Check the motor. (Refer to outdoor unit fan motor in "[Service parts information](#)" on page 03-46.)



Check point 4. Check the electronic expansion valve (EEV) and strainer

- Check if EEV open.
Refer to outdoor unit Electronic Expansion Valve (EEV) in "[Service parts information](#)" on page 03-46.
- Check the strainer clogging.



Check point 5. Check the suction pressure sensor

Check the suction pressure sensor characteristics.

NOTE: For the characteristics of the thermistor, refer to suction pressure sensor in "[Service parts information](#)" on page 03-46.



Check point 6. Check the refrigerant amount

Check the refrigerant leakage.



Check point 7. Replace main PCB

If check point 1 to 6 do not improve the symptom, replace the main PCB.



End

3. Troubleshooting without error code

3-1. Indoor unit—No power

Forecast of cause	Power supply failure
	External cause
	Electrical components defective

Check point 1. Check installation condition

- Isn't the breaker down?
- Check loose or removed connection cable.

-> If abnormal condition is found, correct it by referring to the installation manual or the "DESIGN & TECHNICAL MANUAL".



Check point 2. Check external cause at indoor and outdoor (voltage drop or noise)

- Instant drop: Check if there is a large load electric apparatus in the same circuit.
- Momentary power failure: Check if there is a defective contact or leak current in the power supply circuit.
- Noise: Check if there is any equipment causing harmonic wave near electric line. (Neon bulb or electric equipment that may cause harmonic wave)
Check the complete insulation of grounding.

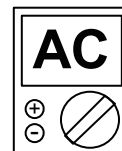


Check point 3. Check electrical components

Check the voltage of power supply.

Check if AC 198 to 264 V appears at outdoor unit terminal L—N.

-> If no, go to "[Check point 1](#)" and "[Check point 2](#)".



- Check fuse in filter PCB.
If fuse is open, check if the wiring between terminal and filter PCB is loose, and replace fuse.
- Check varistor in filter PCB.
If varistor is defective, there is a possibility of an abnormal power supply.
Check the correct power supply and replace varistor.
Upon checking the normal power supply, replace varistor.



End

3-2. Outdoor unit—No power

Forecast of cause	Power supply failure
	External cause
	Electrical components defective

Check point 1. Check installation condition

- Is the circuit breaker on or off?
- Check loose or removed connection cable.

→ If abnormal condition is found, correct it by referring to the installation manual or the "DESIGN & TECHNICAL MANUAL".



Check point 2. Check external cause at indoor and outdoor (voltage drop or noise)

- Instant drop: Check if there is a large load electric apparatus in the same circuit.
- Momentary power failure: Check if there is a defective contact or leak current in the power supply circuit.
- Noise: Check if there is any equipment causing harmonic wave near electric line. (Neon bulb or electric equipment that may cause harmonic wave)
Check the complete insulation of grounding.

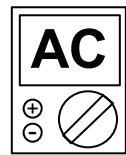


Check point 3. Check electrical components

Check the voltage of power supply.

Check if AC 198 to 264 V appears at outdoor unit terminal L - N

→ If no, go to "[Check point 1](#)" and "[Check point 2](#)".



- Check fuse in main PCB.
If fuse is open, check if the wiring between terminal and main PCB is loose, and replace fuse.



Check point 4. Replace main PCB

If check point 1 to 3 do not improve the symptom, change main PCB.



End

3-3. No operation (Power is on)

Forecast of cause	Setting/ Connection failure
	External cause
	Electrical components defective

Check point 1. Check indoor and outdoor installation condition

- Indoor unit:
 - Check incorrect wiring between indoor unit and remote controller.
 - Check if there is an open cable connection.
 - Are these indoor unit, outdoor unit, and remote controller suitable model numbers to connect?
- > If there is some abnormal condition, correct it by referring to the installation manual and "DESIGN & TECHNICAL MANUAL".



Turn off the power and check correct followings.

- Is there loose or removed communication line of indoor unit and outdoor unit?



Check point 2. Check external cause at indoor and outdoor (Voltage drop or Noise)

- Instant drop: Check if there is a large load electric apparatus in the same circuit.
- Momentary power failure: Check if there is a defective contact or leak current in the power supply circuit.
- Noise: Check if there is any equipment causing harmonic wave near electric line. (Neon bulb or electric equipment that may cause harmonic wave)
Check the complete insulation of grounding.



Check point 3. Check wired remote controller and controller PCB

Check voltage at CN14 (terminal 1—3) of main PCB.

(Power supply to remote controller)

- If it is DC 12 V, remote controller is failure. (The controller PCB is normal)
-> Replace remote controller.
- If it is DC 0 V, controller PCB is failure. (Check the remote controller once again)
-> Replace controller PCB.



Check point 4. Replace main PCB

If check point 1 to 3 do not improve the symptom, change main PCB.



End

3-4. No cooling/No heating

Forecast of cause	Indoor unit error
	Outdoor unit error
	Effect by surrounding environment
	Connection pipe/Connection wire failure
	Refrigeration cycle failure

Check point 1. Check Indoor unit

- Does Indoor unit fan run in the HIGH mode?
- Is air filter dirty?
- Is heat exchanger clogged?
- Check if energy save function is operated.



Check point 2. Check outdoor unit operation

- Check if outdoor unit is operating.
- Check any objects that obstruct the air flow route.
- Check if heat exchanger is clogged.
- Is the valve open?



Check point 3. Check site condition

- Is capacity of Indoor unit fitted to the room size?
- Any windows open or direct sunlight?



Check point 4. Check Indoor/ Outdoor installation condition

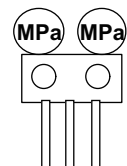
- Check connection pipe (specified pipe length and pipe diameter?)
- Check any loose or removed communication line.

→ If there is an abnormal condition, correct it by referring to the installation manual or the "DESIGN & TECHNICAL MANUAL".



Check point 5. Check Refrigeration cycle

- Check if strainer is clogged (Refer to the figure below).
- Measure gas pressure, and if there is a leakage, correct it.
- Check the electronic expansion valve.
Refer to outdoor unit Electronic Expansion Valve (EEV) in "[Service parts information](#)" on page 03-46.
- Check compressor.
Refer to compressor in "[Service parts information](#)" on page 03-46.
Refer to inverter compressor in "[Service parts information](#)" on page 03-46.



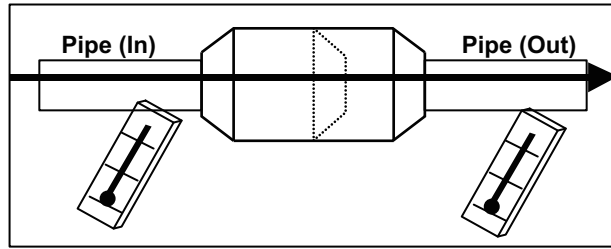
NOTE: When recharging the refrigerant, make sure to perform vacuuming, and recharge the specified amount.



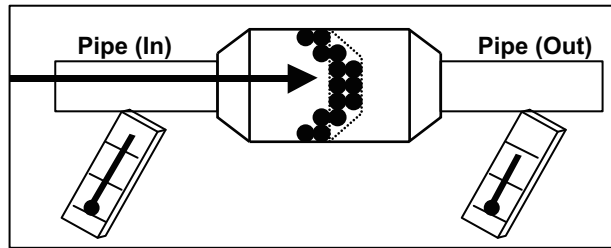
End

NOTES:

- Strainer normally does not have temperature difference between inlet and outlet as shown below.



- If there is a difference like shown below, there is a possibility of inside clogged. In this case, replace the strainer.



3-5. Abnormal noise

Forecast of cause	Abnormal installation (indoor unit/outdoor unit)
	Fan failure (indoor unit/outdoor unit)
	Compressor failure (outdoor)

Diagnosis method when abnormal noise is occurred

TROUBLESHOOTING

TROUBLESHOOTING

Abnormal noise is coming from Indoor unit.
(Check and correct followings)

Abnormal noise is coming from Outdoor unit.
(Check and correct followings)

- Is main unit installed in stable condition?
- Is the installation of air suction grille and front panel normal?

- Is main unit installed in stable condition?
- Is fan guard installed normally?

- Is fan broken or deformed?
- Is the screw of fan loose?
- Is there any object which obstruct the fan rotation?

- Is fan broken or deformed?
- Is the screw of fan loose?
- Is there any object which obstruct the fan rotation?

End

Check if vibration noise by loose bolt or contact noise of piping is happening.

- Is compressor locked?
- Check Compressor
Refer to compressor and inverter compressor in "[Service parts information](#)" on page 03-46.

End

3-6. Water leaking

Forecast of cause

Erroneous installation

Drain hose failure

Diagnosis method when water leak occurs

- Is main unit installed in stable condition?
- Is main unit broken or deformed at the time of transportation or maintenance?



- Is drain hose connection loose?
- Is there a trap in drain hose?
- Is drain hose clogged?



Is fan rotating?



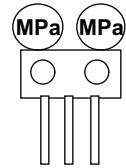
End

Diagnosis method when water is spitting out

Is the filter clogged?



Check gas pressure and correct it if there was a gas leak.

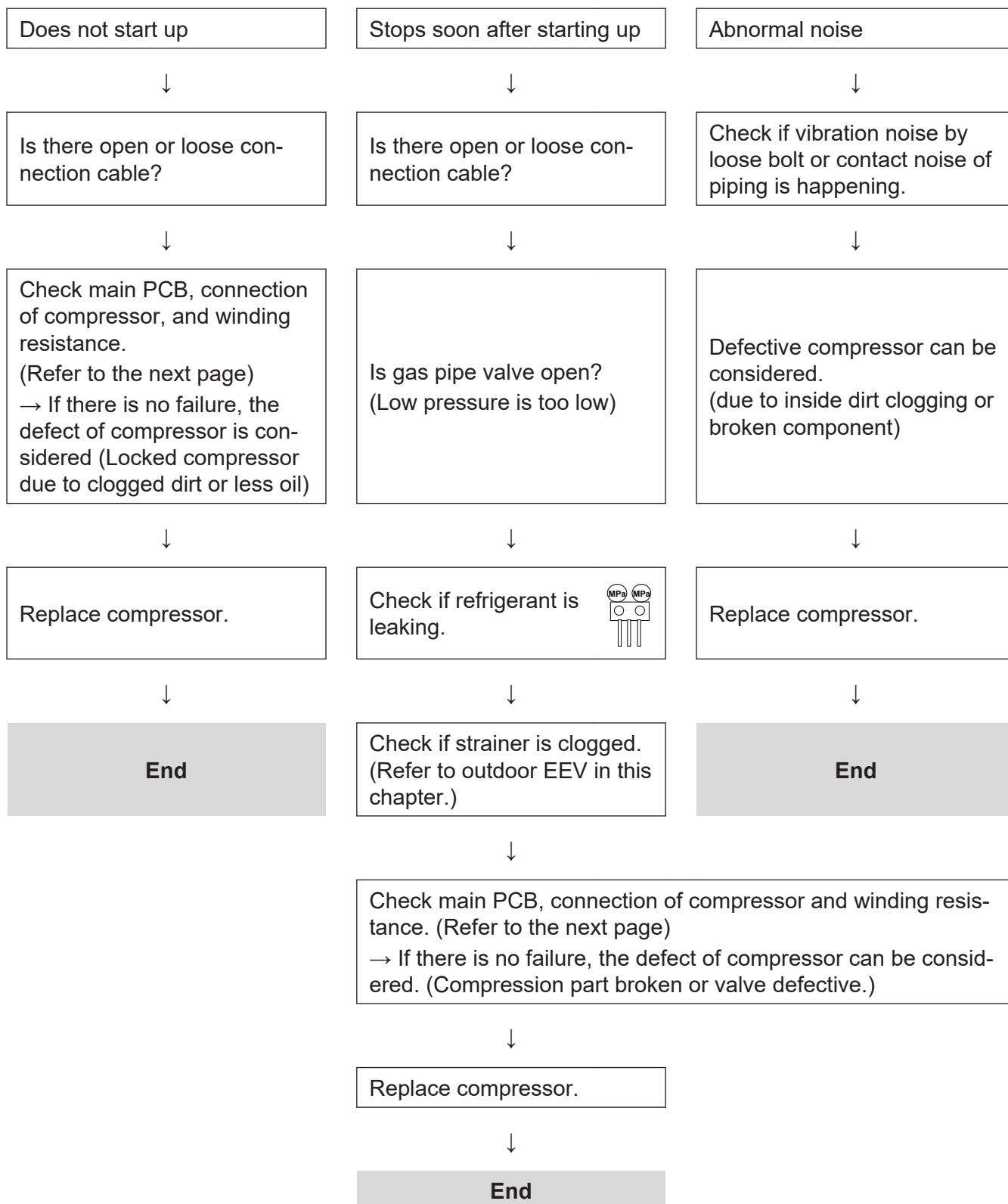


End

4. Service parts information

4-1. Compressor

Diagnosis method of compressor (If outdoor unit LED displays error, refer to troubleshooting)

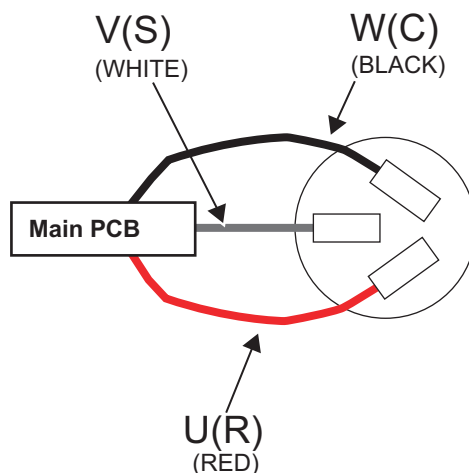


4-2. Inverter compressor

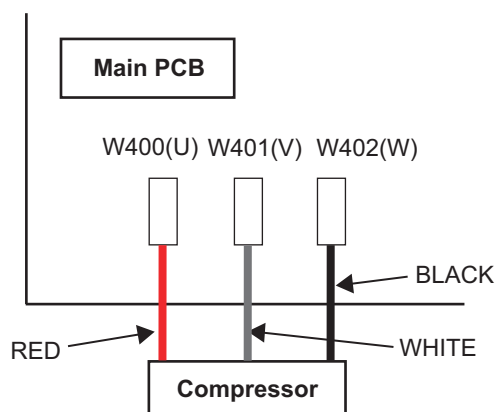
■ Model: AOYG18KBTB

Check point 1. Check connection

- Check terminal connection of compressor (loose or incorrect wiring)



- Check terminal connection of main PCB (loose or incorrect wiring)

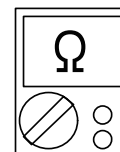
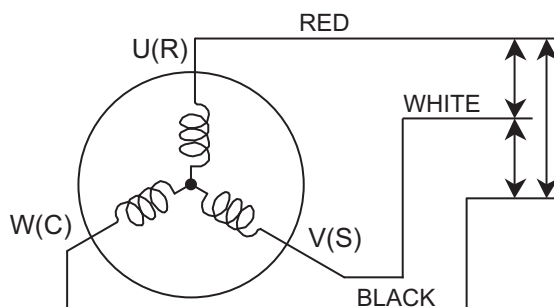


↓

Check point 2. Check winding resistance

Check winding resistance of each terminal.

Resistance value: 1.910 Ω at 20 °C



→ If the resistance value is 0 Ω or infinite, replace compressor.

↓

Check point 3. Replace inverter PCB

If check point 1 to 2 do not improve the symptom, replace main PCB.

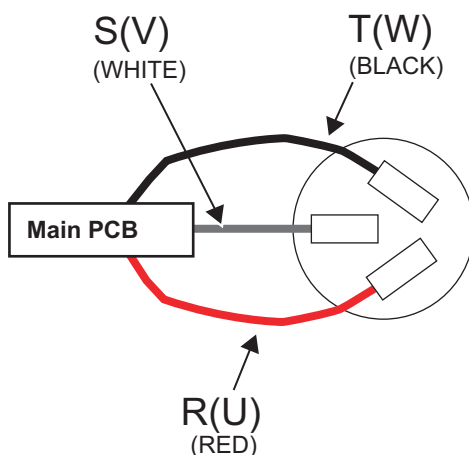
Models: AOYG22KBTB and AOYG24KBTB

TROUBLESHOOTING

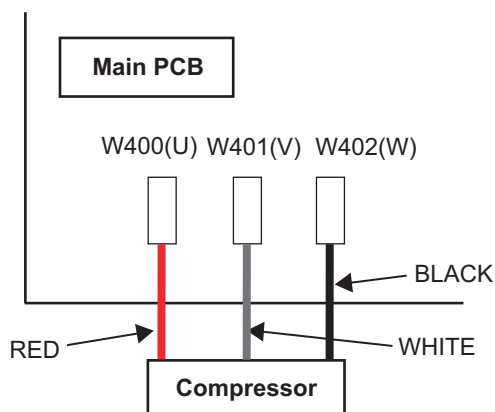
TROUBLESHOOTING

Check point 1. Check connection

- Check terminal connection of compressor (loose or incorrect wiring)



- Check terminal connection of main PCB (loose or incorrect wiring)

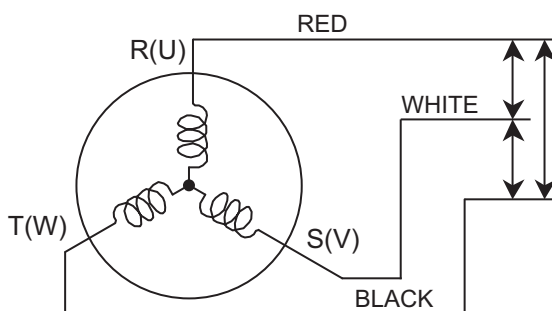
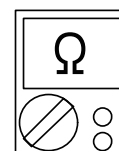


↓

Check point 2. Check winding resistance

Check winding resistance of each terminal.

Resistance value: 1.916 Ω at 20 °C



→ If the resistance value is 0 Ω or infinite, replace compressor.

↓

Check point 3. Replace inverter PCB

If check point 1 to 2 do not improve the symptom, replace main PCB.

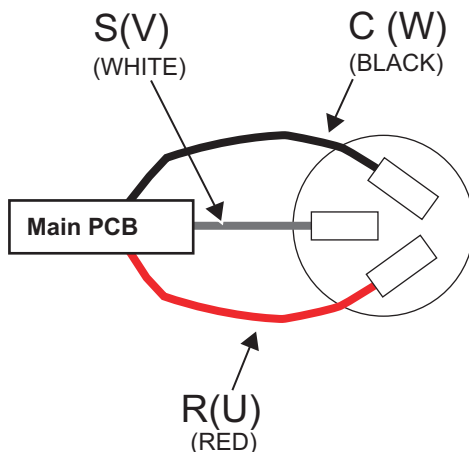
Models: AOYG30KBTB and AOYG36KBTB

TROUBLESHOOTING

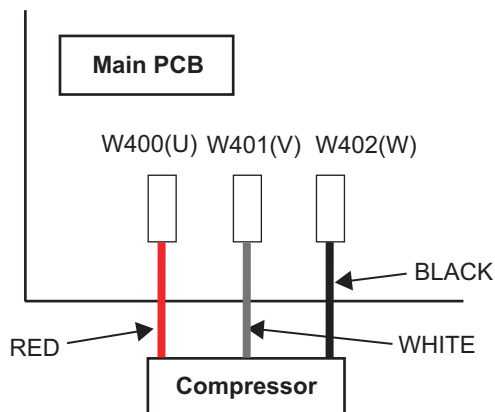
TROUBLESHOOTING

Check point 1. Check connection

- Check terminal connection of compressor (loose or incorrect wiring)



- Check terminal connection of main PCB (loose or incorrect wiring)

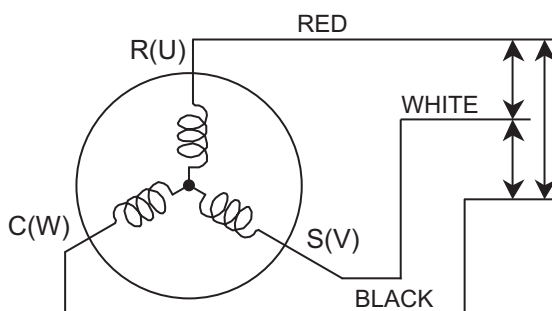
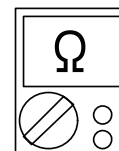


↓

Check point 2. Check winding resistance

Check winding resistance of each terminal.

Resistance value: 1.125 Ω at 25 $^{\circ}\text{C}$



→ If the resistance value is 0 Ω or infinite, replace compressor.

↓

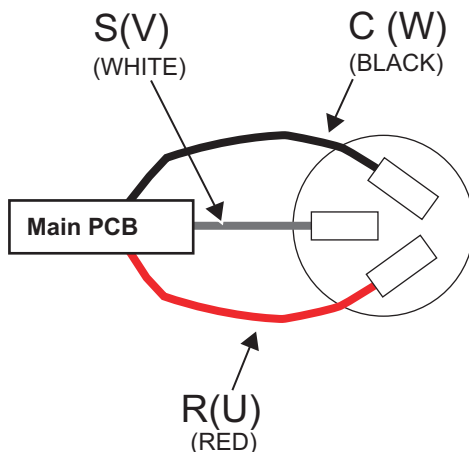
Check point 3. Replace inverter PCB

If check point 1 to 2 do not improve the symptom, replace main PCB.

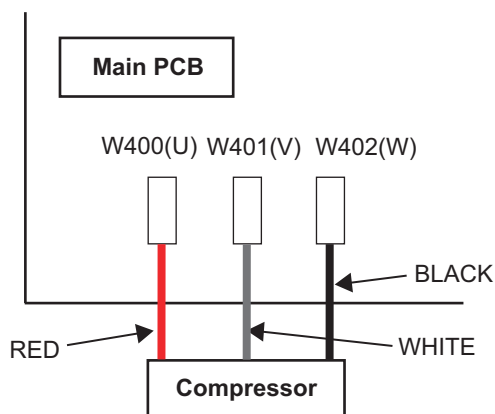
Model: AOYG45KBTB

Check point 1. Check connection

- Check terminal connection of compressor (loose or incorrect wiring)



- Check terminal connection of main PCB (loose or incorrect wiring)

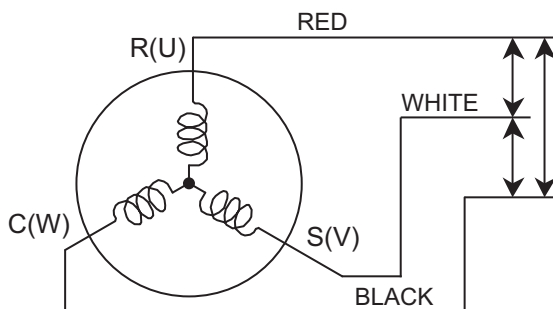
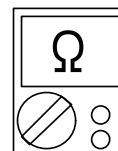


↓

Check point 2. Check winding resistance

Check winding resistance of each terminal.

Resistance value: 0.766Ω at $20 \text{ }^\circ\text{C}$



→ If the resistance value is 0Ω or infinite, replace compressor.

↓

Check point 3. Replace inverter PCB

If check point 1 to 2 do not improve the symptom, replace main PCB.

4-3. Outdoor unit Electronic Expansion Valve (EEV)

■ Models: AOYG18KBTB, AOYG22KBTB, and AOYG24KBTB

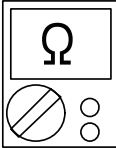
Check point 1. Check connections

Check connection of connector. (Loose connector or open cable)

NOTE: For details of wiring diagram, refer to "Wiring diagrams" in Chapter 2. TECHNICAL DATA AND PARTS LIST on page 02-33.

Check point 2. Check coil of EEV

Remove connector, check each winding resistance of coil.

Read wire	Resistance value
White - Red	$46 \Omega \pm 3.7 \Omega$ at 20°C 
Yellow - Red	
Orange - Red	
Blue - Red	

→ If Resistance value is abnormal, replace EEV.

Check point 3. Check voltage from main PCB

Remove connector and check voltage (DC 12 V)

→ If it does not appear, replace main PCB.



Check point 4. Check noise at start up

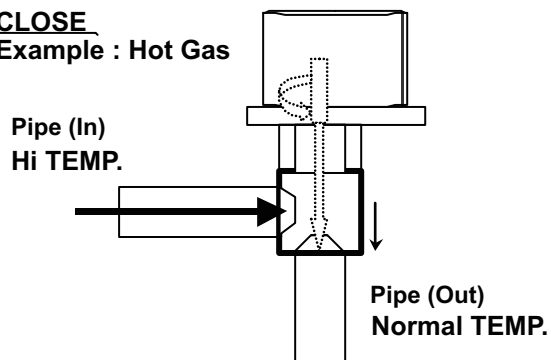
Turn on the power and check the operation noise.

→ If an abnormal noise does not show, replace main PCB.

Check point 5. Check opening and closing operation of valve

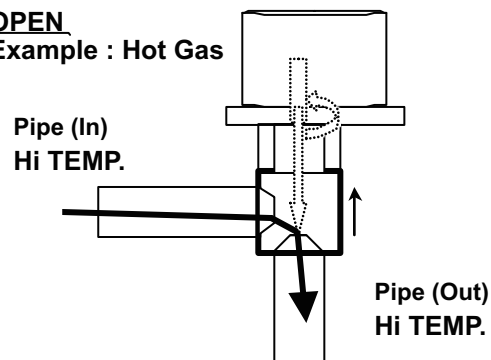
When valve is closed, it has a temp. difference between inlet and outlet

CLOSE
 Example : Hot Gas



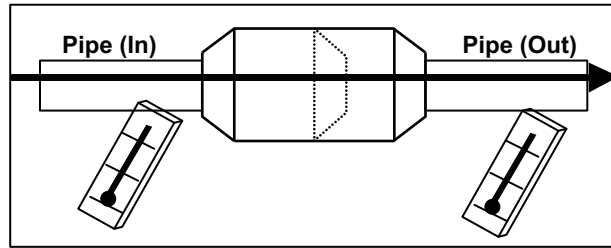
If it is open, it has no temp. difference between inlet and outlet

OPEN
 Example : Hot Gas

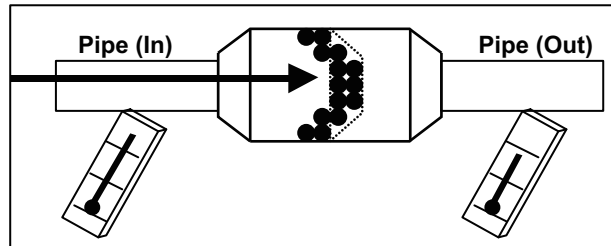


Check point 6. Check strainer

- Strainer normally does not have temperature difference between inlet and outlet as shown below.



- If there is a difference like shown below, there is a possibility of inside clogged. In this case, replace the strainer.



■ Models: AOYG30KBTB, AOYG36KBTB, and AOYG45KBTB

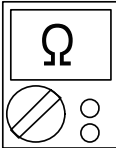
Check point 1. Check connections

Check connection of connector. (Loose connector or open cable)

NOTE: For details of wiring diagram, refer to "Wiring diagrams" in Chapter 2. TECHNICAL DATA AND PARTS LIST on page 02-33.

Check point 2. Check coil of EEV

Remove connector, check each winding resistance of coil.

Read wire	Resistance value
White - Red	$46 \Omega \pm 3.0 \Omega$ at 20°C 
Yellow - Red	
Orange - Red	
Blue - Red	

→ If Resistance value is abnormal, replace EEV.

Check point 3. Check voltage from main PCB

Remove connector and check voltage (DC 12 V)

→ If it does not appear, replace main PCB.



Check point 4. Check noise at start up

Turn on the power and check the operation noise.

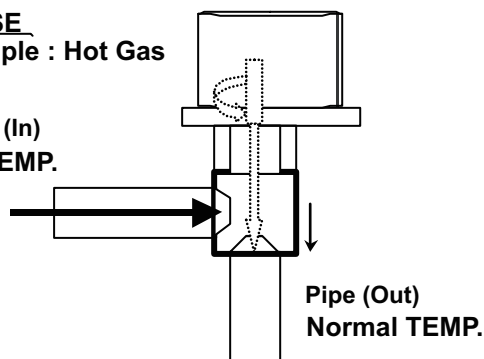
→ If an abnormal noise does not show, replace main PCB.

Check point 5. Check opening and closing operation of valve

When valve is closed, it has a temp. difference between inlet and outlet

CLOSE
Example : Hot Gas

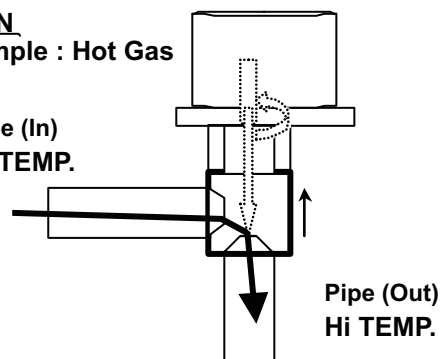
Pipe (In)
Hi TEMP.



If it is open, it has no temp. difference between inlet and outlet

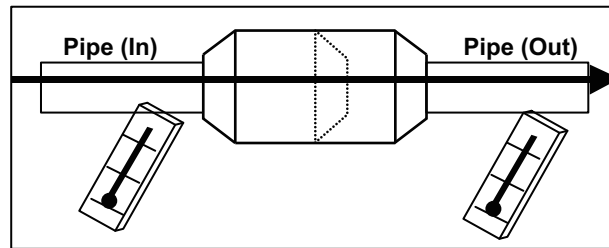
OPEN
Example : Hot Gas

Pipe (In)
Hi TEMP.

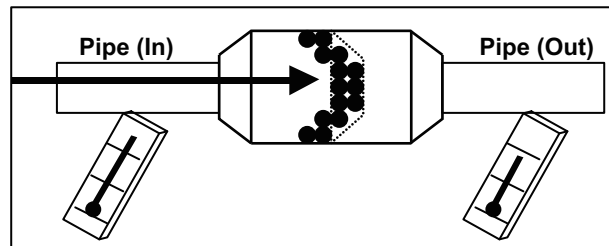


Check point 6. Check strainer

- Strainer normally does not have temperature difference between inlet and outlet as shown below.



- If there is a difference like shown below, there is a possibility of inside clogged. In this case, replace the strainer.



4-4. Indoor unit fan motor

■ Models: ABYG18KRTA, ABYG22KRTA, ABYG24KRTA, ABYG30KRTA, ABYG36KRTA and ABYG45KRTA

Check point 1. Check rotation of fan

Rotate the fan by hand when operation is off.
 (Check if fan is caught, dropped off or locked motor)
 → If fan or bearing is abnormal, replace it.

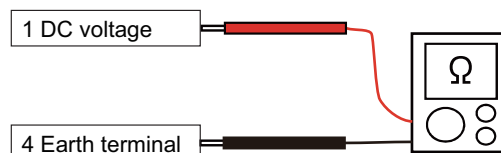
Check point 2. Check resistance of indoor fan motor

Refer to below. Circuit-test "Vm" and "GND" terminal

NOTE: Vm: DC voltage, GND: Earth terminal

→ If they are short-circuited (below 300 k Ω), replace indoor fan motor and controller PCB.

Pin number (wire color)	Terminal function (symbol)
1 (Red)	DC voltage (Vm)
2	No function
3	No function
4 (Black)	Earth terminal (GND)
5 (White)	Control voltage (Vcc)
6 (Yellow)	Speed command (Vsp)
7 (Blue)	Feed back (FG)



4-5. Outdoor unit fan motor

■ Models: AOYG18KBTB, AOYG22KBTB, AOYG24KBTB, AOYG30KBTB, AOYG36KBTB, and AOYG45KBTB

Check point 1. Check rotation of fan

Rotate the fan by hand when operation is off.
 (Check if fan is caught, dropped off or locked motor)
 → If fan or bearing is abnormal, replace it.

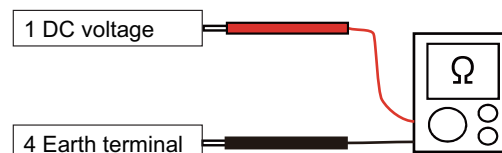
Check point 2. Check resistance of outdoor fan motor

Refer to below. Circuit-test "Vm" and "GND" terminal

NOTE: Vm: DC voltage, GND: Earth terminal

→ If they are short-circuited (below 300 kΩ), replace outdoor fan motor and controller PCB.

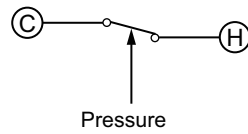
Pin number (wire color)	Terminal function (symbol)
1 (Red)	DC voltage (Vm)
2	No function
3	No function
4 (Black)	Earth terminal (GND)
5 (White)	Control voltage (Vcc)
6 (Yellow)	Speed command (Vsp)
7 (Brown)	Feed back (FG)



4-6. Pressure switch

■ Models: AOYG30KBTB, AOYG36KBTB, and AOYG45KBTB

- Type of contact



- Characteristics of pressure switch

Pressure switch 1	
Contact: Short → Open	4.2 — 4.05 MPa
Contact: Open → Short	3.2 ± 0.15 MPa

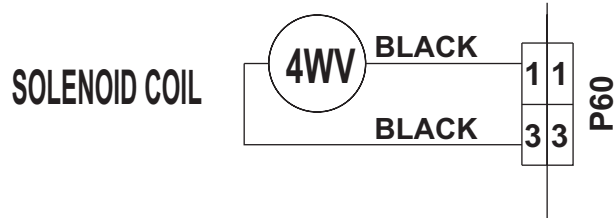
30/36/45 model: P770

4-7. 4-way valve coil (solenoid coil)/4-way valve

■ Models: ABYG18KRTA, ABYG22KRTA, ABYG24KRTA, ABYG30KRTA, ABYG36KRTA and ABYG45KRTA

Check point 1. Check connection

- Check the connection of connector P60.

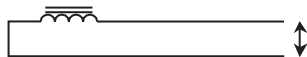


↓

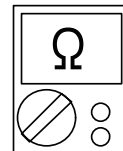
Check Point 2 : Check solenoid coil

Remove P60 from PCB and check the resistance value of coil.

Resistance Value $\approx 1.97 \text{ k}\Omega$



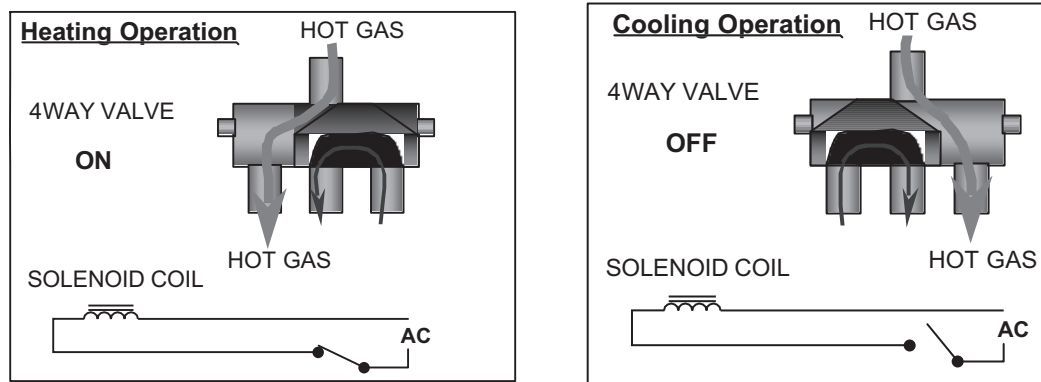
→ If it is Open or abnormal resistance value, replace solenoid coil.



↓

Check Point 3: Check operation of 4 way valve

Check each piping temperature, and confirm the location of the valve by the temperature difference



→ If the valve location is not proper, replace 4 way valve.

↓

Check Point 4: Replace main PCB

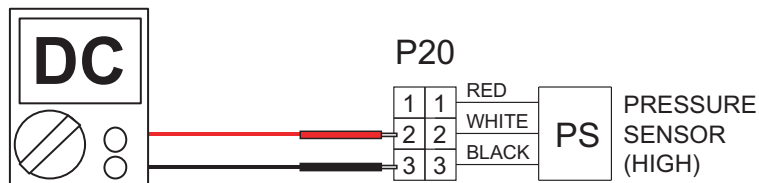
If none of Checks 1 to 3 apply, replace the main PCB.

4-8. Discharge pressure sensor

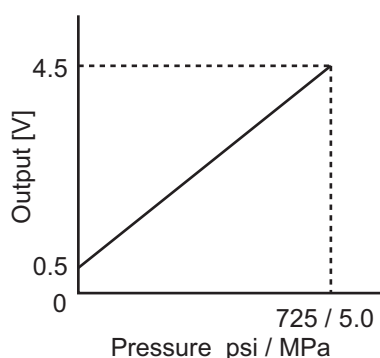
■ Models: AOYG36KBTB and AOYG45KBTB

Check point 1. Check voltage from main PCB

With the connector connected to the PCB, measure the voltage between P20:2-3 of the Main PCB.



Characteristics of pressure sensor



psi	0.0	14.5	29.0	43.5	58.0	72.5	101.5	116.0	130.5	145.0
MPa	0.0	0.10	0.20	0.30	0.40	0.50	0.60	0.80	0.90	1.00
Output (V)	0.50	0.58	0.66	0.74	0.82	0.90	1.06	1.14	1.22	1.30

psi	174.0	203.0	232.0	261.0	290.0	319.0	343.0	377.0	406.0	435.0
MPa	1.20	1.40	1.60	1.80	2.00	2.20	2.40	2.60	2.80	3.00
Output (V)	1.46	1.62	1.78	1.94	2.10	2.26	2.42	2.58	2.74	2.90

psi	464.0	493.0	522.0	551.0	580.0	609.0	638.0	667.0	696.0	725.0
MPa	3.20	3.40	3.60	3.80	4.00	4.20	4.40	4.60	4.80	5.00
Output (V)	3.06	3.22	3.38	3.54	3.70	3.86	4.02	4.18	4.34	4.50

TROUBLESHOOTING

TROUBLESHOOTING

5. Thermistor resistance values

5-1. Indoor unit

■ Room temperature thermistor

Temperature (°C)	Resistance (kΩ)	Voltage (V)
-10.0	58.25	0.73
-5.0	44.03	0.93
0.0	33.62	1.15
5.0	25.92	1.39
10.0	20.17	1.66
15.0	15.84	1.94
20.0	12.54	2.22
25.0	10.00	2.50
30.0	8.04	2.77
35.0	6.51	3.03
40.0	5.30	3.27
45.0	4.35	3.49

■ Heat exchanger temperature thermistor

Temperature (°C)	Resistance (kΩ)	Voltage (V)
-30.0	1,131.91	0.21
-25.0	804.52	0.29
-20.0	579.59	0.40
-15.0	422.89	0.53
-10.0	312.27	0.69
-5.0	233.21	0.88
0.0	176.03	1.10
5.0	134.23	1.36
10.0	103.34	1.63
15.0	80.28	1.92
20.0	62.91	2.21
25.0	49.70	2.51
30.0	39.57	2.79
35.0	31.74	3.06
40.0	25.64	3.30
45.0	20.85	3.53
50.0	17.06	3.73
55.0	14.05	3.90
60.0	11.64	4.02
65.0	9.69	4.19

5-2. Outdoor unit

■ Heatsink thermistor

Temperature (°C)	Resistance (kΩ)	Voltage (V)
-30.0	94.26	0.08
-25.0	67.95	0.11
-20.0	49.62	0.15
-15.0	36.68	0.20
-10.0	27.42	0.26
-5.0	20.73	0.34
0.0	15.83	0.43
5.0	12.21	0.55
10.0	9.50	0.68
15.0	7.46	0.84
20.0	5.90	1.01
25.0	4.71	1.21
30.0	3.78	1.42
35.0	3.06	1.64
40.0	2.50	1.88
45.0	2.05	2.11
50.0	1.69	2.35
55.0	1.40	2.58
60.0	1.17	2.81
65.0	0.99	3.02
70.0	0.83	3.22
75.0	0.70	3.41
80.0	0.60	3.58

■ Discharge temperature thermistor

Temperature (°C)	Resistance (kΩ)	Voltage (V)
-30.0	1,013.11	0.06
-25.0	729.09	0.09
-20.0	531.56	0.12
-15.0	392.31	0.16
-10.0	292.91	0.21
-5.0	221.09	0.28
0.0	168.60	0.36
5.0	129.84	0.46
10.0	100.91	0.57
15.0	79.12	0.71
20.0	62.55	0.86
25.0	49.84	1.03
30.0	40.01	1.23
35.0	32.35	1.43
40.0	26.34	1.65
45.0	21.58	1.88
50.0	17.79	2.11
55.0	14.75	2.34
60.0	12.30	2.57
65.0	10.32	2.79
70.0	8.70	3.00
75.0	7.36	3.19
80.0	6.27	3.37
85.0	5.36	3.54
90.0	4.60	3.69
95.0	3.96	3.83
100.0	3.43	3.96
105.0	2.98	4.07
110.0	2.60	4.17
115.0	2.27	4.26
120.0	2.00	4.33

■ Heat exchanger temperature thermistor

Temperature (°C)	Resistance (kΩ)	Voltage (V)
-30.0	95.58	0.24
-25.0	68.90	0.32
-20.0	50.31	0.43
-15.0	37.19	0.57
-10.0	27.81	0.73
-5.0	21.02	0.92
0.0	16.05	1.14
5.0	12.38	1.39
10.0	9.63	1.65
15.0	7.56	1.93
20.0	5.98	2.21
25.0	4.77	2.49
30.0	3.84	2.77
35.0	3.11	3.02
40.0	2.53	3.26
45.0	2.08	3.48
50.0	1.71	3.68
55.0	1.42	3.85
60.0	1.19	4.00
65.0	1.00	4.13
70.0	0.84	4.25
75.0	0.71	4.35
80.0	0.61	4.43

■ Outdoor temperature thermistor

Temperature (°C)	Resistance (kΩ)	Voltage (V)
-30.0	224.33	0.73
-25.0	159.71	0.97
-20.0	115.24	1.25
-15.0	84.21	1.56
-10.0	62.28	1.90
-5.0	46.58	2.26
0.0	35.21	2.61
5.0	26.88	2.94
10.0	20.72	3.25
15.0	16.12	3.52
20.0	12.64	3.76
25.0	10.00	3.97
30.0	7.97	4.14
35.0	6.40	4.28
40.0	5.18	4.41
45.0	4.21	4.51
50.0	3.45	4.59
55.0	2.85	4.65

4. CONTROL AND FUNCTIONS

CONTENTS

4. CONTROL AND FUNCTIONS

1. Compressor frequency control	04-1
1-1. Cooling operation	04-1
1-2. Heating operation	04-4
1-3. Dry operation	04-5
1-4. Compressor frequency at normal start-up	04-6
1-5. Compressor frequency limitation by outdoor temperature	04-9
2. Auto changeover operation	04-13
3. Fan control	04-15
3-1. Indoor fan control.....	04-15
3-2. Outdoor fan control	04-18
4. Louver control	04-23
4-1. Vertical airflow direction louver control	04-23
4-2. Swing operation.....	04-23
5. Timer operation control	04-24
5-1. Wireless remote control	04-24
5-2. Wired remote control	04-26
6. Defrost operation control	04-29
6-1. Defrost operation in heating operation stopped	04-30
7. Various control	04-31
7-1. Auto restart.....	04-31
7-2. 10 °C HEAT operation	04-31
7-3. ECONOMY operation	04-31
7-4. POWERFUL operation	04-31
7-5. Fresh air control.....	04-32
7-6. Compressor preheating	04-32
7-7. External electrical heater control	04-33
7-8. Electronic expansion valve control	04-33
7-9. Drain pump control	04-34
7-10. Prevention to restart for 3 minutes (3 minutes st)	04-36
7-11. 4-way valve control.....	04-36
7-12. Human sensor for energy saving.....	04-36
7-13. Peak cut operation(for 30/36/45 model)	04-37
8. Various protections	04-38
8-1. Discharge gas temperature over-rise prevention control	04-38
8-2. Anti-freezing control (cooling and dry mode)	04-38
8-3. Current release control	04-39
8-4. Indoor unit fan motor over temperature protection.....	04-40
8-5. Compressor temperature protection	04-41
8-6. High pressure protection	04-41
8-7. Low outdoor temperature protection.....	04-41

CONTENTS (continued)

8-8. High temperature and high pressure release control	04-42
---	-------

1. Compressor frequency control

1-1. Cooling operation

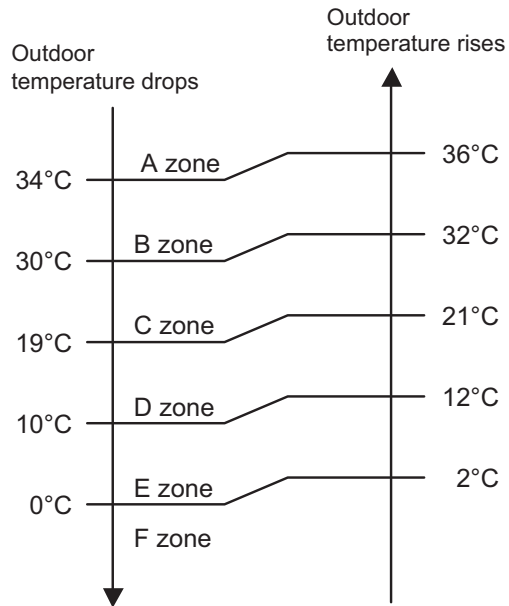
A sensor (room temperature thermistor) built in the indoor unit body will usually perceive difference or variation between a set temperature and present room temperature, and controls the operation frequency of the compressor.

- If the room temperature is 6.0 °C higher than a set temperature, the compressor operation frequency will attain to maximum performance.
- If the room temperature is 1.0 °C lower than a set temperature, the compressor will be stopped.
- When the room temperature is within the range of +6.0°C to -1.0°C of the setting temperature, the compressor frequency is controlled within the range shown in the table below. However, the maximum frequency is limited in the range shown in the figure below based on the indoor fan mode and the outdoor temperature.

- **Compressor frequency range**

Model name	Minimum frequency	Maximum frequency
ABYG18KRTA	8 rps	104 rps
ABYG22KRTA ABYG24KRTA	10 rps	106 rps
ABYG30KRTA ABYG36KRTA	15 rps	98 rps
ABYG45KRTA	17 rps	95 rps

• Limit of maximum speed based on outdoor temperature



Unit: rps

CONTROL AND FUNCTIONS

CONTROL AND FUNCTIONS

Model name	Outdoor temperature zone	Indoor unit fan mode			
		HIGH	MED	LOW	QUIET
ABYG18KRTA	A zone	104	60	49	41
	B zone	104	60	49	41
	C zone	73	52	49	41
	D zone	49	45	35	31
	E zone	49	45	35	31
	F zone	49	45	35	31
ABYG22KRTA	A zone	106	62	51	42
	B zone	106	62	51	42
	C zone	75	54	46	42
	D zone	51	42	36	32
	E zone	51	42	36	32
	F zone	51	42	36	32
ABYG24KRTA	A zone	106	79	68	46
	B zone	106	79	68	46
	C zone	85	68	56	46
	D zone	74	56	46	41
	E zone	74	56	46	41
	F zone	74	56	46	41
ABYG30KRTA	A zone	98	64	49	40
	B zone	98	64	49	40
	C zone	77	54	44	36
	D zone	54	40	34	30
	E zone	54	40	34	30
	F zone	54	40	34	30
ABYG36KRTA	A zone	98	79	64	44
	B zone	98	79	64	44
	C zone	85	64	54	44
	D zone		64	54	4436
	E zone		64	54	4436
	F zone		64	54	4436
ABYG45KRTA	A zone	95	66	51	33
	B zone	95	66	51	33
	C zone	80	51	41	33
	D zone		56	41	3527
	E zone		56	41	3527
	F zone		56	41	3527

1-2. Heating operation

A sensor (room temperature thermistor) built in indoor unit body will usually perceive difference or variation between setting temperature and present room temperature, and controls operation frequency of compressor.

- If the room temperature is 6.0 °C lower than a set temperature, the compressor operation frequency will attain to maximum performance.
- If the room temperature is 1.0 °C higher than a set temperature, the compressor will be stopped.
- When the room temperature is within the range of +1.0°C to -6.0°C of the setting temperature, the compressor frequency is controlled within the range shown below.

- **Compressor frequency range**

Model name	Minimum frequency	Maximum frequency
ABYG18KRTA	8	120
ABYG22KRTA ABYG24KRTA	10	130
ABYG30KRTA ABYG36KRTA	15	120
ABYG45KRTA	17	120

1-3. Dry operation

The compressor rotation frequency shall change according to the temperature, set temperature, and room temperature variation which the room temperature sensor of the indoor unit has detected as shown in the table below.

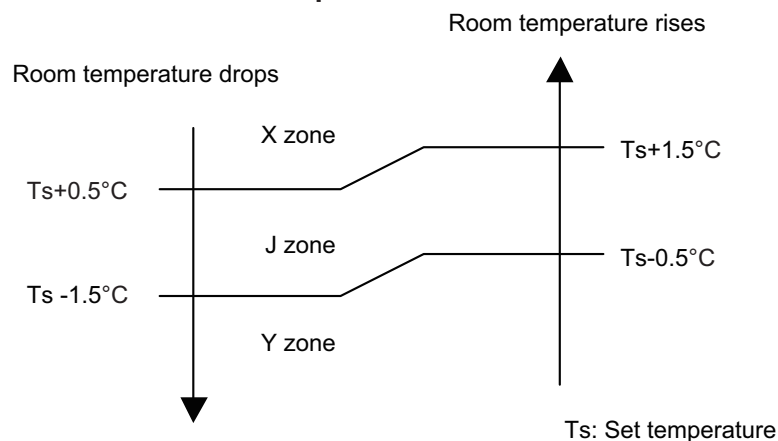
Zone is defined by set temperature and room temperature.

- Compressor frequency range

Unit: rps

Model name	Outdoor temperature zone	Operating frequency
ABYG18KRTA	X zone	41
	J zone	41
	Y zone	0
ABYG22KRTA	X zone	42
	J zone	42
	Y zone	0
ABYG24KRTA	X zone	46
	J zone	46
	Y zone	0
ABYG30KRTA	X zone	40
	J zone	40
	Y zone	0
ABYG36KRTA	X zone	44
	J zone	44
	Y zone	0
ABYG45KRTA	X zone	33
	J zone	33
	Y zone	0

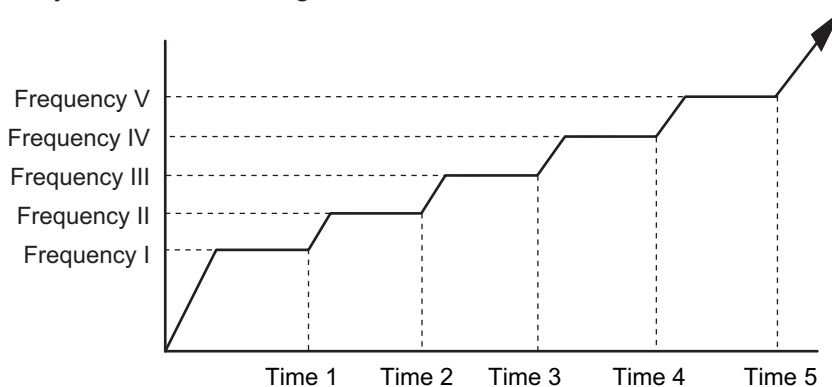
- Compressor control based on room temperature



1-4. Compressor frequency at normal start-up

Model: AOYG18KBTB

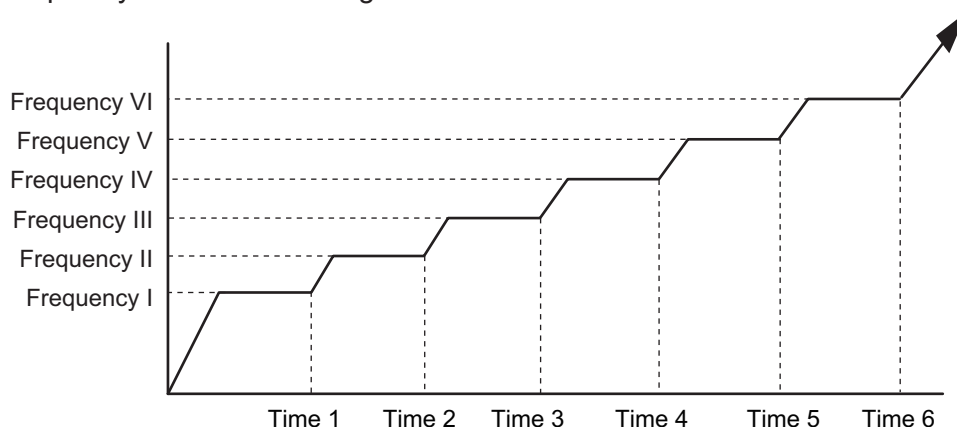
Compressor frequency soon after starting is controlled as below.



Frequency (rps)	I	II	III	IV	V
	40	56	77	90	99
Time (sec)	1	2	3	4	5
	60	240	280	360	400

Models: AOYG22KBTB and AOYG24KBTB

Compressor frequency soon after starting is controlled as below.



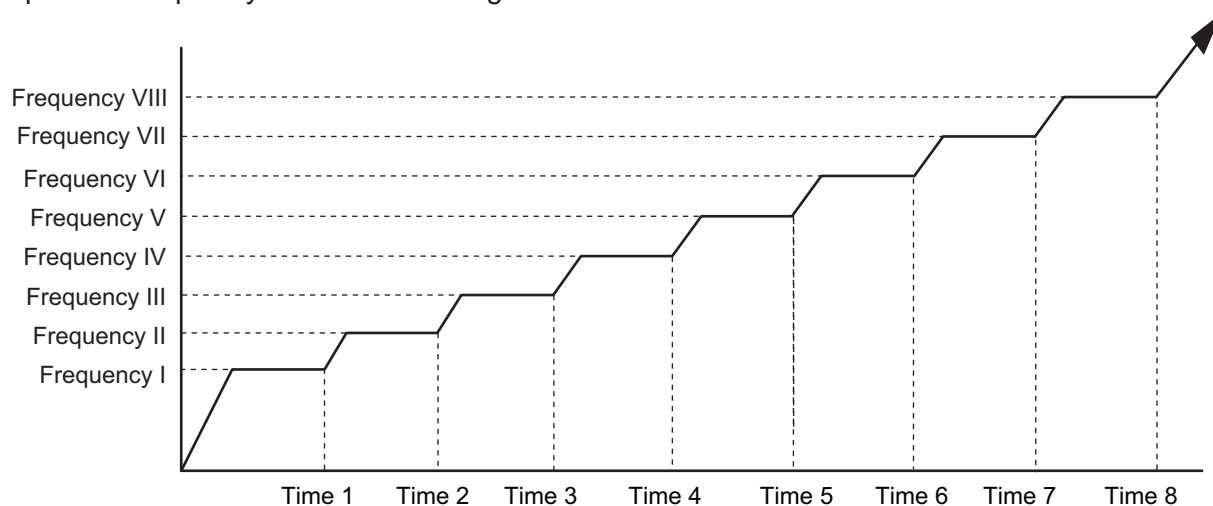
Frequency (rps)	I	II	III	IV	V	VI
	35	52	64	71	89	97
Time (sec)	1	2	3	4	5	6
	60	140	170	200	350	410

CONTROL AND FUNCTIONS

CONTROL AND FUNCTIONS

■ Models: AOYG30KBTB and AOYG36KBTB

Compressor frequency soon after starting is controlled as below.



- Normal operation

Frequency (rps)	I 25	II 42	III 53	IV 61	V 65	VI 75	VII 85	VIII 92
Time (sec)	1 90	2 150	3 270	4 330	5 390	6 450	7 570	8 630

- Special operation

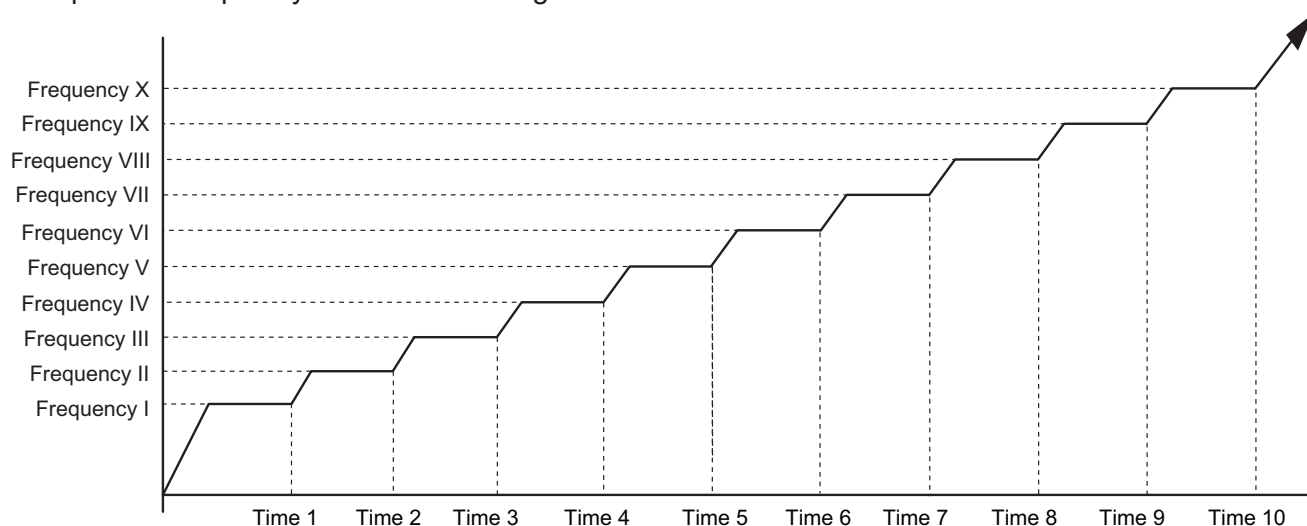
Frequency (rps)	I 25	II 42	III 53	IV 61	V 65	VI 75	VII 85	VIII 92
Time (sec)	1 225	2 305	3 605	4 665	5 725	6 785	7 855	8 1,000

NOTES:

- Normal operation:
 - Cooling and dry mode
 - Below 3 hours from the compressor stop and the compressor thermistor $\geq 15\text{ }^{\circ}\text{C}$
 - After defrost operation
 - Other than when the compressor starts for the first time since the breaker turns on
- Special operation:
 - Other than the normal operation condition
 - When the compressor starts for the first time since the breaker turns on

■ Model: AOYG45KBTB

Compressor frequency soon after starting is controlled as below.



- Normal operation

Frequency (rps)	I	II	III	IV	V	VI	VII	VIII	IX	X
	41	46	51	57	60	72	81	91	100	110
Time (sec)	1	2	3	4	5	6	7	8	9	10
	60	120	180	240	360	420	480	540	600	660

- Special operation

Frequency (rps)	I	II	III	IV	V	VI	VII	VIII	IX	X
	41	46	51	57	60	72	81	91	100	110
Time (sec)	1	2	3	4	5	6	7	8	9	10
	120	185	245	305	605	665	725	785	845	1,000

NOTES:

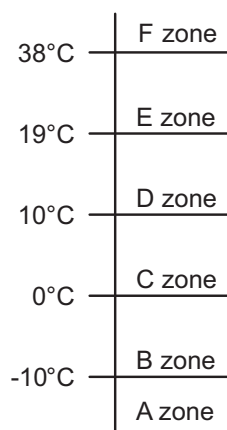
- Normal operation:
 - Cooling and dry mode
 - Below 3 hours from the compressor stop and the compressor thermistor $\geq 15\text{ }^{\circ}\text{C}$
 - After defrost operation
 - Other than when the compressor starts for the first time since the breaker turns on
- Special operation:
 - Other than the normal operation condition
 - When the compressor starts for the first time since the breaker turns on

1-5. Compressor frequency limitation by outdoor temperature

■ Models: AOYG18KBTB, AOYG22KBTB, and AOYG24KBTB

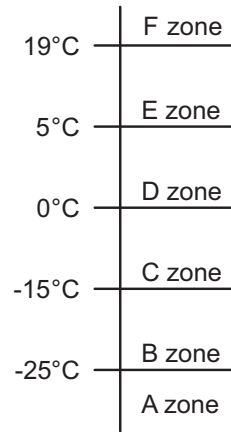
The minimum compressor frequency is limited by outdoor temperature as below.

- Cooling/Dry mode



Model name	Outdoor temperature zone	Limitation of compressor frequency
AOYG18KBTB	A zone	30 rps
	B zone	30 rps
	C zone	22 rps
	D zone	16 rps
	E zone	1 rps
	F zone	25 rps
AOYG22KBTB	A zone	33 rps
	B zone	33 rps
	C zone	31 rps
	D zone	19 rps
	E zone	1 rps
	F zone	20 rps
AOYG24KBTB	A zone	31 rps
	B zone	31 rps
	C zone	29 rps
	D zone	20 rps
	E zone	1 rps
	F zone	29 rps

- Heating mode

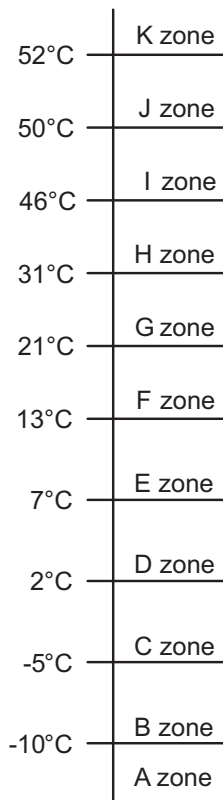


Model name	Outdoor temperature zone	Limitation of compressor frequency
AOYG18KBTB	A zone	25 rps
	B zone	25 rps
	C zone	17 rps
	D zone	10 rps
	E zone	1 rps
	F zone	1 rps
AOYG22KBTB	A zone	31 rps
	B zone	31 rps
	C zone	21 rps
	D zone	13 rps
	E zone	1 rps
	F zone	1 rps
AOYG24KBTB	A zone	31 rps
	B zone	31 rps
	C zone	24 rps
	D zone	20 rps
	E zone	20 rps
	F zone	1 rps

■ Models: AOYG30KBTB, AOYG36KBTB, and AOYG45KBTB

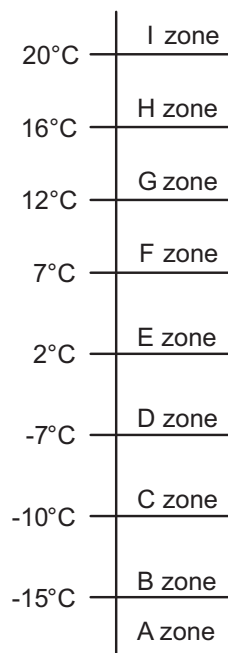
The minimum compressor frequency is limited by outdoor temperature as below.

- Cooling/Dry mode



Model name	Outdoor temperature zone	Limitation of compressor frequency
AOYG30KBTB AOYG36KBTB	A zone	55 rps
	B zone	52 rps
	C zone	47 rps
	D zone	39 rps
	E zone	33 rps
	F zone	25 rps
	G zone	18 rps
	H zone	20 rps
	I zone	20 rps
	J zone	21 rps
	K zone	24 rps
AOYG45KBTB	A zone	50 rps
	B zone	47 rps
	C zone	40 rps
	D zone	30 rps
	E zone	22 rps
	F zone	20 rps
	G zone	16 rps
	H zone	16 rps
	I zone	17 rps
	J zone	23 rps
	K zone	28 rps

- Heating mode



Model name	Outdoor temperature zone	Limitation of compressor frequency
AOYG30KBTB AOYG36KBTB	A zone	58 rps
	B zone	52 rps
	C zone	43 rps
	D zone	38 rps
	E zone	28 rps
	F zone	23 rps
	G zone	20 rps
	H zone	17 rps
	I zone	17 rps
AOYG45KBTB	A zone	46 rps
	B zone	42 rps
	C zone	35 rps
	D zone	32 rps
	E zone	23 rps
	F zone	20 rps
	G zone	17 rps
	H zone	13 rps
	I zone	16 rps

2. Auto changeover operation

When the air conditioner is set to AUTO mode by remote controller, operation starts in the optimum mode from among heating, cooling, dry and monitoring modes. During operation, the optimum mode is automatically switched in accordance with temperature changes. The temperature can be set between 18°C and 30°C in 1.0°C steps.

- When operation starts, indoor fan and outdoor fan are operated for around 1 minute. Room temperature and outdoor temperature are sensed, and the operation mode is selected in accordance with the table below.

Room temperature	Operation mode
$Tr > Ts + 2^{\circ}\text{C}$	Cooling
$Ts + 2^{\circ}\text{C} \geq Tr \geq Ts - 2^{\circ}\text{C}$	Middle zone
$Tr < Ts - 2^{\circ}\text{C}$	Heating

Tr: Room temperature

Ts: Setting temperature

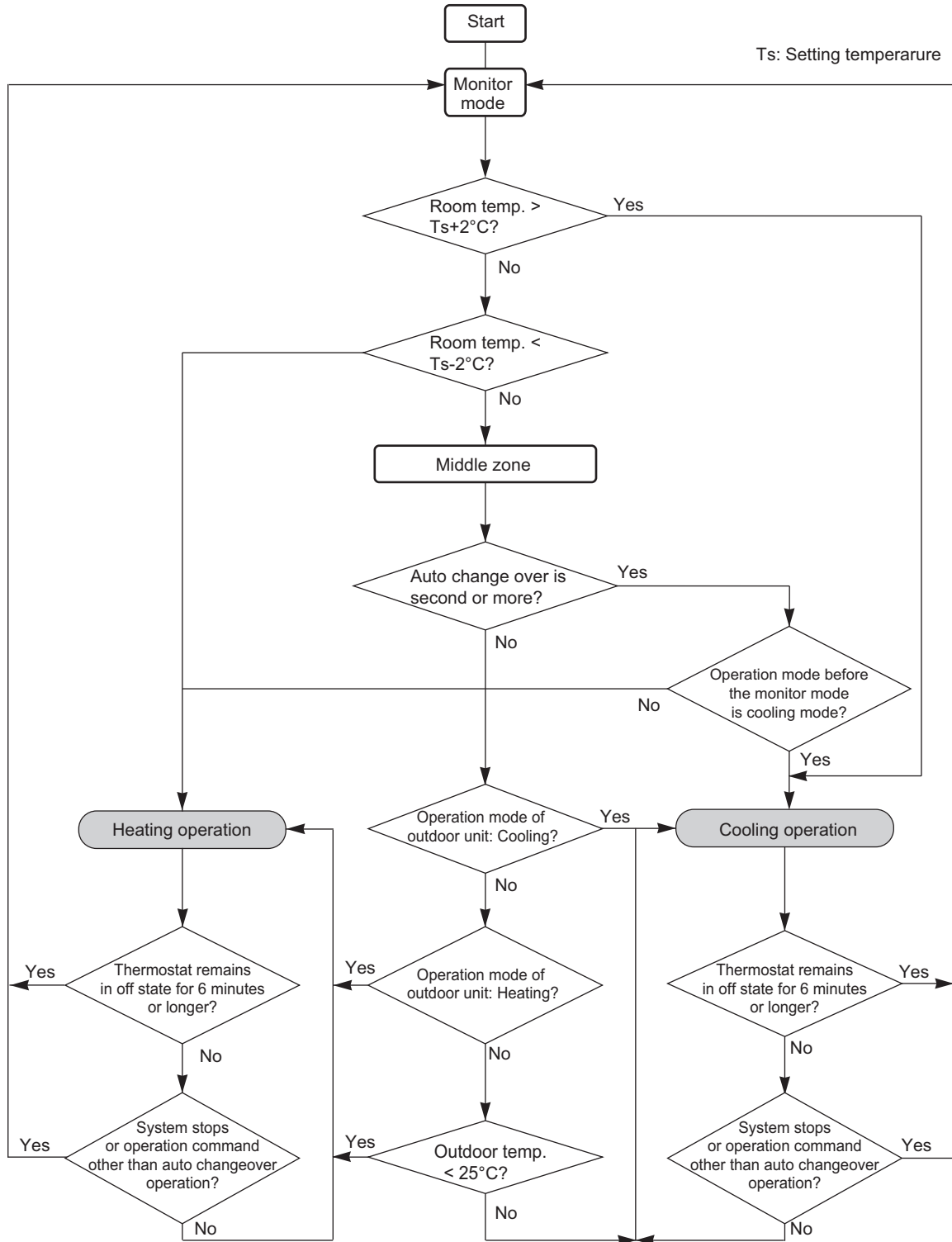
NOTE: When the operation mode is middle zone, indoor unit operation mode is selected as below.

- Same operation mode is selected as outdoor unit.
If outdoor unit is operating in cooling and heating mode, indoor unit will be operated by the same operation mode.
- Selected by outdoor temperature.
If outdoor unit is operating in other than cooling and heating mode, indoor unit will be operated according to the outdoor temperature as below.

Outdoor temp.	Operation mode
25°C or more	Cooling
Less than 25°C	Heating

- When the compressor was stopped for 6 consecutive minutes by temperature control function after the cooling or heating mode was selected as above, operation is switched to monitoring mode and the operation mode selection is done again.
- When the middle zone is selected on the predetermining of the operation mode, the operation mode before the changing to the monitoring mode is selected.

Operation flow chart



CONTROL AND FUNCTIONS

CONTROL AND FUNCTIONS

3. Fan control

Tr: Room temperature

Ts: Setting temperature

3-1. Indoor fan control

■ Fan speed

Indoor fan speed is defined as below.

Operation mode	Fan mode	Speed (rpm)					
		18	22	24	30	36	45
Heating	HIGH	950	1,020	970	1,090	1,090	1,120
	MED+	900	940	890	1,000	1,020	1,030
	MED	880	880	810	900	920	940
	LOW-	800	800	720	800	830	870
	QUIET	750	750	620	680	700	740
	Cool air prevention	500	500	500	500	500	500
	S-LOW	300	300	300	300	300	300
Cooling/Fan	HIGH	950	1,020	970	1,090	1,120	1,140
	MED	880	880	810	900	920	940
	LOW	800	800	720	800	830	870
	QUIET	750	750	620	680	700	740
	Soft quiet	500* ¹	500* ¹	500* ¹	500* ¹	500* ¹	500* ¹
	S-LOW	300* ²	300* ²	300* ²	300* ²	300* ²	300* ²
Dry		X zone: 750 J zone: 750	X zone: 750 J zone: 750	X zone: 620 J zone: 620	X zone: 680 J zone: 680	X zone: 700 J zone: 700	X zone: 740 J zone: 740

*1: Fan mode only

*2: Cooling mode only

■ Fan operation

Airflow can be switched in 5 steps such as AUTO, QUIET, LOW, MED, HIGH while indoor unit fan only runs.

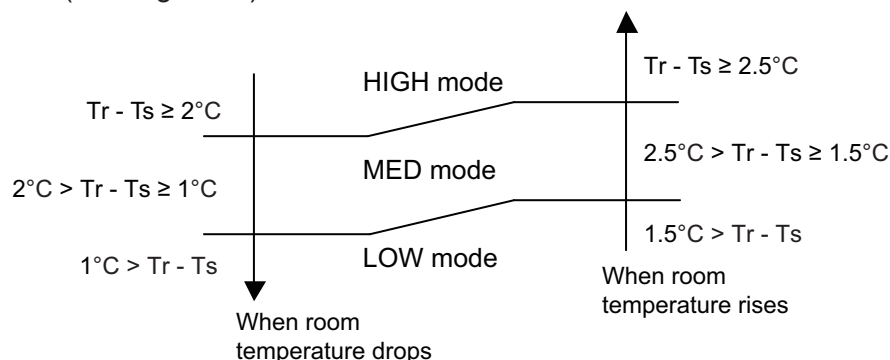
When fan mode is set at AUTO, it operates on MED fan speed.

■ Cooling operation

Switch the airflow AUTO, and indoor fan motor will run according to room temperature, as below.

On the other hand, if switched in HIGH—QUIET, indoor motor will run at a constant airflow of COOL operation modes QUIET, LOW, MED, HIGH as shown in “Fan speed” above.

Airflow change over (Cooling: Auto)



■ Dry operation

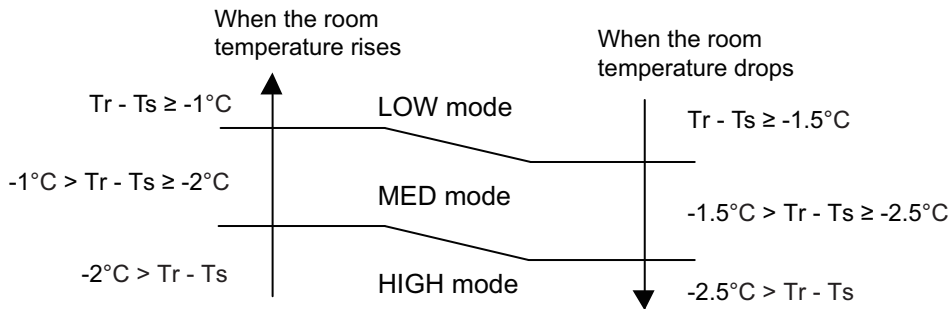
During dry operation, fan speed setting can not be changed as shown in “Fan speed” above.

■ Heating operation

Switch the airflow AUTO, and the indoor fan motor will run according to a room temperature, as below.

On the other hand, if switched in HIGH—QUIET, the indoor motor will run at a constant airflow of HEAT operation modes QUIET, LOW, MED, HIGH as shown in “Fan speed” above.

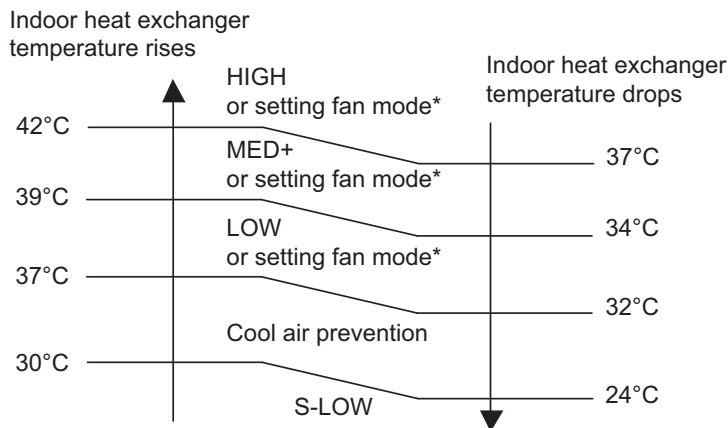
Airflow change over (Heating: Auto)



■ Cool air prevention control (heating mode)

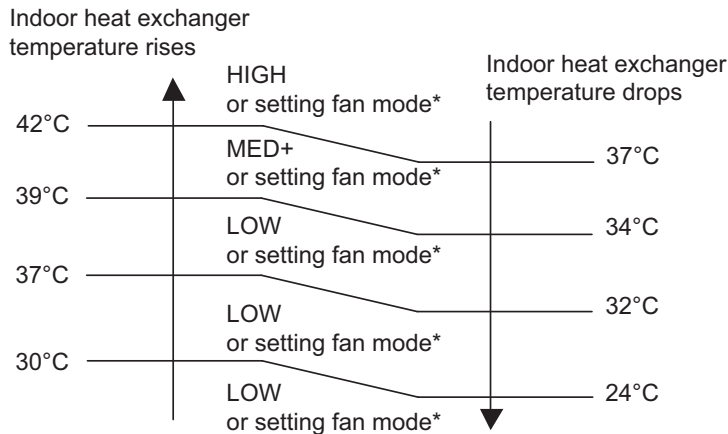
The maximum value of the indoor fan speed is set as shown below, based on the detected temperature by the indoor heat exchanger sensor on heating mode.

• Normal operation



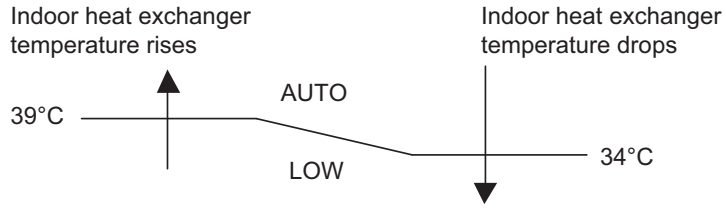
*: Lower speed is selected.

13 minutes later:



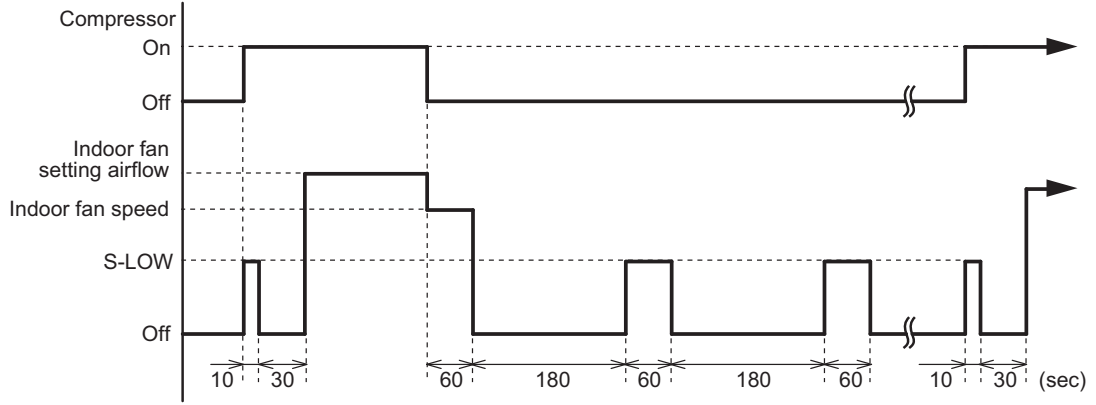
*: Lower speed is selected.

• 10 °C HEAT operation



■ Moisture return prevention control (cooling and dry mode)

Switch the airflow AUTO at cooling mode, and the indoor fan motor will run as shown below.



CONTROL AND FUNCTIONS

CONTROL AND FUNCTIONS

3-2. Outdoor fan control

■ Outdoor fan motor

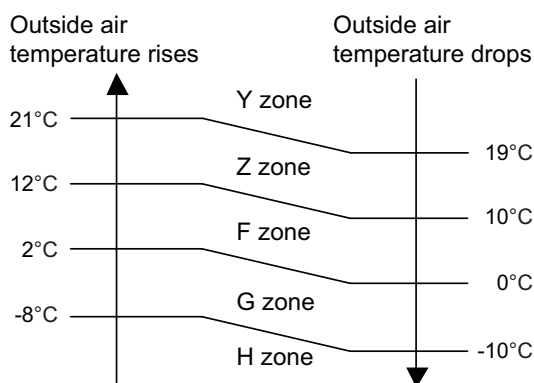
This outdoor unit has a DC fan motor. (Control method is different between AC and DC motors.)

■ Fan speed

● Model: AOYG18KBTB

Fan speed is defined by outdoor temperature and compressor frequency.

• Outside air temperature zone selection



Unit: rpm

Fan step	Cooling	Heating	Dry	Cooling or dry at low outdoor temp.			
	Y zone		Y zone	Z zone	F zone	G zone	H zone
S-HIGH2	—	1,100	—	—	—	—	—
S-HIGH1	1,050	1,100	—	—	—	—	—
HIGH	1,050	1,100	—	—	—	—	—
10	—	1,100	—	—	—	—	—
9	1,050	1,100	1,050	850	320	270	270
8	1,050	750	1,050	850	320	270	270
7	870	710	870	770	320	270	270
6	870	570	870	630	270	230	230
5	770	510	770	440	270	230	200
4	630	470	630	320	270	230	200
3	510	420	510	320	270	230	200
2	400	420	400	320	270	230	200
1	400	420	400	320	270	230	200

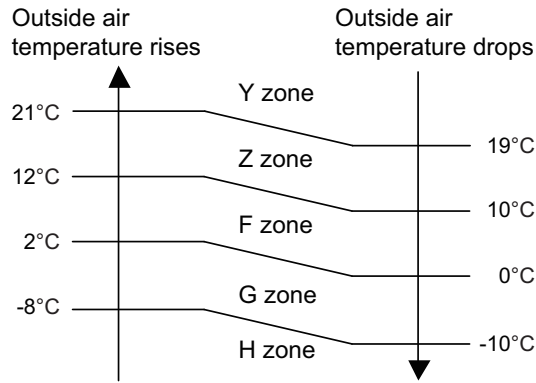
NOTE: After defrost control on the heating mode, the fan speed is kept higher regardless of the compressor frequency.

Fan speed after defrost control: 1,100 rpm

● **Model: AOYG22KBTB**

Fan speed is defined by outdoor temperature and compressor frequency.

• **Outside air temperature zone selection**



Unit: rpm

Fan step	Cooling	Heating	Dry	Cooling or dry at low outdoor temp.				
	Y zone		Y zone	Z zone	F zone	G zone	H zone	
S-HIGH2	—	1,100	—	—	—	—	—	—
S-HIGH1	1,050	1,100	—	—	—	—	—	—
HIGH	1,050	1,100	—	—	—	—	—	—
10	—	1,100	—	—	—	—	—	—
9	1,050	1,100	1,050	850	440	320	270	270
8	1,050	800	1,050	850	440	320	270	270
7	900	680	900	630	440	320	270	270
6	860	570	860	440	320	270	230	230
5	690	510	690	440	270	230	200	200
4	550	470	550	320	270	230	200	200
3	440	420	440	320	270	230	200	200
2	400	420	400	320	270	230	200	200
1	400	420	400	320	270	230	200	200

NOTE: After defrost control on the heating mode, the fan speed is kept higher regardless of the compressor frequency.

Fan speed after defrost control: 1,100 rpm

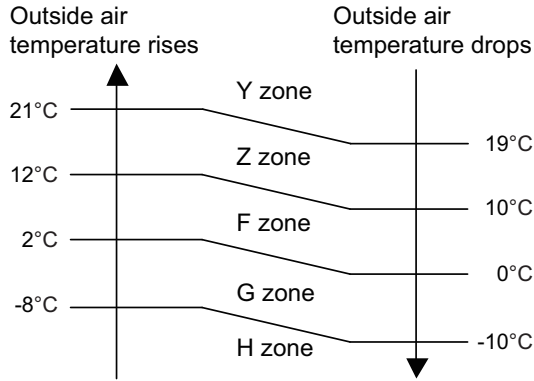
CONTROL AND FUNCTIONS

CONTROL AND FUNCTIONS

● **Model: AOYG24KBTB**

Fan speed is defined by outdoor temperature and compressor frequency.

• **Outside air temperature zone selection**



Unit: rpm

Fan step	Cooling	Heating	Dry	Cooling or dry at low outdoor temp.				
	Y zone		Y zone	Z zone	F zone	G zone	H zone	
S-HIGH2	—	1,100	—	—	—	—	—	—
S-HIGH1	1,000	1,100	—	—	—	—	—	—
HIGH	1,000	1,100	—	—	—	—	—	—
10	—	1,100	—	—	—	—	—	—
9	940	940	940	770	320	320	320	270
8	940	940	940	630	320	320	320	270
7	770	700	770	470	270	270	270	190
6	630	550	630	270	220	220	220	190
5	470	470	470	270	220	220	220	190
4	470	440	470	270	220	220	220	190
3	320	440	320	270	220	220	220	190
2	320	440	320	270	220	220	220	190
1	320	440	320	270	220	220	220	190

NOTE: After defrost control on the heating mode, the fan speed is kept higher regardless of the compressor frequency.

Fan speed after defrost control: 1,100 rpm

CONTROL AND FUNCTIONS

CONTROL AND FUNCTIONS

● Models: AOYG30KBTB and AOYG36KBTB

Fan speed is defined by outdoor temperature and compressor frequency.

Unit: rpm

Fan step	Cooling or dry	Heating
13	830	—
12	830	—
11	740	—
10	700	830
9	650	740
8	570	690
7	570	620
6	570	590
5	570	480
4	540	410
3	480	340
2	400	270
1	270	200
S-HIGH	—	830

- When the compressor frequency increases, the outdoor fan speed also changes to the higher speed.
- When the compressor frequency decreases, the outdoor fan speed also changes to the lower speed.

NOTE: After defrost control on the heating mode, the fan speed is kept higher regardless of the compressor frequency.

Fan speed after defrost control: 830 rpm

● Model: AOYG45KBTB

Fan speed is defined by outdoor temperature and compressor frequency.

Unit: rpm

Fan step	Cooling or dry	Heating
13	990	—
12	920	—
11	860	—
10	800	990
9	740	900
8	650	820
7	600	740
6	530	650
5	490	540
4	400	460
3	330	380
2	270	290
1	200	200
S-HIGH	—	990

- When the compressor frequency increases, the outdoor fan speed also changes to the higher speed.
- When the compressor frequency decreases, the outdoor fan speed also changes to the lower speed.

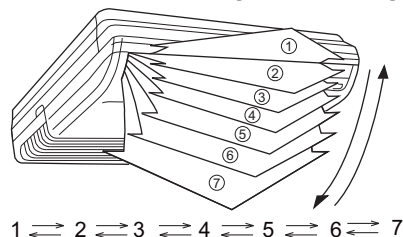
NOTE: After defrost control on the heating mode, the fan speed is kept higher regardless of the compressor frequency.

Fan speed after defrost control: 990 rpm

4. Louver control

4-1. Vertical airflow direction louver control

Each time the button is pressed, the air direction range will change as below:



- Remote controller display is not changed.
- Vertical airflow direction is set automatically as shown, in accordance with the type of operation selected.

Cooling/dry mode : Horizontal flow 1

Heating mode : Downward flow 7

- During AUTO operation, for the first a few minutes after beginning operation, airflow will be horizontal 1; the air direction cannot be adjusted during this period. The airflow direction setting will temporarily become 1 when the temperature of the airflow is low at the start of the Heating mode.
- After beginning of AUTO/HEAT mode operated and automatic defrosting operation, the airflow will be horizontal 1. However, the airflow direction cannot be adjusted at beginning AUTO operation mode.

4-2. Swing operation

- To select vertical airflow swing operation
When the swing signal is received, the vertical airflow direction louver starts to swing.
 - Swinging range
 - Cooling mode/dry mode/fan mode: 1 ↔ 7
 - Heating mode: 1 ↔ 7
 - When the indoor fan is S-LOW or stop mode, the swing operation is interrupted and it stops at either upper end or bottom end.

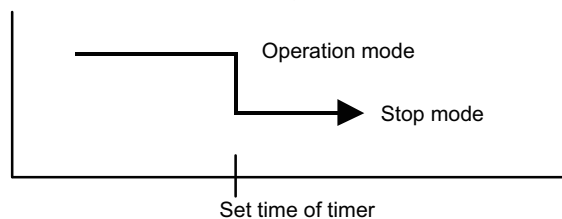
5. Timer operation control

5-1. Wireless remote control

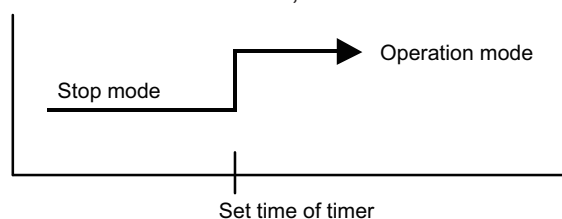
On/Off timer	Program timer	Sleep timer	Weekly timer
○	○	○	—

■ On/Off timer

- Off timer: When the clock reaches the set timer, the air conditioner will be turned off.

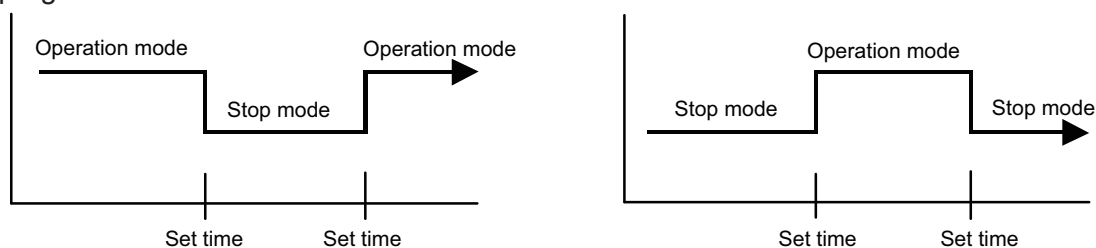


- On timer: When the clock reaches the set timer, the air conditioner will be turned on.



■ Program timer

- The program timer allows the off timer and the on timer to be used in combination one time.



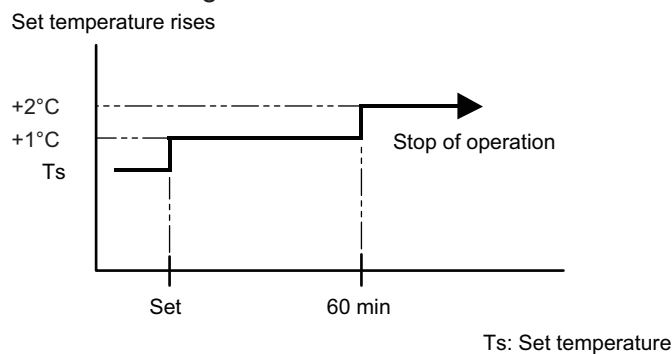
- Operation will start from the timer setting (either off timer and on timer) whichever is closest to the clock current timer setting. The order of operations is indicated by the allow in the remote controller screen.
- Sleep timer operation cannot be combined with on timer operation.

■ Sleep timer

If the sleep timer is set, the room temperature is monitored and the operation is stopped automatically. If the operation mode or the set temperature is change after the sleep timer is set, the operation is continued according to the changed setting of the sleep timer from that time on.

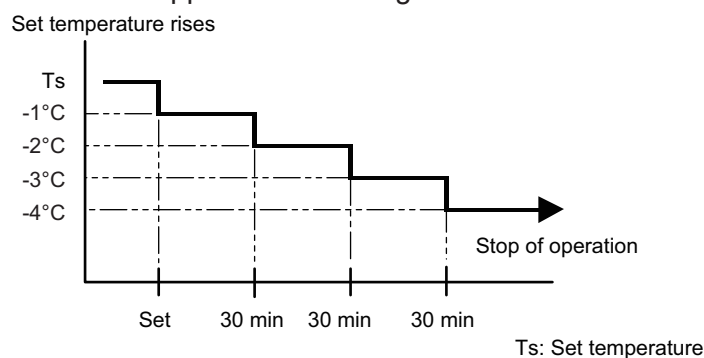
- In the cooling operation mode

When the sleep timer is set, the setting temperature is increased 1°C. It increases the setting temperature another 1°C after 1 hour. After that, the setting temperature is not changed and the operation is stopped at the setting time.



- In the heating operation mode

When the sleep timer is set, the setting temperature is decreased 1°C. It decreases the setting temperature another 1°C every 30 minutes. Upon lowering 4°C, the setting temperature is not changed and the operation is stopped at the setting time.

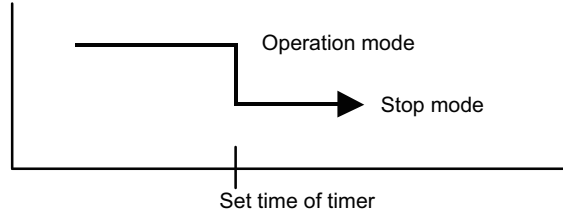


5-2. Wired remote control

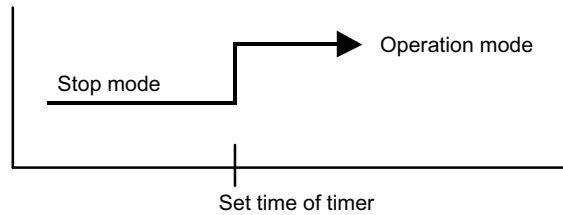
On/Off timer	Program timer	Sleep timer	Weekly timer	Temperature set back timer
○	○	○	○	○

■ On/Off timer

- Off timer: When the clock reaches the set timer, the air conditioner will be turned off.

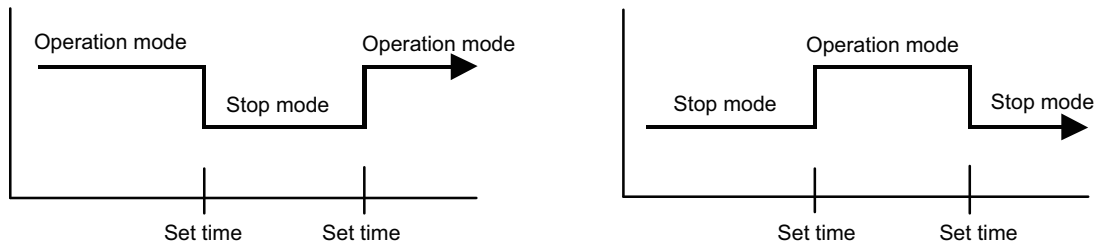


- On timer: When the clock reaches the set timer, the air conditioner will be turned on.



■ Program timer

- The program timer allows the off timer and the on timer to be used in combination one time.



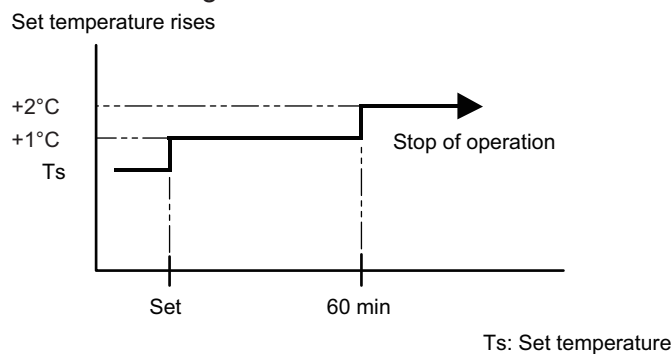
- Operation will start from the timer setting (either off timer and on timer) whichever is closest to the clock current timer setting. The order of operations is indicated by the allow in the remote controller screen.
- Sleep timer operation cannot be combined with on timer operation.

■ Sleep timer

If the sleep timer is set, the room temperature is monitored and the operation is stopped automatically. If the operation mode or the set temperature is change after the sleep timer is set, the operation is continued according to the changed setting of the sleep timer from that time on.

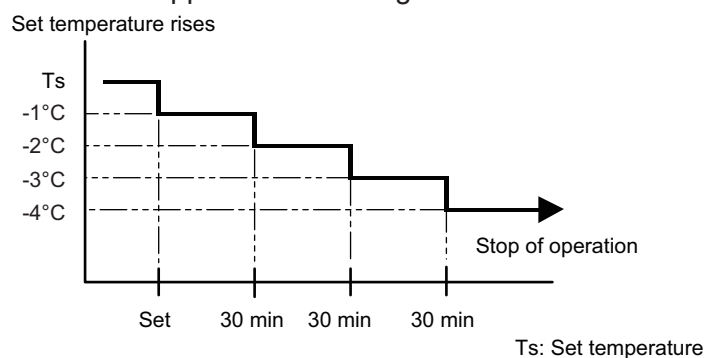
- In the cooling operation mode

When the sleep timer is set, the setting temperature is increased 1°C. It increases the setting temperature another 1°C after 1 hour. After that, the setting temperature is not changed and the operation is stopped at the setting time.



- In the heating operation mode

When the sleep timer is set, the setting temperature is decreased 1°C. It decreases the setting temperature another 1°C every 30 minutes. Upon lowering 4°C, the setting temperature is not changed and the operation is stopped at the setting time.



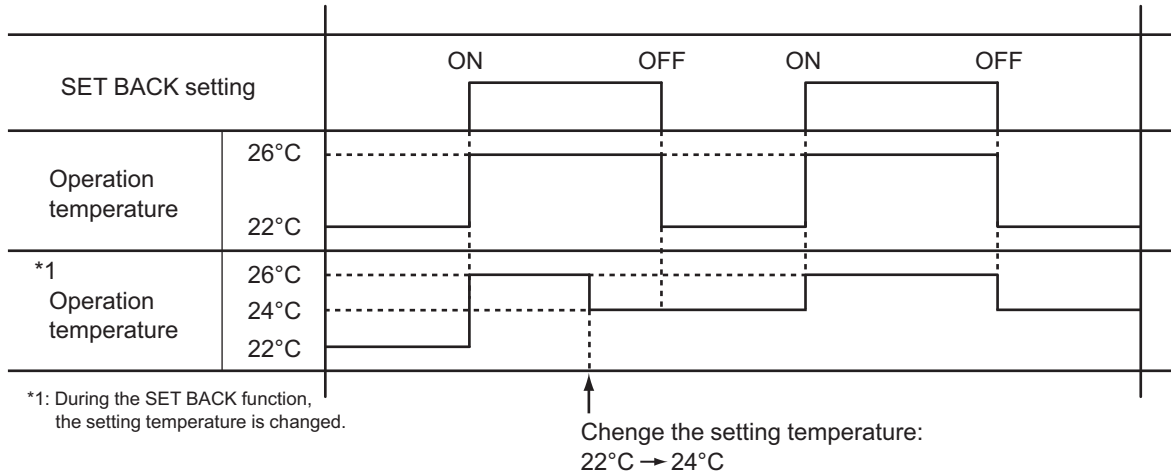
■ Weekly timer

On and off timer can be combined, and up to 4 reservations per day and 28 reservations per week. Before setting the program, set the week and time of the air conditioner at first. If the week and time are not set, the weekly timer will not operate correctly at the setting time.

■ Temperature set back timer

- The SET BACK timer only changes the set temperature for 7 days, it cannot be used to start or stop air conditioner operation.
- The SET BACK timer can be set to operate up to two times per day but only one temperature setting can be used.
- During COOLING/DRY mode, the air conditioner will operate at a minimum of 18°C even if the SET BACK temperature is set to 17°C or lower.

Case of SET BACK timer on the Cooling operation. (Setting temperature :22°C, SET BACK temperature :26°C)



6. Defrost operation control

Tn: Outdoor unit heat exchanger temperature

Ta: Outdoor temperature

Tn10: Temperature at 10 minutes after compressor start

Tnb: Temperature before 5 minutes

• Triggering condition

The defrost operation starts when outdoor unit heat exchanger temperature sensor detects the temperature lower than the values shown below.

– 1st time defrosting after starting operation

Compressor integrating operation time	Less than 17 min.	17 to 57 min.	More than 57 min.
Condition	Does not operate	$T_n \leq -9^\circ\text{C}$ and $T_n - T_a \geq 5$ deg	$T_n \leq -5^\circ\text{C}$

– 2nd time and after

- Models: AOYG18KBTB, AOYG22KBTB, and AOYG24KBTB

Compressor integrating operation time	Less than 40 min.	More than 40 min.
Condition	Does not operate	$T_n - T_{n10} < -5$ deg ($T_n \leq -6^\circ\text{C}$) $T_n - T_{nb} < -2$ deg ($T_n \leq -6^\circ\text{C}$) $T_n \leq -20^\circ\text{C}$ ($T_a \geq -10^\circ\text{C}$) $T_n \leq T_a - 7^\circ\text{C}$ or $T_n \leq -25^\circ\text{C}$ ($T_a < -10^\circ\text{C}$)

- Models: AOYG30KBTB, AOYG36KBTB, and AOYG45KBTB

Compressor integrating operation time	Less than 35 min.	More than 35 min.
Condition	Does not operate	$T_n - T_{n10} < -5$ deg ($T_n \leq -10^\circ\text{C}$) $T_n - T_{nb} < -2$ deg ($T_n \leq -10^\circ\text{C}$) $T_n \leq -25^\circ\text{C}$ ($T_a \geq -20^\circ\text{C}$) $T_n < T_a - 7^\circ\text{C}$ or $T_n \leq -25^\circ\text{C}$ ($T_a < -20^\circ\text{C}$)

– Integrating defrost (Constant monitoring)

Compressor integrating operation time	18/22/24 model	More than 240 min. (For long continuous operation)	More than 213 min. (For long continuous operation)	Less than 10 min.* (For intermittent operation)
	30/36/45 model	More than 240 min. (For long continuous operation)	More than 215 min. (For long continuous operation)	Less than 10 min.* (For intermittent operation)
Condition	$T_n \leq -3^\circ\text{C}$	$T_n \leq -5^\circ\text{C}$	Count of the compressor off: 40 times	

*: If the compressor continuous operation time is less than 10 minutes, the number of the compressor off is counted. If any defrost operated, the compressor off count is cleared.

• Release condition

The defrost operation is released when either one of the conditions below is satisfied.

Outdoor unit heat exchanger temperature (after 1 minute or later since compressor start)	18/22/24 model	13°C or more
	30/36/45 model	12°C or more
Compressor operation time		15 minutes

6-1. Defrost operation in heating operation stopped

If the outdoor unit is frosted when stopping the heating operation, it stops after performing the automatic defrosting operation.

In this time, if the indoor unit operation lamp flashes slowly (6 sec on/2 sec off), the outdoor unit allow the heat exchanger to defrost, and then stop.

• Triggering condition

When all of the following conditions are satisfied in heating operation

- Compressor operation integrating time: 30 minutes or more
- Compressor continuous operation time: 10 minutes or more
- Outdoor unit heat exchanger temperature: -4°C or less

• Release condition

The defrost operation is released when either one of the conditions below is satisfied.

Outdoor unit heat exchanger temperature (after 1 minute or later since compressor start)	18/22/24 model	13°C or more
	30/36/45 model	12°C or more
Compressor operation time		15 minutes

7. Various control

7-1. Auto restart

When the power was interrupted by a power failure etc. during operation, the operation contents at that time are memorized and when the power is recovered, operation is automatically started with the memorized operation contents.

Operation contents memorized when the power is interrupted	
Operation mode	
Setting temperature	
Fan mode setting	
Timer mode and set time (set by wireless remote controller)	
Airflow direction setting	
Swing	
ECONOMY operation	
10 °C HEAT operation	
Outdoor low noise operation	

7-2. 10 °C HEAT operation

10 °C HEAT operation performs as below setting when pressing 10 °C HEAT button.

Operation mode	Heating
Setting temperature	10°C
Fan mode	AUTO
LED display	Economy
Defrost operation	Operate as normal

7-3. ECONOMY operation

The ECONOMY operation starts by pressing ECONOMY button on the remote controller. The ECONOMY operation is almost the same operation as below settings.

Mode	Cooling/Dry	Heating
Target temperature	Setting temperature +1°C	Setting temperature -1°C

7-4. POWERFUL operation

The POWERFUL operation starts by pressing POWERFUL button on the remote controller. The indoor unit and outdoor unit operate at maximum power as shown in the table below.

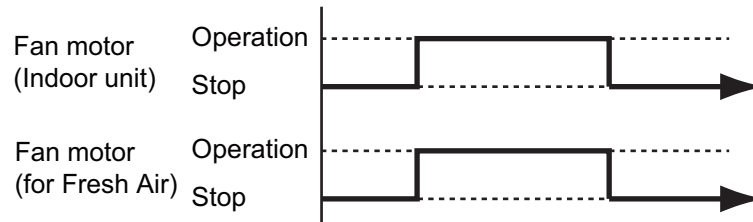
Compressor frequency		Maximum
Fan mode		POWERFUL
Vertical airflow direction louver setting	Cooling	3
	Dry	
	Heating	5

Release condition:

- Cooling/Dry
Room temperature ≤ Setting temperature -0.5°C or Operation time has passed 20 minutes.
- Heating
Room temperature ≥ Setting temperature +0.5°C or Operation time has passed 20 minutes.

7-5. Fresh air control

The fan motor for Fresh Air is operated in synchronization with the indoor fan operation as below.



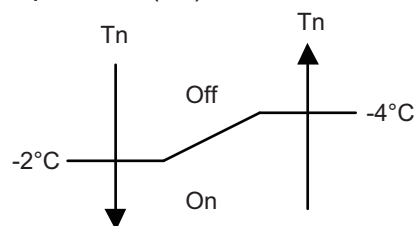
7-6. Compressor preheating

By preheating the compressor, warm airflow is quickly discharged when the operation is started.

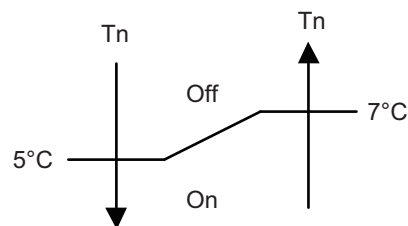
- **Models: AOYG18KBTB, AOYG22KBTB, and AOYG24KBTB**

– **Triggering condition**

- 30 minutes after compressor stopped.
- Outdoor unit heat exchanger temperature (T_n)



When the jumper wire (JM2) is disconnected:

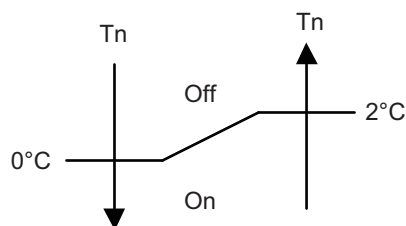


- **Models: AOYG30KBTB, AOYG36KBTB, and AOYG45KBTB**

– **Triggering condition 1**

- Outdoor temperature $\leq 20^{\circ}\text{C}$
When outdoor temperature reaches 26°C , compressor preheating stops.
- 30 minutes after compressor stopped

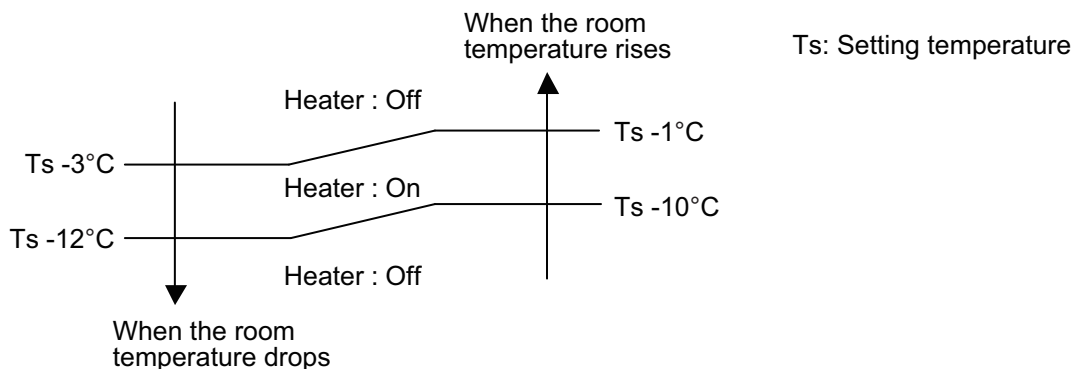
– **Triggering condition 2**



T_n : Outdoor unit heat exchanger temp.

7-7. External electrical heater control

The external electrical heater is operated as below.



NOTES:

- When the compressor stop, external electric heater is off.
- It operates only in heating mode and when the indoor fan operates. (However, S-LOW is excluded.)

7-8. Electronic expansion valve control

The most proper opening of the electronic expansion valve is calculated and controlled under the present operating condition based on the table below.

- Models: AOYG18KBTB, AOYG22KBTB, and AOYG24KBTB

Operation mode	Pulse range
Cooling/dry mode	Between 52 and 480 pulses
Heating mode	

- Models: AOYG30KBTB, AOYG36KBTB, and AOYG45KBTB

Operation mode	Pulse range
Cooling/dry mode	Between 47 and 480 pulses
Heating mode	Between 39 and 480 pulses

NOTE: At the time of supplying the power to the outdoor unit, the initialization of the electronic expansion valve is operated (528 pulses are input to the closing direction).

7-9. Drain pump control

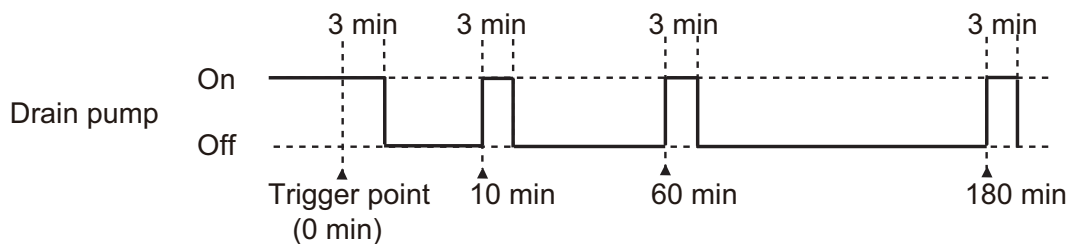
■ Drain control for cooling operation

● During the compressor in operation

- **Triggering condition**
The thermostat is turned on during cooling or dry mode.
- **Operation details**
The drain pump is turned on.
- **Release condition**
 - The thermostat is turned off.
Refer to "When the compressor is not in operation" for the operation after release.
 - The compressor is stopped.
Refer to "When the compressor is not in operation" for the operation after release.
 - The operation is switched to heating mode.
Refer to "When the compressor is not in operation" for the operation after release.
 - The float switch is turned on.
Refer to "Overflow control" for the operation after release.
 - The compressor is stopped by Anti-freezing control.
Refer to "The compressor is stopped by Anti-freezing control" for the operation after release.

● When the compressor is not in operation

- **Triggering condition**
 - The thermostat is turned off.
 - The compressor is stopped.
 - The operation is switched to heating mode.
 - The float switch is turned off.
- **Operation details**
 - Count 180 minutes.
 - Start drain pump intermittent operation.



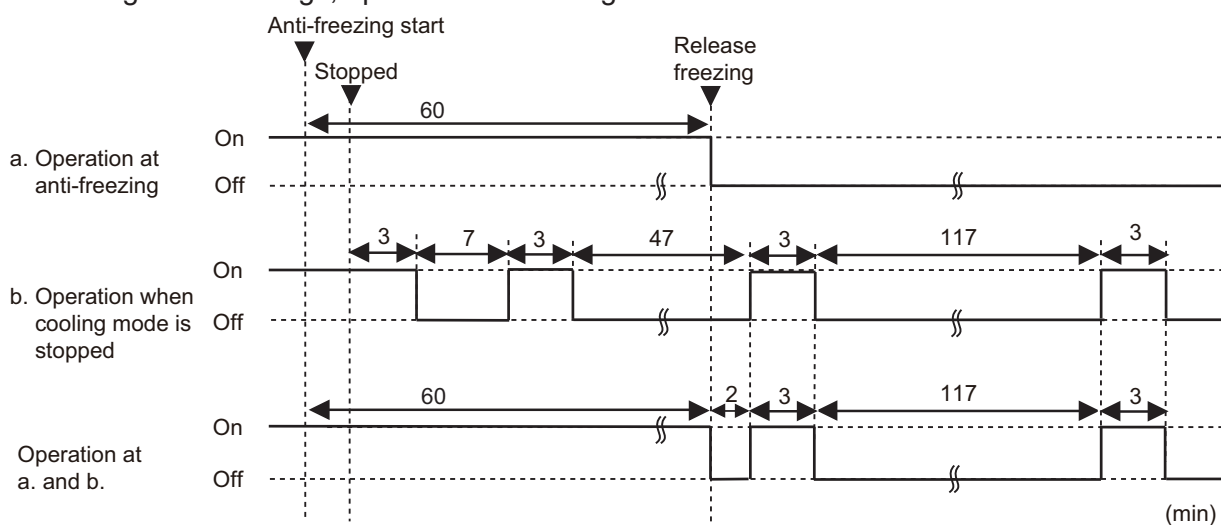
- **Release condition**
 - 3 minutes drain pump operation is finished after 180 minutes count.
 - The operation is switched to cooling or dry mode.
Refer to "During the compressor in operation" for the operation after release.
 - The float switch is turned on.
Refer to "Overflow control" for the operation after release.
- **Operation after release**
The drain pump is turned off and the air conditioner operate according the settings.

● Overflow control

- **Triggering condition**
The float switch is turned on.
- **Operation details**
 - The drain pump is turned on.
 - When the operation mode is cooling or dry, operate the followings.
 - The compressor is stopped.
 - Then indoor fan control is turned off.
- **Release condition**
 - The float switch is turned off.
 - In the case that on the cooling or dry mode the thermostat is on, refer to "[During the compressor in operation](#)" for the operation after release.
 - In other case, refer to "[When the compressor is not in operation](#)" for the operation after release.
 - 3 minutes passed
- **Operation after release**
The compressor stopps permanently.

● The compressor is stopped by Anti-freezing control

- **Triggering condition**
During the compressor in operation, the compressor is stopped by Anti-freezing control.
- **Operation details**
The drain pump is kept on in 60 minutes after Anti-freezing control released.
- **Release condition**
60 minutes passed
- **Operation after release**
According to the settings, operate the followings.



7-10. Prevention to restart for 3 minutes (3 minutes st)

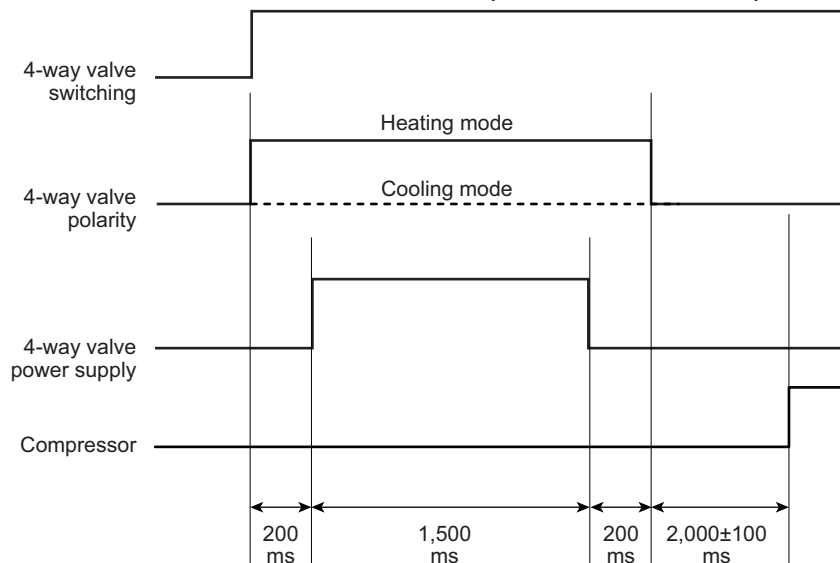
When the compressor fails to start for the number of times below, it does not enter operation status for 3 minutes.

Retry number	18/22/24 model	50
	30/36/45 model	30
Retry set number	3	

When the compressor fails to start in the retry set number above, the compressor is stopped.

7-11. 4-way valve control

- If heating mode is selected at the compressor start, 4-way valve is energized for heating.
- When the air conditioner is switched between cooling and heating mode, compressor is stopped, and the 4-way valve is switched when the 3 minutes passes and the compressor is started.



7-12. Human sensor for energy saving

If no one enters the room for the set time, the set temperature is automatically controlled. (When someone comes back into the room, the human sensor detects this, and automatically reverts to the original settings.)

Operation mode	Operation details (If there is no one in the room for a while)
Cooling/Dry	The setting temperature is increased by maximum 2°C. (Maximum setting temperature: 30°C)
Heating	The setting temperature is decreased by maximum 2°C. (Minimum setting temperature: 16°C)
Auto	Energy saving function is performed automatically for the selected mode (cooling/heating/dry).

Details about detection with the human sensor:

The human sensor detects whether there are people in the room by looking for movement by people in the room.

7-13. Peak cut operation(for 30/36/45 model)

The current value is limited to reduce the power consumption by external input.

Peak cut level	Level 1	Level 2	Level 3	Level 4
Peak cut for rated capacity	Forced thermostat off	50%	75%	100%

NOTES:

- During defrost operation, peak cut operation becomes invalid.
- Even during the peak cut operation, the operations of current overload, economy, and low noise are effective and the outdoor unit operates by lowest current of them.

8. Various protections

8-1. Discharge gas temperature over-rise prevention control

The discharge gas temperature sensor (discharge thermistor: outdoor unit side) detects the discharge gas temperature.

- When the discharge temperature becomes higher than the trigger condition, the compressor frequency is decreased as the table below, and it continues to decrease until the discharge temperature becomes lower than the trigger condition.
- When the discharge temperature becomes lower than the release condition, control of compressor frequency is released.
- When the discharge temperature becomes higher than the compressor protection temperature, the compressor is stopped and the indoor unit LED starts blinking.

Trigger condition		104°C
Compressor frequency	18/22/24 model	-20 rps/120 seconds
	30/36/45 model	-14 rps/120 seconds
Release condition		101°C
Compressor protection temperature		110°C

8-2. Anti-freezing control (cooling and dry mode)

The compressor frequency is decrease in cooling and dry mode when the indoor unit heat exchanger temperature sensor detects the temperature lower than the trigger condition.

When the indoor unit heat exchanger temperature reaches release condition, the anti-freezing control is stopped.

Trigger condition		4°C
Release condition	Outdoor temp. $\geq 10^{\circ}\text{C}^{*1}$	7°C
	Outdoor temp. $\geq 12^{\circ}\text{C}^{*2}$	
	Outdoor temp. $< 10^{\circ}\text{C}^{*1}$	13°C
	Outdoor temp. $< 12^{\circ}\text{C}^{*2}$	

*1: During the outdoor temperature dropping

*2: During the outdoor temperature rising

8-3. Current release control

The compressor frequency is controlled so that the outdoor unit input current does not exceeds current limit value set according to the outdoor temperature.

The compressor frequency returns according to the operation mode, when the current becomes lower than the release value.

■ Model: AOYG18KBTB

Operation mode	Outdoor temp. (Ta)	Trigger condition	Release condition
Cooling	$50^{\circ}\text{C} \leq \text{Ta}$	4.5 A	4.0 A
	$46^{\circ}\text{C} \leq \text{Ta} < 50^{\circ}\text{C}$	4.5 A	4.0 A
	$40^{\circ}\text{C} \leq \text{Ta} < 46^{\circ}\text{C}$	6.0 A	5.5 A
	$12^{\circ}\text{C} \leq \text{Ta} < 40^{\circ}\text{C}$	10.0 A	9.5 A
	$2^{\circ}\text{C} \leq \text{Ta} < 12^{\circ}\text{C}$	10.0 A	9.5 A
	$\text{Ta} < 2^{\circ}\text{C}$	10.0 A	9.5 A
Heating	$17^{\circ}\text{C} \leq \text{Ta}$	7.0 A	6.5 A
	$12^{\circ}\text{C} \leq \text{Ta} < 17^{\circ}\text{C}$	9.0 A	8.5 A
	$5^{\circ}\text{C} \leq \text{Ta} < 12^{\circ}\text{C}$	10.5 A	10.0 A
	$\text{Ta} < 5^{\circ}\text{C}$	10.5 A	10.0 A

■ Model: AOYG22KBTB

Operation mode	Outdoor temp. (Ta)	Trigger condition	Release condition
Cooling	$50^{\circ}\text{C} \leq \text{Ta}$	7.0 A	6.5 A
	$46^{\circ}\text{C} \leq \text{Ta} < 50^{\circ}\text{C}$	7.0 A	6.5 A
	$40^{\circ}\text{C} \leq \text{Ta} < 46^{\circ}\text{C}$	9.5 A	9.0 A
	$12^{\circ}\text{C} \leq \text{Ta} < 40^{\circ}\text{C}$	10.5 A	10.0 A
	$2^{\circ}\text{C} \leq \text{Ta} < 12^{\circ}\text{C}$	10.5 A	10.0 A
	$\text{Ta} < 2^{\circ}\text{C}$	10.5 A	10.0 A
Heating	$17^{\circ}\text{C} \leq \text{Ta}$	8.0 A	7.5 A
	$12^{\circ}\text{C} \leq \text{Ta} < 17^{\circ}\text{C}$	9.0 A	8.5 A
	$5^{\circ}\text{C} \leq \text{Ta} < 12^{\circ}\text{C}$	11.0 A	10.5 A
	$\text{Ta} < 5^{\circ}\text{C}$	11.0 A	10.5 A

■ Model: AOYG24KBTB

Operation mode	Outdoor temp. (Ta)	Trigger condition	Release condition
Cooling	$50^{\circ}\text{C} \leq \text{Ta}$	7.0 A	6.5 A
	$46^{\circ}\text{C} \leq \text{Ta} < 50^{\circ}\text{C}$	7.0 A	6.5 A
	$40^{\circ}\text{C} \leq \text{Ta} < 46^{\circ}\text{C}$	9.5 A	9.0 A
	$12^{\circ}\text{C} \leq \text{Ta} < 40^{\circ}\text{C}$	12.0 A	11.5 A
	$2^{\circ}\text{C} \leq \text{Ta} < 12^{\circ}\text{C}$	12.0 A	11.5 A
	$\text{Ta} < 2^{\circ}\text{C}$	12.0 A	11.5 A
Heating	$17^{\circ}\text{C} \leq \text{Ta}$	8.5 A	8.0 A
	$12^{\circ}\text{C} \leq \text{Ta} < 17^{\circ}\text{C}$	9.5 A	9.0 A
	$5^{\circ}\text{C} \leq \text{Ta} < 12^{\circ}\text{C}$	11.0 A	10.5 A
	$\text{Ta} < 5^{\circ}\text{C}$	11.0 A	10.5 A

■ Models: AOYG30KBTB and AOYG36KBTB

Operation mode	Outdoor temp. (Ta)	Trigger condition	Release condition
Cooling	$52^{\circ}\text{C} \leq \text{Ta}$	8.0 A	7.5 A
	$50^{\circ}\text{C} \leq \text{Ta} < 52^{\circ}\text{C}$	12.0 A	11.5 A
	$42^{\circ}\text{C} \leq \text{Ta} < 50^{\circ}\text{C}$	14.0 A	13.5 A
	$2^{\circ}\text{C} \leq \text{Ta} < 42^{\circ}\text{C}$	18.0 A	17.5 A
	$\text{Ta} < 2^{\circ}\text{C}$	20.0 A	19.5 A
Heating	$2^{\circ}\text{C} \leq \text{Ta}$	18.0 A	17.5 A
	$\text{Ta} < 2^{\circ}\text{C}$	20.0 A	19.5 A

■ Model: AOYG45KBTB

Operation mode	Outdoor temp. (Ta)	Trigger condition	Release condition
Cooling	$52^{\circ}\text{C} \leq \text{Ta}$	10.0 A	9.5 A
	$50^{\circ}\text{C} \leq \text{Ta} < 52^{\circ}\text{C}$	13.0 A	12.5 A
	$46^{\circ}\text{C} \leq \text{Ta} < 50^{\circ}\text{C}$	15.0 A	14.5 A
	$42^{\circ}\text{C} \leq \text{Ta} < 46^{\circ}\text{C}$	18.0 A	17.5 A
	$2^{\circ}\text{C} \leq \text{Ta} < 42^{\circ}\text{C}$	20.0 A	19.5 A
	$\text{Ta} < 2^{\circ}\text{C}$	24.0 A	23.5 A
Heating	$2^{\circ}\text{C} \leq \text{Ta}$	20.0 A	19.5 A
	$\text{Ta} < 2^{\circ}\text{C}$	24.0 A	23.5 A

8-4. Indoor unit fan motor over temperature protection

When satisfy the following conditions, the protection works.

- After the 90 seconds from the fan operation, detect less than 300 rpm for 10 seconds.
- IPM trip protection works.
- Current overload protection works.

When detecting the above condition, recheck the condition after 6 minutes. When count the twice, the protection works.

• Protection contents

Reduce the static pressure 20 Pa. When it does not dissolve even the minimum static pressure condition, work the following operation.

- Fan motor error displayed when less than 300 rpm for 10 seconds is detected after the 90 seconds from the fan operation.
- Fan stop 40 seconds when IPM trip protection works.
- Fan stop 50 seconds when current overload protection works.

8-5. Compressor temperature protection

When the compressor temperature sensor detects higher than the trigger condition below, the compressor is stopped. When the compressor temperature sensor detects the release condition, the protection is released.

Trigger condition	108°C
Release condition	80°C (3 minutes after compressor stop)

8-6. High pressure protection

Trigger condition	Pressure switch: Off (Open: Higher than 4.2 MPa) Compressor stop
Release condition	Pressure switch: On (Close: Lower than 3.2 MPa) (3 minutes after compressor stop) Compressor restart

8-7. Low outdoor temperature protection

When the outdoor temperature sensor detects lower than the trigger condition below, the compressor is stopped.

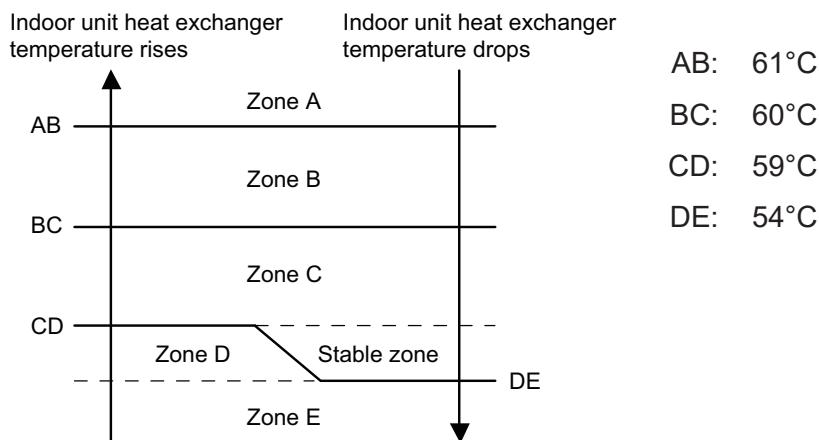
Operation mode	Cooling/Dry	Heating
Trigger condition	-20°C	-20°C
Release condition	-15°C	-15°C

8-8. High temperature and high pressure release control

The compressor is controlled as follows.

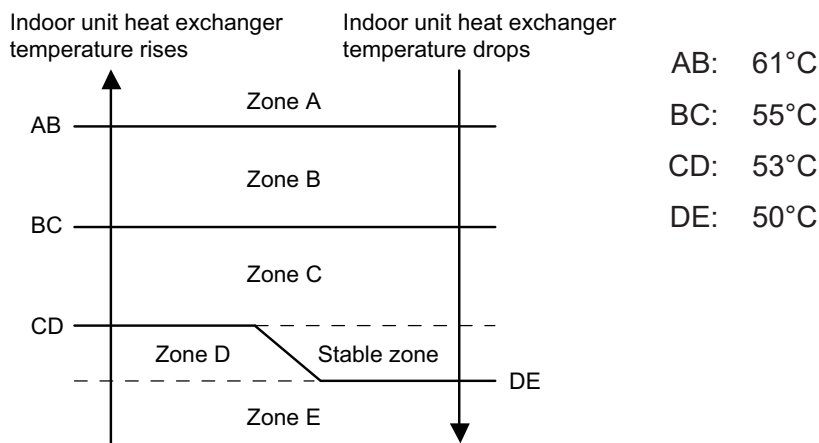
■ Models: AOYG18KBTB, AOYG22KBTB, and AOYG24KBTB

• Cooling mode



Zone	Operation	
Zone A	Compressor is stopped.	
Zone B	The compressor frequency is decreased.	-30 rps/30 sec.
Zone C		-5 rps/60 sec.
Zone D	The protection is released and the operation is returned to normal mode.	
Zone E		

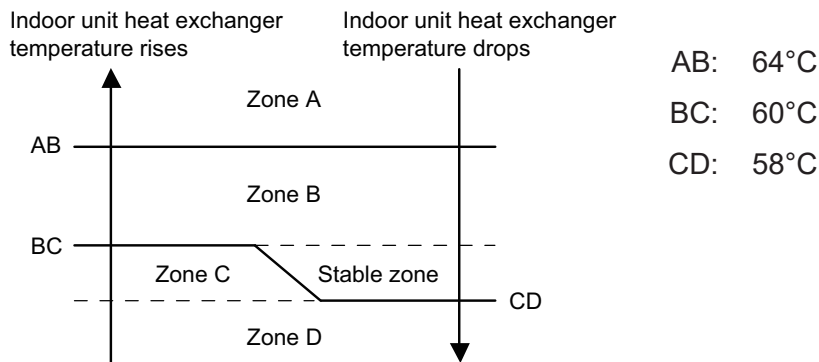
• Heating mode



Zone	Operation	
Zone A	Compressor is stopped.	
Zone B	The compressor frequency is decreased.	-25 rps/120 sec.
Zone C		-3 rps/60 sec.
Zone D	The protection is released and the operation is returned to normal mode.	
Zone E		

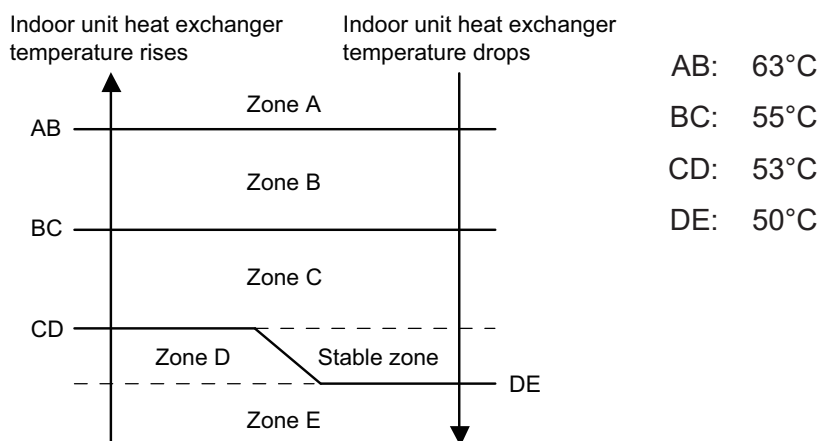
Models: AOYG30KBTB, AOYG36KBTB, and AOYG45KBTB

Cooling mode



Zone	Operation	
Zone A	Compressor is stopped.	
Zone B	The compressor frequency is decreased.	-7 rps/120 sec.
Zone C	The protection is released and the operation is returned to normal mode.	
Zone D		

Heating mode



Zone	Operation	
Zone A	Compressor is stopped.	
Zone B	The compressor frequency is decreased.	-15 rps/120 sec.
Zone C		-2 rps/120 sec.
Zone D	The protection is released and the operation is returned to normal mode.	
Zone E		

CONTROL AND FUNCTIONS

CONTROL AND FUNCTIONS

5. FILED WORKING

CONTENTS

5. FILED WORKING

1. Function settings (For indoor unit).....	05-1
1-1. Function settings by using remote controller	05-1
1-2. Function settings on outdoor unit.....	05-5

1. Function settings (For indoor unit)

To adjust the functions of this product according to the installation environment, various types of function settings are available.

NOTE: Incorrect settings can cause a product malfunction.

1-1. Function settings by using remote controller

Some function settings can be changed on the remote controller. After confirming the setting procedure and the content of each function setting, select appropriate functions for your installation environment.

■ Setting procedure by using remote controller

Remote controller is not attached for this product. For details of the installing remote controller, refer to following information.

- Overview information: Operating manual of the remote controller
- Setting procedure: Installation manual of the remote controller

■ Contents of function setting

Each function setting listed in this section is adjustable in accordance with the installation environment.

NOTE: Setting will not be changed if invalid numbers or setting values are selected.

● Function setting list

	Function no.	Functions
1)	11	Filter sign
2)	20	Ceiling height
3)	28	Horizontal louver direction switching for dew condensation prevention
4)	30/31	Room temperature control for indoor unit sensor
5)	35/36	Room temperature control for wired remote controller sensor
6)	40	Auto restart
7)	42	Room temperature sensor switching
8)	44	Remote controller custom code
9)	46	External input control
10)	48	Room temperature sensor switching (Aux.)
11)	49	Indoor unit fan control for energy saving for cooling
12)	60	Switching functions for external output terminal

1) Filter sign

Select appropriate intervals for displaying the filter sign on the indoor unit according to the estimated amount of dust in the air of the room.

If the indication is not required, select "No indication" (03).

Function number	Setting value	Setting description	Factory setting
11	00	Standard (2,500 hours)	
	01	Long interval (4,400 hours)	
	02	Short interval (1,250 hours)	
	03	No indication	◆

2) Ceiling height

Select the appropriate ceiling height according to the place of installation.

Function number	Setting value	Setting description	Factory setting
20	00	Standard	◆
	01	High ceiling	

For the specific height for each setting value, refer to "Installation space" in Chapter "Dimensions" on page 1.

3) Horizontal louver direction switching for dew condensation prevention

Automatically switches the position of the horizontal louver if the airflow direction is set at lower than the dew condensation limit position in cooling or drying operation.

Select suitable adjustment position according to the customer's preference.

Function number	Setting value	Setting description	Factory setting
28	00	Adjust to dew condensation limit position	◆
	01	Adjust to cooling standard position	

4) Room temperature control for indoor unit sensor

Depending on the installed environment, correction of the room temperature sensor may be required. Select the appropriate control setting according to the installed environment.

The temperature of the room temperature sensor is corrected as follows:

Corrected temp. = Temp. of the room temp. sensor - Correction temp. value

Example of correction:

When the temperature of the room temp. sensor is 26°C and the setting value is "03" (-1.0°C), corrected temp. will be 27°C (26°C - [-1.0°C]).

The temperature correction values show the difference from the Standard setting "00" (manufacturer's recommended value).

Function number	Setting value	Setting description	Factory setting		
30 (For cooling)	31 (For heating)	00	Standard setting	◆	
		01	No correction 0.0 °C		
		02	-0.5 °C	More cooling Less heating	
		03	-1.0 °C		
		04	-1.5 °C		
		05	-2.0 °C		
		06	-2.5 °C		
		07	-3.0 °C		
		08	-3.5 °C		
		09	-4.0 °C		
		10	+0.5 °C	Less cooling More heating	
		11	+1.0 °C		
		12	+1.5 °C		
		13	+2.0 °C		
		14	+2.5 °C		
		15	+3.0 °C		
		16	+3.5 °C		
17	+4.0 °C				

5) Room temperature control for wired remote controller sensor

Depending on the installed environment, correction of the wire remote temperature sensor may be required. Select the appropriate control setting according to the installed environment.

To change this setting, set Function 42 to Both "01".

Ensure that the Thermo Sensor icon is displayed on the remote controller screen.

Function number		Setting value	Setting description	Factory setting	
35 (For cooling)	36 (For heating)	00	Standard setting	◆	
		01	No correction 0.0°C		
		02	-0.5 °C	More cooling Less heating	
		03	-1.0 °C		
		04	-1.5 °C		
		05	-2.0 °C		
		06	-2.5 °C		
		07	-3.0 °C		
		08	-3.5 °C		
		09	-4.0 °C		
		10	+0.5 °C	Less cooling More heating	
		11	+1.0 °C		
		12	+1.5 °C		
		13	+2.0 °C		
		14	+2.5 °C		
		15	+3.0 °C		
		16	+3.5 °C		
		17	+4.0 °C		

6) Auto restart

Enables or disables automatic restart after a power interruption.

Function number	Setting value	Setting description	Factory setting
40	00	Enable	◆
	01	Disable	

NOTE: Auto restart is an emergency function such as for power outage etc. Do not attempt to use this function in normal operation. Be sure to operate the unit by remote controller or external device.

7) Room temperature sensor switching

(Only for wired remote controller)

When using the wired remote controller temperature sensor, change the setting to "Both" (01).

Function number	Setting value	Setting description	Factory setting
42	00	Indoor unit	◆
	01	Both	

00: Sensor on the indoor unit is active.

01: Sensors on both indoor unit and wired remote controller are active.

NOTE: Remote controller sensor must be turned on by using the remote controller.

8) Remote controller custom code

(Only for wireless remote controller)

The indoor unit custom code can be changed. Select the appropriate custom code.

Function number	Setting value	Setting description	Factory setting
44	00	A	◆
	01	B	
	02	C	
	03	D	

9) External input control

"Operation/Stop" mode or "Forced stop" mode can be selected.

Function number	Setting value	Setting description	Factory setting
46	00	Operation/Stop mode 1	◆
	01	(Setting prohibited)	
	02	Forced stop mode	
	03	Operation/Stop mode 2	

10) Room temperature sensor switching (Aux.)

To use the temperature sensor on the wired remote controller only, change the setting to "Wired remote controller" (01).

This function will only work if the function setting 42 is set at "Both" (01).

When the setting value is set to "Both" (00), more suitable control of the room temperature is possible by setting function setting 30 and 31 too.

Function number	Setting value	Setting description	Factory setting
48	00	Both	◆
	01	Wired remote controller	

11) Indoor unit fan control for energy saving for cooling

Enables or disables the power-saving function by controlling the indoor unit fan rotation when the outdoor unit is stopped during cooling operation.

Function number	Setting value	Setting description	Factory setting
49	00	Disable	
	01	Enable	
	02	Remote controller	◆

00: When the outdoor unit is stopped, the indoor unit fan operates continuously following the setting on the remote controller.

01: When the outdoor unit is stopped, the indoor unit fan operates intermittently at a very low speed.

02: Enable or disable this function by remote controller setting.

NOTES:

- As the factory setting, this setting is initially activated.
- Set to "00" or "01" when connecting a remote controller that cannot set the Fan control for energy saving function or connecting a network converter.
To confirm if the remote controller has this setting, refer to the operating manual of each remote controller.

12) Switching functions for external output terminal

Functions of the external output terminal can be switched. For details, refer to “External input and output”.

Function number	Setting value	Setting description	Factory setting
60	00	Operation status	◆
	01—08	(Setting prohibited)	
	09	Error status	
	10	Indoor unit fan operation status	
	11	External heater	

1-2. Function settings on outdoor unit

Perform appropriate function setting locally according to the installation environment.

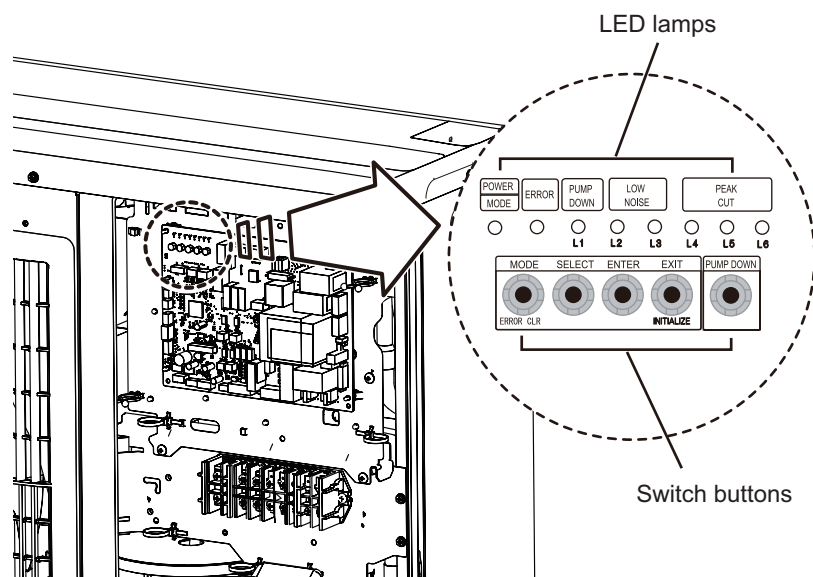
NOTE: Incorrect settings can cause a product malfunction.

⚠ CAUTION

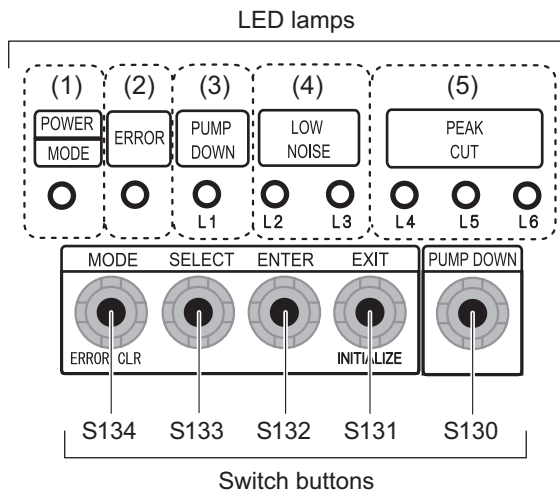
- Before setting up the switch buttons, discharge the static electricity from your body.
- Never touch the terminals or the patterns on the parts that are mounted on the PCB.

■ Control PCB and switch buttons location

Control PCB of the outdoor unit is located as shown in the following figure.



● Switch buttons and the functions



LED lamp		Function or operation method	
(1)	POWER/MODE	Green	Lights on while power on. Local setting in outdoor unit or error code is displayed with blink.
(2)	ERROR	Red	Blinks during error operation.
(3)	PUMP DOWN (L1)	Orange	Lights on during pump down operation.
(4)	LOW NOISE MODE (L2 and L3)	Orange	Lights on during "Low noise mode" when local setting is activated. (Lighting pattern of L2 and L3 indicates low noise level.)
(5)	PEAK CUT MODE (L4, L5, and L6)	Orange	Lights on during "Peak cut mode" when local setting is activated. (Lighting pattern of L4, L5, and L6 indicates peak cut level.)

Switch button		Function or operation method	
S134	MODE	Switches between "Local setting" and "Error code display".	
S133	SELECT	Switches between the individual "Local settings" and the "Error code displays".	
S132	ENTER	Switches between the individual "Local settings" and the "Error code displays".	
S131	EXIT	Returns to "Operation status display".	
S130	PUMP DOWN	Starts the pump down operation.	

FIELD WORKING

FIELD WORKING

Local setting procedure

NOTE: Before performing the function setting, be sure to stop the operation of the air conditioner.

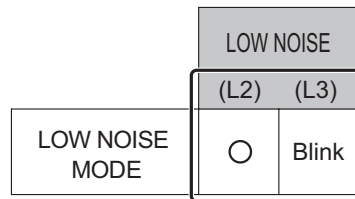
Low noise mode

1. Press the MODE switch button (S134) for 3 seconds or more to switch to “Local setting mode”.
2. After confirming the LED lamp of POWER/MODE blinks 9 times, press the ENTER switch button (S132).

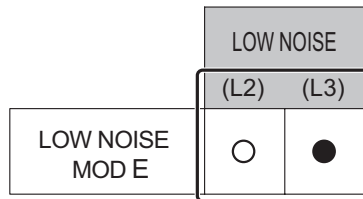
POWER MODE	ERROR	PUMP DOWN (L1)	LOW NOISE		PEAK CUT		
			(L2)	(L3)	(L4)	(L5)	(L6)
Blinks (9 times)	○	○	○	○	○	○	○

Sign “○”: Lights off

3. Press the SELECT switch button (S133), and adjust the LED lamp as shown below. Then the LED lamp indicates the current setting.



4. Press the ENTER switch button (S132).



Sign “●”: Lights on

5. Press the SELECT switch button (S133), and adjust the LED lamps as shown below.

	PEAK CUT		
	(L4)	(L5)	(L6)
MODE 1: Low	○	○	Blink
MODE 2: Lower	○	Blink	○

6. Press the ENTER switch button (S132) and fix it.

	PEAK CUT		
	(L4)	(L5)	(L6)
MODE 1: Low	○	○	●
MODE 2: Lower	○	●	○

7. To return to “Operating status display (Normal operation)”, press the EXIT switch button (S131).

In case of missing how many times you pressed the SELECT and ENTER switch buttons:

1. To return to “Operation status display (Normal operation)”, press the EXIT switch button once.
2. Restart from the beginning of setting procedure.

NOTE: In case of missing how many times you pressed the SELECT and ENTER switch buttons, you must redo the setting procedure. Return to “Operation status display (Normal operation)” by pressing the EXIT switch button once, and restart from the beginning of the setting procedure.

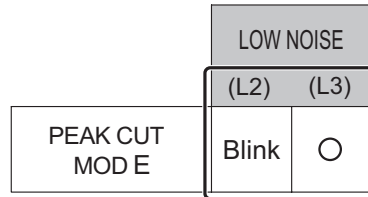
● Peak cut mode

1. Press the MODE switch button (S134) for 3 seconds or more to switch to “Local setting mode”.
2. After confirming the LED lamp of POWER/MODE blinks 9 times, press the ENTER switch button (S132).

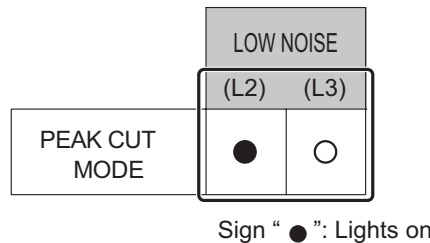
POWER MODE	ERROR	PUMP DOWN (L1)	LOW NOISE (L2) (L3)		PEAK CUT (L4) (L5) (L6)		
Blinks (9 times)	○	○	○	○	○	○	○

Sign “○”: Lights off

3. Press the SELECT switch button (S133), and adjust the LED lamp as shown below. Then the LED lamp indicates the current setting.



4. Press the ENTER switch button (S132).



5. Press the SELECT switch button (S133), and adjust the LED lamps as shown below.

	PEAK CUT		
	(L4)	(L5)	(L6)
0 % of rated input ratio	○	○	Blink
50 % of rated input ratio	○	Blink	○
75 % of rated input ratio	○	Blink	Blink
100 % of rated input ratio	Blink	○	○

6. Press the ENTER switch button (S132) and fix it.

	PEAK CUT		
	(L4)	(L5)	(L6)
0 % of rated input ratio	○	○	●
50 % of rated input ratio	○	●	○
75 % of rated input ratio	○	●	●
100 % of rated input ratio	●	○	○

7. To return to “Operating status display (Normal operation)”, press the EXIT switch button (S131).

NOTE: When pressed number is lost during setting, you must redo the setting procedure. Return to “Operation status display (Normal operation)” by pressing the EXIT switch button once, and restart from the beginning of the setting procedure.