

# MDXS ON DEMAND

---

- IT LIBRETTO ISTRUZIONI** (Istruzioni Originali)
- EN USER HANDBOOK** (Translation of the Original Instructions)
- FR MANUEL D'INSTRUCTIONS** (Traduction des Instructions Originales)
- DE GEBRAUCHANWEISUNGEN** (Übersetzung der Originalanleitungen)
- ES INSTRUCCIONES DE MANEJO** (Traducción de las Instrucciones Originales)



 **nuova  
SIMONELLI**  
The coffee machines you can trust.

# INDICE / INDEX / ÍNDICE

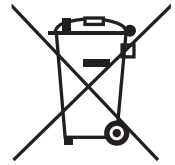
---

<b>3</b>	AVVERTENZE E SICUREZZE
<b>7</b>	PRECAUTIONS AND SAFETY FEATURES
<b>11</b>	NOTES ET DISPOSITIFS DE SECURITE
<b>15</b>	WARNHINWEISE UND SICHERHEITSEINRICHTUNGEN
<b>19</b>	ADVERTENCIAS Y DISPOSITIVOS DE SEGURIDAD
<b>23</b>	INFORMAZIONI GENERALI / GENERAL INFORMATION / INFORMATIONS GENERALES / INFORMAZIONI GENERALI / INFORMACIÓN GENERAL
<b>24</b>	DATI TECNICI / TECHNICAL DATA / DONNEES TECHNIQUES / TECHNISCHE DATEN / DATOS TÉCNICOS
<b>26</b>	DESCRIZIONE DELL'APPARECCHIO / APPLIANCE DESCRIPTION / DESCRIPTION DE L'APPAREIL / BESCHREIBUNG DES GERÄTS / DESCRIPCIÓN DEL APARATO
<b>28</b>	BLOCCAGGIO CONTENITORE / LOCKING THE CONTAINER / BLOCAGE RECIPIENT / VERRIEGELUNG DES BEHÄLTERS / BLOQUEO DEL CONTENEDOR
<b>30</b>	ISTRUZIONI D'USO / INSTRUCTIONS FOR USE / INSTRUCTIONS D'EMPLOI / BETRIEBSANLEITUNG / INSTRUCCIONES DE USO
<b>42</b>	PULIZIA E MANUTENZIONE / CLEANING AND MAINTENANCE / NETTOYAGE ET ENTRETIEN / PULIZIA E MANUTENZIONE / LIMPIEZA Y MANTENIMIENTO
<b>48</b>	RICERCA GUASTI / TROUBLESHOOTING / RECHERCHES PANNES / STÖRUNGSSUCHE / LOCALIZACIÓN DE AVERÍAS

## EN PRECAUTIONS AND SAFETY FEATURES

Machine design has taken into account all reasonable user safety precautions; nevertheless, particular conditions of installation and/or handling may create unforeseen situations beyond the installer's control which will require case-by-case evaluation of residual risks. We recommend keeping the following in mind:

- Always handle the machine with care to avoid the danger of its falling.
- The packing materials (carton, cellophane, staples, polystyrene, etc..) can cut, wound or create hazards if used improperly or handled carelessly. Store such materials out of reach of children and irresponsible persons.
- This symbol on the appliance or package means that the appliance must not be considered as normal household refuse but that it must instead be delivered to an appropriate collection centre for the recycling of electric and electronic appliances. Make sure that this appliance is disposed of correctly and you too will be making your contribution to the prevention of negative effects on health and the environment, which could otherwise be caused by inadequate disposal. Recycling materials helps to preserve our natural resources. For more information about how to recycle this product, you can contact your local council office, local refuse disposal service or the retailer from whom you purchased the appliance.
- Before carrying out any installation or adjustment process, be sure to have read and thoroughly understood the warnings in this manual.
- The company cannot be held liable for any damage to people or property resulting from failure to respect the instructions concerning safety, installation and maintenance contained in this manual.
- The power cord of this appliance must never be replaced by the user. In the event of damage, switch off the appliance and only contact professionally qualified technicians for its replacement.
- Should you decide to no longer use this type of appliance, we recommend that you make it inoperative: unplug the appliance from the mains socket and cut off the power cord.
- All defects and/or anomalous machine behaviour should be reported immediately to authorized installation and/or maintenance personnel.
- Before connecting the machine, check that electrical power supply corresponds to the specifications on the data plate.
- Should the machine plug not be compatible with your socket, have the plug replaced with a suitable type by a qualified technician, who should also check that the section of the wires supplying the power outlet is suitable for the machine power requirements.
- Avoid use of multiple-plug adapters and extension cords.



- The ground wire must be connected; the electrical system must meet the standards set by local safety laws and regulations.
- The machine must be installed only by authorized, qualified personnel.
- Check that the machine components have suffered no damage during shipping; in the case defects or anomalies are found, interrupt installation and request replacement.

## APPLICATIONS AND USE

---

- This grinder dispenser has been devised for professional use by trained personnel.
- The grinder/dispenser must be used only for the application for which it was designed; that is, grinding roasted coffee beans. Any other use must be considered improper and therefore dangerous.
- The manufacturer shall not be held responsible for damages deriving from improper, erroneous or unreasonable use of the machine.
- The appliance must not be used by children or people with reduced, physical, sensorial or mental abilities. It must also never be used by people without the necessary skills and experience unless under supervision or during training. Do not allow children to play with this equipment at any time.
- The machine is not designed for use in extreme environmental conditions and in any case at temperatures outside the  $-5^{\circ}\text{C}$  to  $+40^{\circ}\text{C}$  range.
- The user must respect the general safety regulations in force in the country in which the machine is installed as well as the rules of common sense, and shall be responsible for ensuring that periodic machine maintenance is correctly performed.
- The persons installing and using the machine and performing machine maintenance shall inform the manufacturer of any defects or damages due to wear that might jeopardize the original safety features of the machine.
- The installer shall be responsible for checking that the machine is installed in tolerable environmental conditions such as to not to create health or safety hazards for those using the machine.
- Any responsibility deriving from components manufactured and installed on the machine shall be assumed by the respective manufacturers; responsibility attributable to the persons authorized to use the machine shall be assumed by the customer.
- The machine is designed for 24-hour intermittent service. The machine components are designed and built to ensure at least 1000 hours' operation.
- Good cleaning and maintenance also contribute to determining long machine life.

## BASIC SAFETY PRECAUTIONS

---

- Never touch the machine with damp or wet hands.
- Never use the machine when barefoot.
- Never attempt to unplug the machine by pulling the power cord or the machine itself.
- Do not expose the machine to atmospheric agents (sun rain, etc..).
- Never allow the machine to be used by children or by irresponsible persons.
- Always use the appliance on a flat, steady surface that is able to support its weight.
- Always unplug the machine from the power supply before performing any cleaning or maintenance operations.
- Do not use jets of water or detergents for cleaning.
- In the case of machine breakdown or malfunction switch the machine off and do not tamper with it.
- For repairs contact only an authorized service center and request use of original spare parts.
- Non-observance of the above precautions may make the machine unsafe for future use.
- Do not leave the machine switched on when not in use. Unplug the machine when not in use.
- Do not obstruct the ventilation and/or heat dissipation openings and/or slits nor introduce water or any other liquids into same.
- Do not obstruct the ventilation and/or heat dissipation openings and/or slits nor introduce water or any other liquids into same.
- Never insert spoons, forks or other utensils into the pouring lip **(8)**, or into the coffee grain container **(2)** for any reason whatsoever while the appliance is operating.
- Always switch off the appliance before removing blockages from the pouring lip.
- Never place the appliance in water or other liquids.
- Should a foreign body stop the motor, switch the machine off immediately and contact an authorized service center.
- Should a foreign body stop the motor, switch the machine off immediately and contact an authorized service center.



### **WARNING**

Those machines bearing the “EL. MOTOR WITH THERMAL PROTECTION” indication are equipped with device which protects the motor from overheating. When this device is engaged, do not attempt to operate the machine: isolate the machine from the power supply and eliminate the cause of the trouble before re-starting.

## IMPORTANT INFORMATION

---

This manual is designed for use by the user of the machine and/or by those performing maintenance on the machine and must be considered an integral part of the machine itself.

This manual provides information concerning correct use and appropriate maintenance of the machine, as well as useful indications for ensuring user safety.

This manual must be preserved for the entire working life of the machine and must be transferred, together with the machine, to future users or owners. The information contained in this manual must not be construed as substituting the safety prescriptions and the technical data regarding installation and operation carried on the machine itself and on the packing materials.

This manual reflects the current state of machine technology and shall not be considered obsolete solely because updated at a later date on the basis of acquired experience.

The manufacturer reserves the right to make modifications to this manual with no obligation to update previous versions except in exceptional cases.

Improper use of the machine or use in manners other than those described in this manual shall invalidate the guarantee conditions and shall release the manufacturer from all responsibility, the machine must be used only by adult, responsible persons.

This manual must be preserved with care: the manufacturer declines all responsibility for damages to persons or things or to the machine itself deriving from improper use or use in manners other than those described herein or in the case the maintenance and safety precautions described herein are not respected.

## PRESERVATION OF THE MANUAL

---

This manual must at all times be available to the machine user and/or the persons performing maintenance on the machine, who must be provided with full information regarding correct machine use and residual risks.

This manual must be preserved in a clean, dry place away from sources of heat. This manual must be used in a manner such as not to damage any part of its contents.

Do not remove, tear out or re-write any part of this manual for any reason.

In case of loss of this manual or for further information, please contact your area retailer or the manufacturer.

---

# 1

## INFORMAZIONI GENERALI / GENERAL INFORMATION / INFORMATIONS GENERALES / INFORMAZIONI GENERALI / INFORMACIÓN GENERAL

---

### IT

**COSTRUTTORE:**

SIMONELLI GROUP - Via E. Betti, 1 - Belforte del Chienti, Macerata (MC) - Italy

**MACINADOSATORE MODELLO:** MDXS ON DEMAND

---

### EN

**MANUFACTURER:**

SIMONELLI GROUP - Via E. Betti, 1 - Belforte del Chienti, Macerata (MC) - Italy

**COFFEE GRINDER MODEL:** MDXS ON DEMAND

---

### FR

**FABRICANT:**

SIMONELLI GROUP - Via E. Betti, 1 - Belforte del Chienti, Macerata (MC) - Italy

**MOULIN-DOSEUR MODELE:** MDXS ON DEMAND

---

### DE

**HERSTELLER:**

SIMONELLI GROUP - Via E. Betti, 1 - Belforte del Chienti, Macerata (MC) - Italy

**DOSIERMÜHLE MODELL:** MDXS ON DEMAND

---

### ES

**FABRICANTE:**

SIMONELLI GROUP - Via E. Betti, 1 - Belforte del Chienti, Macerata (MC) - Italy

**MOLINILLO-DOSIFICADOR MODELO:** MDXS ON DEMAND

---

---

# 2

## DATI TECNICI / TECHNICAL DATA / DONNEES TECHNIQUES / TECHNISCHE DATEN / DATOS TÉCNICOS

---

### IT

Per identificare l'apparecchio, leggere la sigla che appare subito dopo "MATRICOLA" impressa sulla targhetta applicata sul presente manuale o sull'apparecchio stesso e scegliere la tensione corrispondente.

---

### EN

In order to identify the appliance, read the code after "MATRICOLA" (serial number) on the label applied on this manual or on the appliance itself and select the corresponding voltage.

---

### FR

Pour identifier l'appareil, lire le sigle qui apparaît tout de suite après "NUMERO DE SIRE" imprimé sur l'étiquette appliquée dans ce manuel ou sur l'appareil et choisir le voltage correspondant.

---

### DE

Zur Identifizierung des Geräts ist die Zeichenfolge abzulesen, die hinter "SERIENNUMMER" auf dem in diesem Handbuch eingeklebten bzw. am Gerät selbst angebrachten Typenschild erscheint. Die entsprechende Spannung wählen.

---

### ES

Para identificar el aparato, leer el código que parece inmediatamente después de "NÚMERO DE SERIE" estampado en la placa aplicada en el presente manual o en el aparato en cuestión y elegir la tensión correspondiente.

---



**IT**

MODELLO	MDXS ON DEMAND		
Voltaggio (V)	110	220	220/240
Frequenza (Hz)	60	60	50
Assorbimento (W)	960	630	575
Giri al minuto (rpm)*	1090	1080	900
Produttività (kg/h)	13	13	13
Peso a vuoto (kg)	12	12	12
Altezza (mm)	585	585	585
Larghezza (mm)	212	212	212
Profondità (mm)	290	290	290

**FR**

MODELE	MDXS ON DEMAND		
Voltage (V)	110	220	220/240
Fréquence (Hz)	60	60	50
Absorption (W)	960	630	575
Tours/minute (rpm)*	1090	1080	900
Productivité (kg/h)	13	13	13
Poids à vide (kg)	12	12	12
Hauteur (mm)	585	585	585
Largeur (mm)	212	212	212
Profondeur (mm)	290	290	290

**ES**

MODELO	MDXS ON DEMAND		
Voltaje (V)	110	220	220/240
Frecuencia (Hz)	60	60	50
Absorción (W)	960	630	575
Rev. por min. (rpm)*	1090	1080	900
Productividad (kg/h)	13	13	13
Peso en vacío (kg)	12	12	12
Altura (mm)	585	585	585
Anchura (mm)	212	212	212
Profundidad (mm)	290	290	290

**EN**

MODEL	MDXS ON DEMAND		
Voltage (V)	110	220	220/240
Frequency (Hz)	60	60	50
Power consumption (W)	960	630	575
RPM *	1090	1080	900
Productivity (kg/h)	13	13	13
Weight when empty (kg)	12	12	12
Height (mm)	585	585	585
Width (mm)	212	212	212
Depth (mm)	290	290	290

**DE**

MODELL	MDXS ON DEMAND		
Spannung (V)	110	220	220/240
Frequenz (Hz)	60	60	50
Leistungsaufnahme (W)	960	630	575
Drehgeschwindigkeit (rpm)*	1090	1080	900
Produktionsleistung (kg/h)	13	13	13
Leergewicht (kg)	12	12	12
Höhe (mm)	585	585	585
Breite (mm)	212	212	212
Tiefe (mm)	290	290	290

**IT** (\*) Il valore indicato si riferisce ai giri effettivi delle macine

**EN** (\*) The value given is for the actual revolutions of the burrs.

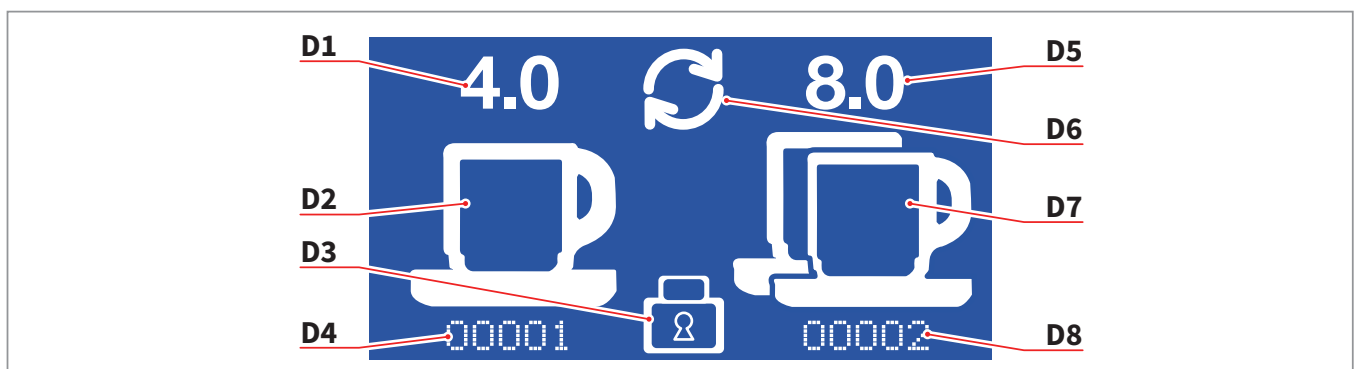
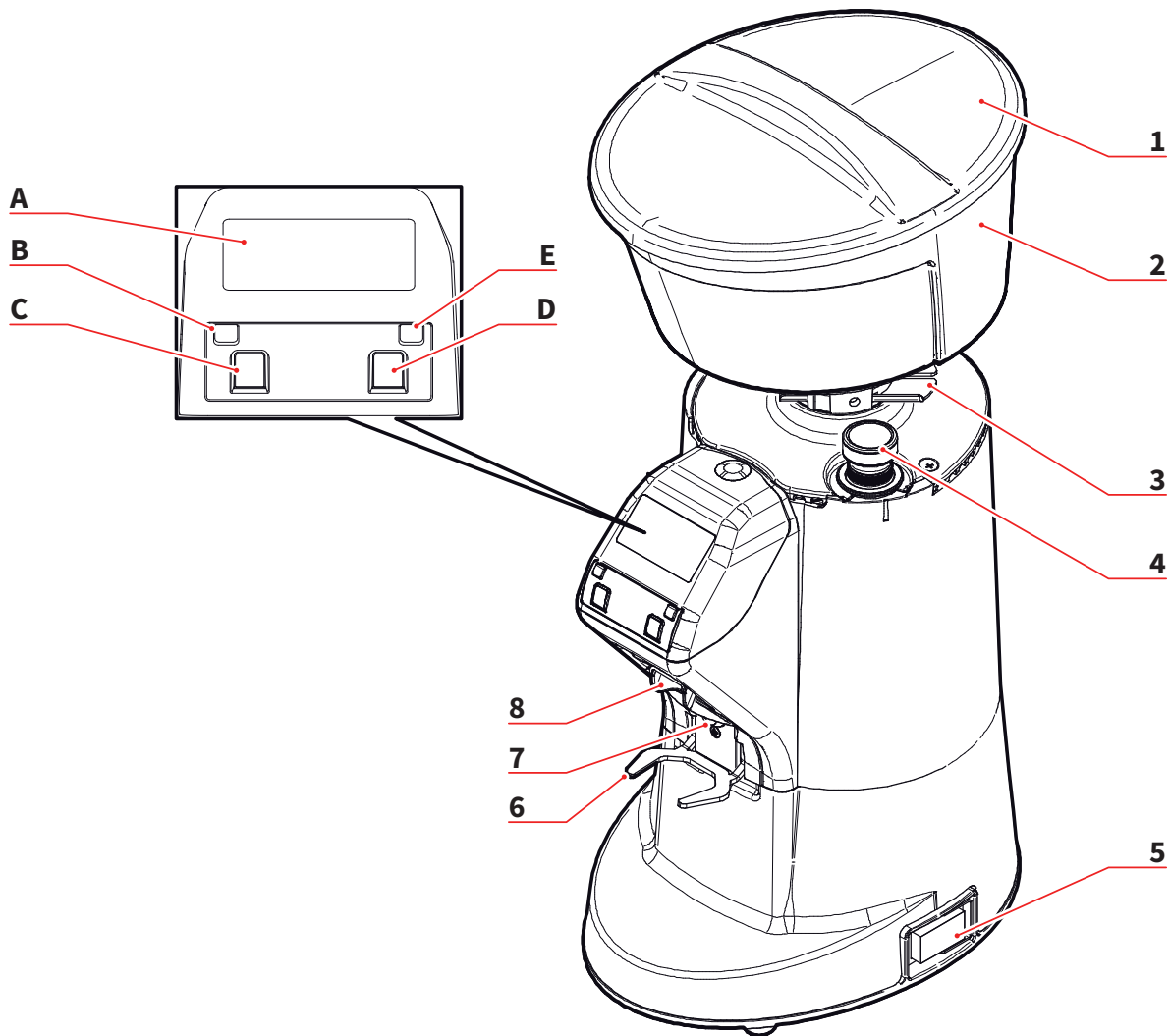
**FR** (\*) La valeur indiquée se réfère aux tours effectifs des meules

**DE** (\*) Der angegebene Wert bezieht sich auf die effektive Drehzahl der Mahlwerke

**ES** (\*) El valor indicado se refiere a las revoluciones reales de los molinillos

# 3

## DESCRIZIONE DELL'APPARECCHIO / APPLIANCE DESCRIPTION / DESCRIPTION DE L'APPAREIL / BESCHREIBUNG DES GERÄTS / DESCRIPCIÓN DEL APARATO



**IT**

- 1 Coperchio contenitore
- 2 Contenitore caffè in grani
- 3 Linguetta contenitore caffè
- 4 Pomello regolazione macinatura
- 5 Interruttore ON/OFF
- 6 Forcella porta filtro
- 7 Pulsante attivazione macinatura
- 8 Bocchetta di erogazione

- A Display LCD
- B Tasto decremento
- C Tasto luminoso 1 caffè
- D Tasto luminoso 2 caffè
- E Tasto incremento

- D1 Tempo erogazione 1 caffè
- D2 Icona erogazione 1 caffè
- D3 Lucchetto (progr. bloccata)
- D4 Contatore dosi 1 caffè
- D5 Tempo erogazione 2 caffè
- D6 Erogazione continua
- D7 Icona erogazione 2 caffè
- D8 Contatore dosi 2 caffè

**DE**

- 1 Behälterdeckel
- 2 Kaffeebohnenbehälter
- 3 Lasche Kaffeebohnen-behälter
- 4 Handknopf Einstellung Mahlfeinheit
- 5 Einschalter
- 6 Siebträgergabel
- 7 Mahl-Taste
- 8 Ausgabestutzen

- A LCD-Display
- B Taste Minus
- C Leuchttaste 1 Tasse Kaffee
- D Leuchttaste 2 Tassen Kaffee
- E Taste Plus

- D1 Ausgabezeit 1 Tasse Kaffee
- D2 Ikone 1 Tasse Kaffee
- D3 Vorhängeschloss (Progr. gesperrt)
- D4 Dosierzähler 1 Kaffee
- D5 Ausgabezeit 1 Tassen Kaffee
- D6 Dauerbetrieb aktiv
- D7 Ikone 1 Tassen Kaffee
- D8 Dosierzähler 2 Kaffees

**EN**

- 1 Container cover
- 2 Coffee bean container
- 3 Coffee bean container tab
- 4 Grinding adjusting knob
- 5 ON/OFF switch
- 6 Filter holder fork
- 7 Grinding start key
- 8 Dispensing spout

- A LCD Display
- B Decreasing key
- C Luminous key for 1 coffee
- D Luminous key for 2 coffee
- E Increasing key

- D1 1 coffee dispensing time
- D2 1 coffee dispensing icon
- D3 Padlock (locked progr.)
- D4 1 coffee dose counter
- D5 2 coffee dispensing time
- D6 Continuous dispensing
- D7 2 coffee dispensing icon
- D8 2 coffee dose counter

**ES**

- 1 Tapa contenedor
- 2 Contenedor café en grano
- 3 Lengüeta contenedor café
- 4 Pomo regulación molienda
- 5 Interruptor ON/OFF
- 6 Horquilla portafiltro
- 7 Botón activación molienda
- 8 Boquilla de erogación

- A Display LCD
- B Botón disminución
- C Botón luminoso 1 café
- D Botón luminoso 2 cafés
- E Botón aumento

- D1 Tiempo erogación 1 café
- D2 Icono erogación 1 café
- D3 Candado (progr. bloqueada)
- D4 Contador dosis 1 café
- D5 Tiempo erogación 2 cafés
- D6 Erogación continua activa
- D7 Icono erogación 2 cafés
- D8 Contador dosis 2 cafés

**FR**

- 1 Couvercle récipient
- 2 Récipient pour café en grains
- 3 Languette récipient pour café en grains
- 4 Pommeau réglage mouture
- 5 Interrupteur ON/OFF
- 6 Fourche porte-filtre
- 7 Poussoir d'actionnement mouture
- 8 Bouche de distribution

- A Afficheur LCD
- B Touche décrément
- C Touche lumineuse 1 café
- D Touche lumineuse 2 cafés
- E Touche incrément

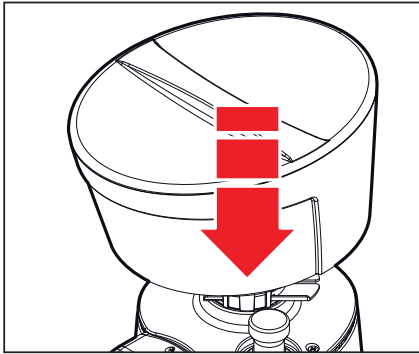
- D1 Temps distribution 1 café
- D2 Afficheur distribution 1 café
- D3 Canevas (progr. bloquée)
- D4 Compteur doses 1 café
- D5 Temps distribution 1 cafés
- D6 Distribution continu active
- D7 Afficheur distribution 2 cafés
- D8 Compteur doses 2 cafés

# 4

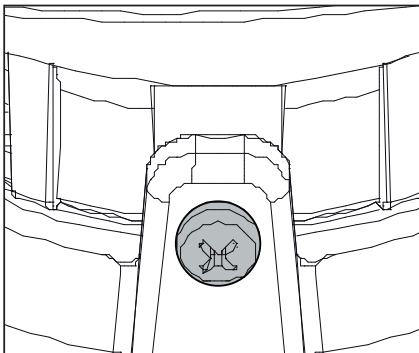
## BLOCCAGGIO CONTENITORE / LOCKING THE CONTAINER / BLOCAGE RECIPIENT / VERRIEGELUNG DES BEHÄLTERS / BLOQUEO DEL CONTENEDOR

### IT

Prima di avviare il funzionamento, è necessario montare il contenitore **(2)** del caffè in grani.



Inserire il contenitore **(2)** nella relativa sede, posizionandolo con il foro in asse con la vite posta nella parte posteriore dell'apparecchio.



Avvitare la vite di bloccaggio.

### EN

Before operating the appliance, it is necessary to fit the coffee bean container **(2)**.

Insert the container **(2)** into its seat, positioning it so that the hole lines up with the screw on the back part of the appliance.

Tighten the lock screw.

---

**FR**

Avant de faire démarrer la machine, il est nécessaire d'installer le récipient **(2)** du café en grains.

Introduisez le récipient **(2)** dans son siège, en le positionnant avec le trou dans l'axe de la vis située sur la partie arrière de l'appareil.

Vissez la vis de blocage.

**DE**

Bevor das Gerät in Betrieb genommen werden kann, muss der Kaffeebohnenbehälter **(2)** montiert werden.

Den Behälter **(2)** in seine Aufnahme einsetzen, wobei die Öffnung mit der Schraube auf der Rückseite des Geräts gefluchtet sein muss.

Die Feststellschraube anziehen.

**ES**

Antes de poner en marcha, es necesario montar el contenedor **(2)** del café en grano.

Introducir el contenedor **(2)** en su alojamiento, colocándolo con el orificio alineado con el tornillo ubicado en la parte trasera del aparato.

Atornillar el tornillo de bloqueo.

# 5

## ISTRUZIONI D'USO / INSTRUCTIONS FOR USE / INSTRUCTIONS D'EMPLOI / BETRIEBSANLEITUNG / INSTRUCCIONES DE USO

### IT

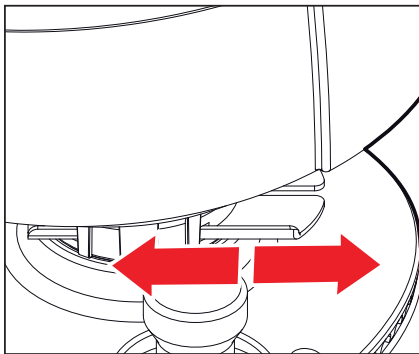
#### 5.1 PREMESSA

Questo apparecchio è in grado di fare dosi basate sul tempo di macinatura. E' necessario altresì, mettere a punto la macchina prima di cominciare a lavorare, determinando anzi tutto il tipo di miscela di caffè (più o meno tostata) e il grado di macinatura. Si procede poi, alla programmazione del tempo di macinatura per ciascun tasto dose pesando il prodotto di macinatura.

### EN

#### 5.1 INTRODUCTION

This appliance can make doses based on the grinding time. It is furthermore necessary to set up the appliance before operating, by determining first of all the coffee blend type (more roasted or less) and the degree of grinding. Grinding time is then set for each dose key by weighting the grinding product.



- Dopo aver effettuato il collegamento elettrico, spingere la linguetta **(3)** alla base del contenitore caffè in grani **(2)** per chiuderlo.
- Togliere il coperchio **(1)** dal contenitore **(2)** e riempirlo di caffè in grani.
- Portare l'interruttore **(5)** in posizione di accensione.
- Tirare la linguetta **(3)** permettendo il passaggio dei grani di caffè.

- After having plugged the appliance in, push the tab **(3)** at the bottom of the coffee bean container **(2)** to close it.
- Remove the cover **(1)** from the container **(2)** and fill it with coffee beans.
- Bring the switch **(5)** to on position.
- Pull the tab **(3)** permitting passage of coffee beans.

## FR

### 5.1 INTRODUCTION

Cet appareil est en mesure de préparer des doses basées sur le temps de mouture.

Il est nécessaire de régler la machine avant de commencer à travailler, en déterminant avant tout le type de mélange de café (plus ou moins grillé) et le degré de mouture.

On procède ensuite à la programmation du temps de mouture pour chaque touche dose en pesant le produit de la mouture.

- Après avoir effectué le branchement électrique, poussez la languette **(3)** à la base du récipient de café en grains **(2)** pour le fermer.
- Retirez le couvercle **(1)** du récipient **(2)** et le remplissez-le avec du café en grains.
- Placez l'interrupteur **(5)** en position de mise en marche.
- Tirez la languette **(3)** pour permettre le passage des grains de café.

## DE

### 5.1 EINFÜHRUNG

Dieses Gerät ist in der Lage, präzise Dosismengen aufgrund der Mahldauer herzustellen.

Bevor der Betrieb aufgenommen wird, muss die Maschine jedoch aufgrund der Beschaffenheit der Kaffeemischung (mehr oder weniger starke Röstung) und des gewünschten Feinheitsgrads eingestellt werden. Danach kann die Mahldauer programmiert werden, indem für jede Dosis-Taste das Mahlgut gewogen wird.

- Nachdem das Gerät an das Stromnetz angeschlossen wurde, die Lasche **(3)** am Fuß des Kaffeebohnenbehälters **(2)** drücken, um diesen zu schließen.
- Den Deckel **(1)** vom Behälter **(2)** abnehmen und Kaffeebohnen einfüllen.
- Den Schalter **(5)** einschalten.
- Die Lasche **(3)** ziehen, um das Durchrutschen von Kaffeebohnen zu ermöglichen.

## ES

### 5.1 PREMISA

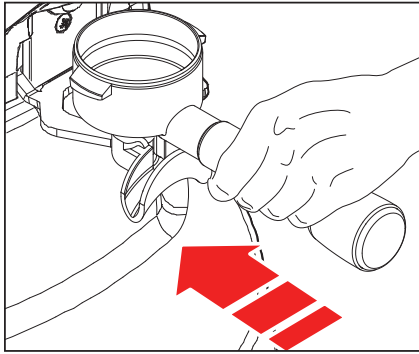
Este aparato es capaz de preparar dosis basadas en el tiempo de molienda.

Así mismo, es necesario poner a punto la máquina antes de empezar el trabajo, determinando el tipo de mezcla de café (más o menos tostado) y el grado de molienda.

A continuación, se pasa a la programación del tiempo de molienda para cada botón de dosis pesando el producto que se quiere moler.

- Después de haber efectuado la conexión eléctrica, empujar la lengüeta **(3)** ubicada en la base del contenedor de café en grano **(2)** para cerrarlo.
- Retirar la tapa **(1)** del contenedor **(2)** y rellenarlo con café en grano.
- Colocar el interruptor **(5)** en la posición de encendido.
- Tirar de la lengüeta **(3)** permitiendo el paso de los granos de café.

## IT

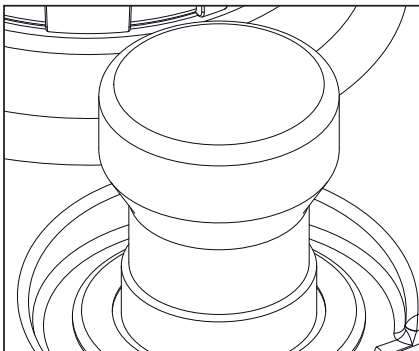


Selezionare la dose singola o doppia tramite i rispettivi pulsanti **(C)** o **(D)**. Appoggiare la coppa portafiltro sulla forcella **(6)** e inserirla a contrasto con la ritenzione del portafiltro, spingerla in avanti fino al contatto con il pulsante **(7)** per far fuoriuscire il caffè macinato dalla bocchetta di erogazione **(8)**. L'erogazione cesserà trascorso il tempo impostato nella programmazione.

## EN

Select the single or double dose through the corresponding keys **(C)** or **(D)**. Place the filter holder onto the fork **(6)** and insert it against the filter holder restraint, push it forward until it touches the key **(7)** to dispense the ground coffee from the corresponding spout **(8)**. Dispensing stops once the preset time has elapsed.

### 5.2 REGOLAZIONE MACINATURA



Per regolare la macinatura, agire sul pomello di regolazione **(4)**, ruotandolo in senso orario per fare la polvere più fine o in senso antiorario per aumentare la grana come riportato sul pomello. La regolazione è senza punti di fermo; deve essere effettuata gradualmente, macinando un po' di caffè ogni 2 tacche al massimo.

Se il pomello viene ruotato di un giro a motore fermo, la macchina può bloccarsi.

### 5.2 GRINDING SETTING

Set grinding by means of the adjusting knob **(4)**, by rotating it clockwise to make powder finer or anticlockwise to increase the size of its grain as shown on the knob. Setting is stepless; it is to be gradually performed, by grinding some coffee every two notches maximum.

When knob is rotated of a turn with stationary motor, the appliance may stop.



Sélectionnez la dose individuelle ou double à travers les poussoirs respectifs **(C)** ou **(D)**. Posez la coupe porte-filtre sur la fourche **(6)** et introduisez-la en contraste avec la retenue du porte-filtre, poussez-la en avant jusqu'au contact avec le poussoir **(7)** pour faire sortir le café moulu de la bouche de distribution **(8)**. La distribution cessera au terme du temps programmé dans la programmation.

## 5.2 RÉGLAGE MOUTURE

Pour régler la mouture, agir sur le pommeau de réglage **(4)**, en le tournant vers la droite pour faire la poudre plus fine et vers la gauche pour augmenter le grain comme reporté sur le pommeau. Le réglage est sans cran d'arrêt; il doit être effectué graduellement, en moulant un peu de café tous les 2 crans au maximum.

Si le pommeau est tourné d'un tour avec le moteur arrêté, la machine peut se bloquer.

Anhand der entsprechenden Tasten **(C)** oder **(D)** Einzel- oder doppelte Dosis anwählen. Danach den Siebträger an der Gabel **(6)** auflegen und gegen den Widerstand der Halterung des Siebträgers nach bis zum Anschlag an der Taste **(7)** nach vorn drücken, so dass der gemahlene Kaffee aus dem Stutzen austritt **(8)**. Die Abgabe von Kaffeepulver wird bei Ablauf der programmierten Dauer unterbrochen.

## 5.2 EINSTELLUNG DER MAHLFEINHEIT

Zur Einstellung der Mahlfeinheit am entsprechenden Handknopf **(4)** drehen. Durch Drehen im Uhrzeigersinn wird das Mahlgut feiner, bei Drehen gegen den Uhrzeigersinn gröber, wie auch auf dem Handknopf selbst markiert ist. Die Einstellung erfolgt stufenlos. Es empfiehlt sich, höchstens bei jeder 2. Kerbe etwas Kaffee zu mahlen.

Wenn der Drehknopf bei stehendem Motor um eine Umdrehung gedreht wird, kann die Maschine blockieren.

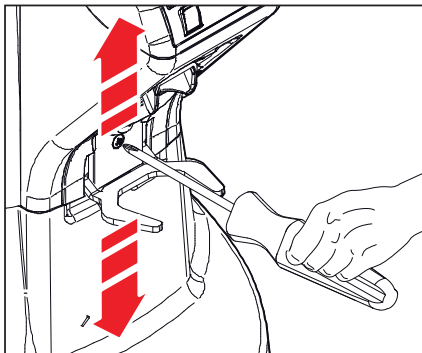
Seleccionar la dosis única o doble mediante los correspondientes botones **(C)** o **(D)**. Apoyar la copa portafiltro sobre la horquilla **(6)** y encajarla en el retén del portafiltro, empujarla hacia adelante hasta que entre en contacto con el botón **(7)** para hacer salir el café molido por la boca de erogación **(8)**. La erogación cesará transcurrido el tiempo configurado en la programación.

## 5.2 REGULACIÓN MOLIENDA

Para regular la molienda, maniobrar el pomo de regulación **(4)**, girándolo en sentido horario para obtener un polvo más fino o en sentido antihorario para aumentar el tamaño como figura en el pomo. La regulación no es mediante sistema de resorte; deberá efectuarse gradualmente, moliendo un poco de café cada 2 muescas al máximo.

Si se gira completamente el pomo con el motor parado, la máquina podría bloquearse.

### 5.3 REGOLAZIONE ALTEZZA FORCELLA PORTA FILTRO



Con l'ausilio di un cacciavite a croce allentare la vite di fissaggio della forcella porta filtro **(6)**. È consigliabile non svitare completamente la vite.

Sollevare o abbassare la forcella in modo da regolarla in base alle dimensioni del portafiltro.

Una volta trovata la posizione corretta, stringere la vite di fissaggio della forcella **(6)**.

La macchina è dotata di dispositivo di ritenuta del portafiltro.

### 5.3 FILTER HOLDER FORK HEIGHT ADJUSTMENT

By using a crosshead screwdriver, loosen the fastening screw of the filter holder fork **(6)**. It is recommended not to unscrew the screw completely.

Raise or lower the fork in order to adjust it according to filter holder dimensions.

Once having reached the correct position, tighten the fork fastening screw **(6)**.

The appliance is equipped with a filter holder retaining device.

### 5.4 PROGRAMMAZIONE MACCHINA

#### 5.4.1 ACCENSIONE MACCHINA

Alla 1° accensione, l'apparecchio risulterà predisposto nella modalità impostata all'uscita della fabbrica e comunque, negli avvii successivi, si predisporrà sempre come nell'ultima modalità precedente lo spegnimento.

All'accensione della macchina comparirà la seguente schermata per 7,5 secondi.

### 5.4 APPLIANCE SETTING

#### 5.4.1 APPLIANCE SWITCH-ON

When switching the appliance on for the first time, it is configured in the mode set by the factory and anyway, in the following uses, it will maintain the last mode previous to switch off.

When switching the appliance on, the following screen is shown for 7.5 seconds.

### 5.3 REGLAGE HAUTEUR FOURCHE PORTE-FILTRE

A l'aide d'un tournevis en croix, desserrer la vis de fixation de la fourche porte-filtre **(6)**. Il est conseillé de ne pas dévisser entièrement la vis.

Soulever ou baisser la fourche de façon à la régler en fonction des dimensions du porte-filtre. Après avoir trouvé la position correcte, serrer la vis de fixation de la fourche **(6)**.

La machine est munie d'un dispositif de retenue du porte-filtre.

### 5.4 PROGRAMMATION MACHINE

#### 5.4.1 MISE EN MARCHÉ MACHINE

Lors de sa première mise en marche, l'appareil est prédisposé dans la modalité programmée en usine et, dans tous les cas, lors des mises en marche successives, il se positionnera toujours dans la dernière modalité qui précède l'arrêt de la machine.

Lors de la mise en marche de la machine, la page vidéo suivante s'affiche pendant 7,5 secondes.

### 5.3 EINSTELLUNG DER HÖHE DER SIEBTRÄGERGABEL

Mithilfe eines Kreuzschlitz-Schraubenziehers die Befestigungsschraube der Siebträgergabel lockern **(6)**. Es empfiehlt sich, die Schraube nicht ganz herauszuschrauben.

Die Gabel höher oder tiefer stellen, bis sie den Abmessungen des Siebträgers entspricht.

Nachdem die richtige Position gefunden wurde, die Befestigungsschraube der Gabel **(6)** wieder festziehen. Die Maschine ist mit einer Siebträger-Rückhaltevorrichtung ausgestattet.

### 5.4 PROGRAMMIERUNG DER MASCHINE

#### 5.4.1 EINSCHALTEN DER MASCHINE

Beim 1. Einschalten läuft die Maschine mit der Betriebsart an, die fabrikseitig eingestellt wurde. Bei jedem späteren Einschalten läuft die Maschine immer mit der Betriebsart an, auf die sie im Moment des Abschaltens eingestellt war.

Beim Einschalten der Maschine erscheint 7,5 Sekunden lang die folgende Display-Anzeige.

### 5.3 REGULACIÓN ALTURA HORQUILLA PORTAFILTRO

Con la ayuda de un destornillador de cruz, aflojar el tornillo de fijación de la horquilla portafiltro **(6)**. Se recomienda no desatornillar totalmente el tornillo.

Levantar o bajar la horquilla para ajustarla en función de las dimensiones del portafiltro.

Una vez encontrada la posición correcta, apretar el tornillo de fijación de la horquilla **(6)**.

La máquina está equipada con un dispositivo de retén del portafiltro.

### 5.4 PROGRAMACIÓN MÁQUINA

#### 5.4.1 ENCENDIDO MÁQUINA

Al encender por primera vez, el equipo se encontrará en la modalidad configurada de fábrica y, en todo caso, al poner en marcha sucesivamente, se colocará siempre en la última modalidad anterior al apagado.

Al encender la máquina, aparecerá la siguiente pantalla por 7,5 segundos.



## IT

### 5.4.2 EROGAZIONE E REGOLAZIONE DOSI (DISPLAY)

Premendo il tasto una dose (**C**) questo si illumina e la tazzina si riempie (**D2**) durante l'erogazione.

Premendo il pulsante avvio macinatura (**7**) per più di 0,3 secondi si attiva l'erogazione e il countdown fino a zero.

A erogazione ultimata, dopo 1 secondo, lo zero ritorna al valore impostato.

Il contatore dosi singole viene incrementato di 1.

Premendo il tasto due dosi (**D**) questo si illumina e la tazzina si riempie (**D7**) durante l'erogazione.

Premendo il pulsante avvio macinatura (**7**) per più di 0,3 secondi si attiva l'erogazione e il countdown fino a zero.

A erogazione ultimata, dopo 1 secondo, lo zero ritorna al valore impostato.

Il contatore dosi doppie viene incrementato di 1.

Premendo i pulsanti incremento (**E**) e decremento (**B**) si incrementa o decrementa il tempo di erogazione della dose correntemente selezionata.

## EN

### 5.4.2 DOSE DISPENSING AND SETTING (DISPLAY)

By pressing the key for one dose (**C**) this lights up and the cup is filled (**D2**) during dispensing.

By pressing the grinding start key (**7**) for more than 0.3 seconds, dispensing and countdown until zero are activated.

Once dispensing is completed, after 1 second, the zero returns to set value.

The single dose counter is increased of 1.

By pressing the key for two doses (**D**) this lights up and the cup is filled (**D7**) during dispensing.

By pressing the grinding start key (**7**) for more than 0.3 seconds, dispensing and countdown until zero are activated.

Once dispensing is completed, after 1 second, the zero returns to set value.

The double dose counter is increased of 1.

By pressing the increasing key (**E**) and decreasing one (**B**) the dispensing time of the properly selected dose is increased or decreased.

#### 5.4.2 DISTRIBUTION ET RÉGLAGE DOSES (AFFICHEUR)

En appuyant sur la touche une dose **(C)** cette dernière s'allume et la tasse se remplit **(D2)** pendant la distribution.

En appuyant sur le poussoir Démarrage mouture (7) pendant plus de 0,3 secondes, la distribution démarre ainsi que le compte à rebours jusqu'à zéro.

A la fin de la distribution, au bout d'1 seconde, le zéro revient à la valeur programmée.

Le compteur doses individuelles est incrémenté de 1.

En appuyant sur la touche deux doses **(D)** cette dernière s'allume et la tasse se remplit **(D7)** pendant la distribution.

En appuyant sur le poussoir Démarrage mouture **(7)** pendant plus de 0,3 secondes, la distribution démarre ainsi que le compte à rebours jusqu'à zéro.

A la fin de la distribution, au bout d'1 seconde, le zéro revient à la valeur programmée.

Le compteur doses doubles est incrémenté de 1.

En appuyant sur les poussoirs incrément **(E)** et décrément **(B)** on augmente ou diminue le temps de distribution de la dose actuellement sélectionnée.

#### 5.4.2 AUSGABE UND EINSTELLUNG DER DOSEN (DISPLAY)

Wenn die Einzeldosis-Taste **(C)** gedrückt wird, leuchtet diese auf und die Tasse wird bei der Ausgabe **(D2)** gefüllt.

Wenn die Mahl-Taste **(7)** länger als 0,3 Sekunden gedrückt gehalten wird, aktiviert die Maschine die Ausgabe und zählt rückwärts bis auf Null.

Nach Beendigung der Ausgabe wird nach 1 Sekunde anstatt Null wieder der eingestellte Wert angezeigt.

Der Einzeldosen-Zähler wird um 1 erhöht.

Wenn die Doppeldosis-Taste **(D)** gedrückt wird, leuchtet diese auf und die Tasse wird bei der Ausgabe **(D7)** gefüllt.

Wenn die Mahl-Taste **(7)** länger als 0,3 Sekunden gedrückt gehalten wird, aktiviert die Maschine die Ausgabe und zählt rückwärts bis auf Null.

Nach Beendigung der Ausgabe wird nach 1 Sekunde anstatt Null wieder der eingestellte Wert angezeigt.

Der Doppeldosen-Zähler wird um 1 erhöht.

Durch Betätigen der Tasten Erhöhen **(E)** oder Verringern **(B)** kann die derzeit eingestellte Dosis-Ausgabezeit verlängert oder verkürzt werden.

#### 5.4.2 EROGACIÓN Y REGULACIÓN DOSIS (DISPLAY)

Pulsando el botón de una dosis **(C)** este se iluminará y la taza se llenará **(D2)** durante la erogación.

Pulsando el botón de inicio molienda **(7)** por más de 0,3 segundos, se activa la erogación y la cuenta atrás hasta cero.

Cuando termina la erogación, después de 1 segundo, el cero vuelve al valor configurado.

El contador de dosis individuales aumenta de 1.

Pulsando el botón de dos dosis **(D)** este se iluminará y la taza se llenará **(D7)** durante la erogación.

Pulsando el botón de inicio molienda **(7)** por más de 0,3 segundos, se activa la erogación y la cuenta atrás hasta cero.

Cuando termina la erogación, después de 1 segundo, el cero vuelve al valor configurado.

El contador de dosis dobles aumenta de 1.

Pulsando los botones de aumento **(E)** y disminución **(B)** se aumenta o disminuye el tiempo de erogación de la dosis actualmente seleccionada.



## IT

### 5.4.3 ATTIVAZIONE MODALITÀ EROGAZIONE CONTINUA

Premendo e rilasciando entrambi i pulsanti **(C)** e **(D)** si attiva la modalità continua. Si accenderanno entrambi i tasti dose e comparirà il simbolo di erogazione continua **(D6)**.

Premendo il pulsante avvio macinatura **(7)** per più di 0,3 secondi si attiva l'erogazione continua fino al rilascio del pulsante attivazione macinatura **(7)**.

Premendo uno dei pulsanti **(C)** o **(D)** si torna alla modalità automatica di selezione dose.

## EN

### 5.4.3 CONTINUOUS DISPENSING MODE ACTIVATION

By pressing and releasing both keys **(C)** and **(D)** the continuous mode is activated.

Both dose keys light up and the continuous dispensing symbol appears **(D6)**.

By pressing the grinding start key **(7)** for more than 0.3 seconds, continuous dispensing is activated until the grinding activation key **(7)** is released.

By pressing one of the keys **(C)** or **(D)** you return to the automatic mode of dose selection.

### 5.4.4 AZZERAMENTO CONTATORI DOSI

Premendo entrambi i pulsanti **(E)** e **(B)** per più di 5 secondi, si azzerano entrambi i contatori dosi **(D4-D8)**.

### 5.4.4 DOSE COUNTER ZEROING

By pressing both keys **(E)** and **(B)** for more than 5 seconds, both dose counters are reset **(D4-D8)**.

### 5.4.3 ACTIONNEMENT MODALITÉ DISTRIBUTION CONTINUE

En appuyant et en relâchant les deux poussoirs **(C)** et **(D)**, la modalité continue démarre. Les deux touches dose s'allument et le symbole de distribution continue apparaît **(D6)**.

En appuyant sur le poussoir Démarrage mouture **(7)** pendant plus de 0,3 secondes, la distribution continue démarre jusqu'à ce qu'on relâche le poussoir d'actionnement mouture **(7)**.

En appuyant sur l'un des poussoirs **(C)** ou **(D)** on revient sur la modalité automatique de sélection dose.

### 5.4.4 MISE A ZERO COMPTEURS DOSES

En appuyant sur les deux poussoirs **(E)** et **(B)** pendant plus de 5 secondes, les deux compteurs doses se remettent à zéro **(D4-D8)**.

### 5.4.3 AKTIVIERUNG DES DAUERAUSGABEBETRIEBS

Durch gleichzeitiges Drücken und Loslassen der Tasten **(C)** und **(D)** wird der Dauerbetrieb aktiviert. Beide Dosis-Tasten leuchten auf und es erscheint das Symbol für Dauerausgabe (D6).

Wenn die Mahl-Taste **(7)** länger als 0,3 Sekunden gedrückt gehalten wird, aktiviert die Maschine die Dauerausgabe bis die Mahl-Taste **(7)** wieder losgelassen wird.

Durch Drücken einer der beiden Tasten **(C)** oder **(D)** erfolgt das Rückschalten auf den Automatikbetrieb mit Auswahl der Dosis.

### 5.4.4 LÖSCHEN DES DOSEN-ZÄHLERS

Wenn die beiden Tasten **(E)** und **(B)** gleichzeitig mehr als 5 Sekunden lang gedrückt werden erfolgt das Löschen beider Dosen-Zähler **(D4-D8)**.

### 5.4.3 ACTIVACIÓN MODALIDADES EROGACIÓN CONTINUA

Pulsando y soltando ambos botones **(C)** y **(D)** se activa la modalidad continua. Se encenderán ambos botones de dosis y aparecerá el símbolo de erogación continua **(D6)**.

Pulsando el botón de inicio molienda **(7)** por más de 0,3 segundos, se activa la erogación continua hasta que se suelte el botón de activación de la molienda **(7)**.

Apretando uno de los botones **(C)** o **(D)** se vuelve a la modalidad automática de selección dosis.

### 5.4.4 PUESTA A CERO CONTADORES DOSIS

Pulsando ambos botones **(E)** y **(B)** por más de 5 segundos, se ponen a cero ambos contadores de dosis **(D4-D8)**.



**C**

**D**



**E**



**B**



**D3**

## IT

### 5.4.5 BLOCCO FUNZIONI

Premendo e rilasciando entrambi i pulsanti **(E)** e **(B)**, si bloccano tutte le funzioni tranne, la scelta delle dosi e l'avvio dell'erogazione. Inoltre sul display comparirà il simbolo **(D3)**. Premere e rilasciare ulteriormente entrambi i pulsanti **(E)** e **(B)**, per sbloccare tutte le funzioni.

### 5.4.6 ACCENSIONE MACCHINA CON CONTENUTI OCCULTATI

Se si tiene premuto il pulsante **(C)** all'accensione della macchina, si accede ad una schermata dove vengono visualizzati i seguenti dati:

Versione del firmware.

Contatori totali da 1 e 2 dosi non azzerabili.

Al centro, in basso, il contatore tempo erogazione in modalità continua (in secondi), non azzerabile.

Al centro, il valore contrasto del display, regolabile con i tasti **(E)** e **(B)**.

Per tornare alla fase di lavoro premere tasto **(D)** o riavviare la macchina dall'interruttore principale.

## EN

### 5.4.5 FUNCTION BLOCK

By pressing and releasing both keys **(E)** and **(B)**, all functions are blocked except the dose selection and the dispensing start.

Furthermore, display shows the symbol **(D3)**.

After having pressed and released the keys **(E)** and **(B)**, all functions stop.

### 5.4.6 APPLIANCE SWITCH ON WITH CONCEALED CONTENTS

If the key **(C)** is kept pressed, when switching the appliance on, a screen is entered where the following data are displayed:

Firmware version.

1 and 2 dose total counter cannot be reset.

In the middle, at the bottom, the dispensing time counter in continuous mode (in seconds) which can not be reset.

In the middle, the contrast value of the display adjustable with the keys **(E)** and **(B)**.

To return to the working phase press the key **(D)** or reboot the machine from the main switch.





#### 5.4.5 BLOPAGE FONCTIONS

En appuyant et en relâchant les deux poussoirs **(E)** et **(B)**, toutes les fonctions se bloquent sauf le choix des doses et le démarrage de la distribution. Par ailleurs, l'afficheur visualise le symbole **(D3)**.

Appuyez et relâchez de nouveau les deux poussoirs **(E)** et **(B)**, pour débloquent toutes les fonctions.

#### 5.4.6 MISE EN MARCHÉ MACHINE AVEC CONTENUS OCCULTES

Si on maintient le poussoir **(C)** appuyé lors de la mise en marche de la machine, on accède à une page vidéo contenant les données suivantes:

Version du firmware.

Compteurs totaux de 1 et 2 doses non zérotables.

Au centre, en bas, le compteur temps de distribution en modalité continue (en secondes) non zérotable.

Au centre, la valeur contraste de l'afficheur, réglable avec les touches **(E)** et **(B)**.

Pour revenir à la phase de travail, appuyez sur la touche **(D)** ou faites redémarrer la machine avec l'interrupteur principal.

#### 5.4.5 FUNKTIONSSPERRE

Durch gleichzeitiges Drücken und Loslassen der Tasten **(E)** und **(B)** können alle Funktionen mit Ausnahme der Dosis-Wahl und der Ausgabetaste gesperrt werden. Am Display erscheint dann das Symbol **(D3)**.

Um die Funktionen wieder freizugeben, müssen nochmals beide Tasten **(E)** und **(B)** gedrückt werden.

#### 5.4.6 EINSCHALTEN DER MASCHINE MIT VERBORGENEN INHALTEN

Wenn beim Einschalten der Maschine die Taste **(C)** gedrückt gehalten wird, erscheint eine Display-Anzeige mit folgenden Daten:

Firmware-Version.

Nicht löschbare Gesamtsummen-Zähler für 1 und 2 Dosen  
Unten in der Mitte erscheint der nicht löschbare Ausgabe-Timer für den Dauerbetrieb (in Sekunden).

In der Mitte wird der eingestellte Kontrast des Displays angezeigt, der anhand der Tasten **(E)** und **(B)** erhöht oder verringert werden kann.

Zur Wiederaufnahme des normalen Betriebs, die Taste **(D)** drücken oder die Maschine anhand des Hauptschalters aus- und wieder einschalten.

#### 5.4.5 BLOQUEO FUNCIONES

Pulsando y soltando ambos botones **(E)** y **(B)**, se bloquean todas las funciones excepto la selección de las dosis y el inicio de la erogación. Además, en el display aparecerá el símbolo **(D3)**.

Pulsar y soltar de nuevo ambos botones **(E)** y **(B)** para desbloquear todas las funciones.

#### 5.4.6 ENCENDIDO DE LA MÁQUINA CON CONTENIDOS OCCULTOS

Si se mantiene pulsado el botón **(C)** al encender la máquina, se accede a una pantalla en la que se muestran los siguientes datos:

Versión del firmware.

Contadores totales de 1 y 2 dosis que no pueden ponerse a cero.

En el centro, abajo, el contador del tiempo de erogación en modalidad continua (en segundos,) que no puede ponerse a cero.

En el centro, el valor de contraste del display, regulable con los botones **(E)** y **(B)**.

Para volver a la fase de trabajo, pulsar el botón **(D)** o volver a poner en marcha la máquina mediante el interruptor principal.



**D**

**IT**

#### 5.4.7 IMPOSTAZIONE VALORI DI DEFAULT MACCHINA

Se si tiene premuto il pulsante **(D)** all'accensione della macchina, si riportano i valori della macchina a quelli di default pre-installati nella macchina. Ad ogni modo i contatori occultati non verranno azzerati. Il display apparirà come quello all'accensione della macchina.

**EN**

#### 5.4.7 APPLIANCE DEFAULT VALUE SETTING

If the key **(D)** is kept pressed, when switching the appliance on, its values are brought to the preset default ones. The concealed counters are not reset. The display appears as the one of appliance switch on.

## 6

### PULIZIA E MANUTENZIONE / CLEANING AND MAINTENANCE / NETTOYAGE ET ENTRETIEN / PULIZIA E MANUTENZIONE / LIMPIEZA Y MANTENIMIENTO

**IT**



#### **ATTENZIONE**

Disinserire l'apparecchio dalla rete di alimentazione elettrica prima di effettuare qualsiasi operazione di pulizia e manutenzione.

**EN**



#### **ATTENTION**

Unplug the appliance before performing any cleaning and maintenance operation.



#### **ATTENZIONE**

Non tirare il cavo di alimentazione, o l'apparecchio stesso, per staccare la spina dalla presa di alimentazione elettrica.



#### **ATTENTION**

Do not pull the power cable or the appliance itself to disconnect the plug from the power supply socket.

## FR

### 5.4.7 PROGRAMMATION PAR DEFAULT VALEURS MACHINE

Si on appuie sur le poussoir **(D)** lors de la mise en marche de la machine, on rappelle les valeurs pré-programmées par défaut sur la machine.

Dans tous les cas, les compteurs occultés ne seront pas remis à zéro.

L'afficheur apparaît comme celui de la mise en marche de la machine.

## DE

### 5.4.7 EINSTELLUNG DER DEFAULT- WERTE DER MASCHINE

Wenn beim Einschalten der Maschine die Taste **(D)** gedrückt gehalten wird, erfolgt die Rückstellung der Maschine auf die ursprünglich eingestellten Default-Werte.

Die verborgenen Zähler werden nicht gelöscht.

Das Display zeigt die gleiche Anzeige, wie beim Einschalten der Maschine.

## ES

### 5.4.7 CONFIGURACIÓN VALORES PRE- DETERMINADOS DE LA MÁQUINA

Si se mantiene pulsado el botón **(D)** al encender máquina, se restablecen los valores predeterminados de la máquina.

De todas formas, los contadores ocultos no se pondrán a cero.

El display que aparece es igual al de encendido de la máquina.

## FR



### ATTENTION

Débrancher l'appareil du réseau d'alimentation électrique avant d'entreprendre toute opération de nettoyage et d'entretien.

## DE



### ACHTUNG

Bevor Reinigungs- und Wartungsarbeiten vorgenommen werden, muss die Stromversorgung des Geräts unterbrochen werden.

## ES



### ATENCIÓN

Desconectar la máquina de la red de alimentación eléctrica antes de efectuar cualquier operación de limpieza y mantenimiento.



### ATTENTION

Ne tirez pas sur le cordon d'alimentation ou sur l'appareil pour débrancher la fiche de la prise de courant.



### ACHTUNG

Ziehen Sie nicht am Versorgungskabel oder am Gerät selbst, um den Stecker aus der Stromsteckdose zu ziehen.



### ATENCIÓN

No tirar del cable de alimentación o del aparato para desconectar el enchufe de la toma de corriente eléctrica.

**6.1  
PULIZIA**

La pulizia è un aspetto fondamentale per il buon funzionamento del macinadosatore. Un macinadosatore trascurato può avere riflessi negativi non solo sull'estrazione del caffè dalla macchina, ma anche sulla precisione della dose e della macinatura. Prima di procedere alle operazioni di pulizia accertarsi di aver disinserito l'apparecchio dalla rete di alimentazione.

Almeno una volta a settimana, occorre rimuovere il contenitore di caffè in grani **(2)**, svitando l'apposita vite di fissaggio posta nella parte laterale del contenitore stesso avendo prima cura di richiuderlo tirando la linguetta **(3)** e rimuovere lo strato oleoso lasciato dai chicchi di caffè con un panno pulito.

Occorre, altresì pulire frequentemente (anche più volte al giorno) la bocchetta di erogazione con un pennello e un aspirapolvere.

Non eseguendo queste operazioni si rischia di far irrancidire la parte oleosa aromatica contenuta nel caffè con conseguenze negative sui caffè successivi, inoltre la mancanza di pulizia può interferire con la regolarità della dose stessa.

Per la pulizia della base usare un panno inumidito.

**6.1  
CLEANING**

Cleanliness is a basic aspect for the proper functioning of the coffee grinder with a dosing unit. A neglected coffee grinder with dosing unit may have a negative impact on coffee dispensing as well as on the accuracy of dose and grinding. Before cleaning, make sure the appliance is unplugged. At least once a week, remove the coffee bean container **(2)**, by unscrewing the appropriate fastening screw situated on the side of the container, pulling the tab to close it **(3)** and remove the oily coat left by coffee beans by means of a clean cloth.

It is furthermore necessary to often clean (several times a day) the dispensing spout through a brush and a vacuum cleaner.

In case such operations are not carried out, the aromatic oily part contained in coffee may turn rancid with negative consequences on coffee, furthermore the lack of cleanliness may jeopardize regularity of the dose itself.

Clean the base by means of a damp cloth.

## 6.1 NETTOYAGE

Le nettoyage est un aspect fondamental pour le bon fonctionnement du moulin-doseur. Un moulin-doseur négligé peut avoir des effets négatifs sur l'extraction du café mais aussi sur la précision de la dose et de la mouture. Avant de procéder aux opérations de nettoyage, vérifier que l'appareil ait été débranché du courant électrique. Au moins une fois par semaine, il faut retirer le récipient de café en grains **(2)**, en dévissant la vis de fixation située sur la partie latérale du récipient en ayant soin de le refermer en tirant la languette **(3)** et d'éliminer à l'aide d'un chiffon propre la couche huileuse laissée par les grains de café.

Il faut par ailleurs nettoyer fréquemment (voire plusieurs fois par jour) la bouche d'aération à l'aide d'un pinceau et d'un aspirateur.

Si ces opérations ne sont pas effectuées, la partie huileuse aromatique contenue dans le café risque de devenir rance avec des effets négatifs sur les prochains cafés distribués; en outre, le manque de nettoyage interfère avec la régularité de la dose.

Pour le nettoyage de la base, utiliser un chiffon humidifié.

## 6.1 REINIGUNG

Die Sauberkeit ist eine wesentliche Voraussetzung für die einwandfreie Funktion der Dosiermühle. Eine vernachlässigte Dosiermühle wirkt sich ungünstig sowohl auf die Kaffee-Ausgabe der Maschine als auch auf die Genauigkeit der Dosierung und der Mahlfeinheit aus. Bevor Reinigungsarbeiten vorgenommen werden, ist sicherzustellen, dass das Gerät vom Stromnetz getrennt wurde. Mindestens einmal wöchentlich muss der Kaffeebohnenbehälter **(2)** abgenommen werden. Dazu die Befestigungsschraube auf der Rückseite des Behälters lösen, nachdem der durch Ziehen der Lasche **(3)** verschlossen wurde. Den von den Kaffeebohnen hinterlassenen Fettfilm mit einem sauberen Tuch entfernen.

Darüber hinaus muss häufiger (auch mehrmals pro Tag) der Ausgabestutzen mit einem Pinsel und einem Staubsauger gereinigt werden.

Wenn diese Arbeitsgänge nicht regelmäßig vorgenommen werden, besteht die Gefahr, dass der aromatische, ölige Anteil der Kaffeebohnen ranzig wird, was sich negativ auf die Qualität des gebrühten Kaffees auswirkt. Außerdem kann es bei unzureichender Reinigung zu Unregelmäßigkeiten bei der Dosierung kommen.

Verwenden Sie zur Reinigung des Maschinensockels ein feuchtes Tuch.

## 6.1 LIMPIEZA

La limpieza es un aspecto fundamental para el buen funcionamiento del molinillo-dosificador. Un molinillo-dosificador descuidado puede tener consecuencias negativas no solo para la extracción del café de la máquina, sino también para la precisión de la dosis y de la molienda. Antes de efectuar las operaciones de limpieza, asegurarse de haber desconectado el aparato de la red de alimentación. Al menos una vez por semana, es necesario retirar el contenedor de café en grano **(2)**, desatornillando el pertinente tornillo de fijación ubicado en la parte lateral del contenedor en cuestión tras haberlo cerrado tirando de la lengüeta **(3)** y eliminar la capa aceitosa dejada por los granos de café con un paño limpio.

También es necesario limpiar frecuentemente (incluso varias veces al día) la boquilla de erogación con un pincel y una aspiradora.

Si no se efectúan estas operaciones, se corre el riesgo de que la parte oleaginosa aromática contenida en el café se vuelva rancia con consecuencias negativas en los siguientes cafés, además, la falta de limpieza puede interferir con la regularidad de la dosis.

Para la limpieza de la base utilizar un paño humedecido.

**6.2  
MANUTENZIONE****6.2  
MAINTENANCE****ATTENZIONE**

Le operazioni di manutenzione devono essere effettuate da personale specializzato e autorizzato dal costruttore.

**ATTENTION**

Maintenance is to be performed only by skilled personnel authorized by the manufacturer.

**ATTENZIONE**

Non effettuare riparazioni di fortuna o precarie, né tanto meno utilizzare ricambi non originali.

**ATTENTION**

Do not carry out improvised or precarious repairing and do not use non original spare parts.

Per un buon funzionamento dell'apparecchio, è necessario controllare ed eventualmente sostituire le macine almeno ogni 350 Kg di caffè macinato per le macine piane.

In order to ensure a proper functioning of the appliance, check and eventually replace the blades every 350 Kg of ground coffee for flat blades.

**6.2**  
**ENTRETIEN****ATTENTION**

Les opérations d'entretien doivent être effectuées par un technicien spécialisé et autorisé par le fabricant.

**ATTENTION**

N'effectuez pas de réparations au hasard ou précaires, et n'utilisez pas de pièces détachées non originales.

Pour le bon fonctionnement de l'appareil, il est nécessaire de contrôler et éventuellement de remplacer les meules au moins tous les 350 Kg de café moulu pour les meules plates.

**6.2**  
**WARTUNG****ACHTUNG**

Wartungsarbeiten dürfen ausschließlich durch vom Hersteller zugelassenes Fachpersonal ausgeführt werden.

**ACHTUNG**

Keine Not- oder Behelfsreparaturen vornehmen, und keine nicht originalen Ersatzteile verwenden.

Um die einwandfreie Funktion des Geräts sicherzustellen müssen die Flach-Mahlwerke mindestens alle 350 kg gemahlenem Kaffee kontrolliert und eventuell ausgetauscht werden.

**6.2**  
**MANTENIMIENTO****ATENCIÓN**

Las operaciones de mantenimiento deben ser efectuadas por personal especializado y autorizado por el fabricante.

**ATENCIÓN**

No efectuar reparaciones improvisadas o precarias, ni utilizar recambios no originales.

Para un buen funcionamiento del aparato, es necesario controlar y eventualmente sustituir los molinillos al menos cada 350 Kg de café molido para los molinillos planos.

---

# 7

## RICERCA GUASTI / TROUBLESHOOTING / RECHERCHES PANNES / STÖRUNGSSUCHE / LOCALIZACIÓN DE AVERÍAS

---

### IT

---

Contattare personale specializ-  
zato.

### EN

---

Contact skilled personnel.



---

**FR**

Contacter un technicien spécialisé.

**DE**

Kontakt mit Fachpersonal aufnehmen.

**ES**

Ponerse en contacto con personal especializado.

**DICHIARAZIONE DI CONFORMITÀ CE**  
EC DECLARATION OF CONFORMITY



**SIMONELLI GROUP**

Via E. Betti, 1 - 62020 Belforte del Chienti (MC) – ITALY

Dichiariamo sotto la nostra responsabilità, che il prodotto:  
*Declare under our responsibility that the product:*

**MACINADOSATORE PER CAFFÈ MODELLI**  
**MODELLO: MDXS ON DEMAND**  
*COFFEE GRINDER MODELS*  
*MODEL: MDXS ON DEMAND*

**VERSIONE: 220-230-240V/50Hz; 220-240V/60Hz; 110V-127V/60Hz**  
*VERSION: 220-230-240V/50Hz; 220-240V/60Hz; 110V-127V/60Hz*

**SERIE: AA; AB**  
*SERIES: AA; AB*

**MATRICOLA DAL: 0001-17**  
*SERIAL Nr. FROM: 0001-17*

al quale si riferisce questa dichiarazione, è costruito in conformità alle direttive:  
*to which this declaration relates, following the provisions of the directives:*

**2006/42/EC - 2014/35/EU - 2014/30/EU**  
**2011/65/EU - 2012/19/EU - 2014/68/EU - EC 1935/2004**

Data: Febbraio 2018  
*Date: February 2018*

*L'Amministratore Delegato*  
(Ottavi Nando)



[www.nuovasimonelli.it](http://www.nuovasimonelli.it)

---

**Simonelli Group**

Via E. Betti, 1  
62020 Belforte del Chienti  
Macerata Italy  
T +39 0733 9501  
F +39 0733 950242  
info@simonelligroup.it  
www.simonelligroup.it

**Nuova Distribution Usa**

6940 Salashan Pkwy, Bldg, A  
Ferndale, WA 98248  
T +1 360 366 2226  
F +1 360 366 4015  
orders@simonelliusa.com  
www.simonelliusa.com

**Nuova Simonelli Asia Pacific**

61 Kaki Bukit Ave 1  
#02-24 Shun Li Industrial Park  
Singapore 417943  
T +65 68410985  
www.nuovasimonelliasiapacific.com

**Nuova Distribution France**

Hexapole - Actipole - Bat 5  
Rue Maurice Herzog  
73420 Viviers Du Lac  
T +33 (0) 9 67894852  
F +33 (0) 4 79544852  
info@nuovadistribution.fr



 **nuova**  
**SIMONELLI**  
The coffee machines you can trust.