



VEGETABLE PREPARATION MACHINE CA-2V

Compact, variable speed vegetable slicer. "Brushless" technology: maximum efficiency.



- ✓ Ergonomic design: product sliced in one single movement.
- ✓ Lateral product output: requires less space on the worktop and guides the product, avoiding splashes.
- ✓ Adjustable product ejection direction to adapt to the workflow in the preparation area.
- ✓ Recessed cored relief allows for any position in the kitchen, side walls, back wall, light and compact, this machine can fit.
- ✓ Advanced control panel that is very intuitive to use and offers all the information at a glance.

Maintenance, safety, hygiene

- ✓ Lever and lid easily removable for cleaning purposes.
- ✓ Stainless steel, dishwasher-safe discs. The removable blades allow for an even more thorough and efficient cleaning.
- ✓ Combination of safety systems: head, cover, power switch.
- ✓ Complete error warning system.
- ✓ Appliance certified by NSF International (regulations on hygiene, cleaning and materials suitable for contact with foods).
- ✓ 100% tested.

INCLUDES

- ✓ Variable speed motor block.
- ✓ Vegetable slicer attachment.
- ✓ Gravity product expulsion ramp.
- ✓ Ejection disc.

OPTIONAL

- Cutter bowl.
- Hub with toothed blades.
- Hub with smooth blades.
- Hub with perforated blades.

ACCESSORIES

- Cutter bowl (Compact line)
- FCS Slicing Discs (Compact line)
- SHS Shredding & Grating Discs (Compact line)
- Hubs with blades (Compact)

SPECIFICATIONS

Hourly production: 350 Kg
 Inlet opening: 89 cm²
 Disc diameter: 180 mm
 Speed as veg. slicer: 300 rpm - 1000 rpm
 Total loading: 1100 W

External dimensions (WxDxH)

Width: 378 mm
 Depth: 309 mm
 Height: 533 mm

Net weight: 12.9 Kg
 Noise level (1m.): <70 dB(A)
 Background noise: 32 dB(A)

Crated dimensions

285 x 385 x 714 mm
 Volume Packed: 0.08 m³
 Gross weight: 17.2 Kg

AVAILABLE MODELS

- | | |
|---------|---|
| 1050962 | Vegetable preparation machine CA-2V 230/50-60/1 |
| 1050972 | Vegetable preparation machine CA-2V 2D 120/50-60/1 · 2 discs included |

* Ask for special versions availability

SALES DESCRIPTION

Compact ULTRA line. Variable speed motor block + vegetable slicer attachment.

Equipped with "brushless" technology: powerful and efficient motors.

- ✓ Maximum efficiency: maintain the torque throughout the speed range.
- ✓ Exclusive "force control system": guarantee of a uniform and high quality result.
- ✓ Lightweight and compact design: they weigh less, they occupy less space.
- ✓ Improved air/water-tightness since no ventilation is required.
- ✓ They generate less noise: improved workplace environment.

A perfect cut.

- ✓ High precision settings and comprehensive cutter and disc design aimed at obtaining a perfect cut.
- ✓ Gravity product expulsion ramp allow to reconstruct the sliced product for storing or presentation purpose. (Watch video)
- ✓ Ejection disc included for the products that require its use.
- ✓ It can be fitted with a wide range of discs and grids of the highest cutting quality.
- ✓ Combining these accessories together to obtain more than 35 different types of cuts and grating grades.
 Exclusive "Force Control System" to optimise and standardise the cutting of each product: acoustic warning when the motor exceeds the pre-established force.
- ✓ Possibility of extending its functionality by adding the cutter bowl with blades.

Built to last

- ✓ Sturdy construction in food-grade best quality materials.

Maximum comfort for the user



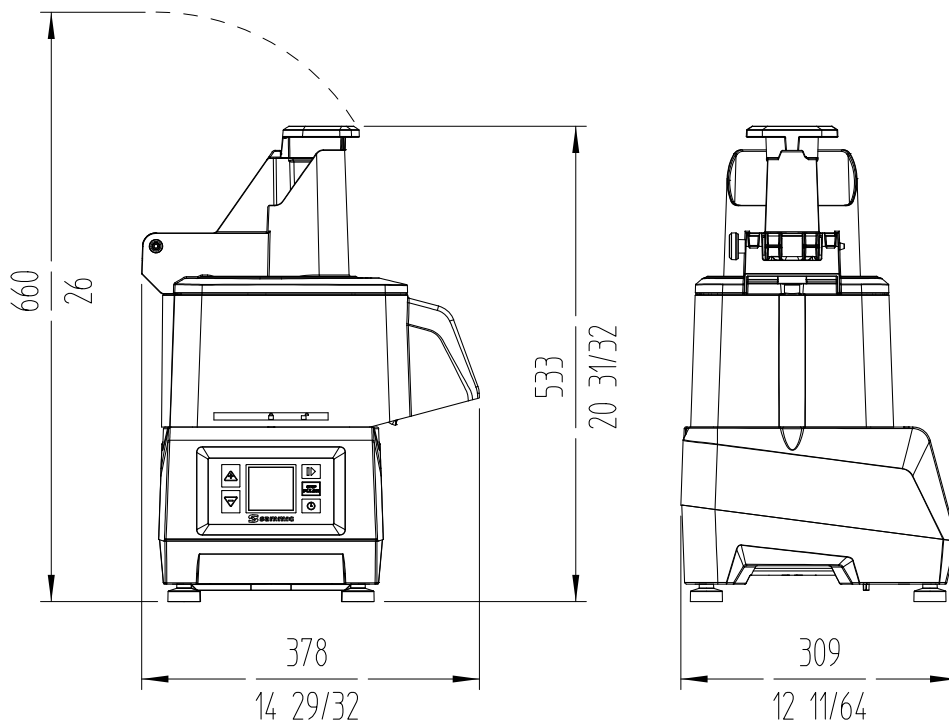


VEGETABLE PREPARATION MACHINE CA-2V

Compact, variable speed vegetable slicer. "Brushless" technology: maximum efficiency.



DYNAMIC PREPARATION
COMMERCIAL VEGETABLE PREPARATION MACHINES



sammic | www.sammic.com
Food Service Equipment Manufacturer

Polígono Basarte, 1. phone +34 943 15 72 36
20720 Azkoitia, Spain sales@sammic.com



Project	Date
Item	Qty
Approved	

product sheet
updated 02/11/2022