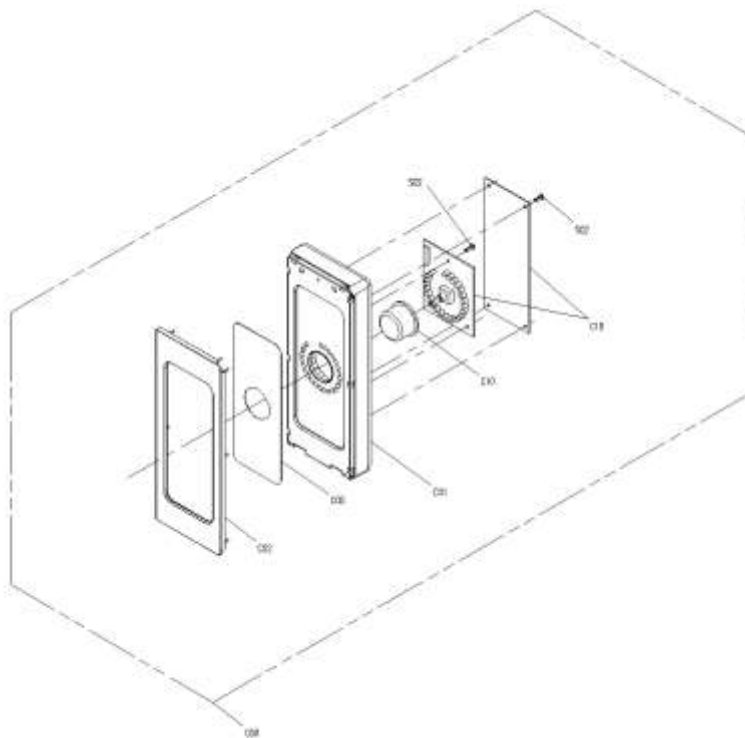
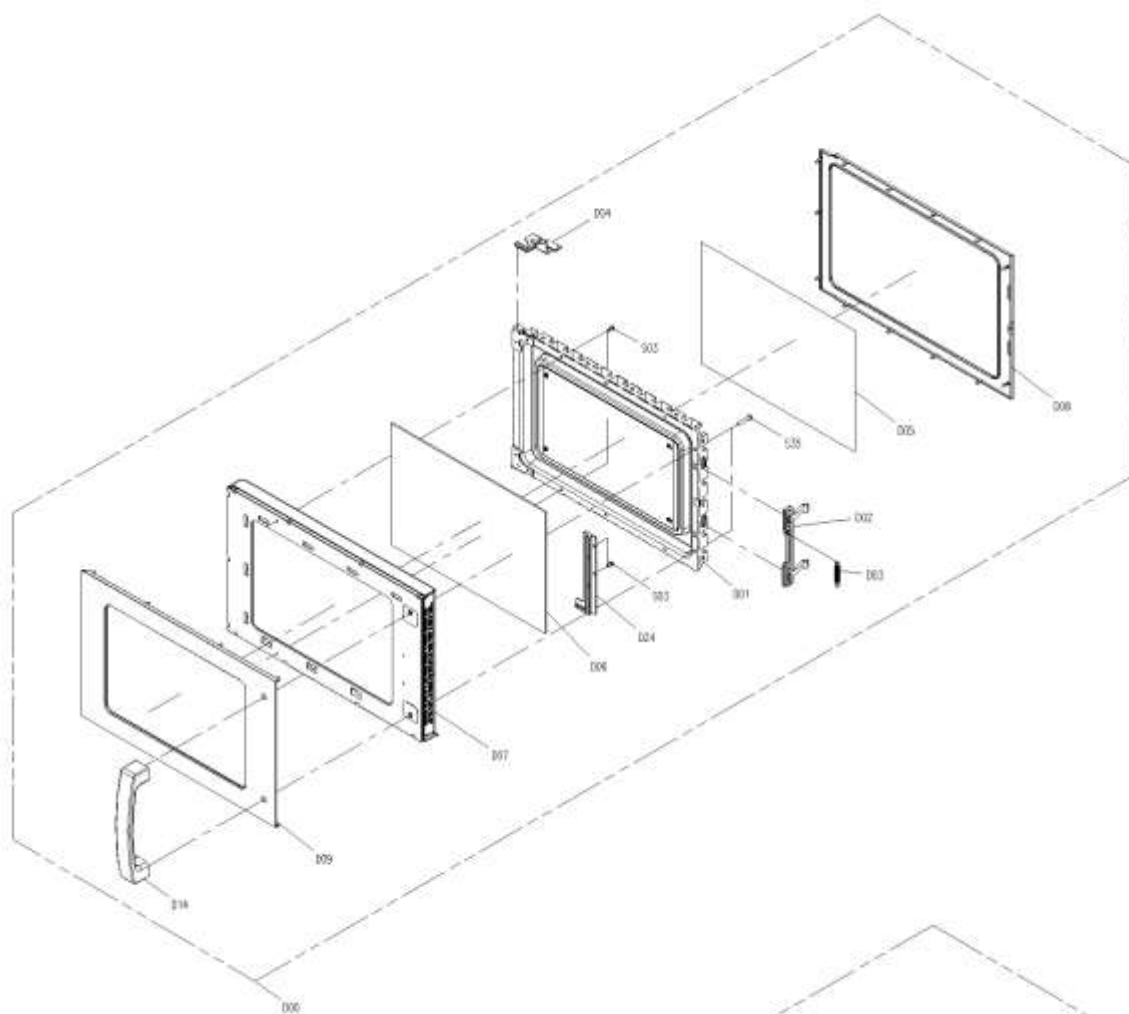


ПЕЧЬ СВЧ HURAKAN HKN-WP1000 PRO

Поз	Наименование детали
W04	GUIDE WIND
A00	ASS'Y CAVITY
A09	PRANT COVER
B01	BASE PLATE
B02	LEG
B03	ASS'Y BRKT HINGE
E01	MAGNETRON
E05	H.V. TRANSFORMER
E06	H.V. CAPACITOR
E07	H.V. DIODE
E10	FILTER NOISE
E11	FUSE
E13	LAMP
E40	THERMOSTAT 110/70
E16	POWER CORD ASS'Y
E28	ASS'Y H.V. FUSE
E35	THERMOSTAT 160/95
L01	BOARD LATCH
L02	LEVER SWITCH
L03	MICROSWITCH INTERLOCK
L04	MICROSWITCH MONITOR
L05	HARNESS MAIN
S01	SCREW CT3*8B8HC
S02	SCREW ST3*8PWBHC
S04	SCREW ST4*10TBHC
S05	SCREW ST4*12PwBHC
S06	SCREW ST4*20TBHC
S07	SCREW CT4*8TBHC
S08	SCREW CT4*10HwBHC
S17	SCREW ST3*10PWTHC
S18	SCREW D4*6
S21	SPRING WASHER D4.1
T01	MOTOR TRAY
T09	SHAFT STIRRER
W01	GUIDE FAN
W02	FAN
W03	MOTOR FAN
W06	DAMPER
Z01	HOLDER H.V.C
Z11	FAN STIRRER
Z22	SPONGE
Z24	CASE AUT
Z29	GUARD OIL*R
Z40	WATER SEALING BRACKET



ПЕЧЬ СВЧ HURAKAN HKN-WP1000 PRO

Поз	Наименование детали
D00	DOOR
D01	DOOR FRAME ASS'Y
D02	LATCH
D03	LATCH SPRING
D04	UPPER HINGE
D05	DOOR INNER FILM
D06	DOOR SCREEN
D07	DOOR PANEL
D08	DOOR GASKET
D09	DOOR DECORATION
D14	HANDLE
D24	GLASS FIXTURE
S03	SCREW ST4*8PBHC
S35	SCREW ST4*30PBHC
C00	CONTROL PANEL ASS'Y
C01	CONTROL PANEL
C02	CONTROL PANEL DECORATION
C05	CONTROL PANEL DECORATION
C10	DIAL KNOB
C18	PCB ASS'Y
S02	SCREW ST3*8PBHC