

B1BPT10E

Start Prod 01/06/2019 End Prod

**VIEW 10 : Unit assembly**

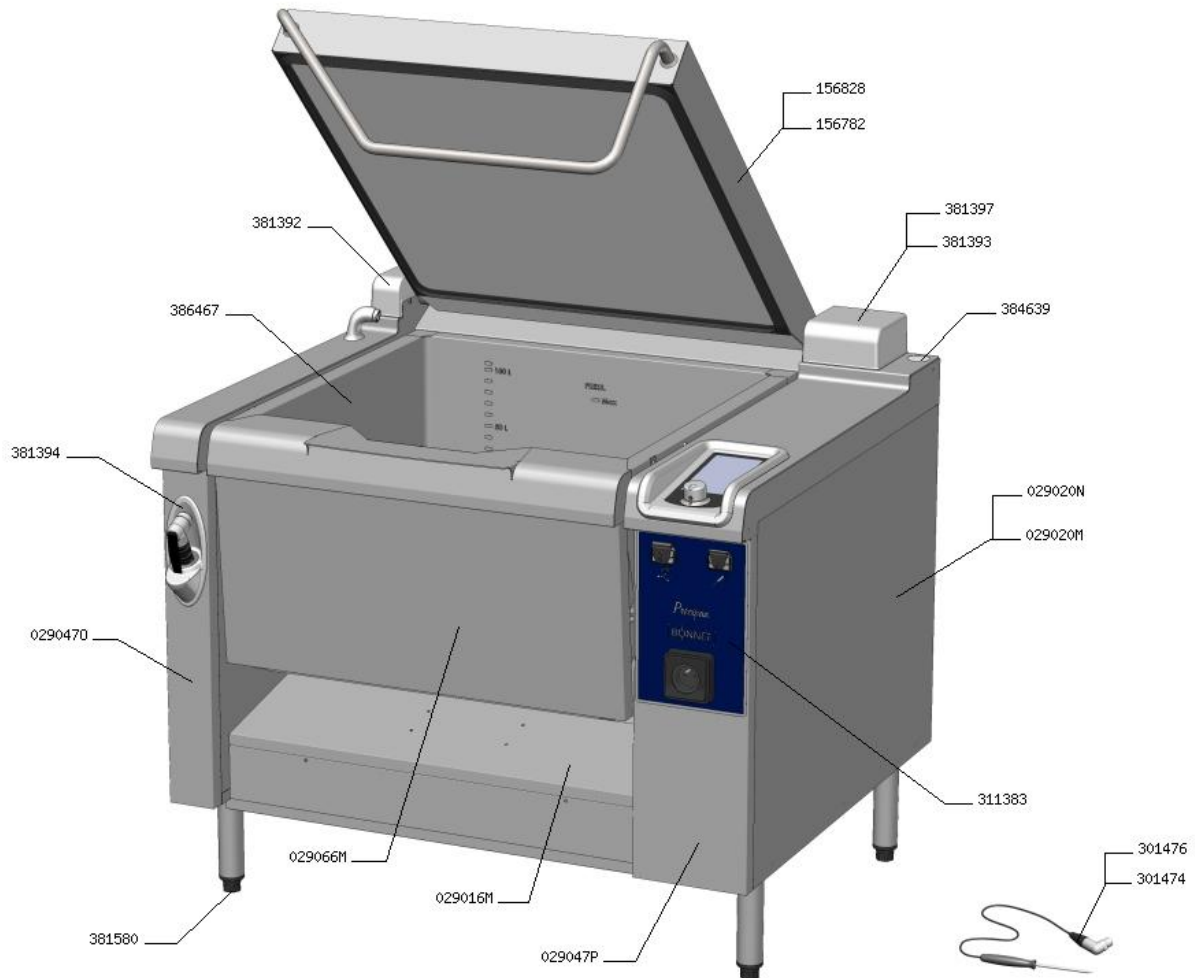
serial number start :

serial number end :

Start Date : 01-07-2019

End Date : 00-00-0000

Legend :	
	Spare Part
!	Recommended Part
⚠	Wearing Part



CODE	NAME	COMENTS	CAT
029016M	Connection flap on 100 litre bratt pan		
029020M	Right hand exterior		
029020N	Left hand exterior		
0290470	Left facia		
029047P	Right facia		
029066M	100 litre well cladding		
156782	Lid sub assembly		
156828	Complete pressure lid sub assembly		
301474	4 point temperature probe with NEUTRIK connector		
301476	1 point temperature probe with NEUTRIK connector		
311383	Braising pan facia lexan		
381392	Left cover axis cover		
381393	Right cover axis cover		
381394	Spray hose support		
381397	Right cover axis cover	Optional basket lift	
381580	Complete adjustable end for 45 diameter tube (250kg)		
384639	Plug, diameter 41		
386467	Bare 100 litre braising pan well		

# BPT10E- Multifonction Braising Pan Precipan Tilting 100L (Elec)

B1BPT10E

Start Prod 01/06/2019 End Prod

## VIEW 20 : Cover sub assembly

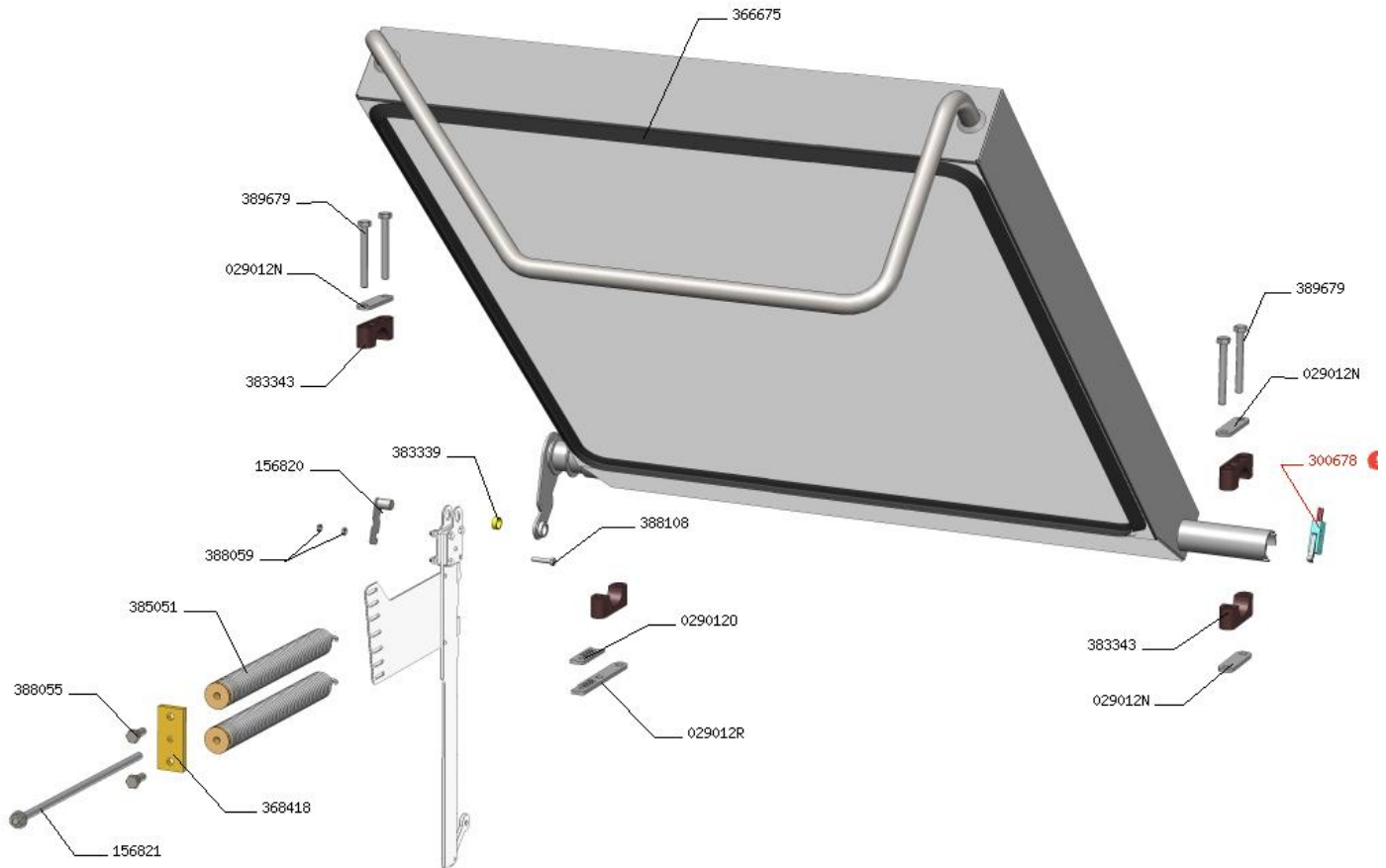
serial number start :

serial number end :

Start Date : 01-07-2019

End Date : 00-00-0000

Legend :	
	Spare Part
!	Recommended Part
⚠	Wearing Part



CODE	NAME	COMENTS	CAT
029012N	Lid bearing extension		
029012N	Lid bearing extension		
029012N	Lid bearing extension		
029012O	Adjustment back spacer		
029012R	Adjustment spacer		
156820	Sub-assembly for cover compensation pin		
156821	Threaded rod and cover spring sub assembly		
300678	230 V lever microswitch		!
366675	Lid seal with cut-out		
368418	Brass yoke plate		
383339	Bronze ring 12/14 x 10		
383343	Bearing (2 part)		
383343	Bearing (2 part)		
385051	Draw spring with 30 x 200 diameter stainless steel insert		
388055	Stainless screw TH 8 x 20 DIN 933		
388059	Stainless stelle HU 5 nut		
388108	Stainless screw TH 5 x 25 DIN 933		
389679	Stainless screw TH M8 x 70 DIN 931		

# BPT10E- Multifonction Braising Pan Precipan Tilting 100L (Elec)

B1BPT10E

Start Prod 01/06/2019 End Prod

CODE	NAME	COMENTS	CAT
389679	Stainless screw TH M8 x 70 DIN 931		

# BPT10E- Multifonction Braising Pan Precipan Tilting 100L (Elec)

B1BPT10E

Start Prod 01/06/2019 End Prod

## VIEW 30 : Control panel

serial number start :

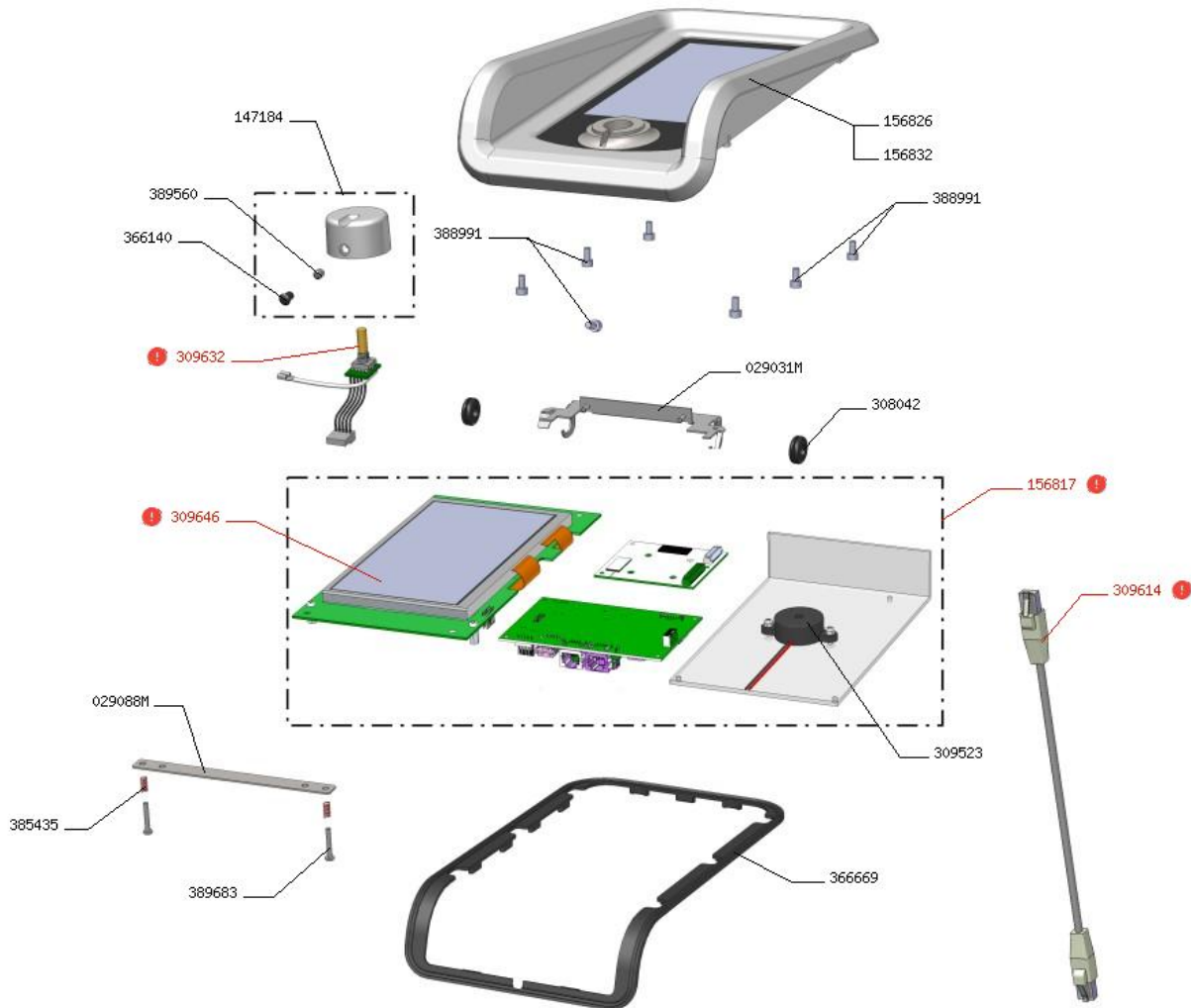
serial number end :

Start Date : 01-07-2019

End Date : 00-00-0000

### Legend :

	Spare Part
!	Recommended Part
⚠	Wearing Part



CODE	NAME	COMENTS	CAT
029031M	FastPAD 2 screen alignment		
029088M	Screen mounting crossbar		
147184	Button kit		
156817	FastPAD 2 Precipan interface assembly	See quick guide 490037	!
156826	Screen support sub assembly after sales kit	From 08/07/2019 Nu P46413659S	
156832	Screen support sub assembly after sales kit	Before 08/07/2019 Nu P46413659S	
308042	Rubber 17.5 outer diameter grommet		
309523	Buzzer		
309614	Inter card cable (2 metres long)		!
309632	Coder		!
309646	FastPAD 2 Screen		!
366140	Black plug, diameter 4.8		
366669	Facia seal		
385435	Screen card spring		
388991	Stainless screw TCHC M4 x 8		
388991	Stainless screw TCHC M4 x 8		
389560	Flat end headless screw HC M5 x 6		
389683	Cylindrical headed screw 6p ISO4762 DIN 912 M3 x 25		

# BPT10E- Multifonction Braising Pan Precipan Tilting 100L (Elec)

B1BPT10E

Start Prod 01/06/2019 End Prod

## VIEW 40 : Electrical circuit

serial number start :

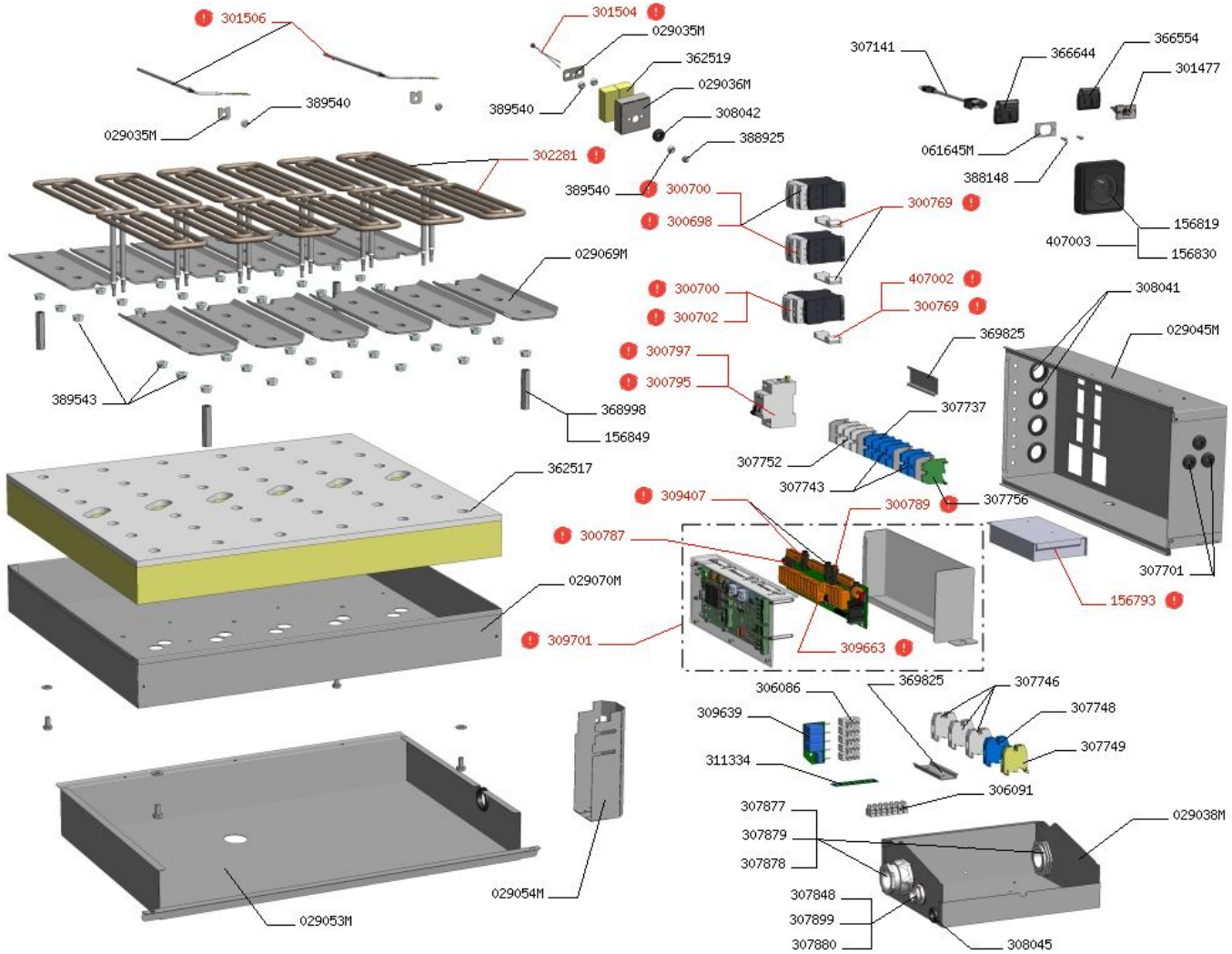
serial number end :

Start Date : 01-07-2019

End Date : 00-00-0000

### Legend :

	Spare Part
!	Recommended Part
⚠	Wearing Part



CODE	NAME	COMENTS	CAT
029035M	Well probe flange		
029035M	Well probe flange		
029036M	Well probe cover		
029038M	Electrical connection board		
029045M	Electrical board		
029053M	Well technical compartment		
029054M	Well wire cover		
029069M	Element flange		
029070M	Heater body		
061645M	USB port back plate		
156793	Pre-set supply cut off		!
156819	2P+E IP55 16A flush-mounted socket		
156830	Inset black UK 13amp socket 2P+E IP55	English socket	
156849	Heating body service kit	Until 04/12/2020 N°P46414143S	
300698	Three-pole 32A 230V 50/60 Hz contactor	400V	!
300700	Three-pole 50A 230V 50/60 Hz contactor		!
300700	Three-pole 50A 230V 50/60 Hz contactor		!
300702	Tree-pole 80A 230V 50/60 HZ contactor	230V	!

# BPT10E- Multifonction Braising Pan Precipan Tilting 100L (Elec)

B1BPT10E

Start Prod 01/06/2019 End Prod

CODE	NAME	COMENTS	CAT
300769	Anti-interference relay	Order with contactors 300697, 300698, 300699, 300700	!
300769	Anti-interference relay	Order with contactors 300697, 300698, 300699, 300700	!
300787	Ultra fast fuse 0.2A 250V 5 x 20		!
300789	5 x 20 fast fuse 1amp		!
300795	Circuit breaker DT 40VIGIK 1P+N 16A 30MA		!
300797	B curve 13amp circuit breaker	English socket	!
301477	Neutrik BASE for temperature probe		
301504	Encapsulated PT100 probe		!
301506	Well base probe		!
302281	Armoured 3700 Watt element		!
306086	400V 57A 5 pole connection strip		
306091	400V connection strip		
307141	USB 2 extension		
307701	Wire route diameter 22mm		
307737	M10/10 blue terminal block		
307743	Neutral terminal M4/6N		
307746	M16/12 terminal block		
307748	M16/12N neutral terminal block		
307749	Protection lead terminal block		
307752	Grey terminal block M4/6		
307756	Junction block ZS4-PE		
307848	Plastic gland nut		
307877	Plastic gland		
307878	Plastic PG 29 gland nut		
307879	Neoprene gasket for PG 29 plastic gland		
307880	Neoprene gland gasket		
307899	Plastic gland + reducer		
308041	43 outer diameter grommet		
308042	Rubber 17.5 outer diameter grommet		
308045	15 outer diameter grommet		
309407	Fuse 3.15 Amps		!
309639	CEM filter		
309663	FastPAD 2 Max UL relay connection		!
309701	FastPAD 2 Precipan power card		!
311334	Connection label		
362517	Insulation kit		
362519	Well probe insulation		
366554	Gasket and core probe or USB socket plug		
366644	USB port cover seal		
368998	Stainless hexagonal crossbar	From 04/12/2020 N°P46414144S	
369825	DIN rail		
369825	DIN rail		
388148	Stainless metallic screw TC3 x 12 DIN 84		
388925	Stainless steel blind nut M5		
389540	Ribbed collar nut M5		
389540	Ribbed collar nut M5		
389540	Ribbed collar nut M5		
389543	Stainless steel notched base M8 nut		
407002	Anti-parasite module		!
407003	Swiss socket	Swiss socket	

# BPT10E- Multifonction Braising Pan Precipan Tilting 100L (Elec)

B1BPT10E

Start Prod 01/06/2019 End Prod

## VIEW 50 : Hydraulic circuit

serial number start :

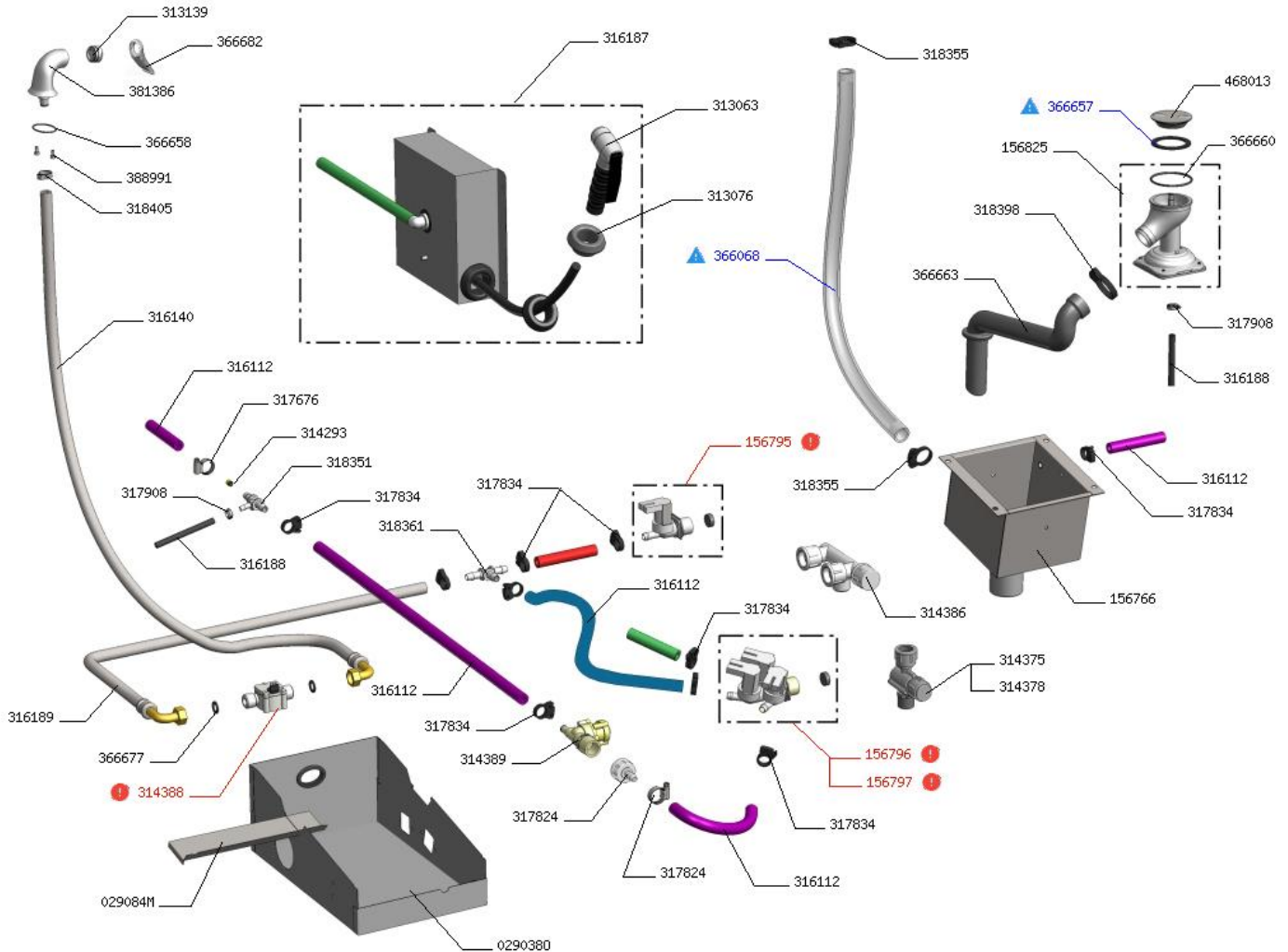
serial number end :

Start Date : 01-07-2019

End Date : 00-00-0000

### Legend :

	Spare Part
!	Recommended Part
▲	Wearing Part



CODE	NAME	COMENTS	CAT
0290380	Water connection board		
029084M	Water connection protection trough		
156766	Drain box		
156795	Single solenoid 1 x 15 litres/min		!
156796	3 way solenoid 3 x 15 litres/min		!
156797	4 way solenoid 4 x 15 litres/min		!
156825	Drain valve after sales kit		
313063	Spray head for ref. 316139 reel		
313076	Hard shower loop		
313139	Male chrome-plated filtering end M 24 X 100		
314293	Flow regulator 0.5 L/min		
314375	Straight cold water arrival filter M3/4		
314378	Filter		
314386	Collector 2 x 3/4F+ 1 x 3/4M + plug		
314388	Flow meter 100 G1/2		!
314389	Pressure regulator M3/4 diameter 10 - 1.2 Bar		
316112	Armoured hose		
316112	Armoured hose		

# BPT10E- Multifonction Braising Pan Precipan Tilting 100L (Elec)

B1BPT10E

Start Prod 01/06/2019 End Prod

CODE	NAME	COMENTS	CAT
316112	Armoured hose		
316112	Armoured hose		
316112	Armoured hose		
316140	Sanitary quality hose 1 elbow coupler, length 1350		
316187	Retractable spray hose kit		
316188	Armoured flexible hose EPDM 6mm dia		
316188	Armoured flexible hose EPDM 6mm dia		
316189	Braided textile EPDM flexible 12mm dia		
317676	12/20 diameter stainless steel tightening clamp		
317824	Plastic coupling, nut and tail T.20/27		
317824	Plastic coupling, nut and tail T.20/27		
317834	Double female plastic clamp 15/17,2		
317834	Double female plastic clamp 15/17,2		
317834	Double female plastic clamp 15/17,2		
317834	Double female plastic clamp 15/17,2		
317834	Double female plastic clamp 15/17,2		
317834	Double female plastic clamp 15/17,2		
317908	Stainless steel 7 x 11 screw clamp		
317908	Stainless steel 7 x 11 screw clamp		
318351	9.5 x 6.4 x 9.5 reduction tee		
318355	Plastic double tightening cable tie 27-30 dia		
318355	Plastic double tightening cable tie 27-30 dia		
318361	Tee for tube		
318398	Nylon double diameter grip 35-38 width 8mm		
318405	Drain grip		
366068	Transparent silicone tube	Per meter	▲
366657	Outlet seal		▲
366658	O ring dia 34.65 x 1.78		
366660	O ring 55.25 x 2.62		
366663	Silicone drain elbow		
366677	Flat circular Shores 60 seal 18 x 12 x 2 dia		
366682	Anti-drip slide		
381386	Outlet		
388991	Stainless screw TCHC M4 x 8		
468013	Outlet cover		



# BPT10E- Multifonction Braising Pan Precipan Tilting 100L (Elec)

B1BPT10E

Start Prod 01/06/2019 End Prod

## VIEW 60 : Well tilt module

serial number start :

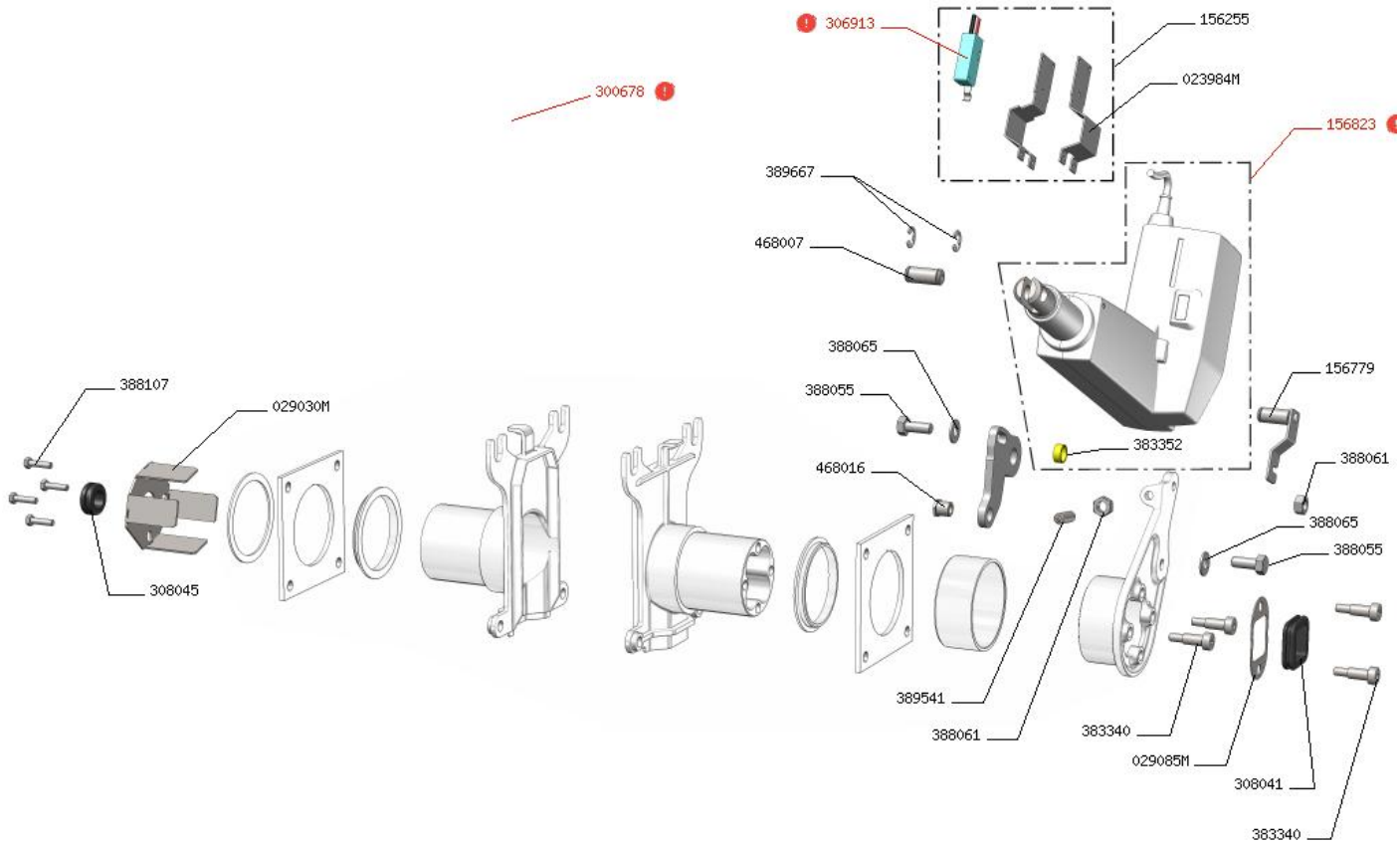
serial number end :

Start Date : 01-07-2019

End Date : 00-00-0000

### Legend :

	Spare Part
!	Recommended Part
▲	Wearing Part



CODE	NAME	COMENTS	CAT
023984M	Micro contact well base fixings		
029030M	Well axis end plate		
029085M	Moulded wire route		
156255	Switch sub assembly		
156779	Sub assembly well ram axis		
156823	Electric ram after sales kit LA31 6000N 24V		!
300678	230 V lever microswitch		!
306913	lever microswitch		!
308041	43 outer diameter grommet		
308045	15 outer diameter grommet		
383340	Calibrated steel screw with shoulder		
383340	Calibrated steel screw with shoulder		
383352	Flat 12mm dia cylindrical bearing		
388055	Stainless screw TH 8 x 20 DIN 933		
388055	Stainless screw TH 8 x 20 DIN 933		
388061	Stainless steel HU 8 nut		
388061	Stainless steel HU 8 nut		
388065	M8 stainless steel flat washer		

# BPT10E- Multifonction Braising Pan Precipan Tilting 100L (Elec)

B1BPT10E

Start Prod 01/06/2019 End Prod

CODE	NAME	COMENTS	CAT
388065	M8 stainless steel flat washer		
388107	Stainless screw TH 5 x 20 DIN 933		
389541	M8x25 Stainless set screw with cup point		
389667	Stainless axis lock for 8mm dia shaft		
468007	Ram axis		
468016	Well tilt adjustment axis		

# BPT10E- Multifonction Braising Pan Precipan Tilting 100L (Elec)

B1BPT10E

Start Prod 01/06/2019 End Prod

## VIEW 70 : Optional pressure lid

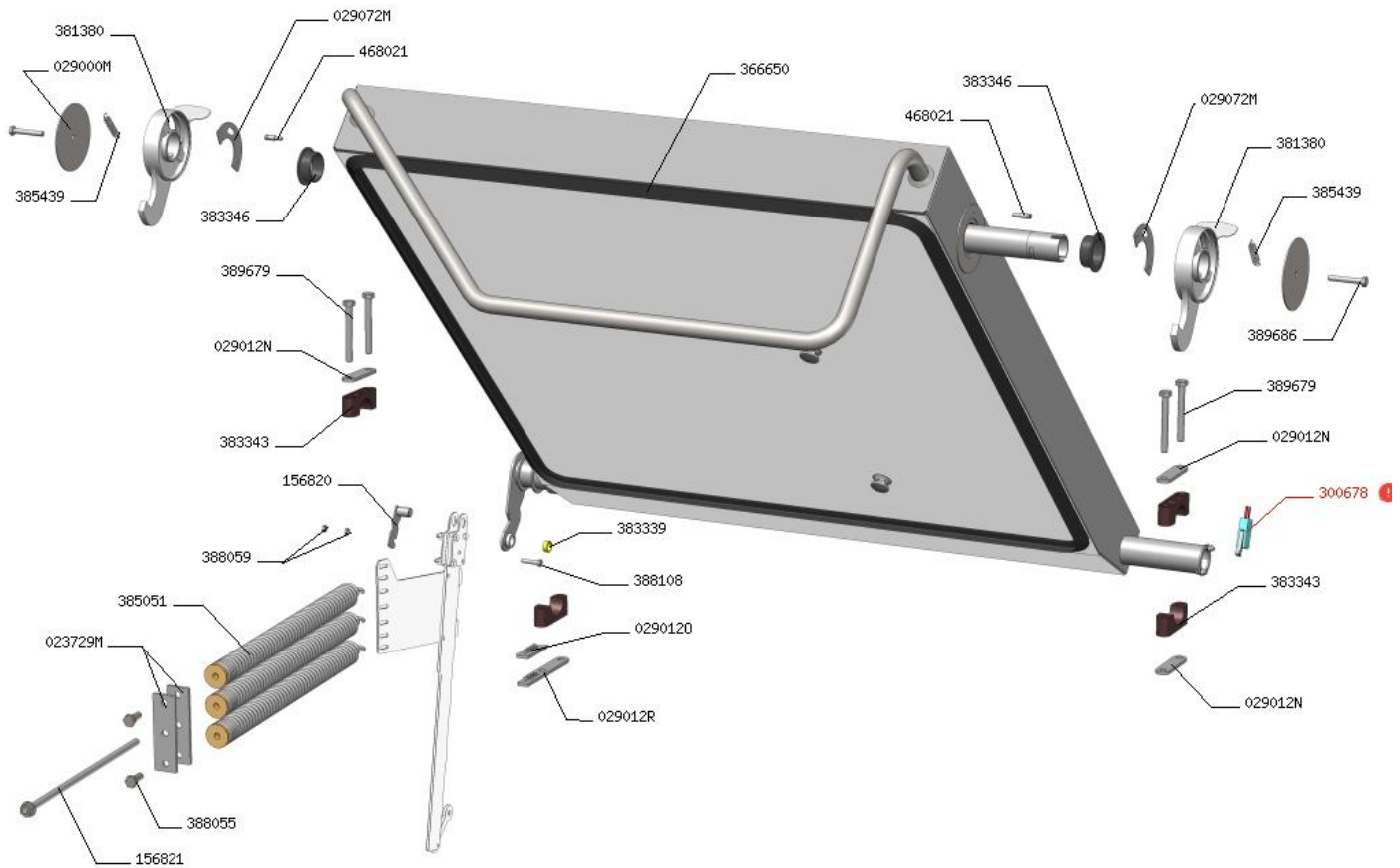
serial number start :

serial number end :

Start Date : 01-07-2019

End Date : 00-00-0000

Legend :	
	Spare Part
!	Recommended Part
⚠	Wearing Part



CODE	NAME	COMENTS	CAT
023729M	3 spring attachment plate		
029000M	Pressure hook clamping washer		
029012N	Lid bearing extension		
029012N	Lid bearing extension		
029012N	Lid bearing extension		
029012O	Adjustment back spacer		
029012R	Adjustment spacer		
029072M	Cover end lock		
029072M	Cover end lock		
156820	Sub-assembly for cover compensation pin		
156821	Threaded rod and cover spring sub assembly		
300678	230 V lever microswitch		!
366650	Lid seal		
381380	Locking hook		
381380	Locking hook		
383339	Bronze ring 12/14 x 10		
383343	Bearing (2 part)		
383343	Bearing (2 part)		

# BPT10E- Multifonction Braising Pan Precipan Tilting 100L (Elec)

B1BPT10E

Start Prod 01/06/2019 End Prod

CODE	NAME	COMENTS	CAT
383346	Bearing		
383346	Bearing		
385051	Draw spring with 30 x 200 diameter stainless steel insert		
385439	Lid lock spring		
385439	Lid lock spring		
388055	Stainless screw TH 8 x 20 DIN 933		
388059	Stainless stelle HU 5 nut		
388108	Stainless screw TH 5 x 25 DIN 933		
389679	Stainless screw TH M8 x 70 DIN 931		
389679	Stainless screw TH M8 x 70 DIN 931		
389686	Stainless steel hygiene screw M6 x 45		
468021	Cover indexing pin		
468021	Cover indexing pin		

# BPT10E- Multifonction Braising Pan Precipan Tilting 100L (Elec)

B1BPT10E

Start Prod 01/06/2019 End Prod

## VIEW 80 : Optional steam circuit

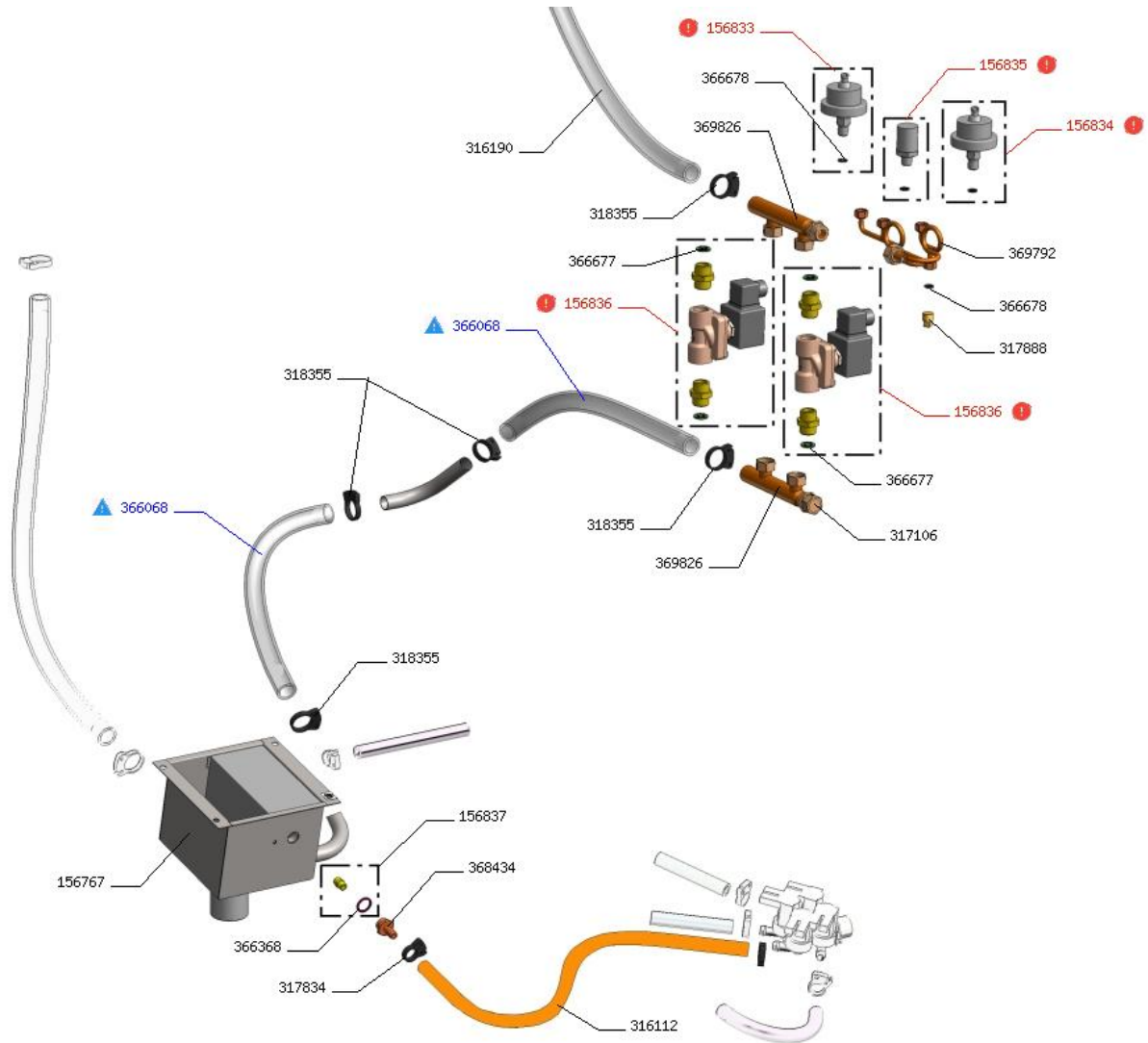
serial number start :

serial number end :

Start Date : 01-07-2019

End Date : 00-00-0000

Legend :	
	Spare Part
!	Recommended Part
▲	Wearing Part



CODE	NAME	COMENTS	CAT
156767	Sub assembly condenser		
156833	After sales kit: 10mb pressostat		!
156834	After sales kit: safety pressostat		!
156835	After sales kit: pressure sensor		!
156836	After sales kit: steam solenoid		!
156836	After sales kit: steam solenoid		!
156837	After sales kit: condenser nozzle		
316112	Armoured hose		
316190	Braided stainless silicone hoze 20x27		
317106	Female brass plug 15/21		
317834	Double female platsic clamp 15/17,2		
317888	Brass 1/4" square head plug with size 8 square		
318355	Plastic double tightening cable tie 27-30 dia		
318355	Plastic double tightening cable tie 27-30 dia		
318355	Plastic double tightening cable tie 27-30 dia		
318355	Plastic double tightening cable tie 27-30 dia		
366068	Transparent silicone tube	Per meter	▲

# BPT10E- Multifonction Braising Pan Precipan Tilting 100L (Elec)

B1BPT10E

Start Prod 01/06/2019 End Prod

CODE	NAME	COMENTS	CAT
366068	Transparent silicone tube	Per meter	▲
366368	Black polymere captive 3/8 gasket		
366677	Flat circular Shores 60 seal 18 x 12 x 2 dia		
366677	Flat circular Shores 60 seal 18 x 12 x 2 dia		
366678	Flat circular Shores 60 seal 12 x 8 x 1.5 dia		
366678	Flat circular Shores 60 seal 12 x 8 x 1.5 dia		
368434	Brass nipple union		
369792	Copper looped coil		
369826	Feeder for steam solenoid valve		
369826	Feeder for steam solenoid valve		

# BPT10E- Multifonction Braising Pan Precipan Tilting 100L (Elec)

B1BPT10E

Start Prod 01/06/2019 End Prod

## VIEW 90 : Optional basket lift

serial number start :

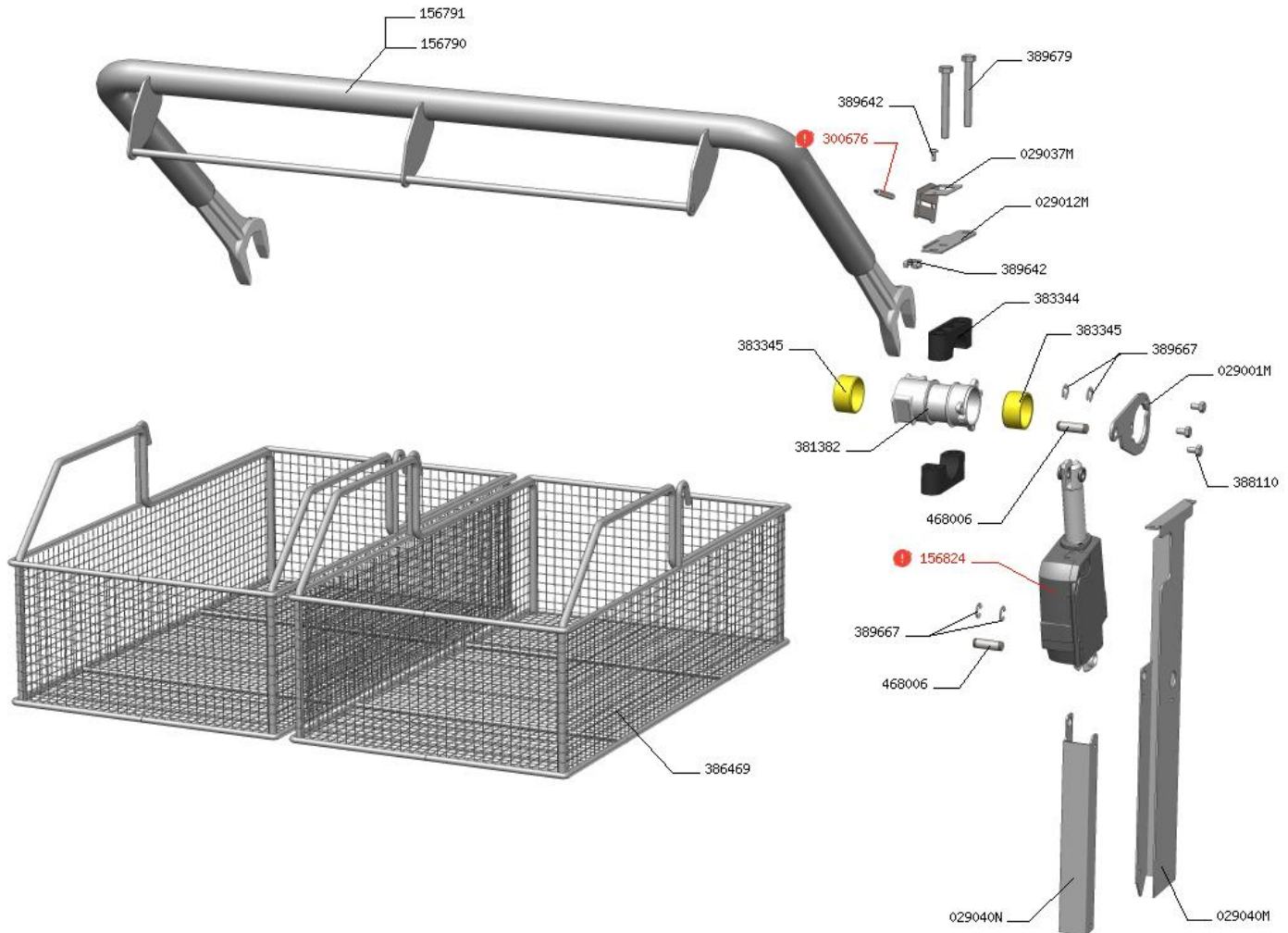
serial number end :

Start Date : 01-07-2019

End Date : 00-00-0000

### Legend :

	Spare Part
!	Recommended Part
⚠	Wearing Part



CODE	NAME	COMENTS	CAT
029001M	Lift drive		
029012M	Lift switch plate		
029037M	Reed support		
029040M	Lift ram external support		
029040N	Lift ram internal support		
156790	Sub assembly lift arm	100 litres	
156791	Sub assembly lift arm	150 litres	
156824	Electric ram after sales kit (ram + cable) LA23 2500N 24V		!
300676	Reed switch		!
381382	Lift bearing		
383344	Bearing (2 part)		
383345	Bearing		
383345	Bearing		
386469	Precipan braiser bearing		
388110	Stainless screw TH 6 x 10 DIN 933 ISO 4017		
389642	Stainless flared base nut M4 x 10 ISO 7380-2		
389642	Stainless flared base nut M4 x 10 ISO 7380-2		
389667	Stainless axis lock for 8mm dia shaft		

# BPT10E- Multifonction Braising Pan Precipan Tilting 100L (Elec)

B1BPT10E

Start Prod 01/06/2019 End Prod

CODE	NAME	COMENTS	CAT
389667	Stainless axis lock for 8mm dia shaft		
389679	Stainless screw TH M8 x 70 DIN 931		
468006	Lift ram axis		
468006	Lift ram axis		