

Drawing



Tools for Chefs

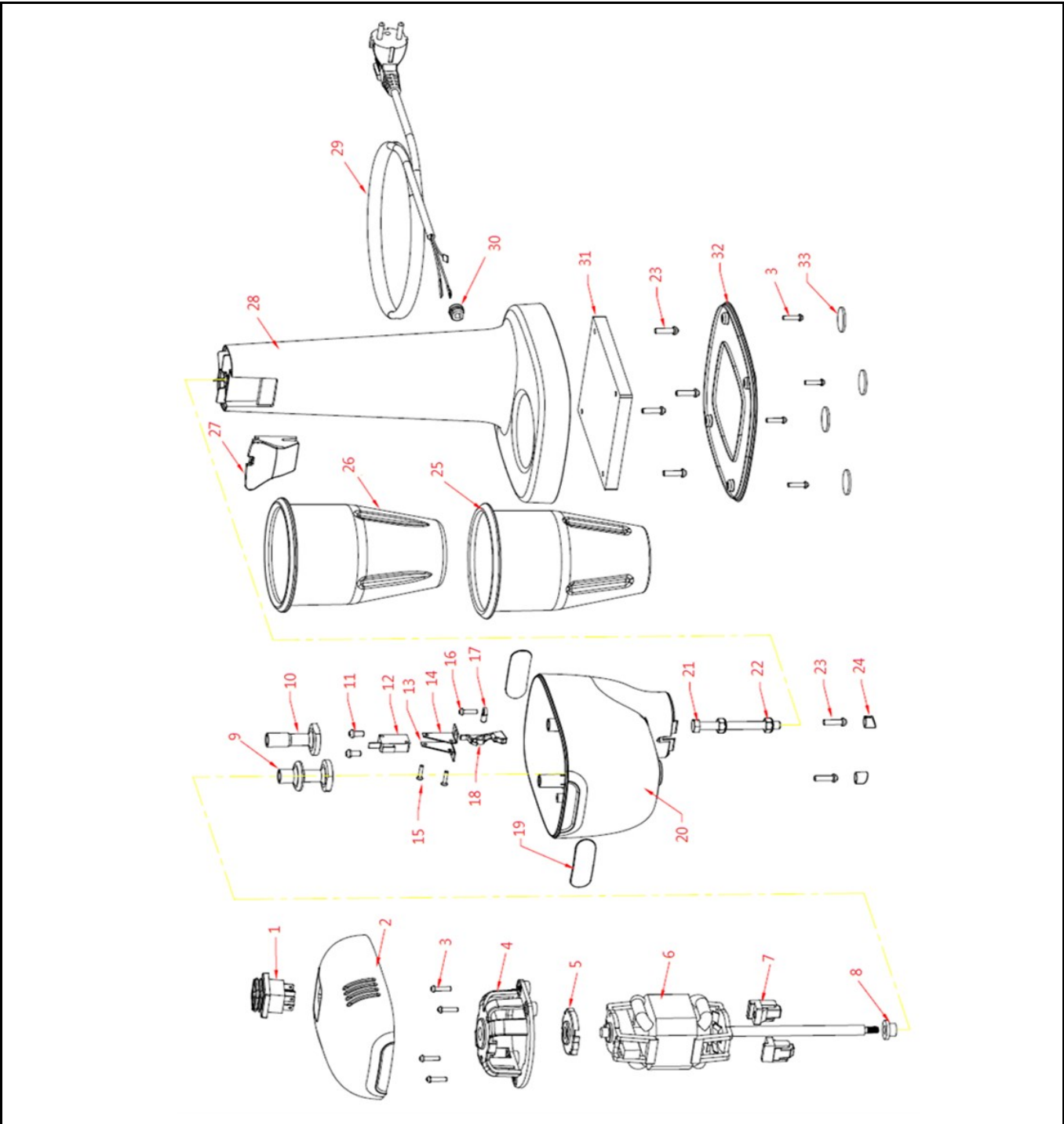
Hendi B.V.
 Steenoven 21
 3911 TX Rhenen
 The Netherlands

Batch #
 000000 and up


Appliance part#
221655

Description
 Milk shaker 400W
 Blue

Date	19-05-2022	Revision #	1.0
Revision	First Bill of Materials (BOM)		



Bill of materials (BOM)

 <b style="font-size: 24px; margin-left: 10px;">HENDI Tools for Chefs Hendi B.V. Steenoven 21 3911 TX Rhenen The Netherlands	Batch #	Appliance part#
	000000 and up	221655
	Description	
	Milk shaker 400W Blue	


Date	19-05-2022	Revision #	1.0
Revision	First Bill of Materials (BOM)		

Item	Description	Part#	Quantity	Remark	Picture
1	Switch	961353	1		
2	Motor housing cover (top)	n/a	1		
3	Screw 4x16	n/a	8		
4	Motor bracket (top)	n/a	1		
5	Anti vibration pad	961476	1		
6	Motor	961360	1		
7	Motor supprt bracket (bottom)	961483	2		
8	Silicone seal	961377	1		
9	Agitator (double layer)	nss	1	Available as 961131	
10	Agitator (single layer)	nss	1	Available as 961131	
*	Agitator set	961131	1	Incl. item 9 and 10	
11	Screw 5x10	n/a	2		
12	Microswitch	961391	1	Incl. item 13, 14 and 15	
13	Microswitch holder (left)	nss	1	Available as 961391	
14	Microswitch holder (right)	nss	1	Available as 961391	
15	Screw M3x14	nss	2	Available as 961391	
16	Screw 4x14	n/a	1		
17	Driver unit shaft	n/a	1		
18	Driver unit	n/a	1		
19	Hendi logo sticker	961407	2		
20	Motor housing (bottom)	n/a	1		
21	Bolt M8x80	n/a	1		
22	Nut M8	n/a	2		
23	Screw 5x18	n/a	6		
24	Housing plug (blue)	962299	2	Set of 2	
25	Cup (stainless steel)	961117	1		
26	Cup (polycarbonate)	961124	1		
27	Cup holder	961445	1		
28	Body	n/a	1		
29	Power cord	961452	1		
30	Pull relief	nss	1		
31	Counterweight	n/a	1		
32	Body cover (bottom)	n/a	1		
33	Foot	961469	1	Set of 4	

n/a -> not available

nss -> not sold separately

Circuit diagram

 HENDI Tools for Chefs Hendi B.V. Steenoven 21 3911 TX Rhenen The Netherlands	Batch #	Appliance part#
	000000 and up	221655
	Description	
	Milk shaker 400W Blue	

Date	19-05-2022	Revision #	1.0
Revision	First Bill of Materials (BOM)		

