

Drawing



HENDI

Tools for Chefs

Hendi B.V.

Steenoven 21
3911 TX Rhenen
The Netherlands

Batch #

000000 and up

Appliance part#

237687

Description

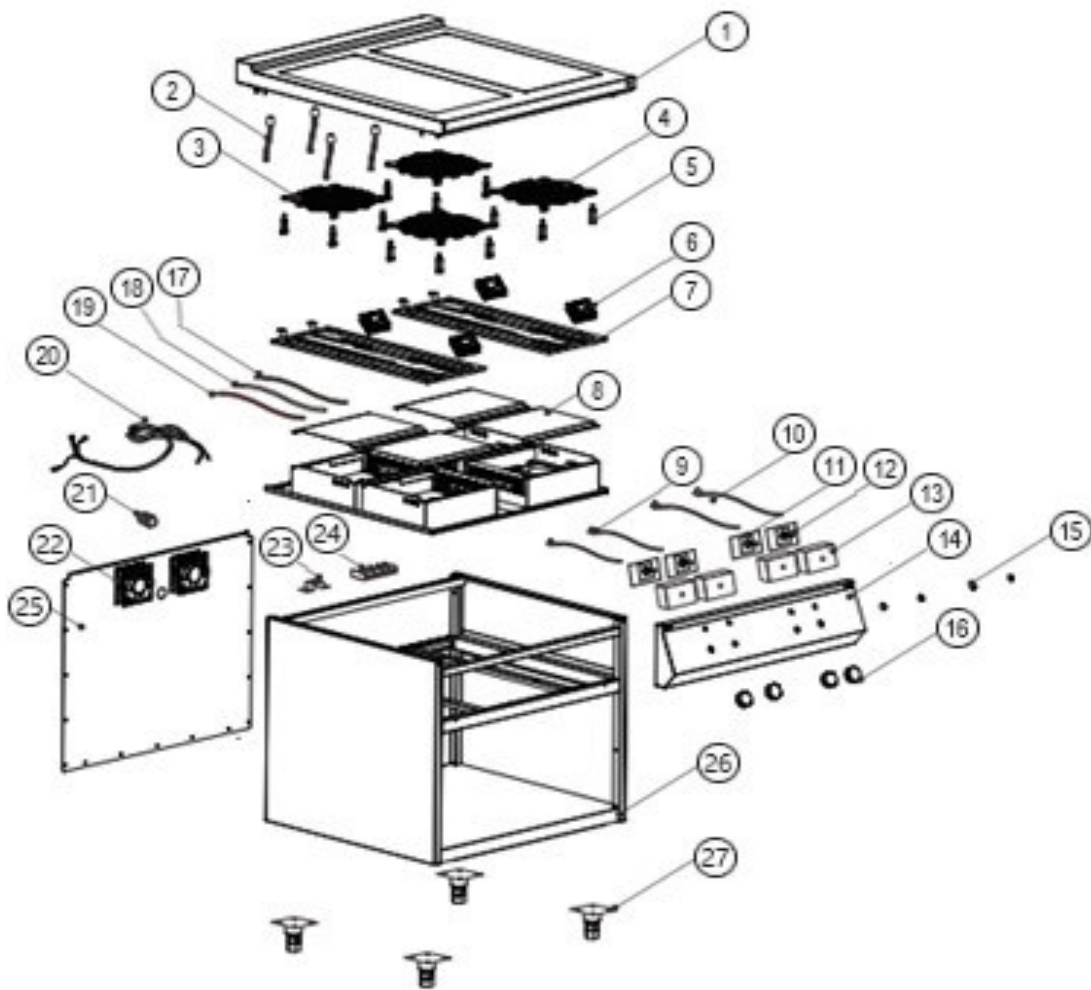
Induction stove - 4 hobs

Date 07-03-2022


Revision #

1.0

Revision First Bill of Materials (BOM)



Bill of materials (BOM)

 <b style="font-size: 24pt; margin-left: 10px;">HENDI <small style="color: green; margin-left: 10px;">Tools for Chefs</small> Hendi B.V. Steenoven 21 3911 TX Rhenen The Netherlands	Batch #	Appliance part#
	000000 and up	237687
	Description	
	Induction stove - 4 hobs	

Date	07-03-2022	Revision #	1.0
Revision	First Bill of Materials (BOM)		

Item	Description	Part#	Quantity	Remark	Picture
1	Top cover	n/a	1	(incl. ceramic glass)	
2	Sensor	962084	4		
3	Induction coil (5000W)	944875	2		
4	Induction coil (3500W)	962091	2		
5	Induction coil stand	n/a	16		
6	Fan	962107	4	90x90x25mm)	
7	Induction coil bracket	n/a	2		
8	Main PCB	962114	4		
9	Flatcable (700mm)	n/a	2		
10	Flatcable (1100mm)	n/a	2		
11	Control PCB (5000W)	962121	2		
12	Control PCB (3500W)	962138	2		
13	Control PCB housing	n/a	4		
14	Control panel	n/a	1		
15	Indicator light	962145	4		
16	Knob	962152	4		
17	Connector cable (black)	n/a	2		
18	Connector cable (white)	n/a	2		
19	Connector cable (red)	n/a	1		
20	Power cord (5x2.5mm)	n/a	1	Obtain locally	
21	Power cord retention	n/a	1		
22	Exhaust fan	962169	2	(120x120x38mm)	
23	Hi-limiter	962176	1		
24	Terminal	n/a	1		
25	Housing cover (back)	n/a	1		
26	Frame	n/a	1		
27	Feet	962183	4	Sold per piece	

n/a -> not available

nss -> not sold separately