

Drawing



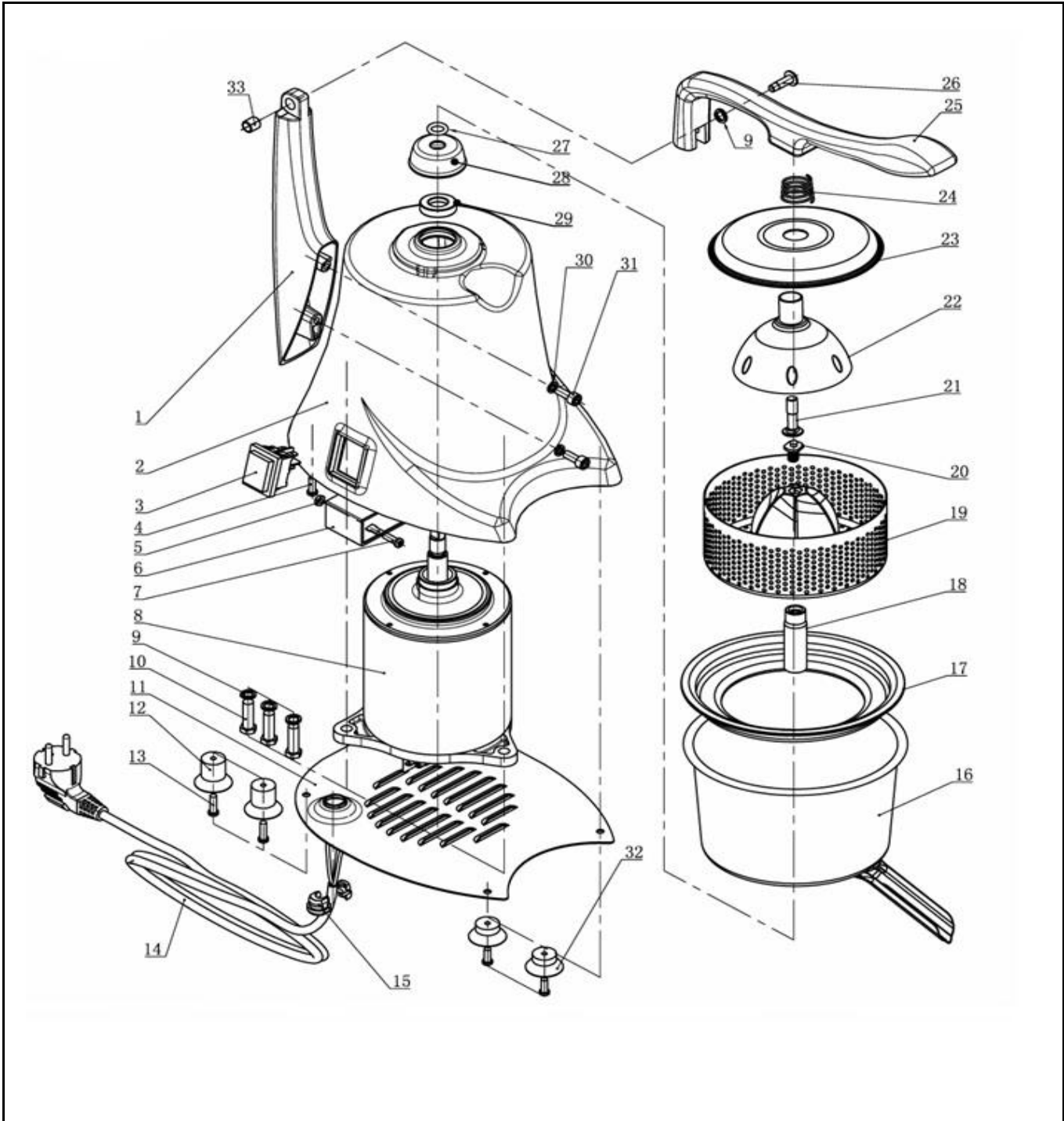
**Hendi B.V.**  
 Steenoven 21  
 3911 TX Rhenen  
 The Netherlands

**Batch #**  
 000000 and up


**Appliance part#**  
**221099**

**Description**  
 Citrus Juicer Electric

<b>Date</b>	21-08-2018	<b>Revision #</b>	1.0
<b>Revision</b>	First Bill of Materials (BOM)		



### Bill of materials (BOM)

 <b>Hendi B.V.</b> Steenoven 21 3911 TX Rhenen The Netherlands	<b>Batch #</b>	<b>Appliance part#</b>
	000000 and up	<b>221099</b>
	<b>Description</b>	
	<b>Citrus Juicer Electric</b>	


<b>Date</b>	21-08-2018	<b>Revision #</b>	1.0
<b>Revision</b>	First Bill of Materials (BOM)		

Item	Description	Part#	Quantity	Remark	Picture
1	Handle Stand	n/a	1		
2	Housing	n/a	1		
3	Main Switch	205426	1		
4	Bolt (M5*12)	n/a	2		
5	Nut M4	n/a	1		
6	Capacitor	945520	1		
7	Bolt M4*14	n/a	1		
8	Motor	945537	1		
9	Locking Ring 8mm	n/a	4		
10	Motor Stand-off M8*25	n/a	3		
11	Bottom Plate	n/a	1		
12	Foot (Back)	nss	2	Available as 945544	
13	Bolt M5*15	nss	2	Available as 945544	
14	Power Cord	nss	1	Available as 945551	
15	Power Cord Retention	nss	1	Available as 945551	
14 + 15	Power Cord with Retention	945551	1		
16	Juice Bowl	945568	1		
17	Splash Guard	945612	1		
18	Shaft	nss	1	Available as 945582	
19	Cone with Filter	nss	1	Available as 945582	
20	Screw	nss	1	Available as 945582	
18-20	Cone with Filter Set	945582	1	Incl. Items 18, 19 and 20	
21	Mounting Pin	nss	1		
22	Citrus Cover	nss	1		
23	Bowl Cover	nss	1		
24	Bowl Cover Spring	nss	1		
25	Handle Bar	nss	1		
25A	Handle Bar Complete	945599	1	Incl. Item 21, 22, 23, 24, 25,26 and 9	
26	Locking Pin Handle Bar	nss			
27	Shaft Seal	nss	1	Available as 945575	
28	Shaft Buckle	nss	1	Available as 945575	
27 + 28	Shaft Protector	945575	1		
29	Oil Seal	945605	1		
30	Spring Washer	n/a	2		
31	Sockethead screw M6*16	n/a	2		
32	Foot (Front)	nss	2	Available as 945544	
33	Bushing	n/a	1		
34	Feet (set of 4)	945544	1	Incl. Items 12 (2X), 13(4X) and 34(2X)	

n/a -> not available

nss -> not sold separately

Circuit diagram

 <b>Hendi B.V.</b> Steenoven 21 3911 TX Rhenen The Netherlands	<b>Batch #</b>	<b>Appliance part#</b>
	000000 and up	<b>221099</b>
	<b>Description</b>	
	Citrus Juicer Electric	

<b>Date</b>	21-08-2018	<b>Revision #</b>	1.0
<b>Revision</b>	First Bill of Materials (BOM)		

Not Available.