

Apach

COOK *line*

Catalogo parti di ricambio valido
dalla matricola 0000001 (31.10.2006) ad oggi (17.02.2023)

Catalogue pieces detachees
valable à partir du numero de Série n. 0000001 (31.10.2006) jusqu'à aujourd'hui
(17.02.2023)

Ersatzteilkatalog
gültig ab Serien-Nr. 0000001 (31.10.2006) bis heute (17.02.2023)

Spare parts catalogue
valid from serial no. 0000001 (31.10.2006) up today (17.02.2023)

Catálogo de peças de reposição
válido do número de série 0000001 (31.10.2006) até hoje (17.02.2023)

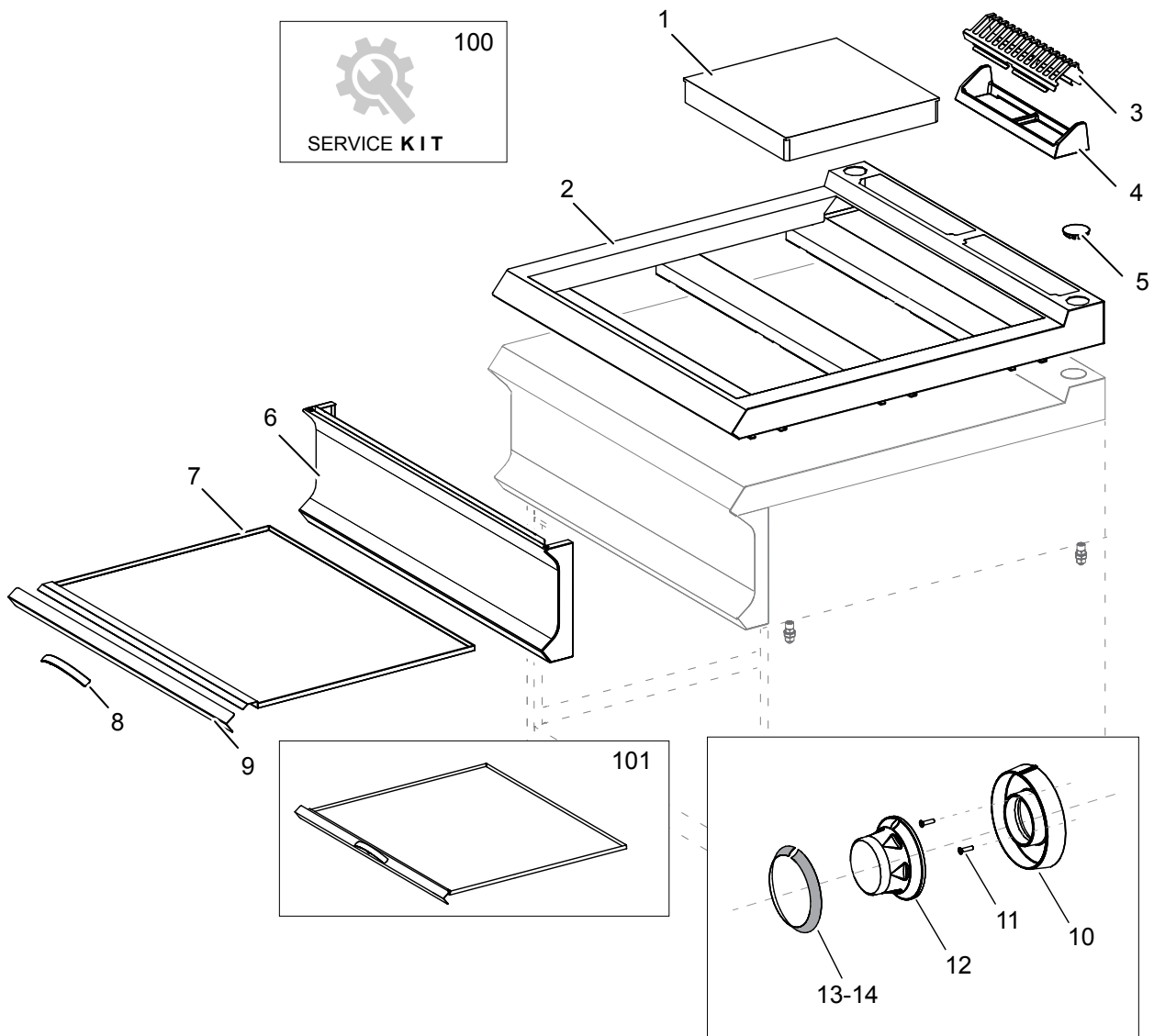
Le informazioni sono considerate non vincolanti. Le immagini rappresentate sono puramente indicative. Il produttore si riserva il diritto di apportare modifiche in qualsiasi momento senza preavviso.

Les informations données ne sont pas contraignantes. Les images montrées sont à titre indicatif. Le producteur se réserve le droit d'apporter des modifications sans préavis.

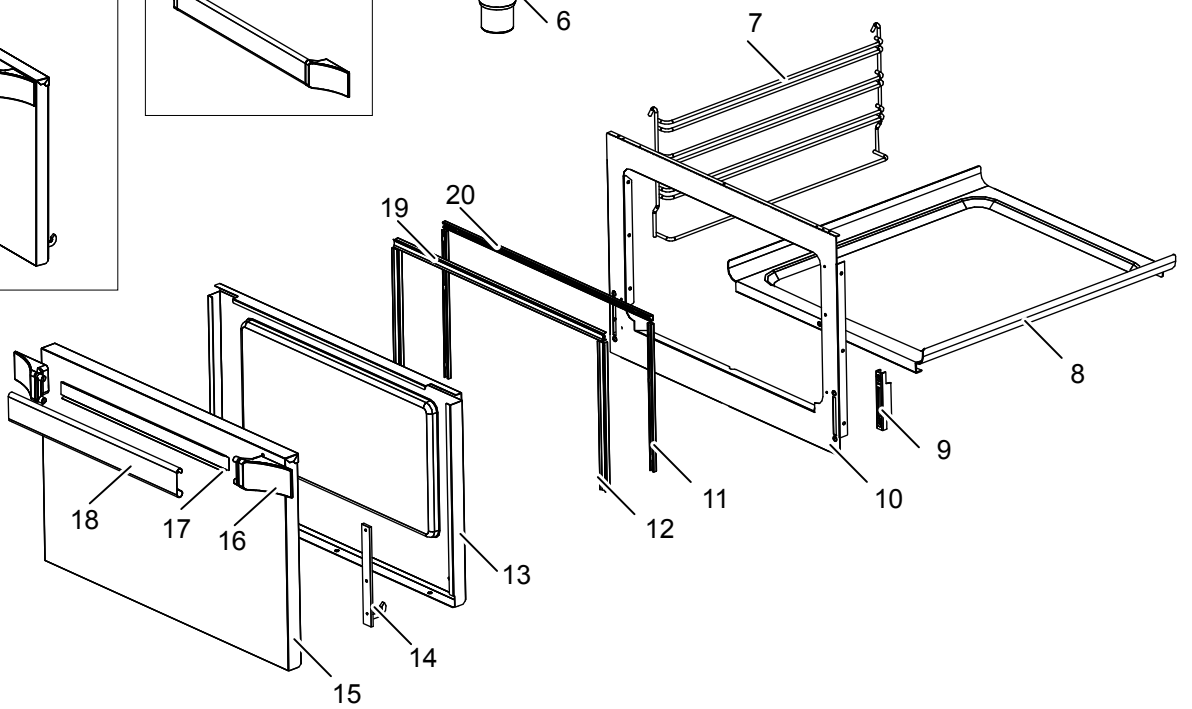
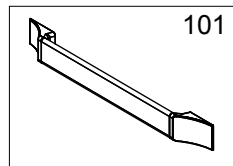
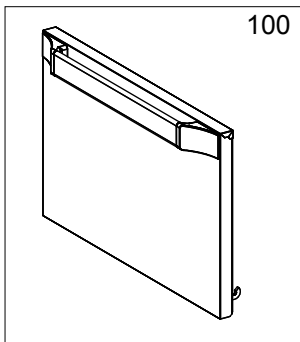
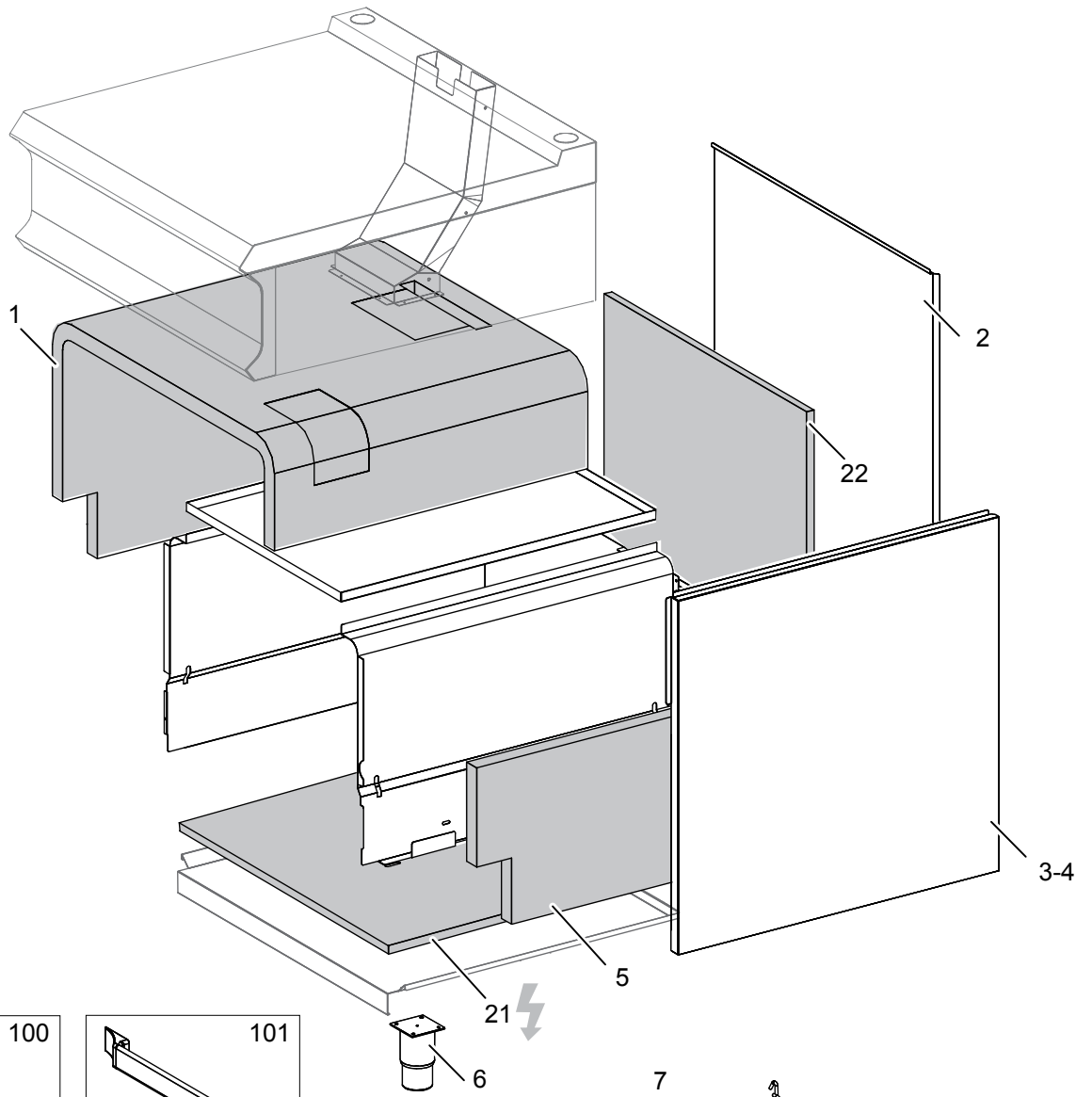
Die im vorliegenden Dokument aufgeführten Informationen und Bilder sind unverbindlich. Der Hersteller behält sich das Recht vor, jederzeit ohne vorherige Ankündigung Änderungen vorzunehmen

Info and drawing could be slightly different from reality and they cannot be considered as compelling. Manufacturer can modify info anytime without forewarning.

As Informações e desenhoS podem estar um pouco diferente da realidade e são puramente indicativas. O fabricante pode modificar estas informações a qualquer momento sem aviso prévio.

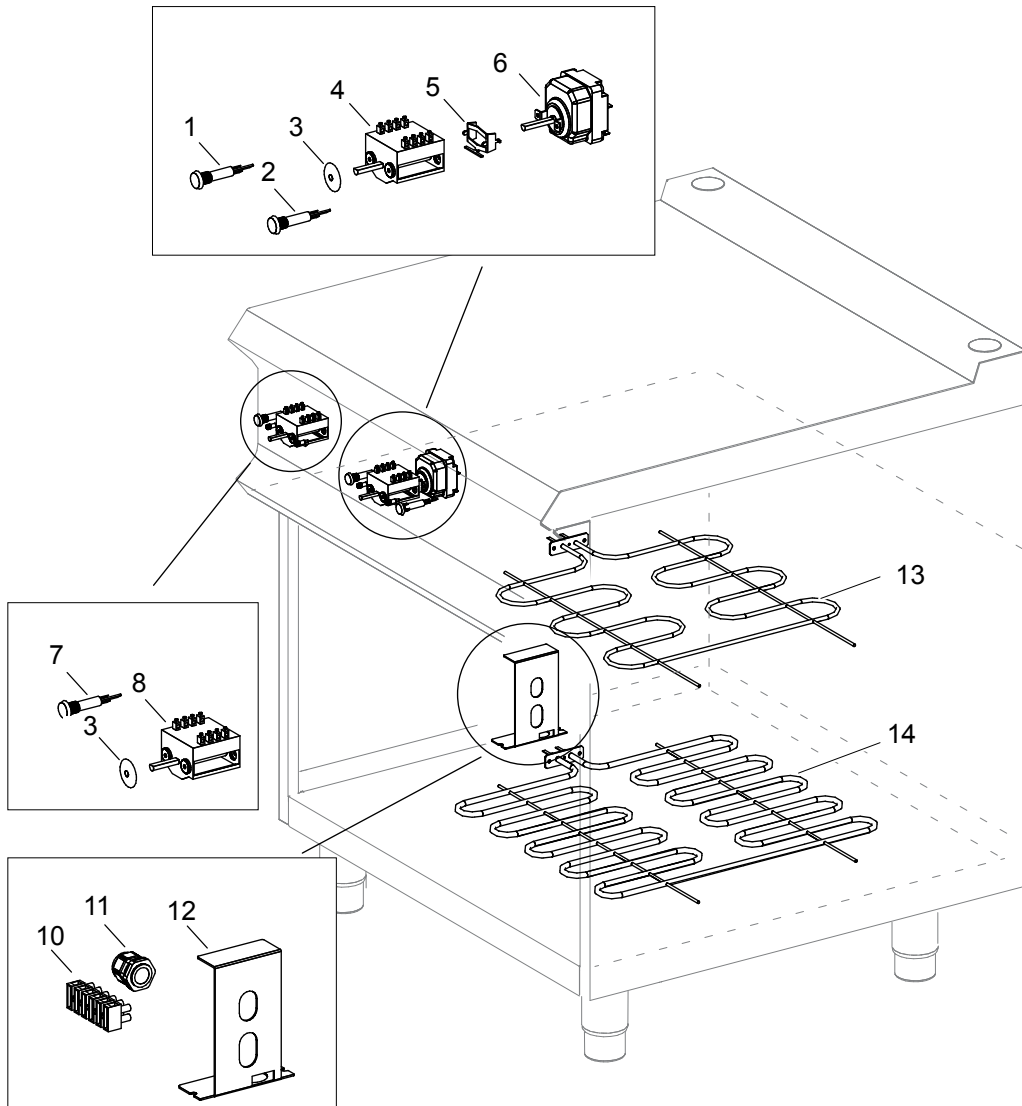


Nr.	Code	Title	Recommended
1.	182469	<i>ELECTRIC PLATE 2,5 KW</i>	✓
2.	204173	<i>STAINLESS STEEL TOP</i>	
3.	202046	<i>CHIMNEY GRILL</i>	
5.	200787	<i>STOPPER</i>	
6.	204168	<i>CONTROL PANEL</i>	
7.	203301	<i>DRIP TRAY</i>	
8.	160270	<i>HANDLE SATIN NICKEL</i>	
9.	204317	<i>EXTERNAL DRAWER PANEL</i>	
12.	202200	<i>COMMUTATOR KNOB</i>	
13.	200349	<i>SWITCH RING</i>	
14.	200487	<i>OVEN RING</i>	
100.			
101.	RIC0005154	<i>DRAWER COMPLETE</i>	



2

Nr.	Code	Title	Recommended
1.	180414	LEFT SIDE INSULATING PANEL	
2.	200470	HIGH REAR	
3.	162641	REAR DRAWER INSULATING PANEL	
4.	201556	RIGHT SIDE	
5.	201557	LEFT SIDE	
6.	180413	UPPER RIGHT INSULATING PANEL	
7.	162642	BOTTOM INSULATING PANEL	
8.	RTCU700277	FOOT	
9.	179341	OVEN LATERAL SIDE	
10.	162759	OVEN PLATE	
11.	RTCU900004	SUPPORT FOR OVEN HINGE	
12.	202451	FRONT PANEL	
13.	184105	SIDE SEAL PROFILE	✓
14.	163888	LATERAL GASKET FOR OVEN DOOR	✓
15.	202466	OVEN INNER DOOR	
16.	RTCU900027	LEFT OVEN DOOR HINGE	✓
17.	RTCU900026	RIGHT HINGE DOOR	✓
18.	202467	OVEN DOOR	
19.	201706	HANDLE TERMINAL	
21.	203632	HANDLE	
22.	163889	UPPER GASKET FOR OVEN DOOR	✓
23.	184111	GASKET HOLDER	✓
100.	RIC0005148	OVEN DOOR COMPLETE	
101.	RIC0005149	HANDLE OVEN	



Nr.	Code	Title	Recommended
1.	166465	<i>GREEN WARNING LIGHT</i>	✓
2.	166466	<i>ORANGE LAMP LIGHT</i>	✓
3.	RTCU800185	<i>GASKET FOR COMMUTATOR ROD</i>	✓
4.	167516	<i>COMMUTATOR</i>	✓
6.	RTCU600067	<i>WORKING THERMOSTAT</i>	✓
7.	RTCU800152	<i>SAFETY THERMOSTAT</i>	✓
8.	RTCU700078	<i>ELECTRIC PLATE COMMUTATOR</i>	✓
10.	166465	<i>GREEN WARNING LIGHT</i>	✓
11.	RTBF900045	<i>TERMINAL BOARD</i>	
12.	RTBF800138	<i>CHOCK</i>	
13.	200138	<i>TERMINAL BLOCK SUPPORT</i>	
14.	161661	<i>OVEN HEATING ELEMENT 3,75KW</i>	✓
15.	182701	<i>GRILL HEATING ELEMENT 2,2KW</i>	✓