

Brandt



GUIDE D'INSTALLATION ET D'UTILISATION FR

GUIDE FOR INSTALLATION AND USE EN

GUIA DE INSTALAÇÃO E DE UTILIZAÇÃO PT

Table de cuisson

Cooking hob

Placa de cozinha



BPG6210*

BPG6413*

FR 02 Dear Customer,

EN 26 You have just acquired a **BRANDT** product and we would like to thank you.

PT 48 We have designed and made this product with you, your lifestyle and your requirements in mind so that it meets your expectations. We have devoted our know-how, our innovative spirit and the passion that has been guiding us for over 60 years.

In an effort to ensure that our products meet your requirements in the best possible way, our Customer Relations department is at your disposal, to answer all your questions and to listen to all your suggestions.

Visit our website www.brandt.com where you will find our latest innovations, as well as useful and complementary information.

BRANDT is delighted to assist you every day and hopes you get the most out of your purchase.

 **Important: Before using your appliance, read this user guide carefully to familiarise yourself more quickly with its operation.**

● Safety recommendations	28
● Environmental protection	30
● Description of your appliance.....	31
1 / INSTALLING YOUR APPLIANCE	
● Proper positioning.....	32
● Flush mounting.....	32
● Tips for flush mounting	33
● Electrical connection.....	33
● Gas connection	34
● Changing the gas supply	36
2 / USING YOUR APPLIANCE	
● Description of the top.....	40
● Switching on gas burners.....	41
● Cookware to be used with gas burners.....	42
● Cookware for electric plate.....	43
● Switching on the electric plate	43
3 / DAILY CARE OF YOUR APPLIANCE	
● Maintaining your appliance.....	44
4 / SPECIAL MESSAGES, DIFFICULTIES	
● During operation.....	45
5 / COOKING CHART	
● Gas cooking guide	46
● Electric cooking guide.....	46
6 / AFTER-SALES SERVICE	47

IMPORTANT SAFETY INSTRUCTIONS - READ CAREFULLY AND RETAIN FOR FUTURE USE.

This user guide is available for download on the brand's website.

— We have designed this cooking hob for use by private individuals in their homes.

— This appliance must be installed in compliance with currently applicable regulations and used only in a well-ventilated location. Consult this guide before installing and using your appliance.

— All cooking should take place under your surveillance.

— These cooking hobs are intended exclusively for cooking beverages and foodstuffs and do not contain any asbestos-based materials.

— This appliance is not connected to a device for evacuating combustion products. It must be installed and connected in compliance with the regulations in force. Particular attention must be given to the guidelines concerning ventilation.

— Do not store **CLEANING** products or **FLAMMABLE** products (aerosol cans or pressurised containers, as well as papers, cookbooks, etc.) in the cabinet underneath your cooking hob.

— If you use a drawer located under the hob, we recommend that you avoid using it to store items that are heat sensitive (plastic, papers, aerosol cans, etc.).

— Your hob should be disconnected from power and

fuel supplies (electricity and gas) before any repairs.

— When you connect the power cables of any electrical appliances plugged in close to the hob, ensure that they are not in contact with the cooking zones.

— It must be possible to disconnect the appliance from the power supply, either using a plug or by fitting a switch on the fixed wiring system in accordance with installation rules.

— The electrical plug must remain accessible after installation.

— As a safety measure, do not forget to close the overall supply tap for gas distributed by pipe or the tap of the tank for butane or propane gas after use.

— Prior to installation, ensure that the local distribution conditions (nature of the gas and pressure of the gas) and the setting of the appliance are compatible.

— The **CE** mark is affixed to these hobs.

— Installation should only be performed by installers and qualified technicians.

— Do not use a steam cleaner.

— Consult this guide before installing and using your appliance.

— This appliance may be used by children aged 8 years and

older, and by persons with impaired physical sensorial or mental capacities, or without experience or knowledge, if they are supervised or have received prior instructions on how to use the appliance safely and have understood the risks involved. Children must not be allowed to play with the appliance. Cleaning and maintenance operations must not be carried out by children without supervision.

— Children must be supervised to prevent them from playing with the appliance.

— This hob is compliant with standard EN 60335-2-6 relating to the heating of cabinets and the Class 3 standard with regard to installation (as per standard EN 30-1-1).

— We do not recommend using any hob protection mechanism.

— This appliance is designed to be installed on a work surface only.

— If the power supply lead is damaged, it must be replaced by a H05V2V2F cable and three 1 mm² conductors.

— **WARNING:** Fire hazard: Do not store objects on the cooking surfaces.

— If a knob is difficult to turn, call your installer immediately.

— The conditions for setting this appliance are described on the label inside the bag or on the rating plate.

— In order to easily locate the

reference information for your appliance, we recommend that you note it on the "After-Sales Service Department and Customer Relations" page (this page also explains where to find this information on your appliance).

— **WARNING:** the appliance and the accessible parts of it will become hot during use. Be careful not to touch the heated elements. Children under the age of 8 years must not be allowed to touch the appliance, unless they are supervised continually.

- This appliance's packing materials are recyclable. Recycle them and help to protect the environment by disposing of them in the council receptacles provided for this purpose.

— **CAUTION:** The cooking process must be monitored. A short cooking process must be continuously monitored.

— When not monitored, cooking on a cooking plate with fat or oil can be dangerous and may cause a fire.

— If the power cable is damaged, it should be replaced by the manufacturer, its after-sales service department or by a similarly qualified person in order to avoid danger.

— This unit is not intended to be operated using an external timer or a separate remote control system.

— **WARNING:** It is dangerous to cook with oil or

fat if the hob is left unattended, as this may cause a fire. Do not attempt to extinguish a fire with water but switch off the appliance, then cover the flame with a lid or a fire blanket.

— **WARNING:** Risk of fire: do not use the cooking surfaces to store things.

— The use of a gas cooking appliance produces heat and humidity in the room where it is located. Ensure that the kitchen is well-ventilated: keep mechanical ventilation orifices open. Intensive and prolonged use of the appliance may require additional ventilation, for example opening a window, or more efficient ventilation, for example by increasing the power of the mechanical ventilation if present.

— Do not use recipients that overhang from the edge of the cooking hob.

— Never use aluminium foil for cooking. Never place products wrapped in aluminium foil or in aluminium trays on your hob. The aluminium will melt and permanently damage your appliance.

WARNING : In case of hotplate glass breakage :

- shut immediately off all burners and any electrical heating element and isolate the appliance from the power supply.

- do not touch the appliance surface,

- do not use the appliance.

• If a crack appears in the surface of the glass, disconnect your appliance from the power supply to avoid electric shock.

CARING FOR THE ENVIRONMENT

— This appliance’s packing materials are recyclable. Recycle them and play a role in protecting the environment by depositing them in local authority containers provided for this purpose.

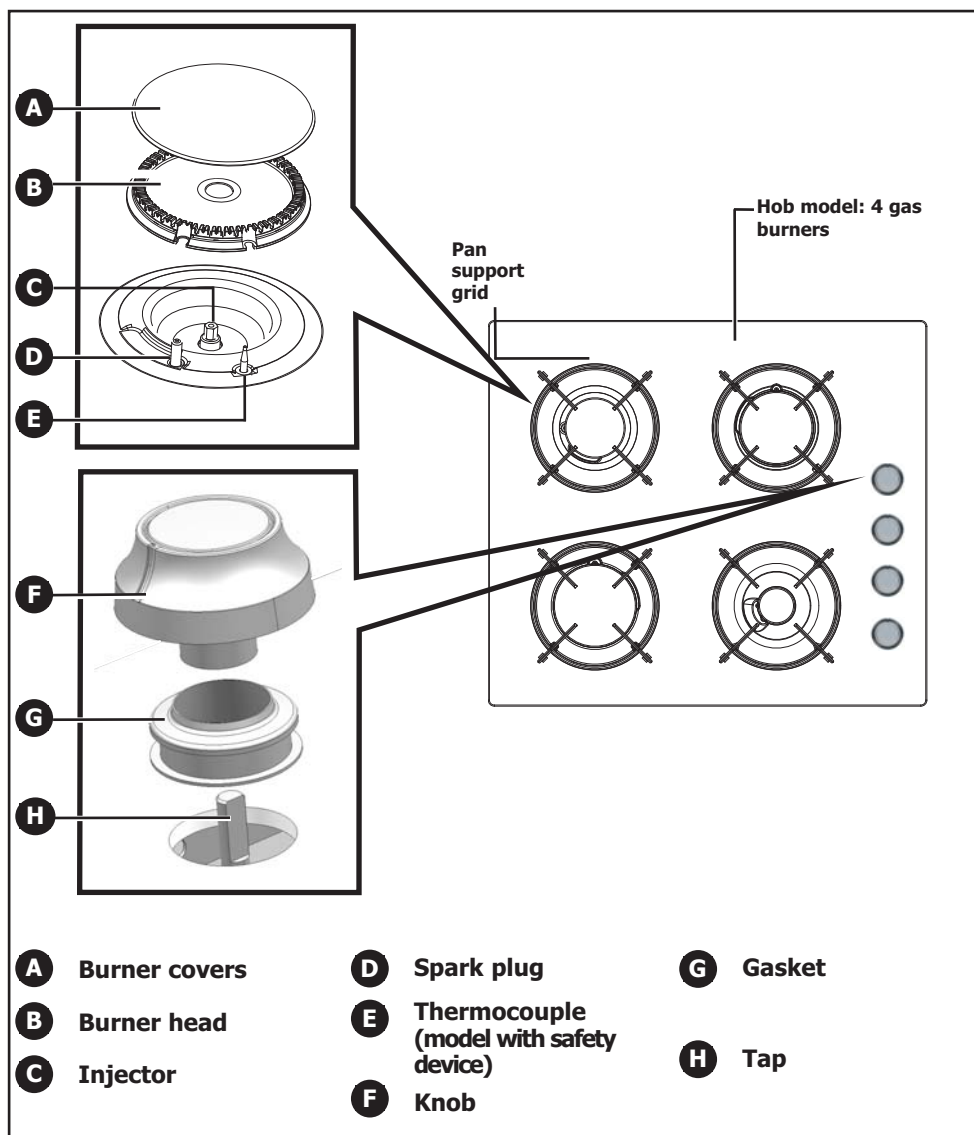


Your appliance also contains various recyclable materials. It is therefore marked

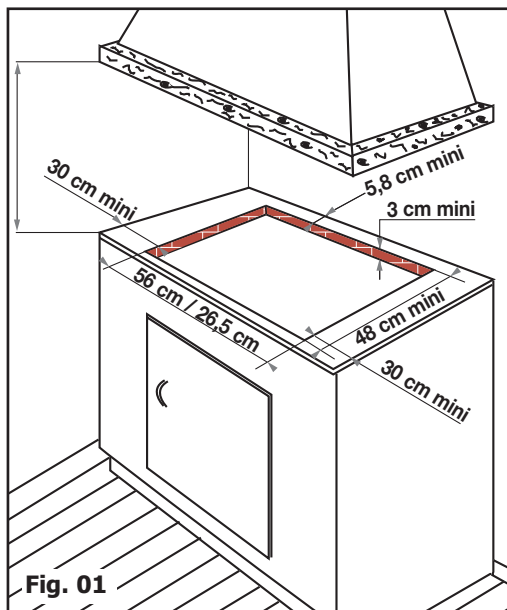
with this logo to indicate that, in European Union countries, used appliances must not be mixed with other waste. Appliance recycling organised by your manufacturer will thus be carried out in optimum conditions, in accordance with European directive 2002/96/CE relating to electrical and electronic equipment waste. Contact your local council or your retailer to find out the drop-off points for used appliances that are nearest to your home.

We thank you for your help in protecting the environment.

• DESCRIPTION OF YOUR HOB

**CONSEIL**

This Guide to Installation and Use is valid for several models. Minor differences in details and fittings may emerge between your appliance and the descriptions provided.



APPLIANCE				
	Width	Depth	Thickness	Model
Cut cabinet standard	56 cm	49 cm	According to cabinet	60 cm
Cut cabinet standard	26,5 cm	49 cm	According to cabinet	30 cm
Dimensions total above the work top	71 cm	52,2 cm	5 cm	60 cm
	31 cm	51 cm	5 cm	30 cm
Dimensions total below the work top	55,4 cm	47 cm	5,1 cm	60 cm
	26 cm	47 cm	5,1 cm	30 cm

• PROPER POSITIONING

Your appliance should be built in the surface of a support cabinet that is a minimum of three cm thick, made of a material that resists heat or that is covered with such a material.

So as not to disturb movement of cooking utensils, there should not be to the right or left or back any obstacle within 30 cm of the hob.

if a horizontal divider wall is positioned under the hob, it should be placed between 10 cm and 15 cm away from the top of the work top. In any event, do not store aerosol cans or containers under pressure in any compartment that may exist under the hob (See "Safety Recommendations" chapter).

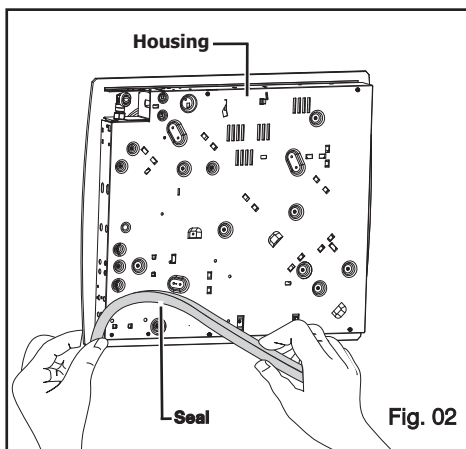
• FLUSH MOUNTING

To ensure that the hob and the work top are leaktight, glue the seal provided in the front pocket before installing the hob: Follow the diagram (Fig. 01).

— Remove the pan supports, the burner covers and burner heads, noting their positions.

— Turn the hob over and carefully place it on top of the opening in the cabinet so asnot to damage the knobs and spark plugs.

— To ensure a tight seal between the housing and the work top, glue the foam seal **along the exterior edge of the housing** (Fig. 02).



TIPS FOR FLUSH MOUNTING

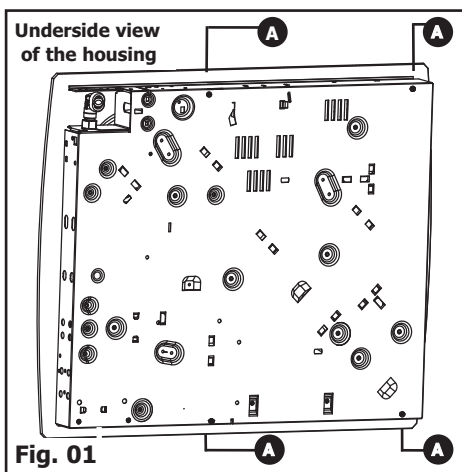


Fig. 01

A Mounting brackets

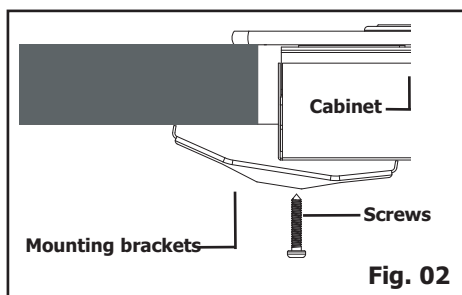


Fig. 02

— Place your hob in the opening of the support cabinet, carefully pulling the table toward you.

— Reposition the burner heads, burner covers and pan supports on the hob.

Connect your hob to the gas supply (See "Gas Connection" chapter) and to the power supply (See "Electrical Connection" chapter).

— If you wish, you can immobilise the hob using the four mounting brackets delivered with a screw (Fig. 02) to attach them to the four corners of the housing. **You must use the holes provided for this purpose, according to the diagram above (Fig. 01).**

— **Stop screwing when the mounting bracket starts to become deformed. Do not use a screwdriver.**

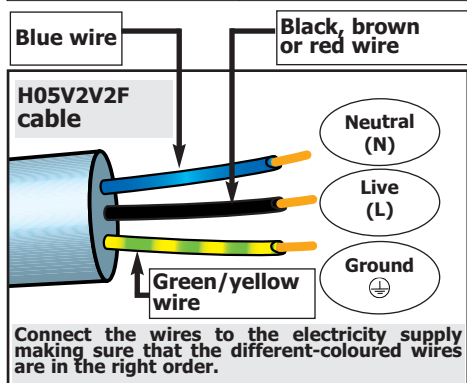
ELECTRICAL CONNECTION

The appliance must be plugged in using a standardized power cable with 3 conductors each 1 mm² (1 ph + 1 N + ground) which must be connected to the 220~240 Volt network by means of a standardized IEC 60083 power socket or a single-pole cut-off device in compliance with installation regulations. The safety wire (green-yellow) is connected to the appliance's ground terminal and must be connected to the installation's ground lead.

The plug of the electrical outlet must be accessible after installation.

CROSS-SECTION OF CABLE TO BE USED

220-240 V _~ - 50 Hz	
H05V2V2F cable - T90 Ref. SAV : 77x9060	3 conductors including 1 ground
Cross-section of conductors in mm ²	1
Fuse	10 A



TIP : Using a gas cooking appliance results in the generation of heat and humidity in the location where it is installed. **Make sure that your kitchen is well-ventilated:** keep natural ventilation openings in your home clear or install a mechanical ventilation device (mechanical ventilation hood).

Intensive, prolonged use of the appliance may require additional ventilation; you can, for example, open a window or provide more effective ventilation by increasing the power of the mechanical ventilation system, if you have one. (A minimum air flow of 2 m³/hr per kW of gas power is required).

Exemple : 60 cm - 4 feux gaz
 (modèle avec brûleur grand rapide)
 Puissance totale : 3,1 + 0,85 + 1,5 + 2,25 = 7,70 kW
 7,70 kW x 2 = 15,4 m³/h of
 minimum flow.

• GAS CONNECTION

• Preliminary comments

If your hob is installed above an oven or if proximity to other heating elements poses a threat of overheating the connection, you must insulate the cable in a rigid pipe.

If a hose or soft pipe (in the case of butane gas) is used, it should not come into contact with a moving part of the cabinet, nor should it pass through a location that may become blocked.

The gas connection must be installed in compliance with applicable regulations in the country of installation.

• Gas distributed via natural gas pipes

For your safety, you must choose from the three following connection options:

— **Connection with a rigid pipe** made from copper and with screw-on mechanical connectors (G1/2 gas standard mark). Make the connection directly to the end of the elbow fitted on the appliance.

— **Connection with a wavy metal hose** (stainless steel) with screw-on **mechanical connectors** whose service life is unlimited (Fig. A).

— **Connection with a reinforced flexible rubber hose** with screw-on **mechanical connectors** whose service life is 10 years (Fig. B).

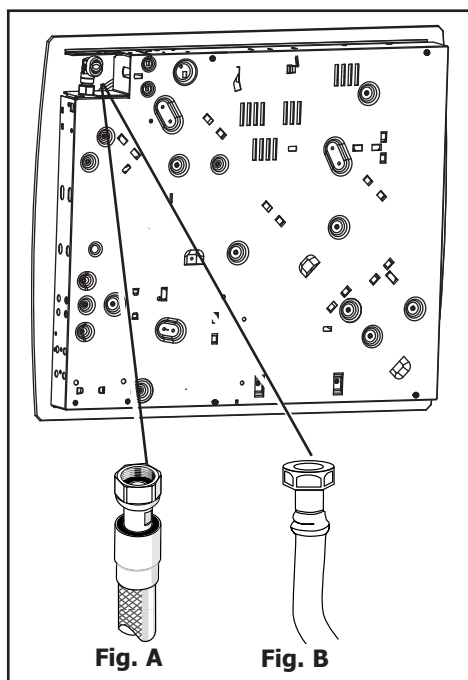


WARNING

When connecting your hob's gas supply, if you have to change the direction of the elbow fitted on the appliance:

- **Change the gasket.**

Screw on the elbow's nut, careful not to exceed a torque of 17 N.m.



• Gas supplied by tank or cylinder (butane/propane)

For your safety, you must choose from the three following connection options:

— **Connection with a rigid pipe** made from copper and with screw-on mechanical connectors (G1/2 gas standard mark). Make the connection directly to the end of the elbow fitted on the appliance.

— **Connection with a wavy metal hose** (stainless steel) with screw-on **mechanical connectors** whose service life is unlimited (Fig. 01).

— **Connection with a reinforced flexible rubber hose** with screw-on **mechanical connectors** whose service life is 10 years (Fig. 02).

In an existing system, a soft pipe fitted with clamps whose service life is five years may be used. It is necessary in this case to use an adaptor without forgetting to fit a sealing washer between the adaptor and the hob's elbow. (Fig. 03).



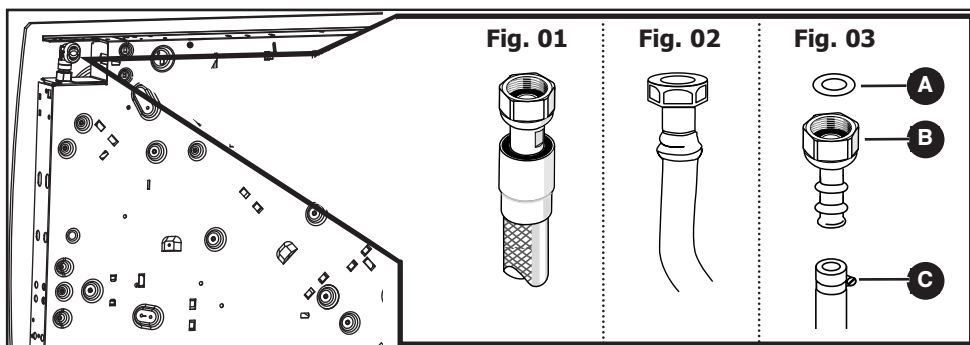
TIP

You can obtain the adaptor and the sealing washer from your After-Sales Service Department.



WARNING

Screw on the adaptor with a torque not exceeding 25 N.m.



- A** Sealing washer (not provided)
- B** Adaptor (not supplied)
- C** Clamp (not provided)



WARNING

All soft pipes and hoses whose service life is limited must have a maximum length of two meters and must be accessible along their entire length. They must be replaced before the end of their service life (indicated on the pipe). Regardless of the means of connection chosen, ensure that the connection is air tight, after installation, with soapy water.

• **CHANGING THE GAS SUPPLY**

⚠ WARNING
Your appliance is sold pre-set for natural gas.
The injectors required for adaption to butane/propane can be found in the plastic bag containing this guide.

Each time you change the gas supply, you must complete the following:

- Adapt the gas connection
- Change the injectors
- Adjust the hob connections.

• **Adapt the gas connection:** Refer to the "Gas Connection" section.

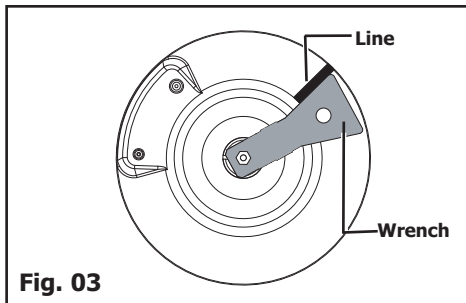
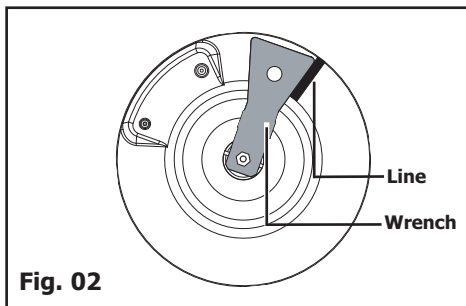
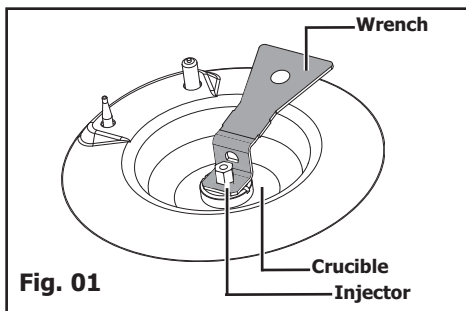
• **Change the injectors,** proceeding as follows:

- Remove the pan supports, heads and covers from all burners.
- Using the wrench provided, unscrew the injectors located under each crucible and remove them (Fig. 01).
- replace with the corresponding gas injectors, in compliance with the positioning of the injectors and the table of gas properties at the end of this section ; to do so:
 - First screw them in manually until the injector locks into place.
 - Apply the wrench to the injector as far as it will go.
 - Draw a line on the burner plate using a pencil at the place indicated (Fig. 02).
 - Turn the wrench clockwise until the line appears on the other side(Fig. 03).

⚠ Warning
Exceeding this limit may damage the product.

- Reposition the burner heads, burner covers and pan supports on the hob.

🔍 TIP
 Each time you change the gas supply, tick the box corresponding to the new gas level on the label found in the plastic bag. Refer to the corresponding "Gas Connection" section.



• **Adjust the hob connections:** they are located underneath the knobs (Fig. 04).

- Proceed one tap at a time.
- Remove the knobs and the gaskets by pulling them up.

- Switching from natural gas to butane/propane gas

- With a small flat-head screwdriver, **screw in all the way** the brass (yellow) burner power screws (Fig. 05), **in a clockwise direction.**

- Replace the gaskets and the knobs, paying careful attention to their direction and ensuring that the knobs are pushed in all the way.

- Switching from butane/propane gas to natural gas

- Unscrew the brass (yellow) burner power screws (Fig. 05), using a small flat-head screwdriver, **turn twice counterclockwise.**

- Replace the knob.

- Light the burner in maximum heat mode, then turn down to reduced heat mode.

- Remove the knob again, then turn the burner power screws **clockwise** until it reaches the lowest possible setting that does not extinguish the flame.

- Replace the gasket and knob.

- Make several attempts to shift from the maximum flow rate to the minimum: **the flame should not go out**; if it does, unscrew the burner power screw so as to obtain good flame retention during these position switches.

- Reposition the burner heads, burner covers and pan supports on the hob.

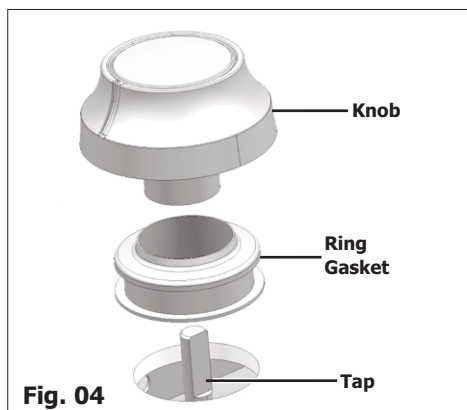


Fig. 04

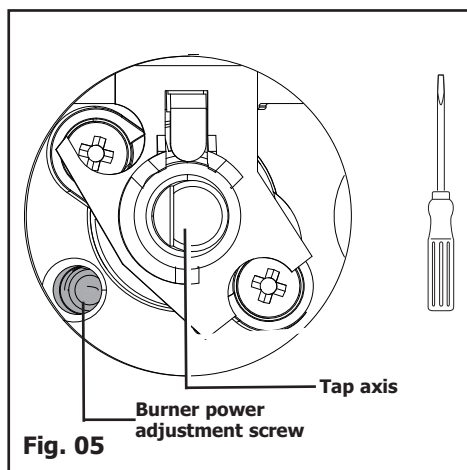
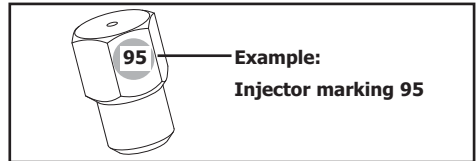


Fig. 05

• Markings on the injectors

The adjacent table shows where the injectors are positioned on your appliance according to the type of gas used. Each number is marked on the injector.



MODELS*

60cm Hob 3 gas burners + 1 electric plate

Natural Gas		Butane gas/ Propane	
	1R		7R
137	63	88A	45

60 cm Hob 4 gas burners

Natural Gas		Gaz butane/ Propane	
94	1R	62	7R
137	63	88A	45

30 cm Hob 2 gas burners

Natural Gas	Butane gas/ Propane
137	88A
94	62

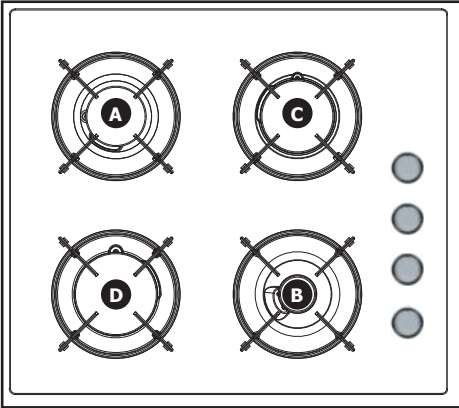
* See "Description of the Top" chapter

• Gas properties

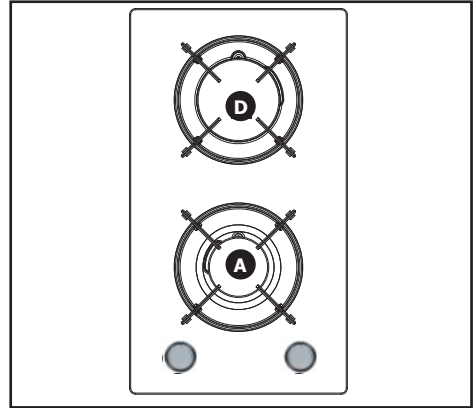
	FR - GB - PT		FR - GB - PT - DK	FR	DK	
Appareil destiné à être installé en :	Butane	Propane	Gaz naturel	Gaz naturel	Butane	Propane
FR.....cat : II2E+3+	G30	G31	G20	G25	G30	G31
GB - PTcat : II2H3+						
DKcat : II2H3B/P						
Hourly rate below: at 15°C under 1013 mbar	28-30 mbar	37 mbar	20 mbar	25 mbar	30 mbar	30 mbar
HIGH-SPEED BURNER						
Marking engraved on injector	7R	7R	1R	1R	7R	7R
Nominal heat release rate (kW)	2,15	2,15	2,25	2,25	2,15	1,94
Reduced heat release rate (kW)	0,830		0,870	0,870	0,830	
Hourly rate (g/h)	156	154			156	138
Hourly rate (l/h)			214	249		
SUPER-FAST BURNER						
Marking engraved on injector	88A	88A	137	137	88A	88A
Nominal heat release rate (kW)	3,10	3,10	3,10	3,10	3,10	2,79
Reduced heat release rate (kW)	0,830		0,870	0,870	0,830	
Hourly rate (g/h)	225	221			225	199
Hourly rate (l/h)			295	343		
SEMI-FAST BURNER						
Marking engraved on injector	62	62	94	94	62	62
Nominal heat release rate (kW)	1,50	1,50	1,50	1,50	1,50	1,35
Reduced heat release rate (kW)	0,620		0,615	0,615	0,620	
Hourly rate (g/h)	109	107			109	96
Hourly rate (l/h)			143	166		
AUXILIARY BURNER						
Marking engraved on injector	45	45	63	63	45	45
Nominal heat release rate (kW)	0,70	0,70	0,85	0,85	0,70	0,63
Reduced heat release rate (kW)	0,300		0,350	0,350	0,300	
Hourly rate (g/h)	51	50			51	45
Hourly rate (l/h)			81	94		
HOB 4 GAS BURNERS						
Total heat release rate (kW)	7,45	7,45	7,70	7,70	7,45	6,71
Maximum flow rate (g/h)	541	532			541	478
			733	852		
HOB 3+1 ELECTRIC PLATE 1500 W WITH SUPER FAST						
Total heat release rate (kW)	5,95	5,95	6,20	6,20	5,95	5,36
Maximum flow rate (g/h)	432	425			432	382
			590	686		
HOB 2 GAS BURNERS						
Total heat release rate (kW)	4,60	4,60	4,60	4,60	4,60	4,14
Maximum flow rate (g/h)	334	328			334	295
			438	509		

• DESCRIPTION OF THE TOP

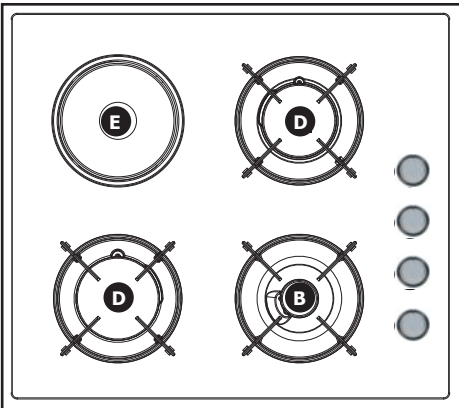
Hob model: 4 gas burners



Hob model: 2 gas burners



Model: 3+1 electric



- A** Semi-fast burner 1.50 kW (*)
- B** Auxiliary burner 0.85 kW (*)
- C** High-speed burner 2.25 kW (*)
- D** Super-fast burner 3.10 kW (*)
- E** Electric plate diameter 145 - 1.5 kW

(*) Power obtained with natural gas G20

• SWITCHING ON GAS BURNERS

Each burner is supplied by a tap which can be opened by pressing it and turning it in a counterclockwise motion.

The point "●" corresponds to a closed tap.

— Choose the desired burner by using the symbols located near the knobs (e.g. : right back burner ○).

Your hob is fitted with a burner-lighting system built into the knobs.

To light a burner :

— Press on the knob and turn it in a counterclockwise direction ↶ to the maximum setting ✨🔥.

— Continue to press on the knob to produce a series of sparks until the burner lights.

The setting for more moderate flame intensities is between the symbol ✨🔥 and the symbol 🔥 .

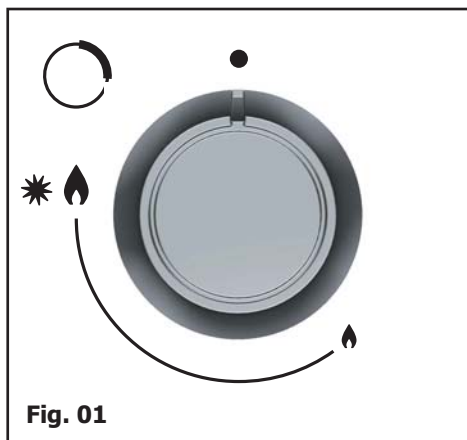


Fig. 01

⚠ WARNING
 — Hold the knob completely pressed down for a few seconds after the flame appears to trigger the safety system.

🔍 Tip
 When a knob becomes difficult to turn, do not force it. Request an emergency service call for the installer. If the flame goes out accidentally, reignite normally following the starter instructions.

• **COOKWARE TO BE USED WITH GAS BURNERS**

• **Which burner should you use depending on your cookware?**

Diameter of the cookware	Diameter of the cookware	Use
18 to 28 cm	High-speed	Searing foods
16 to 22 cm	speed	
12 to 20 cm	Semi-fast	Sauces - Reheating
8 to 14 cm	Auxiliary	Gentle simmer



WARNING

— Adjust the ring of flames so that they do not extend beyond the edges of the cookware (Fig. 01).

— Do not use concave or convex cookware without the appropriate supports (Fig. 02).

— Do not use cookware that partially covers the knobs (Fig. 03).

— Do not leave a gas burner operating with empty cookware.

— Do not use heat regulators, toasters, steel meat broilers or stewpots that have feet resting on or touching the glass worktop

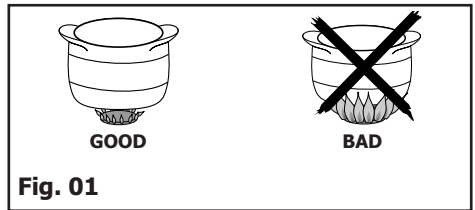


Fig. 01

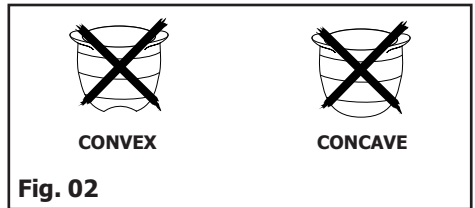


Fig. 02

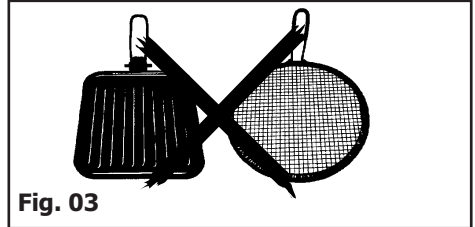


Fig. 03

• MOST SUITABLE COOKWARE TO BE USED WITH THE ELECTRIC PLATE (depending on model)

Use cookware with flat bottoms that are perfectly flush with the surface of the burner:

- in stainless steel with a thick, tri-metal or "sandwich" bottom,
- in aluminium with a thick (smooth) bottom,
- in enamelled steel.

• SWITCHING ON THE ELECTRIC PLATE (depending on the model)

Position the knob on the marking that corresponds to the desired type of cooking (Fig. 01) (see cooking guide at the end of this guide). The cooking zone's power indicator lights up.

Upon first use, allow the plate to heat up with no cookware at maximum power for 3 minutes to harden the coating.

TIP

— Use cookware of an appropriate size: the diameter of the bottom of the cookware should be equal to or greater than the diameter of the electric cooking plate (Fig. 02).

— When cooking is nearly finished, turn the knob to the "0" off position to take advantage of the heat accumulated in the plate.

— Use a lid on your cookware as often as possible to reduce the loss of heat by evaporation.

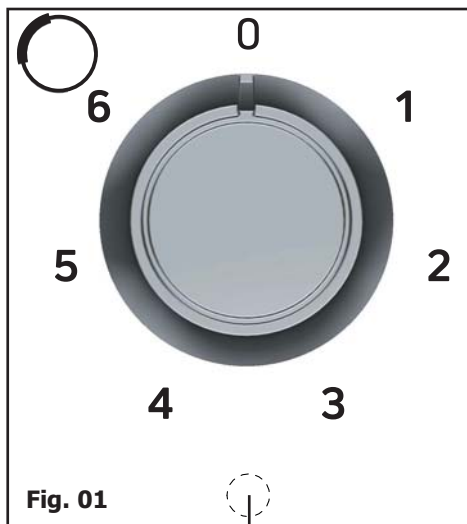


Fig. 01

Power indicator

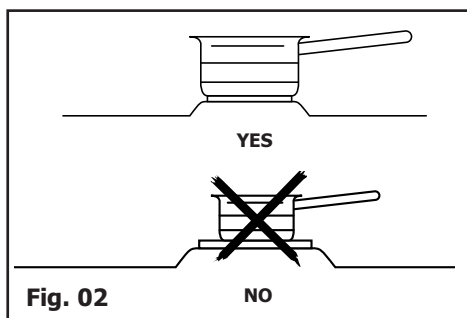


Fig. 02



WARNING

- Do not operate an electric cooking plate without cookware (except during initial use) or with an empty pot.

- The electric plate will remain hot for a certain time after the knob has been turned to the "0" position. Do not touch this zone because there is a risk of burning.

• MAINTAINING YOUR APPLIANCE

MAINTENANCE.....	WHAT TO DO	PRODUCTS/ACCESSORIES TO BE USED
Of the spark plugs and injectors	<p>In the event that the spark plugs become soiled, clean them using a small, hard-bristled brush (non-metallic).</p> <p>The gas injector is located in the centre of the burner in the shape of a dish. Be careful not to obstruct it during cleaning, as this will undermine the performance of your hob. In the event of obstruction, use a safety pin to unclog the injector.</p>	<ul style="list-style-type: none"> . Small, hard-bristled brush. . Safety pin
Of the pan supports and gas burners	<p>If tough stains occur, use a non-abrasive cream, then rinse with clean water. Carefully wipe each part of the burner before using your hob again.</p>	<ul style="list-style-type: none"> . Gentle scrubbing cream . Cleaning sponge
Of the electric plate	<ul style="list-style-type: none"> - The heating plate is protected by a black coating, so you should avoid using any abrasive products. After each use, wipe it down with a thick cloth. - If the plate rusts, remove it and restore the black coating using a commercially available high-temperature restorative product. 	<ul style="list-style-type: none"> . Commercially available restorative product.
Of the glass worktop	<ul style="list-style-type: none"> - Clean with warm water and then wipe. For tough stains, use products designed for vitroc ceramic glass. 	<ul style="list-style-type: none"> - Cleaning sponge. - Special vitroc ceramic glass products (e.g.: Cera-clean).



WARNING

Never clean your appliance while it is in operation. Set all the electric and gas controls to zero.



TIP

- It is better to clean the parts of the hob by hand rather than in the dishwasher.
- Do not use an abrasive sponge to clean your hob.
- Do not use steam cleaning.

• DURING OPERATION

YOU OBSERVE THAT:	WHAT YOU SHOULD DO:
<ul style="list-style-type: none"> • Lighting 	<ul style="list-style-type: none"> . Check the electrical connection of your appliance. . Check that the spark plugs are clean . Check that the burners are clean and properly assembled . If the hob is attached to the work top, check that the mounting brackets are not deformed. . Check that the gaskets under the knobs are not coming out of their lodging.
<ul style="list-style-type: none"> • When you press on a knob, there are sparks on all of the burners simultaneously. 	<p>This is normal. The lighting function is centralised and controls all of the burners simultaneously.</p>
<ul style="list-style-type: none"> • In reduced heat mode, the burner goes out or the flames remain high. 	<ul style="list-style-type: none"> . Avoid strong air currents in the room. . Check that the gas type being used corresponds to the injectors installed (Read about markings on the injectors in the "Changing the Gas Supply" chapter). Reminder: The cooking hobs are sold pre-set for use with network gas (natural gas). . Check that the burner power screws are properly set (See the "Changing the Gas Supply" chapter).
<ul style="list-style-type: none"> • The flames look irregular or uneven. 	<ul style="list-style-type: none"> . Check the cleanliness of the burners and injectors under the burners, the assembly of the burners, etc... . Check that there is enough gas in the bottle.
<ul style="list-style-type: none"> • During cooking, the knobs become hot. 	<ul style="list-style-type: none"> . Use small saucepans on the burners located closest to the knobs. Large cookware should be used on the largest burners, which are farther away from knobs. Properly place the saucepan in the centre of the burner. It should not spill over onto the knobs.
<ul style="list-style-type: none"> • On lighting, the flames light, then go out as soon as the knob is released. 	<ul style="list-style-type: none"> . Press firmly down on the knobs and hold them down for a few seconds after the appearance of flames. . Check that the parts of the burner are correctly mounted. . Check that the gaskets under the knobs are not coming out of their lodging. . Avoid strong draughts in the room. . Light your burner before placing your saucepan on it.

• GAS COOKING GUIDE

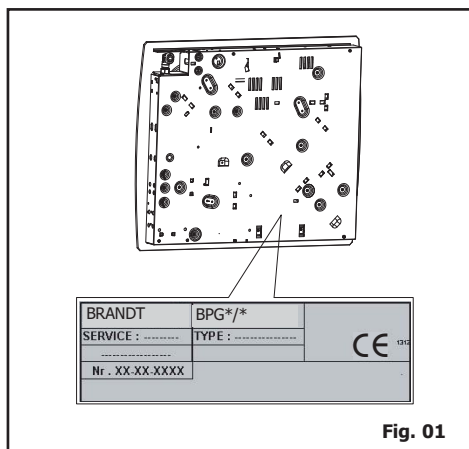
	PREPARATIONS	TIMES	SUPER FAST	FAST	SEMI-FAST	AUXILIARY
SOUPS	Bouillons Thick soups	8-10 minutes	X	X		
FISH	Court-bouillon Grilling	8-10 minutes 8-10 minutes	X X			
SAUCES	Hollandaise, béarnaise Béchamel, aurore	10 minutes			X X	X X
VEGETABLES	Endives, spinach Cooked peas Provençale tomatoes Golden brown potatoes Pasta	25-30 minutes 15-20 minutes	X X X X X	X X X		
MEATS	Steak Blanquette, Osso-bucco Sautéed poultry breasts Tournedos	90 minutes 10-12 minutes 10 minutes	X X X X			
FRIED FOODS	French fries Beignets		X X			
DESSERTS	Rice pudding Fruit compote Crêpes Chocolate Crème anglaise Coffee (small percolator)	25 minutes 3-4 minutes 3-4 minutes 10 minutes	X X	X	X X X	X X X X

• ELECTRICAL COOKING GUIDE

	PREPARATIONS	VERY HIGH 6	HIGH 5	MEDIUM 3-4	GENTLE SIMMER 2	KEEP WARM 1
SOUPS	Broths Thick soups	X → X X → X	X X	X		
FISH	Court-bouillon Frozen foods	X → X X → X	X X	X		
SAUCES	Thick with butter			X	X	
VEGETABLES	Endives, spinach Dry vegetables Boiled potatoes Golden-brown potatoes		X X X	X X		
MEATS	Steak Grilled food	X	X			
FRYING	French fries		X			
OTHER	Compotes Pancakes Custard Melted chocolate preserves Milk Pasta Rice pudding Keep warm	X X X	X X X → X	X X	X X X	X X X

•SERVICE CALLS

Any repairs to your appliance must be carried out by a qualified professional authorised to work on this brand. When you call, state your appliance's complete reference information (model, type, serial number). This information appears on the manufacturer's nameplate (Fig. 01).



ORIGINAL PARTS

During any servicing, request the use of **genuine replacement parts only.**



Brandt France - SAS with share capital of €100.000.000 RCS Nanterre 801 250 531.