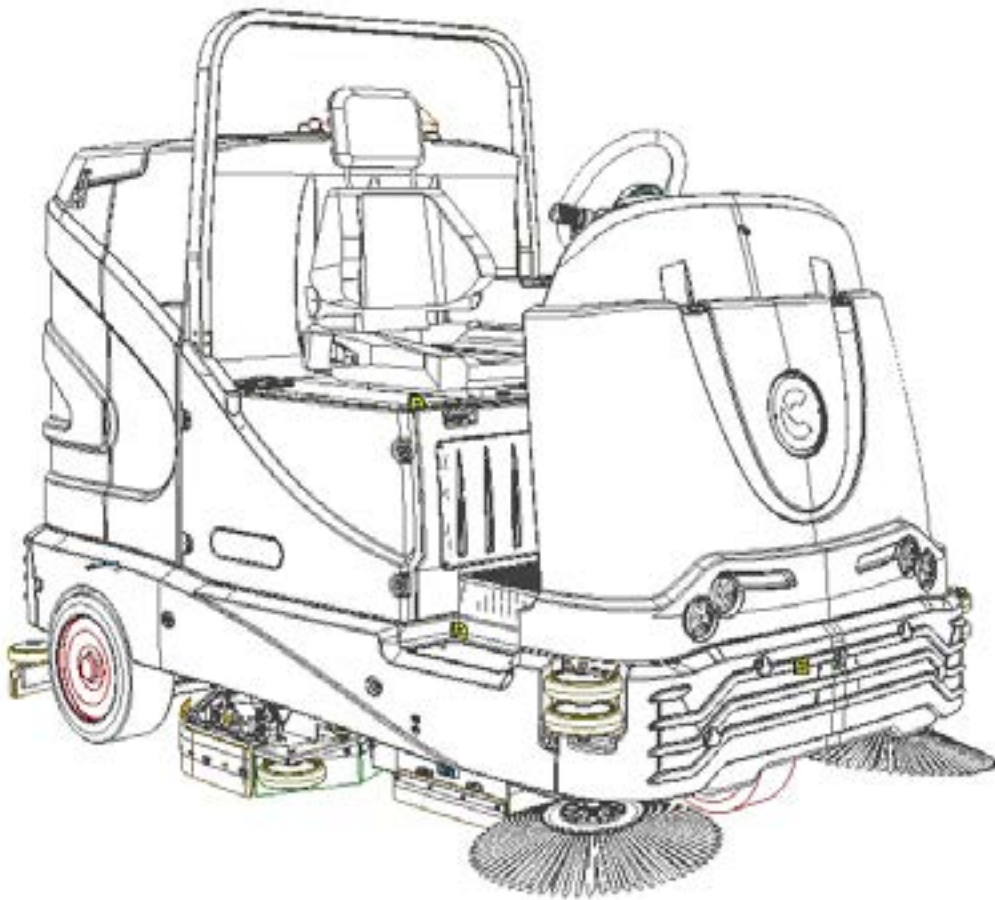




C120



PROFESSIONAL SCRUBBING MACHINES

IT **CATALOGO RICAMBI**
EN **SPARE PARTS CATALOGUE**
FR **CATALOGUE DE PIECES DETACHEES**

DE **ERSATZKATALOG**
ES **CATALOGO PIEZAS DE REPUESTO**



CR-01A PREM. BASAMENTO LAVANTE C120

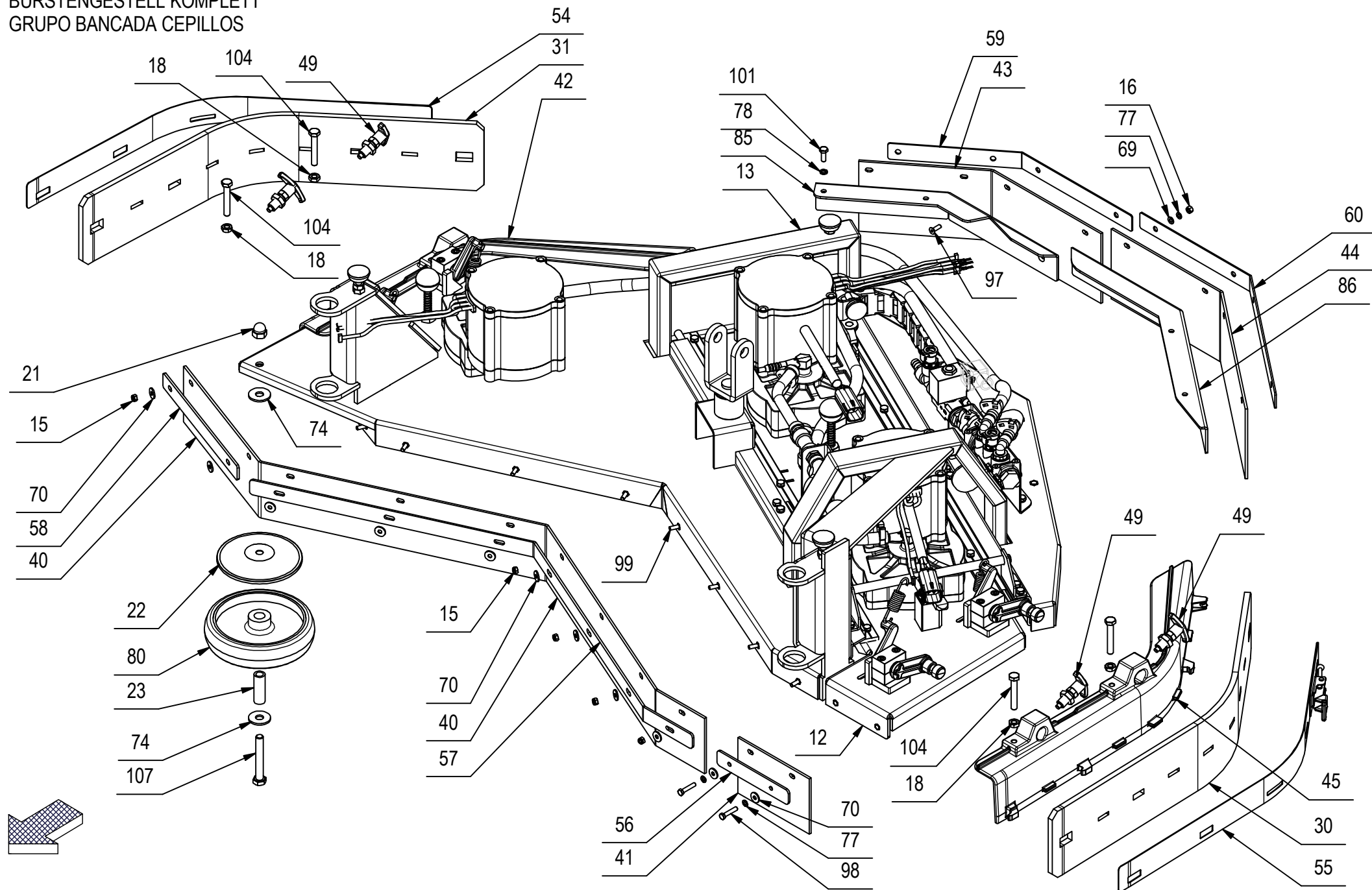
BRUSHES BASE ASSEMBLY

EMBASE DES BROSSES COMPLET

BÜRSTENGESTELL KOMPLETT

GRUPO BANCADA CEPILLOS

01A



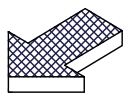
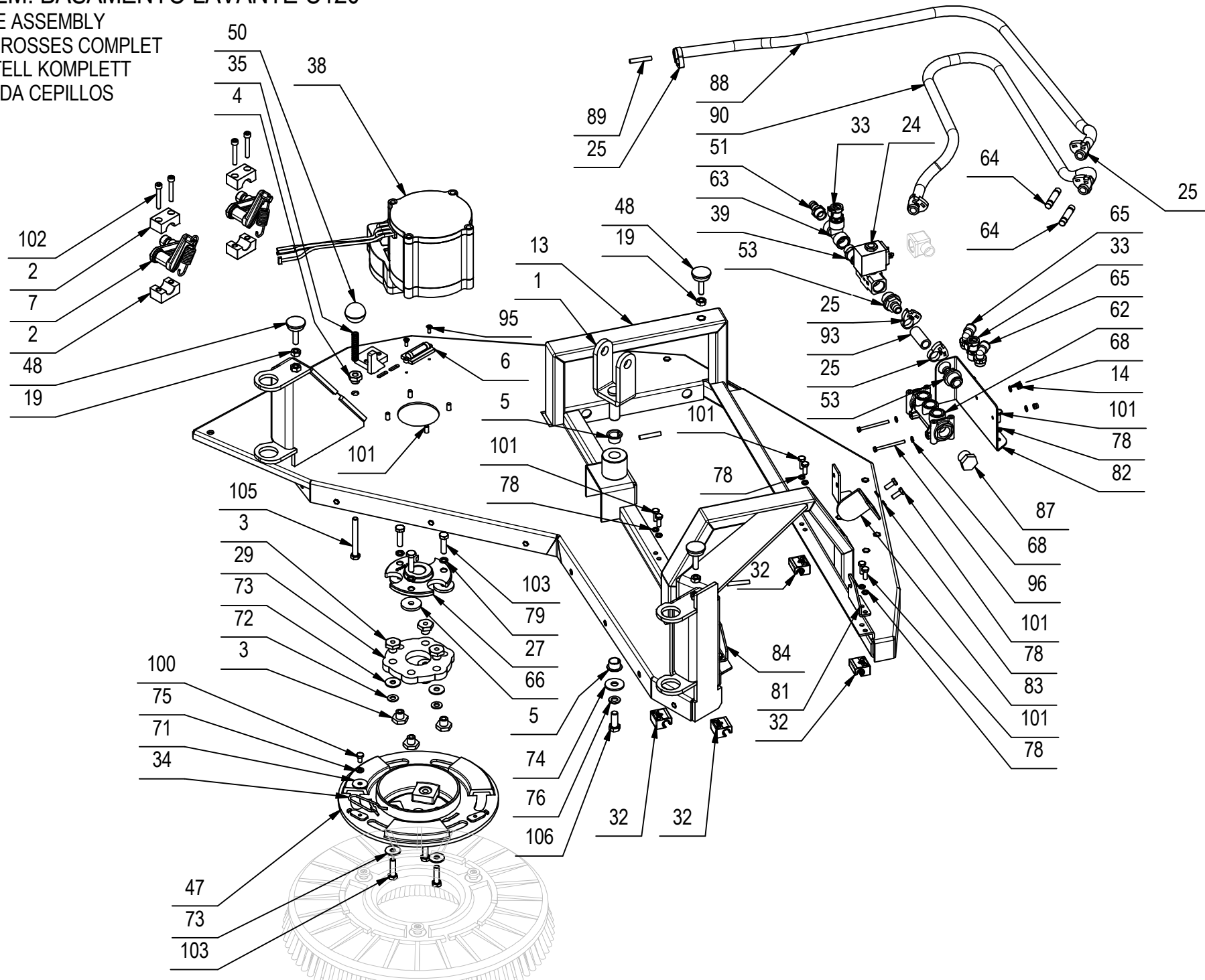
CR-01A PREM. BASAMENTO LAVANTE C120

01A

POS	CODICE	QTÀ	DESCRIZIONE	DESCRIPTION	DESIGNATION	BEZEICHNUNG	DESCRIPCÓN
1	448473	1	ATTACCO LEVA SOLL. BASAM. C85 2018	COUPLING	ATTAQUE	KUPPLUNG	ACOPLAMIENTO
2	445867	8	BLOCCHETTO PER ROTAZIONE ALBERO D.18	BLOCK	PETIT BLOC	ARRETIERUNG	BLOQUE
3	202467	18	BOCCOLA CH22 d=M8 S=17 AVP	BUSHING	BAGUE	BUCHSE	CASQUILLO
4	221055	3	BOCCOLA D=CH19-G1/4 d=8 S=13,5 AVP	BUSHING	BAGUE	BUCHSE	CASQUILLO
5	408058	2	BOCCOLA LAMEL. Ø18 x ø16 x H12 COLL. Ø24	BUSHING	BAGUE	BUCHSE	CASQUILLO
6	442965	1	BOLLA DI LIVELLO SINGOLA	BUBBLE LEVEL	NIVEAU A BULLE	BUBBLE LEVEL	NIVEL BURBUJA
7	445865	2	BRACCIO DX PARASPRUZZI MAGNA 2017 B	RIGHT ARM	BRAS DROITE	ARM RECHTS	BRAZO DERECHO
8	445864	2	BRACCIO SX PARASPRUZZI MAGNA 2017B	LEFT ARM	BRAS GAUCHE	ARM LINKS	BRAZO IZQUIERDO
9	455173	2	BUSSOLA CENTRAGGIO BASAMENTO C120	BUSH	DOUILLE	HULSE	CASQUILLO
10	455193	1	CATENA PORTACAVI IGUS B151.025.048 L=458	CHAIN	CHAINE	KETTE	CADENA
11	430139	1	COLLARE ISOLATO FS6 D.15	ISOLATED COLLAR	COLLIER ISOLÉ	ISOLIERT HALSBAND	COLLAR AISLADO
12	455203	1	CORPO BASAMENTO ESTRAIBILE C120	BRUSH BASE	EMBASE DE BROUSSE	BÜRSTENGESTELL	BANCADA CEPILLO
13	455202	1	CORPO BASAMENTO FISSO C120	BRUSHES BASE	EMBASE DES BROSSES	BÜRSTENGESTELL	BANCADA CEPILLOS
14	409078	2	DADO M4x6 AUTOBL. UNI 7473 ZINC	LOCK NUT	ECROU AUTOFREINES	SICHERUNGSMUTTER	TUERCA AUTOBLOCANTE
15	448244	9	DADO M5x5 AUTOBL. UNI 7474 INOX	NUT	ECROU	MUTTER	TUERCA
16	409037	8	DADO M5x5 UNI 5587 A2	NUT	ECROU	MUTTER	TUERCA
17	409040	2	DADO M6x5 UNI 5588 ZINC	NUT	ECROU	MUTTER	TUERCA
18	409054	4	DADO M8x5 UNI 5589 ZINC	NUT	ECROU	MUTTER	TUERCA
19	409046	4	DADO M8x6,5 UNI 5588 ZINC	NUT	ECROU	MUTTER	TUERCA
20	409049	2	DADO M8x6,5 UNI5588 A2	NUT	ECROU	MUTTER	TUERCA
21	415913	1	DADO M10 CIECO UNI 5721	NUT UNI 5721	ECROU UNI 5721	MUTTER UNI 5721	TUERCA UNI 5721
22	438493	1	DISCO COPRI RUOTA D=150 GRIGIO	WHEEL COVER	COUVERCLE DE ROUE	RADDECKEL	CUBRERUEDA
23	222435	1	DISTANZIALE D=16 d=10 l=45 AVP ZINCATO	SPACER	ENTRETOISE	DISTANZHÜLSE	DISTANCIADOR
24	447111	1	ELETTRORVALV. COMP. 36V 1/2" 5 BAR	SOLENOID VALVE	ELECTROVANNE	MAGNETVENTIL	ELECTROVALVULA
25	449100	10	FASCETTA SCATTO HERBIE HCL-F Ø15,0-17,1	CLAMP	COLLIER	BRIDE	ABRAZADERA
26	447210	1	FLANGIA BASAMENTO FILETTATA M24x1,5 DX	FLANGE	FLASQUE	FLANSCH	BRIDA
27	447211	2	FLANGIA BASAMENTO FILETTATA M24x1,5 SX	FLANGE	FLASQUE	FLANSCH	BRIDA
28	455199	1	GANCIO ELESA mod.GG.AS500	HOOK	CROCHET	HAKEN	GANCHO
29	400425	3	GIUNTO ELASTICO D=115 S=11 GOMMA 14 TELE	FLEXIBLE COUPLING	ENTRAINEMENT ELASTIQUE	GUMMIKUPPLUNG	ACOPLAMIENTO ELASTICO
30	447237	1	GOMMA PARASPRUZZI DX/SX MAGNA 2017	SIDE RUBBER	BAVETTE LATERALE	SEITENGUMMI	GOMA LATERAL
31	447237	1	GOMMA PARASPRUZZI DX/SX MAGNA 2017	SIDE RUBBER	BAVETTE LATERALE	SEITENGUMMI	GOMA LATERAL
32	455191	4	GUIDA IGUS WJ200UM-01-10-LL	GUIDES	GUIDE	FUEHRUNG	GUIA
33	438572	2	INNESTO RAPIDO F 3/8" M CPC APCD10006BSPT	FEMALE COUPLING	EMBAYAGE FEMELLE	KUPPLUNG OHNE ZAPFEN	ACOPLAMIENTO HEMBRA
34	408124	3	MOLLA BLOCCAGGIO SPAZZOLA	SPRING	RESSORT	FEDER	RESORTE
35	210212	3	MOLLA COMPRESSIONE 10.5x1x50	SPRING	RESSORT	FEDER	RESORTE

CR-01A PREM. BASAMENTO LAVANTE C120

BRUSHES BASE ASSEMBLY
 EMBASE DES BROSSES COMPLET
 BÜRSTENGESTELL KOMPLETT
 GRUPO BANCADA CEPILLOS



CR-01A PREM. BASAMENTO LAVANTE C120

01A

POS	CODICE	QTÀ	DESCRIZIONE	DESCRIPTION	DESIGNATION	BEZEICHNUNG	DESCRIPCÓN
36	447214	4	MOLLA TRAZIONE 16,5x2,5x65 INOX A2	SPRING	RESSORT	FEDER	RESORTE
37	231528	1	MOTORID. 36V 750W 180RPM DX SCHEDA C120	GEARED MOTOR	MOTO-REDUCTEUR	GETRIEBEMOTOR	MOTORREDUCTOR
38	231527	2	MOTORID. 36V 750W 180RPM SX SCHEDA C120	GEARED MOTOR	MOTO-REDUCTEUR	GETRIEBEMOTOR	MOTORREDUCTOR
39	416234	1	NIPPLO MM 3/8" - 1/2" OT FILETTO CONICO	NIPPLE	RACCORD	NIPPEL	BOQUILLA ROSCADA
40	455179	1	PARASPRUZZI ANT. BASAMENTO C120	SPLASH GUARD	BAVETTE DE PROTECTION	SPRITZGUMMI	PARASALPICADURAS
41	455181	1	PARASPRUZZI ANT. BASAMENTO ESTR. C120	SPLASH GUARD	BAVETTE DE PROTECTION	SPRITZGUMMI	PARASALPICADURAS
42	449041	1	PARASPRUZZI DX C85 2018 RAL 9005	SUPPORT	SUPPORT	HALTERUNG	SOPORTE
43	455166	1	PARASPRUZZI POST. DX BASAMENTO C120	SPLASH GUARD	BAVETTE DE PROTECTION	SPRITZGUMMI	PARASALPICADURAS
44	455165	1	PARASPRUZZI POST. SX BASAMENTO C120	SPLASH GUARD	BAVETTE DE PROTECTION	SPRITZGUMMI	PARASALPICADURAS
45	449040	1	PARASPRUZZI SX C85 2018 RAL 9005	SUPPORT	SUPPORT	HALTERUNG	SOPORTE
46	455184	1	PERNO GANCIO BASAMENTO C120	PIN	AXE	BLOCKBOLZEN	PERNO
47	205990	3	PIATTO PORTASPAZZOLA D=253	BRUSH PLATE	PLATEAU DE BROSSE	BÜRSTENTRÄGER	PLATO PORTACEPILLO
48	454652	4	PIEDE REGOLABILE M8x32 GAMM 7321695	RUBBER CAP	BOUCHON	GUMMISTOPFEN	TAPON DE GOMA
49	445708	4	PISTONCINO DI POSIZIONE A MOLLA RAL 1018	STOP	ARRET	STOPBELEG	PLAQUETA DE SUJECION
50	416156	3	POMELLO A SFERA D.32 M8	KNOB	POMMEAU	RENDELSCHRAUBE	POMO
51	420741	1	PORTAG. DIRITTO 3/8"x13 2 GRADINI OTTONE	CONNECTOR	RACCORD	SCHLAUCHANSCHLUSS	EMPALME TUBO DE GOMA
52	428011	2	PORTAGOMMA DIRITTO 3/8"M D.10 (OTTONE)	CONNECTOR	RACCORD	SCHLAUCHANSCHLUSS	EMPALME TUBO DE GOMA
53	210541	2	PORTAGOMMA DIRITTO G 1-2" MASCHIO D=13	CONNECTOR	RACCORD	SCHLAUCHANSCHLUSS	EMPALME TUBO DE GOMA
54	227458	1	PREM. PREMIGOMMA LAT. DX BAS. MAGNA 2017	BLADE	PLAQUETTE	LEISTE	LISTON
55	227457	1	PREM. PREMIGOMMA LAT. SX BAS. MAGNA 2017	BLADE	PLAQUETTE	LEISTE	LISTON
56	455172	1	PREMIGOMMA ANT. BAS. ESTRAIBILE C120	BLADE	PLAQUETTE	LEISTE	LISTON
57	455177	1	PREMIGOMMA ANT. CENTRALE BASAMENTO C120	BLADE	PLAQUETTE	LEISTE	LISTON
58	455176	1	PREMIGOMMA ANT. DX BASAMENTO C120	BLADE	PLAQUETTE	LEISTE	LISTON
59	455169	1	PREMIGOMMA POST. DX BASAMENTO C120	BLADE	PLAQUETTE	LEISTE	LISTON
60	455168	1	PREMIGOMMA POST. SX BASAMENTO C120	BLADE	PLAQUETTE	LEISTE	LISTON
61	455190	2	PROFILO GUIDA IGUS DRYLIN WS-10 L=760	PROFILE	PROFIL	LEISTE	GUIA
62	447180	1	RACCORDO 1/2" CON 3 USCITE LAT. 3/8"	FITTING	RACCORD	VERSCHRAUBUNG	RACOR
63	426743	2	RACCORDO A -T- ORIENT. F/F/F 3/8	T-FITTING	RACCORD A T	T-VERSCHRAUBUNG	CODO DE TRES BOCAS
64	441791	3	RACCORDO RAPIDO CILINDRICO 6950 10	FITTING	RACCORD	VERSCHRAUBUNG	RACOR
65	441792	3	RACCORDO SUPER RAPIDO 7522 10 3/8	FITTING	RACCORD	VERSCHRAUBUNG	RACOR
66	400167	9	RONDELLA 8,2x32x4	WASHER	RONDELLE	UNTERLAGSCHEIBE	ARANDELA
67	415941	4	ROSETTA 4 UNI1751 ZINC GROWER	LOCK WASHER	RONDELLE FREIN	ZAHNSCHEIBE	ARANDELLA DENTADA
68	409142	8	ROSETTA 4x9x0,8 UNI 6592 ZINC	WASHER	RONDELLE	UNTERLAGSCHEIBE	ARANDELA
69	409149	8	ROSETTA 5x10x1 UNI 6592 A2	WASHER	RONDELLE	UNTERLEGSCHIEBE	ARANDELA
70	409152	11	ROSETTA 5x15x1.5 UNI 6593 A2	WASHER	RONDELLE	SCHEIBE	ARANDELA

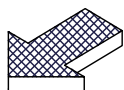
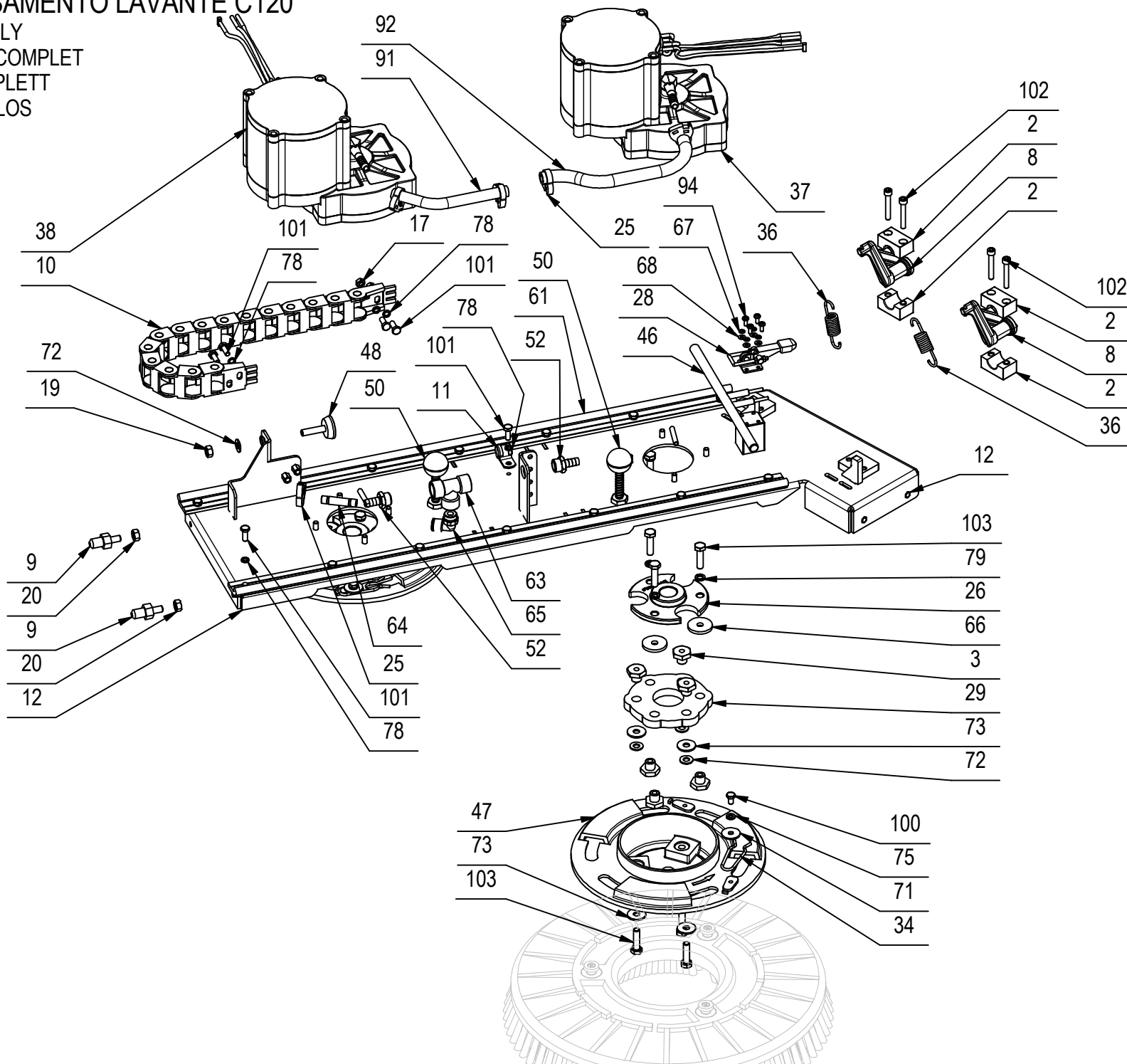
CR-01A PREM. BASAMENTO LAVANTE C120

BRUSHES BASE ASSEMBLY

EMBASE DES BROSSES COMPLET

BÜRSTENGESTELL KOMPLETT

GRUPO BANCADA CEPILLOS



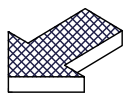
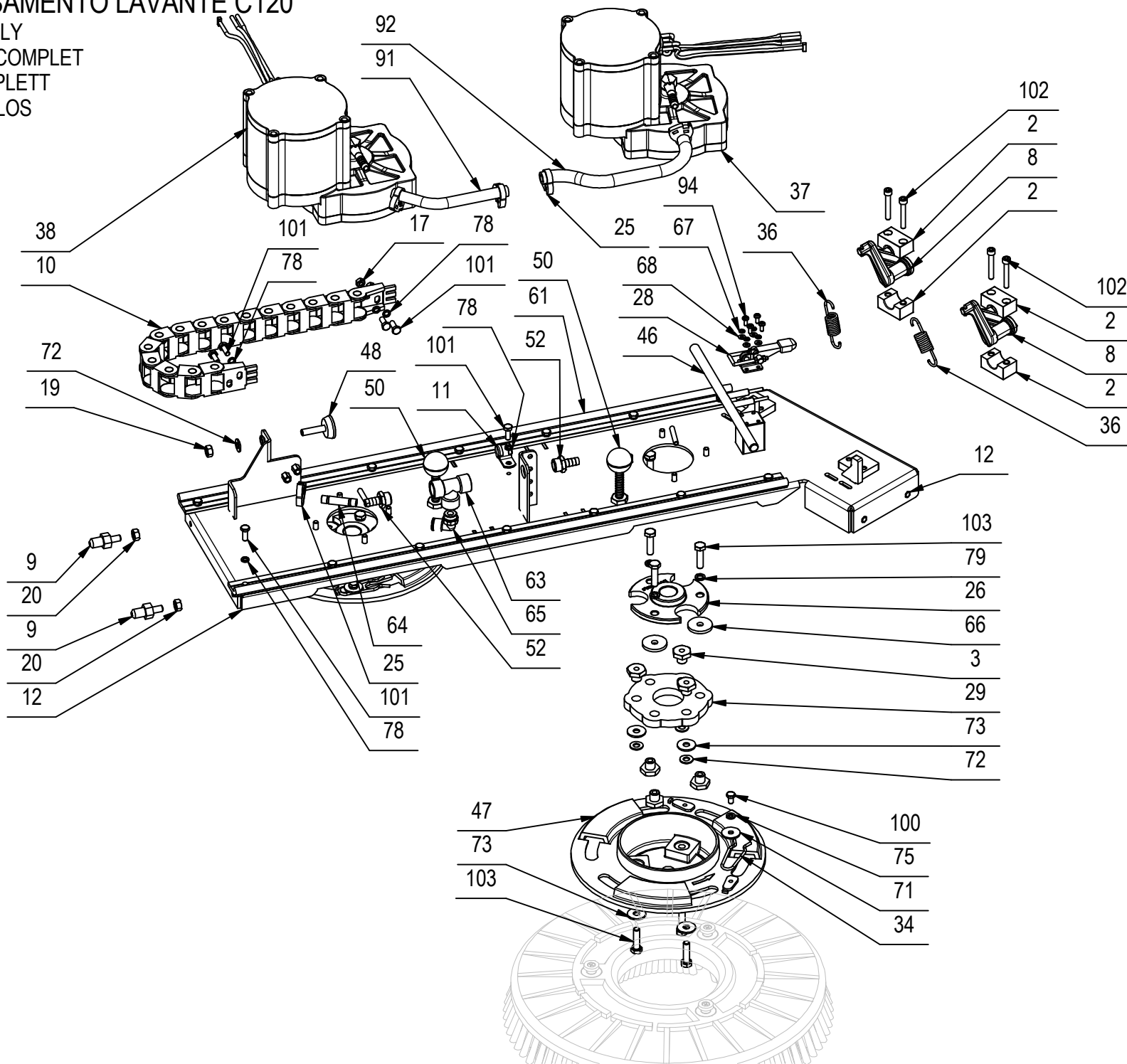
CR-01A PREM. BASAMENTO LAVANTE C120

01A

POS	CODICE	QTÀ	DESCRIZIONE	DESCRIPTION	DESIGNATION	BEZEICHNUNG	DESCRIPCION
71	409162	3	ROSETTA 6,5x24x2 UNI 6593 ZINC	WASHER	RONDELLE	UNTERLAGSCHEIBE	ARANDELA
72	409175	10	ROSETTA 8x17x1,6 UNI 6592 ZINC.	WASHER	RONDELLE	UNTERLAGSCHEIBE	ARANDELA
73	409179	18	ROSETTA 9x24x2,5 UNI 6593 ZINC	WASHER	RONDELLE	UNTERLAGSCHEIBE	ARANDELA
74	409194	3	ROSETTA 11x30x2,5 UNI 6593 ZINC	WASHER	RONDELLE	UNTERLEGSCHIEBE	ARANDELA
75	409164	3	ROSETTA GROWER 6x2,5x1,8 ASA B27 ZINC	LOCK WASHER	RONDELLE FREIN	ZAHNSCHIEBE	ARANDELLA DENTADA
76	409196	1	ROSETTA GROWER 10x18x2,2 ZINC	LOCK WASHER	RONDELLE FREIN	ZAHNSCHIEBE	ARANDELLA DENTADA
77	409155	10	ROSETTA M5 UNI 1751 INOX GROWER	WASHER	RONDELLE	UNTERLAGSCHEIBE	ARANDELA
78	415945	48	ROSETTA M6 UNI 1751 INOX GROWER	WASHER	RONDELLE	UNTERLAGSCHEIBE	ARANDELA
79	415946	13	ROSETTA M8 GROWER UNI 1751	LOCK WASHER	RONDELLE FREIN	ZAHNSCHIEBE	ARANDELLA DENTADA
80	436424	1	RUOTA 150X44 FORO 15 RES (150DB)	WHEEL	ROUE	RAD	RUEDA
81	455175	1	STAFFA DX ESTRAZIONE BASAMENTO C120	SUPPORT	SUPPORT	HALTERUNG	SOPORTE FIJADOR
82	455185	1	STAFFA ELETTRIVALVOLA C120	SUPPORT	SUPPORT	HALTERUNG	SOPORTE FIJADOR
83	455182	1	STAFFA FERMO BASAMENTO C120	SUPPORT	SUPPORT	HALTERUNG	SOPORTE FIJADOR
84	455174	1	STAFFA SX ESTRAZIONE BASAMENTO C120	SUPPORT	SUPPORT	HALTERUNG	SOPORTE FIJADOR
85	455171	1	SUPPORTO GOMMA POST. DX BASAMENTO C120	SUPPORT	SUPPORT	HALTERUNG	SOPORTE
86	455170	1	SUPPORTO GOMMA POST. SX BASAMENTO C120	SUPPORT	SUPPORT	HALTERUNG	SOPORTE
87	435208	1	TAPPO MASCHIO 1/2"G PLASTICA NERO	CAP	CAPUCHON	KAPPE	TAPON
88	231856	1	TUBO D=10 L=950 VITREO	PIPE	TUBE	ROHR	TUBO
89	223506	3	TUBO RILSAN d=4 D=6 L=35	PIPE	TUBE	ROHR	TUBO
90	218450	1	TUBO SPIRALATO D=10 L=900	PIPE	TUBE	ROHR	TUBO
91	231399	1	TUBO VITREO D=10 L=160	PIPE	TUBE	ROHR	TUBO
92	412294	1	TUBO VITREO D=10 L=280	PIPE	TUBE	ROHR	TUBO
93	217540	1	TUBO VITREO DIAM.12 L=40	PIPE	TUBE	ROHR	TUBO
94	416785	4	VITE M4x10 TCTC UNI 7687 ZINC	SCREW	VIS	SCHRAUBE	TORNILLO
95	415793	2	VITE M4X12 TPSTC UNI 7688 (4.8) ZINC	SCREW	VIS	SCHRAUBE	TORNILLO
96	415711	2	VITE M4X50 TE UNI 5739 (8.8) ZINC	SCREW	VIS	SCHRAUBE	TORNILLO
97	408957	8	VITE M5x16 TPSEI UNI 5933 INOX	SCREW	VIS	SCHRAUBE	TORNILLO
98	407651	2	VITE M5X25 TE UNI 5739 DIN 933 (8.8)ZINC	SCREW	VIS	SCHRAUBE	TORNILLO
99	407648	9	VITE M5x25 TE UNI5739 A2	SCREW	VIS	SCHRAUBE	TORNILLO
100	407658	3	VITE M6X10 TE UNI 5739 A2	SCREW	VIS	SCHRAUBE	TORNILLO
101	407664	48	VITE M6x16 TE UNI 5739 A2	SCREW	VIS	SCHRAUBE	TORNILLO
102	408802	8	VITE M6X40 TCEI UNI 5931 FP ZINC	SCREW	VIS	SCHRAUBE	TORNILLO
103	408676	19	VITE M8x30 TE UNI 5739 ZINC	SCREW	VIS	SCHRAUBE	TORNILLO
104	408692	4	VITE M8X50 TE UNI 5739 ZINC	SCREW	VIS	SCHRAUBE	TORNILLO
105	408686	3	VITE M8X70 TE UNI 5737 FP ZINC	SCREW	VIS	SCHRAUBE	TORNILLO

CR-01A PREM. BASAMENTO LAVANTE C120

BRUSHES BASE ASSEMBLY
 EMBASE DES BROSSES COMPLET
 BÜRSTENGESTELL KOMPLETT
 GRUPO BANCADA CEPILLOS

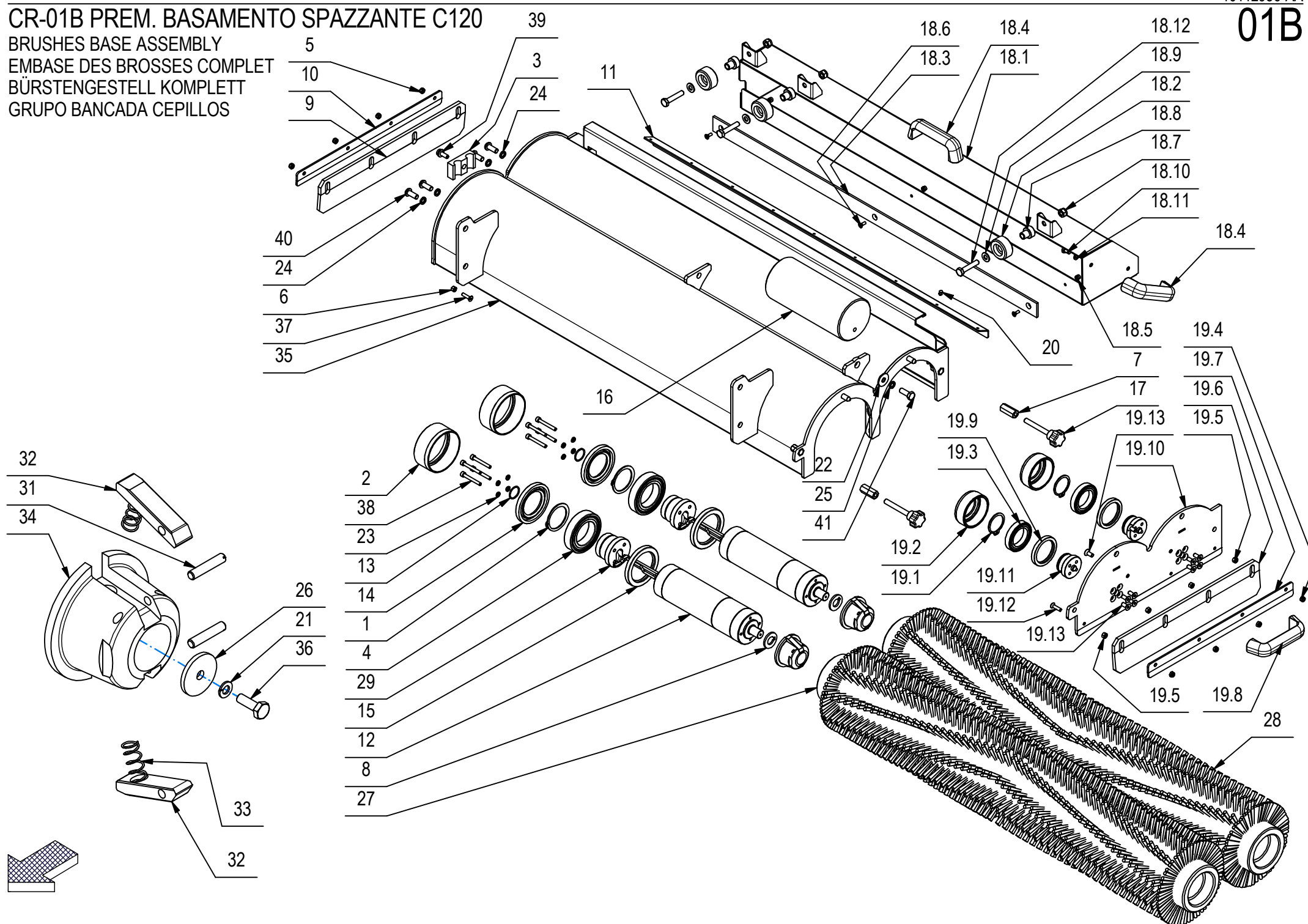


CR-01A PREM. BASAMENTO LAVANTE C120

POS	CODICE	QTÀ	DESCRIZIONE	DESCRIPTION	DESIGNATION	BEZEICHNUNG	DESCRPCIÓN
106	408711	1	VITE M10X25 TE UNI 5739 ZINC	SCREW	VIS	SCHRAUBE	TORNILLO
107	408718	1	VITE M10X70 TE UNI 5739 ZINC	SCREW	VIS	SCHRAUBE	TORNILLO

CR-01B PREM. BASAMENTO SPAZZANTE C120

BRUSHES BASE ASSEMBLY
 EMBASE DES BROSSES COMPLET
 BÜRSTENGESTELL KOMPLETT
 GRUPO BANCADA CEPILLOS



CR-01B PREM. BASAMENTO SPAZZANTE C120

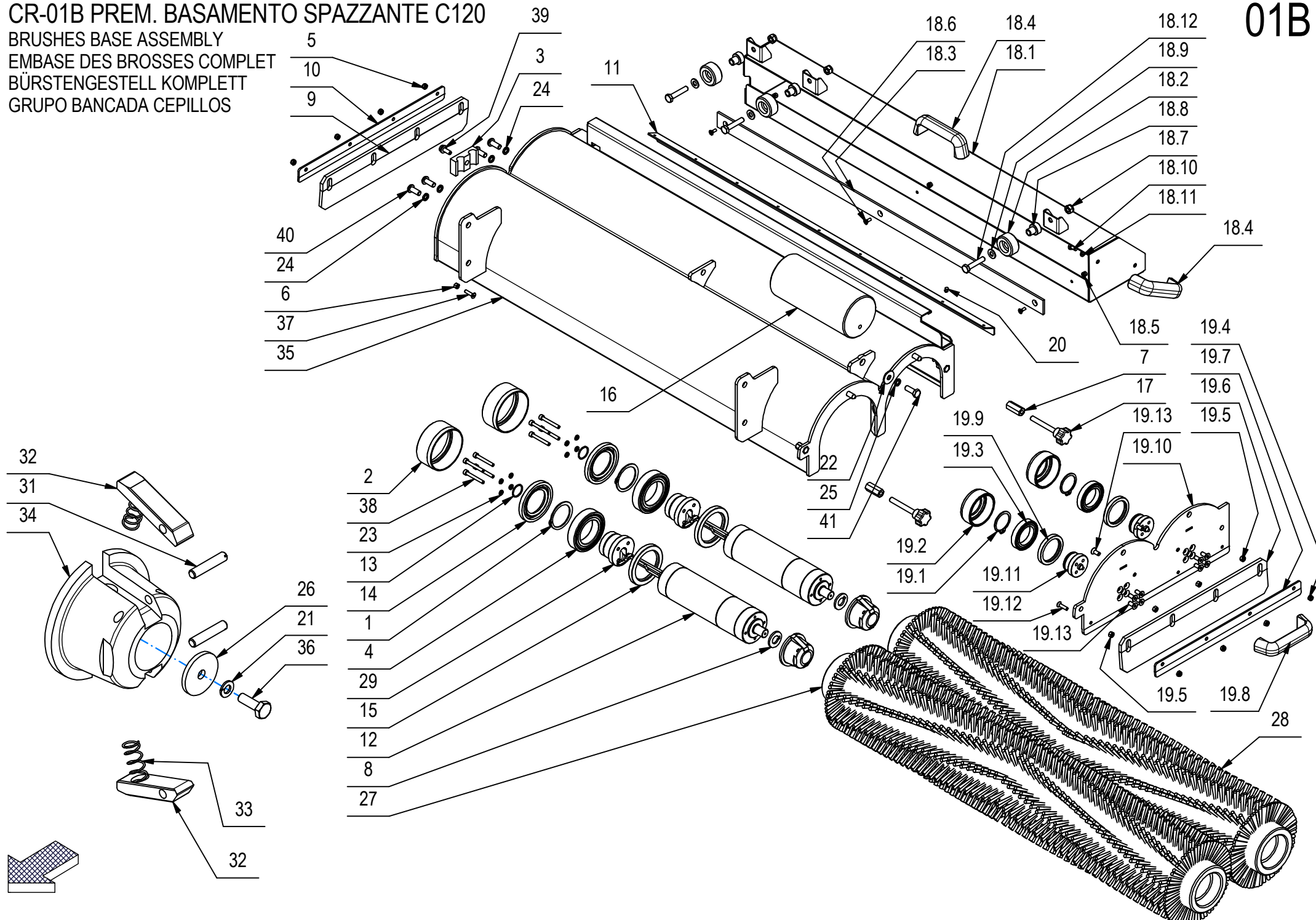
01B

POS	CODICE	QTÀ	DESCRIZIONE	DESCRIPTION	DESIGNATION	BEZEICHNUNG	DESCRIPCÓN
1	448073	2	ANELLO SEEGER E 45X1,75 DIN 471	SEEGER RING	ANNEAU SEEGER	SEEGER RING	ANILLO SEEGER
2	448069	2	CARTER CUSCINETTO MOTORE MAXIMA 2017 BS	COVER BEARING	CARTER ROULEMENT	ABDECKUNG LAGER	CARTER COJINETE
3	416297	1	COLLARE DOPPIO DIAM.15	COLLAR	COLLIER	BUNDRING	COLLAR
4	433305	2	CUSCINETTO 6009 - 2RS1 45x75x16	BEARING	ROULEMENT	LAGER	COJINETE
5	448244	4	DADO M5x5 AUTOBL. UNI 7474 INOX	NUT	ECROU	MUTTER	TUERCA
6	409037	4	DADO M5x5 UNI 5587 A2	NUT	ECROU	MUTTER	TUERCA
7	451912	2	DISTANZIALE CH13 M8 S=31 Fe360B	SPACER	ENTRETOISE	DISTANZHÜLSE	DISTANCIADOR
8	443831	2	DISTANZIALE D=29,5 d=15,1 S=3 LINGUETTA	SPACER	ENTRETOISE	DISTANZHÜLSE	DISTANCIADOR
9	455251	1	GOMMA PARASPRUZZI LAT. SPAZZANTE C120	SPLASH GUARD	BAVETTE DE PROTECTION	SPRITZGUMMI	PARASALPICADURAS
10	455253	1	LAMA PREMIGOMMA SPAZZANTE C120	LEFT BLADE	PLAQUETTE GAUCHE	LINKE LEISTE	LISTON IZQUIERDO
11	455235	1	LAMA RACCOLTA RIFIUTI SPAZZANTE C120	BLADE	PLAQUETTE	LEISTE	LISTON
12	231525	2	MOTORID. BRUSHL. 36V 350W 600RPM + MOLEX	GEARED MOTOR	MOTO-REDUCTEUR	GETRIEBEMOTOR	MOTORREDUCTOR
13	448071	2	O-RING 2081 20,35x1,78 NBR	O-RING	JOINT TORIQUE	O-RING	JUNTA TORICA
14	448075	2	PARAOLIO 45x75x8 DIN3760 "A" NBR	OIL SEAL	JOINT PAULSTRA	SIMMERING	ARO RASCADOR DE ACEITE
15	448074	2	PARAOLIO 55x75x8 DIN3760 "A" NBR	OIL SEAL	JOINT PAULSTRA	SIMMERING	ARO RASCADOR DE ACEITE
16	455245	1	PESO SPAZZANTE C120	BALLAST	LEST	BALLAST	LASTRE
17	435517	2	POMELLO VP 30 M8x60	KNOB	POMMEAU	RENDELSCHRAUBE	POMO
18	232434	1	PREM. CASSETTO SPAZZANTE C120	HOPPER ASSY	BAC A DECHETS	SCHMUTZBEHÄLTER	CAJON DE RECOLECCION
18.1	457313	1	CASSETTO SPAZZANTE C120	HOPPER	BAC A DECHETS	SCHMUTZBEHÄLTER	CAJON DE RECOLECCION
18.2	457316	3	RUOTA CASSETTO SPAZZANTE C120	WHEEL	ROUE	RAD	RUEDA
18.3	457314	1	PATTINO CASSETTO SPAZZANTE C120	BLADE	PLAQUETTE	LEISTE	LISTON
18.4	410271	2	MANIGLIA MT105 M6	HANDLE	MANCHE	HANDGRIFF	MANILLA
18.5	409079	3	DADO M4x6 AUTOBL. UNI 7473 A2	NUT	ECROU	MUTTER	TUERCA
18.6	408509	3	VITE M4x12 TSC UNI 6110 A2	SCREW	VIS	SCHRAUBE	TORNILLO
18.7	409085	3	DADO M8x8.5 AUTOBL. UNI 7474 ZINC	LOCK NUT	ECROU AUTOFREINES	SICHERUNGSMUTTER	TUERCA AUTOBLOCANTE
18.8	457317	3	BOCCOLA D=20-12 d=8.5 S=18.5 AVP ZINC	BUSHING	BAGUE	BUCHSE	CASQUILLO
18.9	409175	3	ROSETTA 8x17x1,6 UNI 6592 ZINC.	WASHER	RONDELLE	UNTERLAGSCHEIBE	ARANDELA
18.10	407658	4	VITE M6X10 TE UNI 5739 A2	SCREW	VIS	SCHRAUBE	TORNILLO
18.11	416783	4	ROSETTA M6 GROWER UNI 1751 INOX (A2)	LOCK WASHER	RONDELLE FREIN	ZAHNSCHEIBE	ARANDELLA DENTADA
18.12	408679	3	VITE M8x40 TE UNI 5739 ZINC	SCREW	VIS	SCHRAUBE	TORNILLO
19	231415	1	PREM. SPORTELLO SPAZZANTE C120	DOOR	PORTILLON	DECKEL	PORTEZUELA
19.1	448079	2	ANELLO SEEGER E 35X1,5 DIN 471	SEEGER RING	BAGUE SEEGER	SEEGER RING	ANILLO SEEGER
19.2	448081	2	CARTER CUSCINETTO FOLLE MAXIMA 2017 BTS	COVER BEARING	CARTER ROULEMENT	ABDECKUNG LAGER	CARTER COJINETE
19.3	449022	2	CUSCINETTO 6907 2RS 35x55x10	BEARING	ROULEMENT	LAGER	COJINETE
19.4	448244	4	DADO M5x5 AUTOBL. UNI 7474 INOX	NUT	ECROU	MUTTER	TUERCA

CR-01B PREM. BASAMENTO SPAZZANTE C120

BRUSHES BASE ASSEMBLY
 EMBASE DES BROSSES COMPLET
 BÜRSTENGESTELL KOMPLETT
 GRUPO BANCADA CEPILLOS

01B



CR-01B PREM. BASAMENTO SPAZZANTE C120

01B

POS	CODICE	QTÀ	DESCRIZIONE	DESCRIPTION	DESIGNATION	BEZEICHNUNG	DESCRIPCÓN
19.5	409037	4	DADO M5x5 UNI 5587 A2	NUT	ECROU	MUTTER	TUERCA
19.6	455251	1	GOMMA PARASPRUZZI LAT. SPAZZANTE C120	SPLASH GUARD	BAVETTE DE PROTECTION	SPRITZGUMMI	PARASALPICADURAS
19.7	455253	1	LAMA PREMIGOMMA SPAZZANTE C120	LEFT BLADE	PLAQUETTE GAUCHE	LINKE LEISTE	LISTON IZQUIERDO
19.8	410271	1	MANIGLIA MT105 M6	HANDLE	MANCHE	HANDGRIFF	MANILLA
19.9	448082	2	PARAOLIO 42x55x7 DIN3760 "A" NBR	OIL SEAL	JOINT PAULSTRA	SIMMERING	ARO RASCADOR DE ACEITE
19.10	231416	1	SPORTELLO SPAZZANTE C120	DOOR	PORTILLON	DECKEL	PORTEZUELA
19.11	445654	2	SUPP. CUSCINETTO FOLLE MAXIMA 2017 BS	BEARING SUPPORT	SUPPORT ROULEMENT	LAGERHALTERUNG	SOPORTE COJINETE
19.12	408958	4	VITE M5x20 TPSEI UNI 5933 A2	SCREW	VIS	SCHRAUBE	TORNILLO
19.13	415822	10	VITE M6x14 TSPCE UNI 5933 10.9 ZINC	SCREW	VIS	SCHRAUBE	TORNILLO
20	417965	9	RIVETTO 3.2X7 ALLUMINIO	RIVET	RIVET	NIET	CLAVO
21	441448	2	ROSETTA 4 UNI 1751 A2 GROWER	LOCK WASHER	RONDELLE FREIN	ZAHNSCHEIBE	ARANDELLA DENTADA
22	409179	1	ROSETTA 9x24x2,5 UNI 6593 ZINC	WASHER	RONDELLE	UNTERLAGSCHEIBE	ARANDELA
23	409154	8	ROSETTA GROWER 5x1,6 ZINC	WASHER	RONDELLE	UNTERLAGSCHEIBE	ARANDELA
24	409187	4	ROSETTA GROWER 8x13x2,2 A2	WASHER	RONDELLE	UNTERLAGSCHEIBE	ARANDELA
25	415946	1	ROSETTA M8 GROWER UNI 1751	LOCK WASHER	RONDELLE FREIN	ZAHNSCHEIBE	ARANDELLA DENTADA
26	455388	2	ROSETTA SPECIALE 2X20X4,3 INOX A2	WASHER	RONDELLE	UNTERLAGSCHEIBE	ARANDELA
27	455430	1	SPAZZOLA CIL. ANT. T.R. 160x898 PPL 0,3	CYLINDRICAL BRUSH	BROSSE CYLINDRIQUE	ZENTRALWALZE	CEPILLO CILINDRICO
28	455432	1	SPAZZOLA CIL. POST. T.R. 160x898 PPL 0,3	CYLINDRICAL BRUSH	BROSSE CYLINDRIQUE	ZENTRALWALZE	CEPILLO CILINDRICO
29	445655	2	SUPP. CUSCINETTO MOTORE MAXIMA 2017 BS	BEARING SUPPORT	SUPPORT ROULEMENT	LAGERHALTERUNG	SOPORTE COJINETE
30	231479	2	TRAINO RAPIDO Ø60 SPAZZOLA CILINDRICA	RAPID TOWING	REMORQUAGE RAPIDE	CHNELLES SCHLEPPEN	REMOLQUE RÁPIDO
31	455426	2	GRANO INTAGLIO P.F. M4x20 ISO 2342 A2	DOWEL	VIS CYLINDRIQUE	MADENSCHRAUBE	TORNILLO
32	455391	2	INSERTO PER TRAINO RAPIDO Ø60	COUPLING	ATTAQUE	KUPPLUNG	ACOPLAMIENTO
33	440256	2	MOLLA COMP. 6.3x0.6x20 INOX	SPRING	RESSORT	FEDER	RESORTE
34	455425	1	MOZZO TRAINO RAPIDO Ø60	COUPLING	ATTAQUE	KUPPLUNG	ACOPLAMIENTO
35	231411	1	TUNNEL SPAZZANTE C120	TUNNEL	CARTER BALAI	TUNNEL	TUNEL
36	408644	2	VITE M4x12 TE UNI 5739 A2	SCREW	VIS	SCHRAUBE	TORNILLO
37	408958	4	VITE M5x20 TPSEI UNI 5933 A2	SCREW	VIS	SCHRAUBE	TORNILLO
38	415758	8	VITE M5x40 TCEI UNI 5931 ZINC.	SCREW	VIS	SCHRAUBE	TORNILLO
39	451254	1	VITE M6x16 TCEI ZIGRINATURA SOTTOTESTA	SCREW	VIS	SCHRAUBE	TORNILLO
40	425828	4	VITE M8x20 TBEI ISO 7380 A2	SCREW	VIS	SCHRAUBE	TORNILLO
41	408672	1	VITE M8X22 TE UNI 5739 ZINC.	SCREW	VIS	SCHRAUBE	TORNILLO

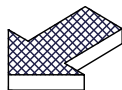
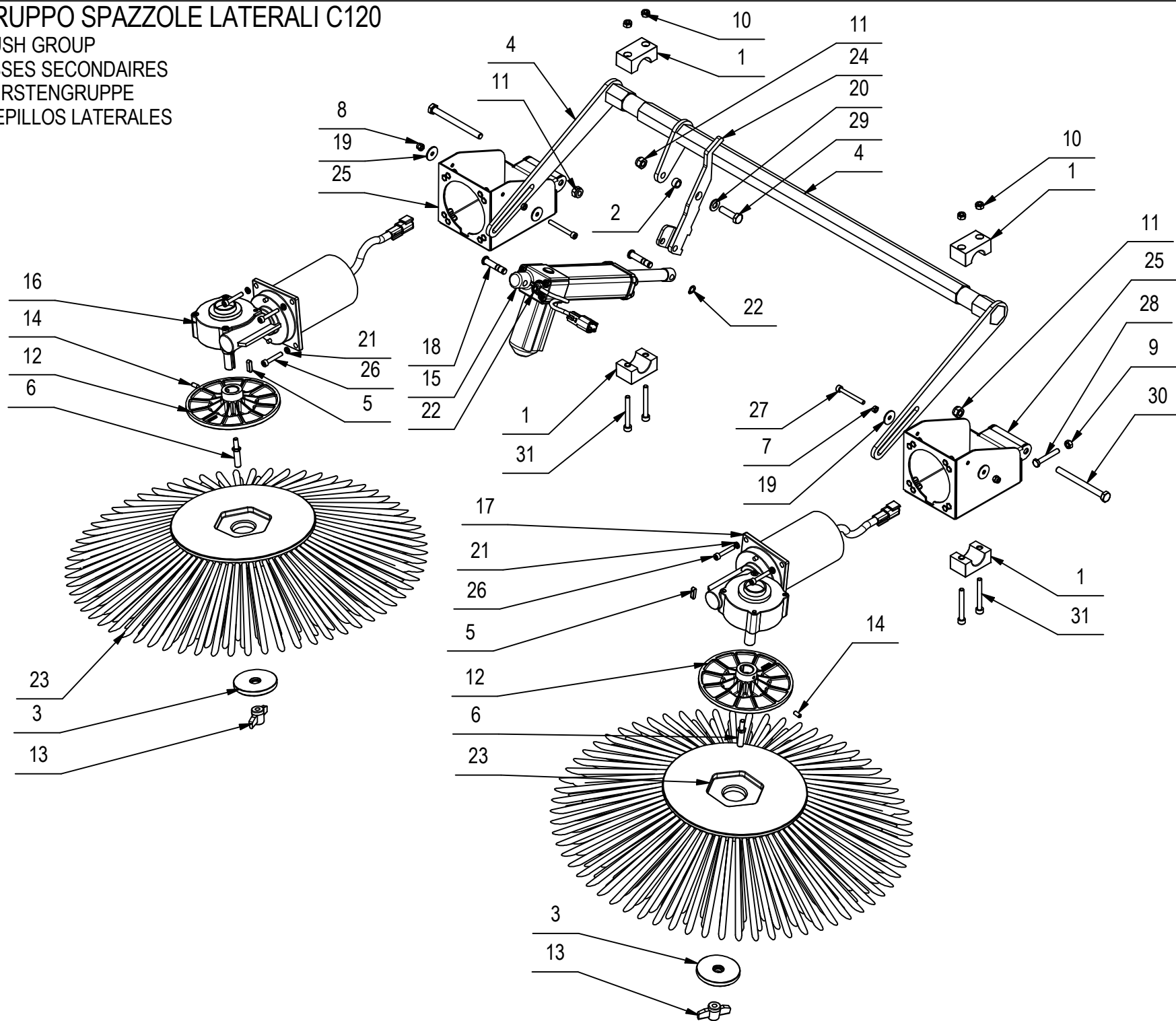
CR-01C GRUPPO SPAZZOLE LATERALI C120

LATERAL BRUSH GROUP

GROUP BROSSES SECONDAIRES

LATERALE BÜRSTENGRUPPE

GRUPO DE CEPILLOS LATERALES



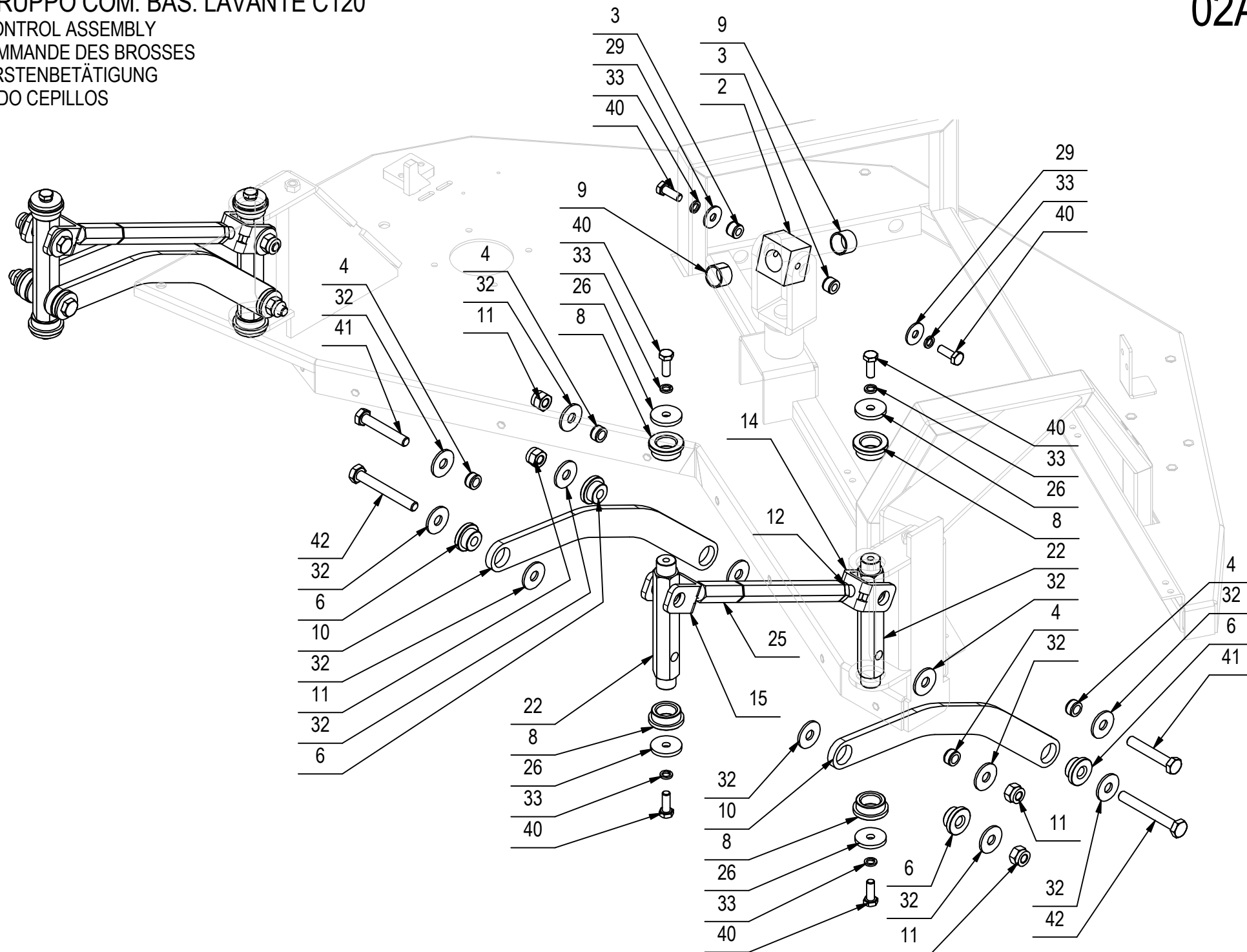
CR-01C GRUPPO SPAZZOLE LATERALI C120

01C

POS	CODICE	QTÀ	DESCRIZIONE	DESCRIPTION	DESIGNATION	BEZEICHNUNG	DESCRIPCION
1	448743	4	BLOCCHETTO PER ROTAZIONE ALBERO D.25	BLOCK	PETIT BLOC	ARRETIERUNG	BLOQUE
2	212660	1	BOCCOLA D=12 d=8,2 S=6,3 OTTONE	BUSHING	BAGUE	BUCHSE	CASQUILLO
3	437875	2	BOCCOLA FISSAGGIO SPAZZOLA LATERALE FSR	BUSHING	BAGUE	BUCHSE	CASQUILLO
4	454773	1	BRACCIO SOLL. SPAZZOLE LATERALI C120	ROD	TIGE	STANGE	VARILLA
5	408403	2	CHIAVETTA 5x5x18 UNI 6604	KEY	CLAVETTE	KEIL	CLAVIJA
6	434225	2	COLONNETTA M8-M6 SPAZZ.LATERALE CS700	STUD BOLT	TIGE	GEWINDEBOLZEN	PRISIONERO
7	409038	2	DADO M5x3,5 UNI 5589 ZINC	LOCK NUT	ECROU AUTOFREINES	SICHERUNGSMUTTER	TUERCA AUTOBLOCANTE
8	409080	2	DADO M5x7 AUTOBL. UNI 7473 ZINC	LOCK NUT	ECROU AUTOFREINES	SICHERUNGSMUTTER	TUERCA AUTOBLOCANTE
9	409040	2	DADO M6x5 UNI 5588 ZINC	NUT	ECROU	MUTTER	TUERCA
10	409082	4	DADO M6x6 AUTOBL UNI 7474 ZINC	LOCK NUT	ECROU AUTOFREINES	SICHERUNGSMUTTER	TUERCA AUTOBLOCANTE
11	409085	3	DADO M8x8.5 AUTOBL. UNI 7474 ZINC	LOCK NUT	ECROU AUTOFREINES	SICHERUNGSMUTTER	TUERCA AUTOBLOCANTE
12	437873	2	FLANGIA TRAINO SPAZZOLA LATERALE FSR	FLANGE	FLASQUE	FLANSCH	BRIDA
13	410237	2	GALLETTO DI FISSAGGIO GB/48/FP M8	WING NUT	PAPILLON	FLÜGELSCHRAUBE	POMO
14	408899	2	GRANO M5x10 EI UNI5927 DIN914 ISO4027	DOWEL	VIS CYLINDRIQUE	MADENSCHRAUBE	TORNILLO
15	455164	1	MARTIN. 36V 180° F=500N + CONN. DEUTSCH	ACTUATOR ASSEMBLY	VERIN COMPLET	SPINDELMOTOR KOMPLETT	GATO COMPLETO
16	231386	1	MOTORID. AOMPI-40 36V 90W 75G DX + DEUT	GEARED MOTOR	MOTO-REDUCTEUR	GETRIEBEMOTOR	MOTORREDUCTOR
17	231383	1	MOTORID. AOMPI-40 36V 90W 75G SX + DEUT	GEARED MOTOR	MOTO-REDUCTEUR	GETRIEBEMOTOR	MOTORREDUCTOR
18	443299	2	PERNO FISSAGGIO MARTINETTI	PIN	AXE	BOLZEN	PERNO
19	417989	4	RONDELLA 5.5x20x1.5 ZNT DIN 9021	WASHER	RONDELLE	UNTERLAGSCHEIBE	ARANDELA
20	409175	1	ROSETTA 8x17x1,6 UNI 6592 ZINC.	WASHER	RONDELLE	UNTERLAGSCHEIBE	ARANDELA
21	409154	8	ROSETTA GROWER 5x1,6 ZINC	WASHER	RONDELLE	UNTERLAGSCHEIBE	ARANDELA
22	408346	2	SEEGER E 8	SEEGER RING	SERRE CLIPS	SEEGERRING	ANILLO SEEGER
23	455167	2	SPAZZ. LAT. PPLØ1 D=500 H=65 FUSTO D=200	SIDE BRUSH	BROSSE LATERALE	SEITENBÜRSTE	CEPILLO LATERAL
24	454774	1	STAFFA SOLLEV. SPAZZOLE LATERALI C120	SUPPORT	ATTAQUE	HALTERUNG	SOPORTE FIJADOR
25	455952	2	SUPP. MOTORID. SPAZZ. LATER. RAL 9005 B	SUPPORT	SUPPORT	HALTERUNG	SOPORTE
26	408792	8	VITE M5x30 TCEI UNI 5931 ZINC	SCREW	VIS	SCHRAUBE	TORNILLO
27	444222	2	VITE M5x45 TCEI UNI 5931 ZINC.	SCREW	VIS	SCHRAUBE	TORNILLO
28	408660	2	VITE M6x40 TE UNI 5739 ZINC	SCREW	VIS	SCHRAUBE	TORNILLO
29	408676	1	VITE M8x30 TE UNI 5739 ZINC	SCREW	VIS	SCHRAUBE	TORNILLO
30	408688	2	VITE M8x90 TE FP UNI 5737 ZINC	SCREW	VIS	SCHRAUBE	TORNILLO
31	408800	4	VITE TCEI M6X50 UNI 5931	SCREW	VIS	SCHRAUBE	TORNILLO

CR-02A GRUPPO COM. BAS. LAVANTE C120

BRUSHES CONTROL ASSEMBLY
 GROUPE COMMANDE DES BROSSES
 GRUPPE BÜRSTENBETÄTIGUNG
 GRUPO MANDO CEPILLOS



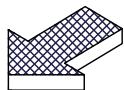
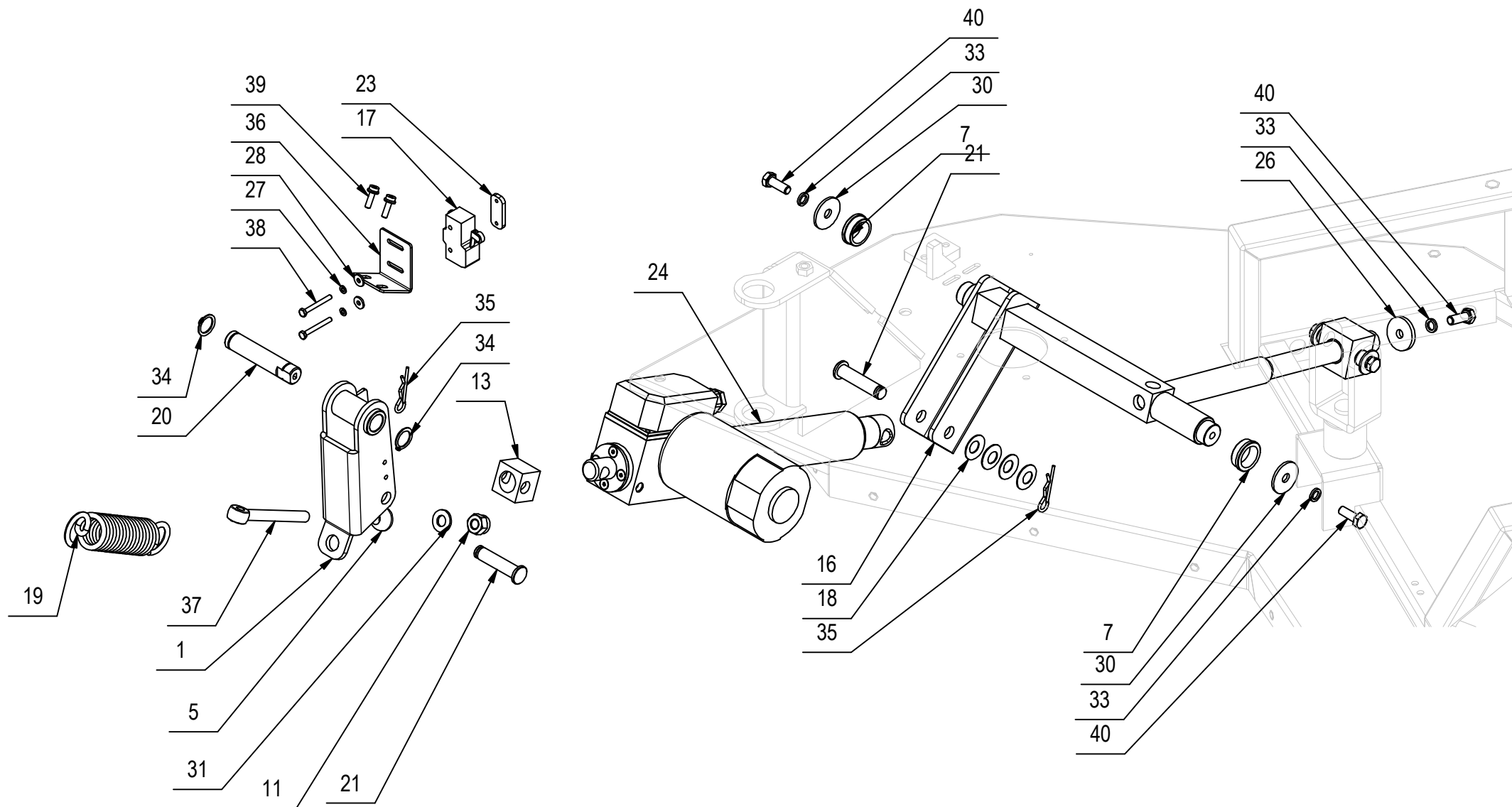
CR-02A GRUPPO COM. BAS. LAVANTE C120

02A

POS	CODICE	QTÀ	DESCRIZIONE	DESCRIPTION	DESIGNATION	BEZEICHNUNG	DESCRIPCION
1	455287	1	ATTACCO MARTINETTO C120	COUPLING	ATTAQUE	KUPPLUNG	ACOPLAMIENTO
2	205574	1	BLOCCHETTO COMANDO BASAMENTO C100	BLOCK	PETIT BLOC	ARRETIERUNG	BLOQUE
3	408020	2	BOCCOLA D=15 d=8 S=10,5 OT58	BUSHING	BAGUE	BUCHSE	CASQUILLO
4	408037	8	BOCCOLA D=15,9 d=10 S=8,5 OT58	BUSHING	BAGUE	BUCHSE	CASQUILLO
5	206360	1	BOCCOLA D=22 d=10,5 GUIDA REGOLAZIONE	GUIDE	GUIDE	FÜHRUNG	GUIA
6	449167	8	BOCCOLA D=30 D=22 d=10,2 S=13 OT58	BUSHING	BAGUE	BUCHSE	CASQUILLO
7	448475	2	BOCCOLA D=30-28 d=22 S=10 OT58	BUSHING	BAGUE	BUCHSE	PALANCA
8	456602	8	BOCCOLA D=36-30 d=20 S=13,5 OT58	BUSHING	BAGUE	BUCHSE	PALANCA
9	408055	2	BOCCOLA LAMELLARE D=23 d=20 S=15	BUSHING	BAGUE	BUCHSE	CASQUILLO
10	455241	4	BRACCIO INFERIORE GUIDA BASAMENTO C120	ARM	BRAS	ARM	BRAZO
11	409089	9	DADO M10x12 AUTOBL. UNI 7473 ZINC	LOCK NUT	ECROU AUTOFREINES	SICHERUNGSMUTTER	TUERCA AUTOBLOCANTE
12	409067	2	DADO M12x7 UNI 5589 ZINC	NUT	ECROU	MUTTER	TUERCA
13	410152	1	DISTANZIALE QUADRO MARTINETTI	SPACER	ENTRETOISE	DISTANZHÜLSE	DISTANCIADOR
14	220125	2	FORCELLA DX BRACCIO GUIDA BASAM. ULTRA	FORK	FOURCHETTE	GABELKOPF	HORQUILLA
15	220375	2	FORCELLA SX BRACCIO GUIDA BASAM. ULTRA	FORK	FOURCHETTE	GABELKOPF	HORQUILLA
16	455288	1	LEVA SOLLEVAMENTO BASAMENTO FISSO C120	LEVER	LEVIER	HEBEL	PALANCA
17	409493	1	MICROINTERRUTTORE 15A 4x25 C/ROTEL.	MICROSWITCH	MICROINTERRUPTEUR	MIKROSCHALTER	MICROINTERRUPTOR
18	409203	4	MOLLA A TAZZA 12x25x0,9 DIN2093 ZINC	CUPPED WASHER	RONDELLE CONCAVE	TELLERFEDER	ARANDELA CONCAVA
19	455227	1	MOLLA TRAZIONE 35x5x142	SPRING	RESSORT	FEDER	RESORTE
20	448455	1	PERNO D=17 L=85 OT58	PIN	AXE	BOLZEN	PERNO
21	448471	2	PERNO FISS. MARTINETTO BASAM. C85 2018	PIN	AXE	BOLZEN	PERNO
22	455242	4	PERNO FULCRO COMANDO BASAMENTO C120	PIN	AXE	BOLZEN	PERNO
23	216787	1	PIASTRINA FILETTATA FISSAGGIO MICRO	PLAQUE	PLAQUETTE	BEFESTIGUNGSAUFLAGE	PLAQUETA
24	231412	1	PREM.MART.36V C200 F2000 AO-2/CR C120	ACTUATOR ASSEMBLY	VERIN COMPLET	SPINDELMOTOR KOMPLETT	GATO COMPLETO
25	455239	2	REGISTRO INCLINAZIONE BASAMENTO C120	ADJUSTER	REGLAGE	VERSTELLSCHRAUBE	REGULADOR
26	400167	9	RONDELLA 8,2x32x4	WASHER	RONDELLE	UNTERLAGSCHEIBE	ARANDELA
27	415941	2	ROSETTA 4 UNI1751 ZINC GROWER	LOCK WASHER	RONDELLE FREIN	ZAHNSCHEIBE	ARANDELLA DENTADA
28	409144	2	ROSETTA 4x12x1,5 UNI 6593 ZINC	WASHER	RONDELLE	UNTERLAGSCHEIBE	ARANDELA
29	409179	2	ROSETTA 9x24x2,5 UNI 6593 ZINC	WASHER	RONDELLE	UNTERLAGSCHEIBE	ARANDELA
30	409180	2	ROSETTA 9x32x2,5 UNI 6593 ZINC	WASHER	RONDELLE	UNTERLAGSCHEIBE	ARANDELA
31	409191	1	ROSETTA 10X21X2 UNI 6592 ZINC	WASHER	RONDELLE	UNTERLAGSCHEIBE	ARANDELA
32	409194	24	ROSETTA 11x30x2,5 UNI 6593 ZINC	WASHER	RONDELLE	UNTERLEGSCHIEBE	ARANDELA
33	409181	13	ROSETTA GROWER 8x13x2,2 ZINC	LOCK WASHER	RONDELLE FREIN	ZAHNSCHEIBE	ARANDELLA DENTADA
34	408352	2	SEEGER E 17 UNI 7435	SEEGER RING	SERRE CLIPS	SEEGERRING	ANILLO SEEGER
35	409393	2	SPILLO 2.4x47	CLIP	EPINGLE	SPLINT	ESPIGA

CR-02A GRUPPO COM. BAS. LAVANTE C120

BRUSHES CONTROL ASSEMBLY
 GROUPE COMMANDE DES BROSSES
 GRUPPE BÜRSTENBETÄTIGUNG
 GRUPO MANDO CEPILLOS



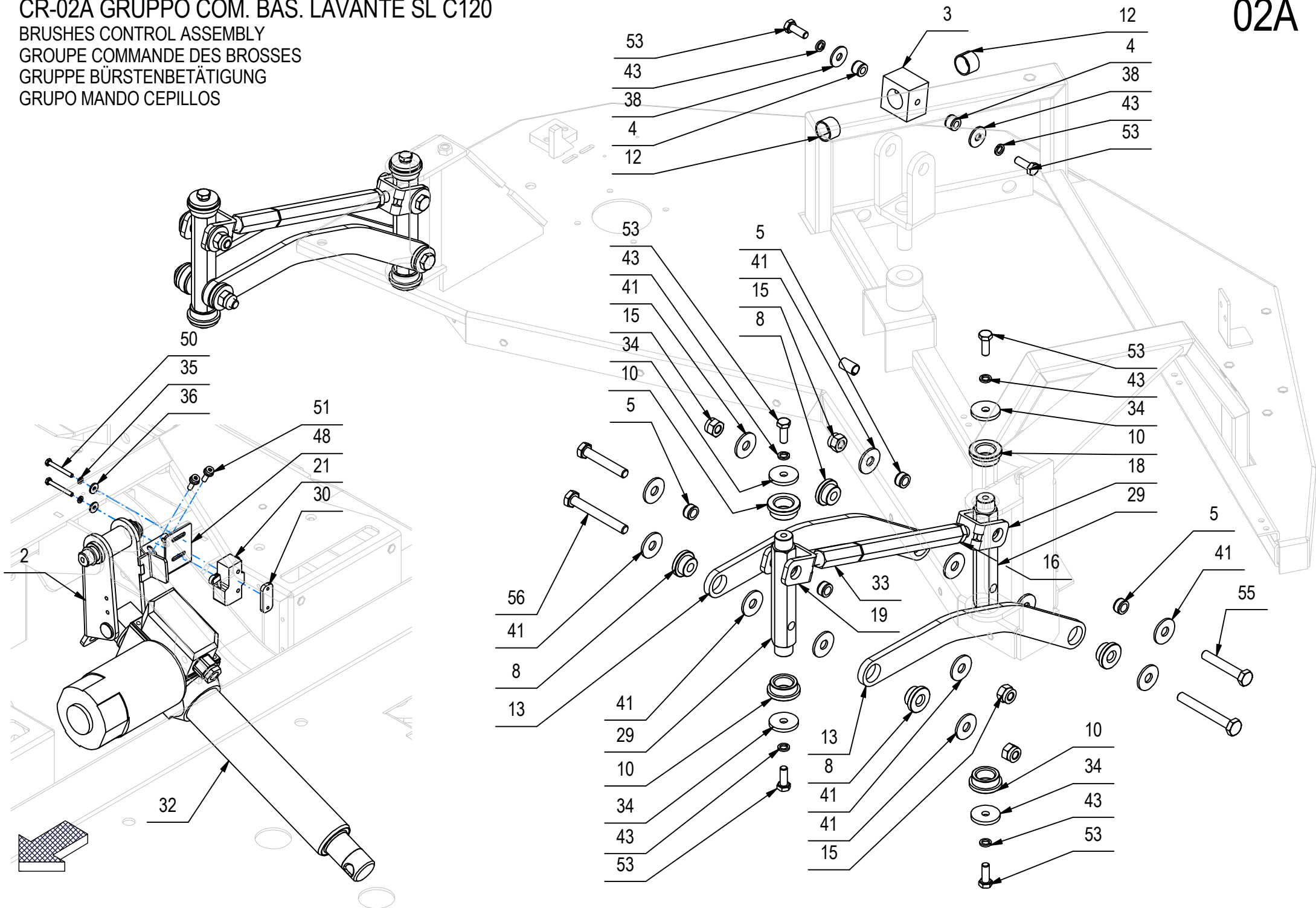
CR-02A GRUPPO COM. BAS. LAVANTE C120

02A

POS	CODICE	QTÀ	DESCRIZIONE	DESCRIPTION	DESIGNATION	BEZEICHNUNG	DESCRPCIÓN
36	455232	1	STAFFA MICRO BASAMENTO LAVANTE C120	SUPPORT	ATTAQUE	HALTERUNG	SOPORTE FIJADOR
37	446305	1	TIRANTE AD OCCHIO M10x100 UNI6058	TIE ROD	TIGE	SPANNSTANGE	TIRANTE
38	415713	2	VITE M4x35 TE UNI 5739 ZINC.	SCREW	VIS	SCHRAUBE	TORNILLO
39	450350	2	VITE M5x16 TCEI ZIGRINATURA SOTTOTESTA	SCREW	VIS	SCHRAUBE	TORNILLO
40	408672	13	VITE M8X22 TE UNI 5739 ZINC.	SCREW	VIS	SCHRAUBE	TORNILLO
41	408716	4	VITE M10X60 TE UNI 5739 ZINC	SCREW	VIS	SCHRAUBE	TORNILLO
42	416695	4	VITE M10x80 TE UNI 5737 FP ZINC	SCREW	VIS	SCHRAUBE	TORNILLO

CR-02A GRUPPO COM. BAS. LAVANTE SL C120

BRUSHES CONTROL ASSEMBLY
GROUPE COMMANDE DES BROSSES
GRUPPE BÜRSTENBETÄTIGUNG
GRUPO MANDO CEPILLOS



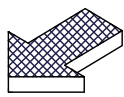
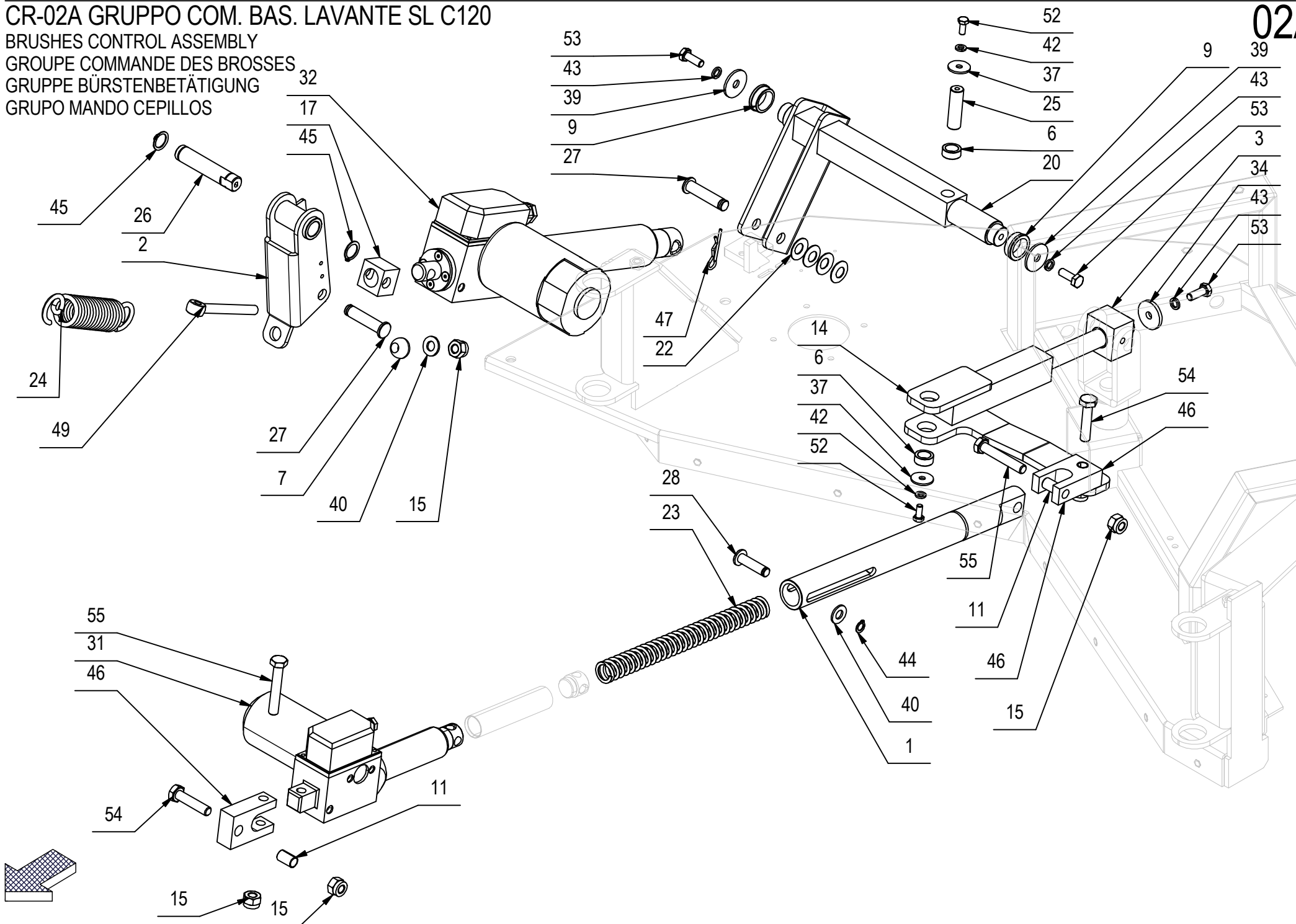
CR-02A GRUPPO COM. BAS. LAVANTE SL C120

02A

POS	CODICE	QTÀ	DESCRIZIONE	DESCRIPTION	DESIGNATION	BEZEICHNUNG	DESCRIPCION
1	455246	1	ASTA COMANDO BASAMENTO C120	ROD	TIGE	STANGE	VARILLA
2	455287	1	ATTACCO MARTINETTO C120	COUPLING	ATTAQUE	KUPPLUNG	ACOPLAMIENTO
3	205574	1	BLOCCHETTO COMANDO BASAMENTO C100	BLOCK	PETIT BLOC	ARRETIERUNG	BLOQUE
4	408020	2	BOCCOLA D=15 d=8 S=10,5 OT58	BUSHING	BAGUE	BUCHSE	CASQUILLO
5	408037	8	BOCCOLA D=15,9 d=10 S=8,5 OT58	BUSHING	BAGUE	BUCHSE	CASQUILLO
6	448477	2	BOCCOLA D=20 d=14 S=8,2 OT58	BUSHING	BAGUE	BUCHSE	PALANCA
7	206360	1	BOCCOLA D=22 d=10,5 GUIDA REGOLAZIONE	GUIDE	GUIDE	FÜHRUNG	GUIA
8	449167	8	BOCCOLA D=30 D=22 d=10,2 S=13 OT58	BUSHING	BAGUE	BUCHSE	CASQUILLO
9	448475	2	BOCCOLA D=30-28 d=22 S=10 OT58	BUSHING	BAGUE	BUCHSE	PALANCA
10	456602	8	BOCCOLA D=36-30 d=20 S=13,5 OT58	BUSHING	BAGUE	BUCHSE	PALANCA
11	408065	3	BOCCOLA LAMELLARE 10x12x20	BUSHING	BAGUE	BUCHSE	CASQUILLO
12	408055	2	BOCCOLA LAMELLARE D=23 d=20 S=15	BUSHING	BAGUE	BUCHSE	CASQUILLO
13	455241	4	BRACCIO INFERIORE GUIDA BASAMENTO C120	ARM	BRAS	ARM	BRAZO
14	455264	1	BRACCIO SOLLEVAMENTO BASAMENTO C120	ARM	BRAS	ARM	BRAZO
15	409089	13	DADO M10x12 AUTOBL. UNI 7473 ZINC	LOCK NUT	ECROU AUTOFREINES	SICHERUNGSMUTTER	TUERCA AUTOBLOCANTE
16	409067	2	DADO M12x7 UNI 5589 ZINC	NUT	ECROU	MUTTER	TUERCA
17	410152	1	DISTANZIALE QUADRO MARTINETTI	SPACER	ENTRETOISE	DISTANZHÜLSE	DISTANCIADOR
18	220125	2	FORCELLA DX BRACCIO GUIDA BASAM. ULTRA	FORK	FOURCHETTE	GABELKOPF	HORQUILLA
19	220375	2	FORCELLA SX BRACCIO GUIDA BASAM. ULTRA	FORK	FOURCHETTE	GABELKOPF	HORQUILLA
20	455250	1	LEVA SOLLEVAMENTO BASAMENTO SL C120	LEVER	LEVIER	HEBEL	PALANCA
21	409493	1	MICROINTERRUPTORE 15A 4x25 C/ROTEL.	MICROSWITCH	MICROINTERRUPTEUR	MIKROSCHALTER	MICROINTERRUPTOR
22	409203	4	MOLLA A TAZZA 12x25x0,9 DIN2093 ZINC	CUPPED WASHER	RONDELLE CONCAVE	TELLERFEDER	ARANDELA CONCAVA
23	455238	1	MOLLA COMPRESSIONE D=24 d=3,5 L=240	SPRING	RESSORT	FEDER	RESORTE
24	455227	1	MOLLA TRAZIONE 35x5x142	SPRING	RESSORT	FEDER	RESORTE
25	448476	1	PERNO BRACCIO SOLLEVAMENTO C85 2018	PIN	AXE	BOLZEN	PERNO
26	448455	1	PERNO D=17 L=85 OT58	PIN	AXE	BOLZEN	PERNO
27	448471	2	PERNO FISS. MARTINETTO BASAM. C85 2018	PIN	AXE	BOLZEN	PERNO
28	455233	1	PERNO FISSAGGIO MARTINETTO SL C120	PIN	AXE	BOLZEN	PERNO
29	455242	4	PERNO FULCRO COMANDO BASAMENTO C120	PIN	AXE	BOLZEN	PERNO
30	216787	1	PIASTRINA FILETTATA FISSAGGIO MICRO	PLAQUE	PLAQUETTE	BEFESTIGUNGSAUFLAGE	PLAQUETA
31	231413	1	PREM. MART. AO-1C V36 C100 F=600N S3	ACTUATOR ASSEMBLY	VERIN COMPLET	SPINDELMOTOR KOMPLETT	GATO COMPLETO
32	231412	1	PREM.MART.36V C200 F2000 AO-2/CR C120	ACTUATOR ASSEMBLY	VERIN COMPLET	SPINDELMOTOR KOMPLETT	GATO COMPLETO
33	455239	2	REGISTRO INCLINAZIONE BASAMENTO C120	ADJUSTER	REGLAGE	VERSTELLSCHRAUBE	REGULADOR
34	400167	9	RONDELLA 8,2x32x4	WASHER	RONDELLE	UNTERLAGSCHEIBE	ARANDELA
35	415941	2	ROSETTA 4 UNI1751 ZINC GROWER	LOCK WASHER	RONDELLE FREIN	ZAHNSCHEIBE	ARANDELLA DENTADA

CR-02A GRUPPO COM. BAS. LAVANTE SL C120

BRUSHES CONTROL ASSEMBLY
 GROUPE COMMANDE DES BROSSES
 GRUPPE BÜRSTENBETÄTIGUNG
 GRUPO MANDO CEPILLOS



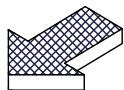
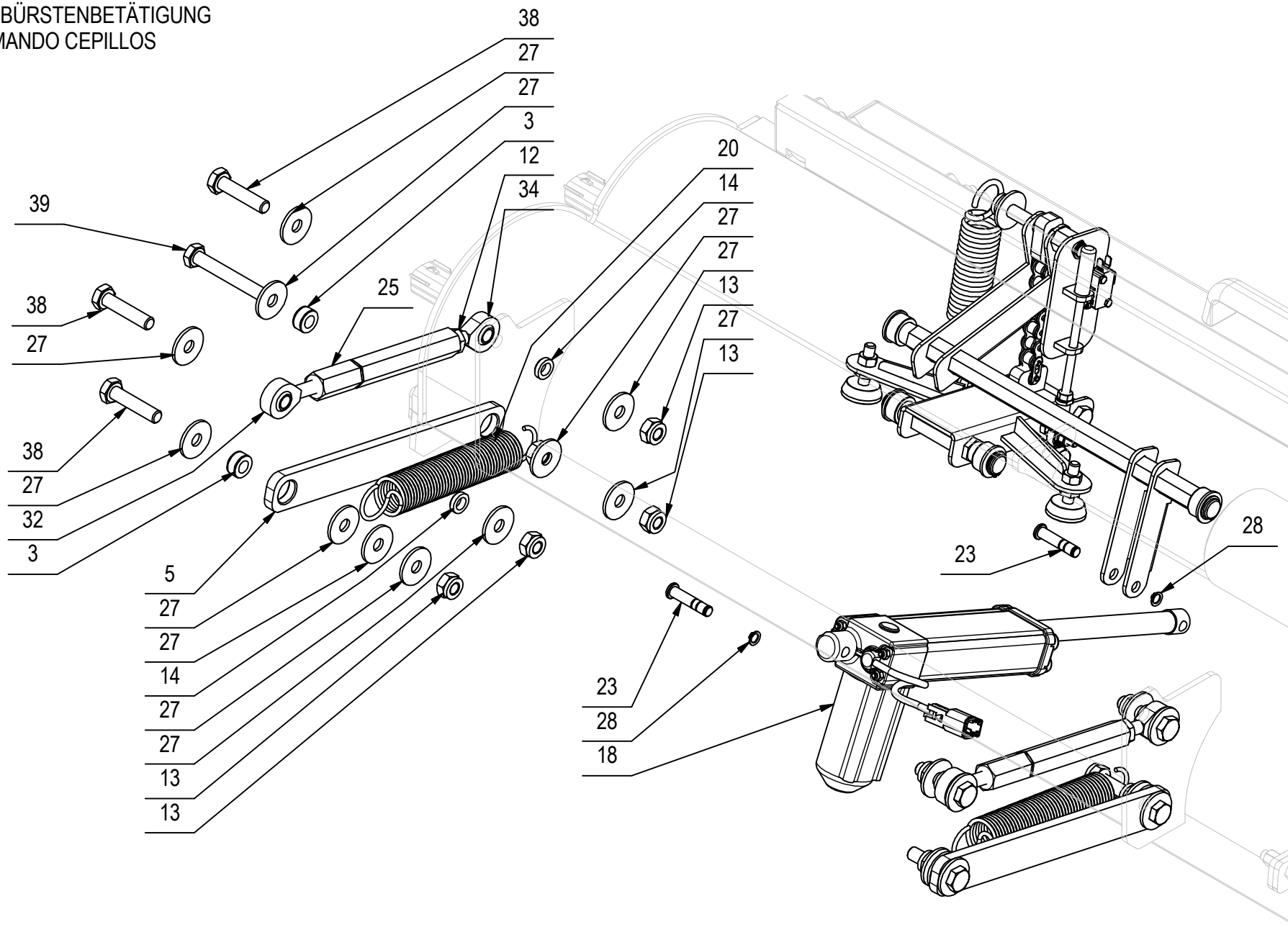
CR-02A GRUPPO COM. BAS. LAVANTE SL C120

02A

POS	CODICE	QTÀ	DESCRIZIONE	DESCRIPTION	DESIGNATION	BEZEICHNUNG	DESCRIPCION
36	409144	2	ROSETTA 4x12x1,5 UNI 6593 ZINC	WASHER	RONDELLE	UNTERLAGSCHEIBE	ARANDELA
37	409162	2	ROSETTA 6,5x24x2 UNI 6593 ZINC	WASHER	RONDELLE	UNTERLAGSCHEIBE	ARANDELA
38	409179	2	ROSETTA 9x24x2,5 UNI 6593 ZINC	WASHER	RONDELLE	UNTERLAGSCHEIBE	ARANDELA
39	409180	2	ROSETTA 9x32x2.5 UNI 6593 ZINC	WASHER	RONDELLE	UNTERLAGSCHEIBE	ARANDELA
40	409191	2	ROSETTA 10X21X2 UNI 6592 ZINC	WASHER	RONDELLE	UNTERLAGSCHEIBE	ARANDELA
41	409194	24	ROSETTA 11x30x2,5 UNI 6593 ZINC	WASHER	RONDELLE	UNTERLEGSCHIEBE	ARANDELA
42	409164	2	ROSETTA GROWER 6x2,5x1,8 ASA B27 ZINC	LOCK WASHER	RONDELLE FREIN	ZAHNSCHIEBE	ARANDELLA DENTADA
43	409181	13	ROSETTA GROWER 8x13x2,2 ZINC	LOCK WASHER	RONDELLE FREIN	ZAHNSCHIEBE	ARANDELLA DENTADA
44	408347	1	SEEGER E 10 UNI 7435	SEEGER RING	SERRE CLIPS	SEEGERRING	ANILLO SEEGER
45	408352	2	SEEGER E 17 UNI 7435	SEEGER RING	SERRE CLIPS	SEEGERRING	ANILLO SEEGER
46	206047	2	SNODO	JOINT	JOINT	GELENK	ARTICULACION
47	409393	2	SPIILLO 2.4x47	CLIP	EPINGLE	SPLINT	ESPIGA
48	455232	1	STAFFA MICRO BASAMENTO LAVANTE C120	SUPPORT	ATTAQUE	HALTERUNG	SOPORTE FIJADOR
49	446305	1	TIRANTE AD OCCHIO M10x100 UNI6058	TIE ROD	TIGE	SPANNSTANGE	TIRANTE
50	415713	2	VITE M4x35 TE UNI 5739 ZINC.	SCREW	VIS	SCHRAUBE	TORNILLO
51	450350	2	VITE M5x16 TCEI ZIGRINATURA SOTTOTESTA	SCREW	VIS	SCHRAUBE	TORNILLO
52	407661	2	VITE M6x14 TE UNI 5739 ZINC	SCREW	VIS	SCHRAUBE	TORNILLO
53	408672	13	VITE M8X22 TE UNI 5739 ZINC.	SCREW	VIS	SCHRAUBE	TORNILLO
54	408721	2	VITE M10X45 TE UNI 5737 FP ZINC	SCREW	VIS	SCHRAUBE	TORNILLO
55	408716	6	VITE M10X60 TE UNI 5739 ZINC	SCREW	VIS	SCHRAUBE	TORNILLO
56	416695	4	VITE M10x80 TE UNI 5737 FP ZINC	SCREW	VIS	SCHRAUBE	TORNILLO

CR-02B GRUPPO COM. BAS. SPAZZANTE C120

BRUSHES CONTROL ASSEMBLY
 GROUPE COMMANDE DES BROSSES
 GRUPPE BÜRSTENBETÄTIGUNG
 GRUPO MANDO CEPILLOS



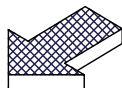
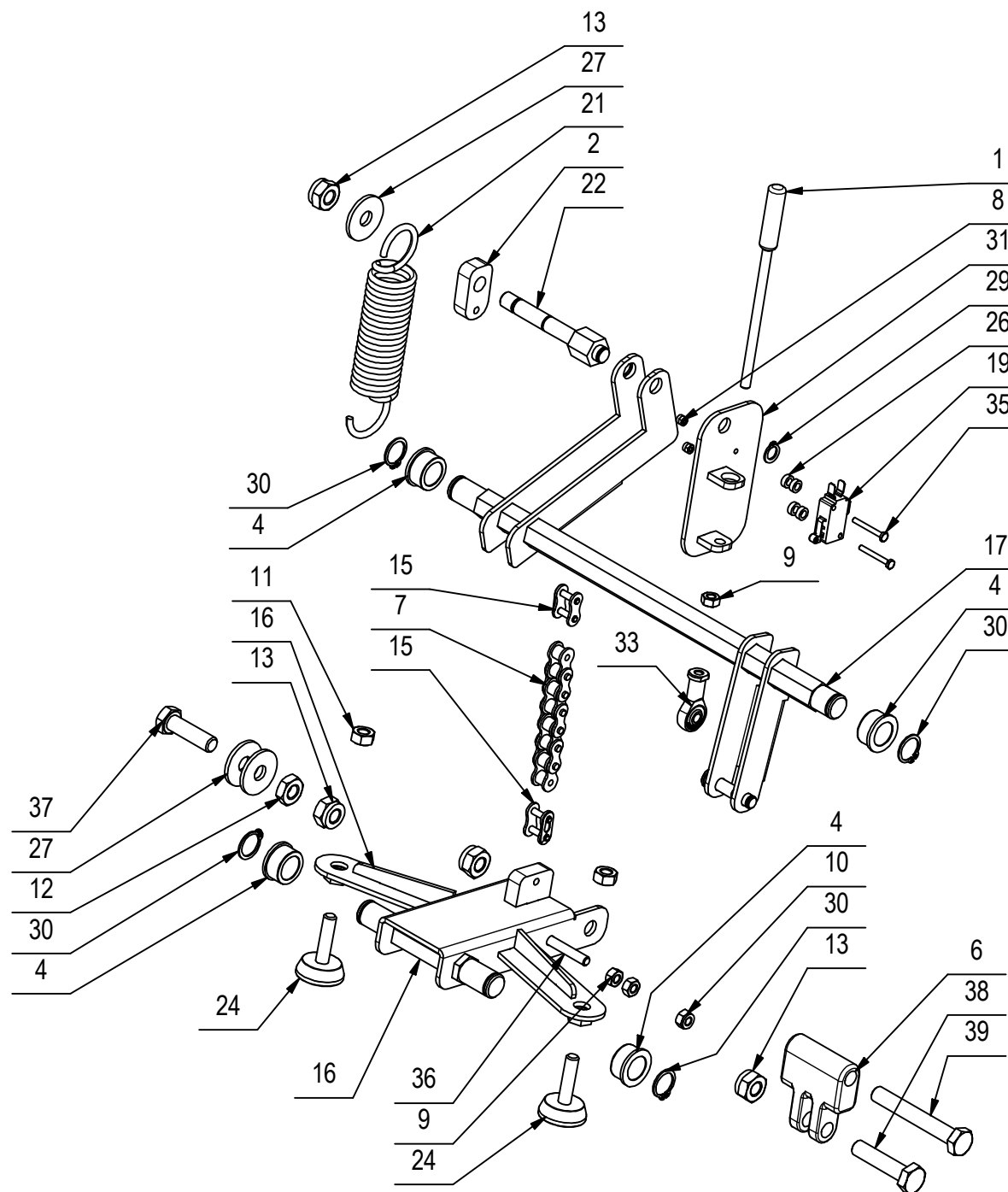
CR-02B GRUPPO COM. BAS. SPAZZANTE C120

02B

POS	CODICE	QTÀ	DESCRIZIONE	DESCRIPTION	DESIGNATION	BEZEICHNUNG	DESCRIPCION
1	457275	1	ASTA AZIONAM. MICRO BASAM. SPAZZ. C120	ROD	TIGE	STANGE	VARILLA
2	443767	1	ATTACCO CATENA SOLLEVAMENTO MMG BS	COUPLING	ATTAQUE	KUPPLUNG	ACOPLAMIENTO
3	411769	4	BOCCOLA D=18 d=10 S=8,5 OT58	BUSHING	BAGUE	BUCHSE	CASQUILLO
4	408019	4	BOCCOLA D=25-22,2 d=16 S=12 OT58	BUSHING	BAGUE	BUCHSE	CASQUILLO
5	455294	2	BRACCIO BASAMENTO SPAZZANTE C120	BLADE	PLAQUE	PLATTE	LISTON
6	443255	1	BRACCIO TERMINALE BASAMENTO MMG 2016 BS	ARM	BRAS	ARM	BRAZO
7	443790	1	CATENA 1/2" x 5/16" 7 PASSI	CHAIN	CHAINE	KETTE	CADENA
8	415897	2	DADO AUTOBL M3 UNI7474 A2	LOCK NUT	ECROU AUTOBLOCANT	STOPMUTTER	TUERCA AUTOBLOCANTE
9	409040	3	DADO M6x5 UNI 5588 ZINC	NUT	ECROU	MUTTER	TUERCA
10	409082	1	DADO M6x6 AUTOBL UNI 7474 ZINC	LOCK NUT	ECROU AUTOFREINES	SICHERUNGSMUTTER	TUERCA AUTOBLOCANTE
11	409046	2	DADO M8x6,5 UNI 5588 ZINC	NUT	ECROU	MUTTER	TUERCA
12	409059	3	DADO M10x6 UNI 5589 ZINC	NUT	ECROU	MUTTER	TUERCA
13	409090	14	DADO M10x10 AUTOBL. UNI 7474 ZINC	LOCK NUT	ECROU AUTOFREINES	SICHERUNGSMUTTER	TUERCA AUTOBLOCANTE
14	206567	4	DISTANZIALE D=16 d=10 S=5 Fe360	SPACER	ENTRETOISE	DISTANZHÜLSE	DISTANCIADOR
15	408380	2	GIUNTO CATENA DA 1/2	JOINT CHAIN	ATTACHE RAPIDE CHAINE	KETTENSCHLOSS	ACOPLAMIENTO CADENA
16	455305	1	LEVA INFERIORE COMANDO SPAZZANTE C120	LEVER	LEVER	HEBEL	PALANCA
17	455297	1	LEVA SOLL. BASAM. SPAZZANTE C120	SUPPORT	SUPPORT	HALTERUNG	SOPORTE
18	457281	1	MART. 36V C130 F800 AO-01/MR+CONN. DEUT.	ACTUATOR ASSEMBLY	VERIN COMPLET	SPINDELMOTOR KOMPLETT	GATO COMPLETO
19	409491	1	MICROINT.10A 3X22 C/ROTEL 4.8 V5C010FB3D	MICROSWITCH	MICROINTERRUPTEUR	MIKROSCHALTER	MICROINTERRUPTOR
20	450659	2	MOLLA TRAZ. 30X3X179	SPRING	RESSORT	FEDER	RESORTE
21	202482	1	MOLLA TRAZ. 30X4X142	SPRING	RESSORT	FEDER	RESORTE
22	443256	1	PERNO COMANDO BASAM+EXTRA PRESS MMG BS	PIN	AXE	BOLZEN	PERNO
23	443299	2	PERNO FISSAGGIO MARTINETTI	PIN	AXE	BOLZEN	PERNO
24	454652	2	PIEDE REGOLABILE M8x32 GAMM 7321695	RUBBER CAP	BOUCHON	GUMMISTOPFEN	TAPON DE GOMA
25	456757	2	REGISTRO INCLINAZIONE BAS. SPAZZ. C120	ADJUSTER	REGLAGE	VERSTELLSCHRAUBE	REGULADOR
26	409148	4	ROSETTA 4x8x3 NYLON	WASHER	RONDELLE	SCHEIBE	ARANDELA
27	439147	24	ROSETTA 10X30X2.5 UNI 6593 ZINC.	WASHER	RONDELLE	UNTERLAGSCHEIBE	ARANDELA
28	408346	2	SEEGER E 8	SEEGER RING	SERRE CLIPS	SEEGERRING	ANILLO SEEGER
29	408347	2	SEEGER E 10 UNI 7435	SEEGER RING	SERRE CLIPS	SEEGERRING	ANILLO SEEGER
30	408350	4	SEEGER E 16 X1 DIN 471	SEEGER RING	SERRE CLIPS	SEEGERRING	ANILLO SEEGER
31	455296	1	STAFFA CONTROLLO PRESS. SPAZZANTE C120	SUPPORT	SUPPORT	HALTERUNG	SOPORTE
32	408469	2	TESTA A SNODO D.10 CON GAMBO M10 SN	ARTICULATION HEAD	TETE ARTICULEE	KOPFGELENK	TESTA DE ARTICULACION
33	437783	1	TESTA A SNODO M6 FEMMINA	ARTICULATION HEAD	TETE ARTICULEE	KOPFGELENK	TESTA DE ARTICULACION
34	408468	2	TESTA A SNODO MASCHIO M10 DESTRO	ARTICULATION HEAD	TETE ARTICULEE	KOPFGELENK	TESTA DE ARTICULACION
35	408632	2	VITE M3X25 TE UNI 5739 A2	SCREW	VIS	SCHRAUBE	TORNILLO

CR-02B GRUPPO COM. BAS. SPAZZANTE C120

BRUSHES CONTROL ASSEMBLY
 GROUPE COMMANDE DES BROSSES
 GRUPPE BÜRSTENBETÄTIGUNG
 GRUPO MANDO CEPILLOS



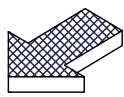
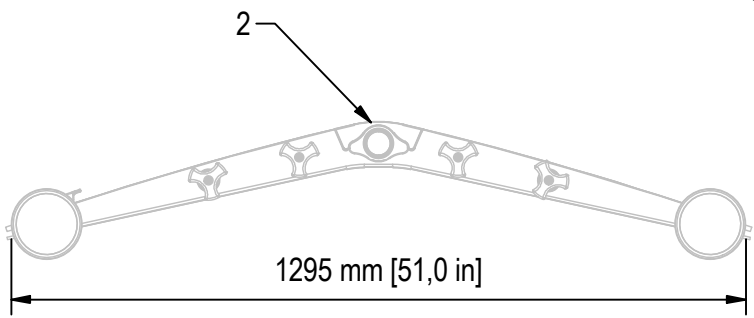
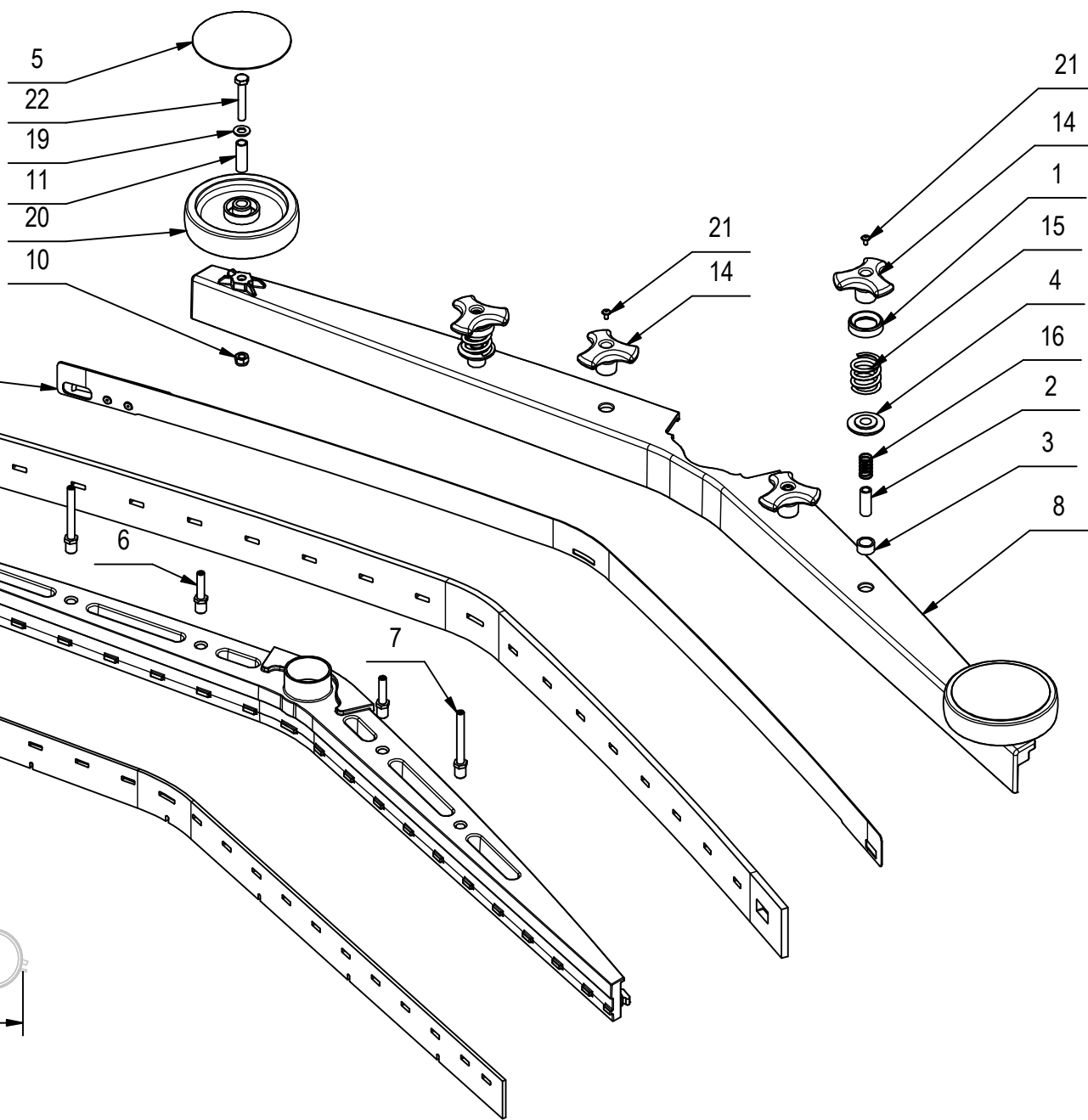
CR-02B GRUPPO COM. BAS. SPAZZANTE C120

02B

POS	CODICE	QTÀ	DESCRIZIONE	DESCRIPTION	DESIGNATION	BEZEICHNUNG	DESCRPCIÓN
36	408651	1	VITE M6x35 TE UNI 5739 ZINC	SCREW	VIS	SCHRAUBE	TORNILLO
37	408714	1	VITE M10x35 TE UNI 5739 ZINC	SCREW	VIS	SCHRAUBE	TORNILLO
38	408721	7	VITE M10X45 TE UNI 5737 FP ZINC	SCREW	VIS	SCHRAUBE	TORNILLO
39	408718	3	VITE M10X70 TE UNI 5739 ZINC	SCREW	VIS	SCHRAUBE	TORNILLO

CR-03 PREM. TERGI L=1295 C100 2018

SQUEEGEE ASSEMBLY
ENSEMBLE DE SUCEUR
SAUGFUSSGRUPPE
GRUPO LIMPIADOR DE SUELO



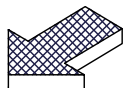
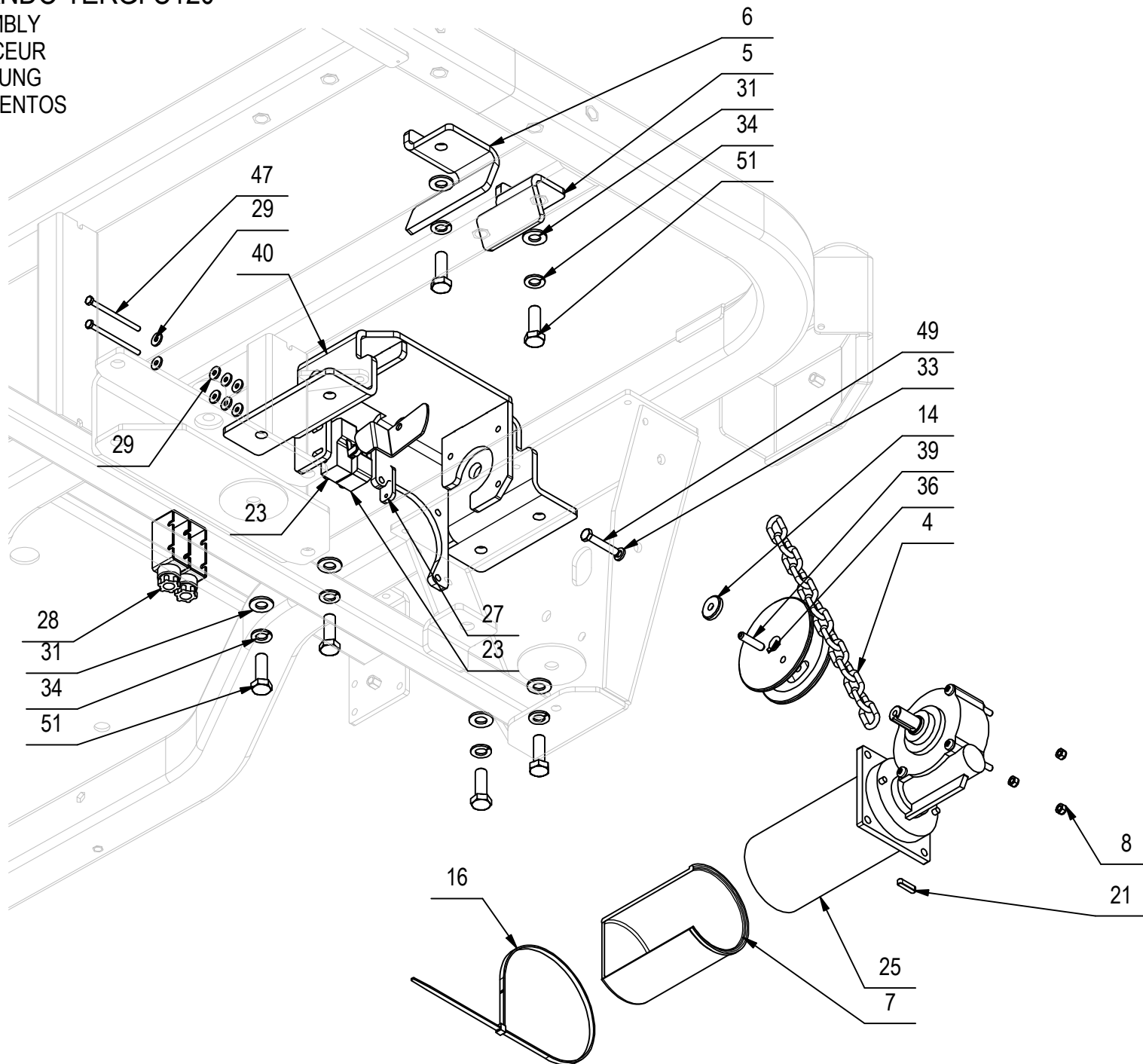
CR-03 PREM. TERGI L=1295 C100 2018

03

POS	CODICE	QTÀ	DESCRIZIONE	DENOMINATION	DESCRIPTION	BENENNUNG	DESCRIPCION
1	451690	2	BICCHIERE MOLLA SG TERGI MAGNA 2017 OT58	BUSHING	BAGUE	BUCHSE	CASQUILLO
2	451689	2	BOCCOLA D=12 d=8,2 S=31 OT58	BUSHING	BAGUE	BUCHSE	CASQUILLO
3	442949	2	BOCCOLA D=19 d=14,4 S=10 OTTONE	BUSHING	BAGUE	BUCHSE	CASQUILLO
4	451686	2	BOCCOLA SF. BLOCC. TERGI MAGNA 2017 OT58	BUSHING	BAGUE	BUCHSE	CASQUILLO
5	438624	2	BORCHIA COPRIRUOTA X RUOTA D125 99A10600	WHEEL COVER	COUVERCLE DE ROUE	RADDECKEL	CUBRERUEDA
6	442954	2	COLONNETTA M8-M12 CH=13 H=51 - A2	STUD BOLT	TIGE	GEWINDEBOLZEN	PRISIONERO
7	451730	2	COLONNETTA M8-M12 CH=13 H=85 - A2	STUD BOLT	TIGE	GEWINDEBOLZEN	PRISIONERO
8	448442	1	CORPO ESTERNO TERGI C100 2018 RAL 9005	EXTERNAL BODY OF SQUEEGEE	CORPS EXTÉRIEUR DE RACLETTE	ÄUSSERER KÖRPER VON SQUEEGEE	CUERPO EXTERNO DE LA ESCOBILLA DE GOMA
9	448443	1	CORPO INTERNO TERGI C100 2018 RAL 9005	INTERNAL BODY OF SQUEEGEE	CORPS INTERNE DE RACLE	INNERER KÖRPER VON SQUEEGEE	CUERPO INTERNO DE LA ESCOBILLA DE GOMA
10	409085	2	DADO M8x8.5 AUTOBL. UNI 7474 ZINC	LOCK NUT	ECROU AUTOFREINES	SICHERUNGSMUTTER	TUERCA AUTOBLOCANTE
11	438625	2	DISTANZIALE D=12 d=9 L=35,5 FE-94TC1200	SPACER	ENTRETOISE	DISTANZHÜLSE	DISTANCIADOR
12	448641	1	GOMMA ANT. PARA 40 SH S=4 H=50 L=1339	FRONT RUBBER	BAVETTE AVANT	VORDERER SAUGGUMMI	GOMA DELANTERA
13	448640	1	GOMMA POST. PARA 40 SH S=8 H=65 L=1365	REAR RUBBER	BAVETTE ARRIERE	HINTERER SAUGGUMMI	GOMA TRASERA
14	442892	4	MANOPOLA DI BLOCCO TERGI MMG 2016	KNOB	POIGNEE	HANDGRIFF	EMPUÑADURA
15	451700	2	MOLLA COMPR. 33x32x4 TERGI MAGNA 2017	SPRING	RESSORT	FEDER	RESORTE
16	442956	2	MOLLA COMPRESS. De=14 Df=0,9 L=25 Sp=7	SPRING	RESSORT	FEDER	RESORTE
17	228122	1	PREM. LAMA PREMIGOMMA TERGI C100 2018	BLADE	PLAQUETTE	LEISTE	LISTON
18	228124	1	PREMONTAGGIO CORPO TERGIPAVIMENTO	SQUEEGEE ASSEMBLY	SUCEUR COMPLET	SAUGFUSS KOMPLETT	LIMPIAPAVIMENTOS COMPLETO
19	409188	2	ROSETTA 9x18x1,5 ZINC	WASHER	RONDELLE	UNTERLAGSCHEIBE	ARANDELA
20	438623	2	RUOTA D.125 L=29 MOZZO L=34 (2125A03)	IDLE WHEEL	ROUE FOLLE	LOSRAD	RUEDA LIBRE
21	442958	4	VITE M4x8/8 ISO 7380-2 A2	SCREW	VIS	SCHRAUBE	TORNILLO
22	408692	2	VITE M8X50 TE UNI 5739 ZINC	SCREW	VIS	SCHRAUBE	TORNILLO

CR-04 GRUPPO COMANDO TERGI C120

SQUEEGEE CONTROL ASSEMBLY
 GROUPE COMMANDE DE SUCEUR
 GRUPPE SAUGFUSSBETÄTIGUNG
 GRUPO MANDO LIMPIAPAVIMENTOS



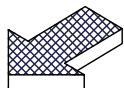
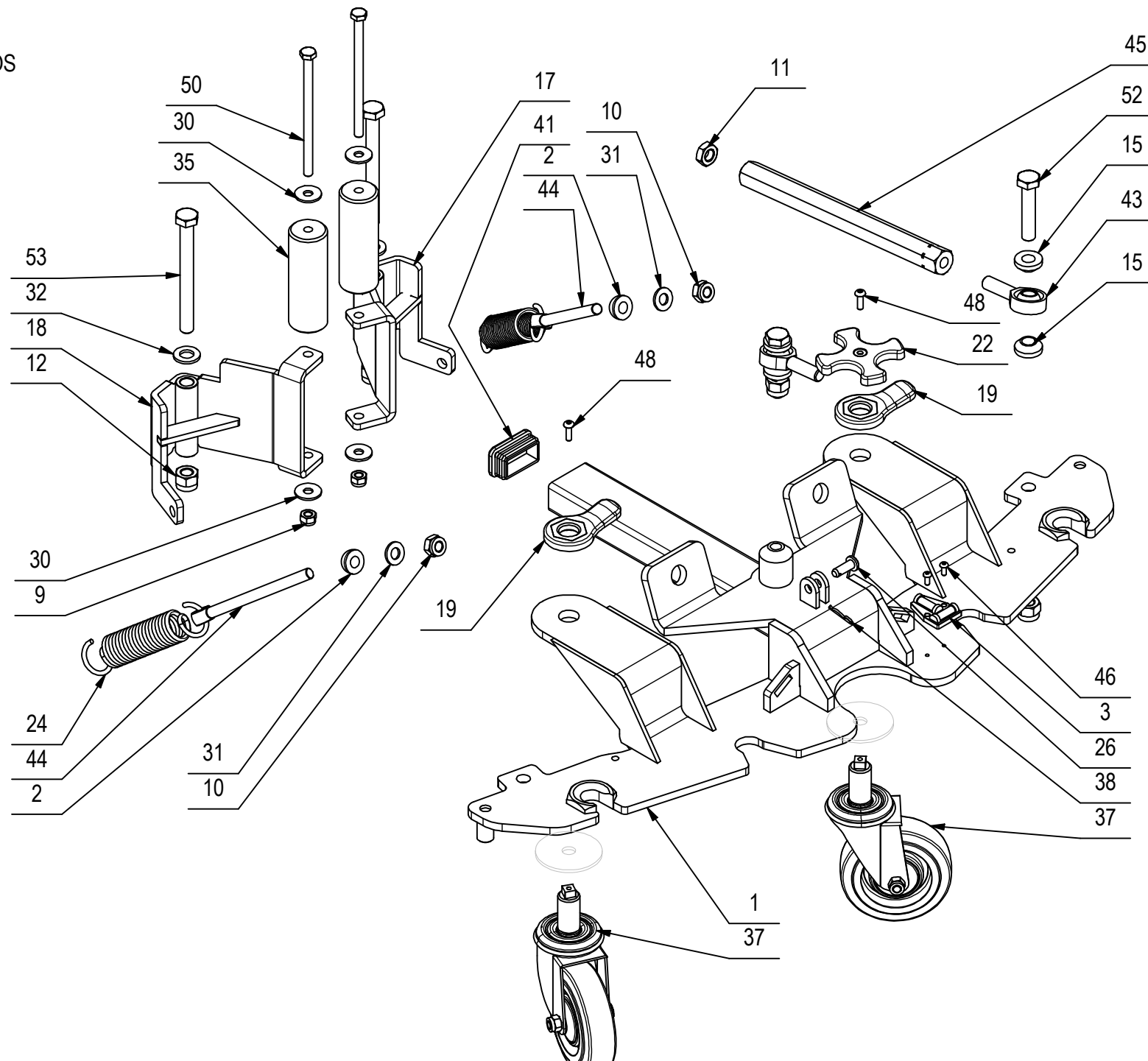
CR-04 GRUPPO COMANDO TERGI C120

04

POS	CODICE	QTÀ	DESCRIZIONE	DESCRIPTION	DESIGNATION	BEZEICHNUNG	DESCRIPCÓN
1	454775	1	ATTACCO TERGI C120	COUPLING	ATTAQUE	KUPPLUNG	ACOPLAMIENTO
2	206360	2	BOCCOLA D=22 d=10,5 GUIDA REGOLAZIONE	GUIDE	GUIDE	FÜHRUNG	GUIA
3	442964	1	BOLLA DI LIVELLO DOPPIA	BUBBLE LEVEL	NIVEAU A BULLE	BUBBLE LEVEL	NIVEL BURBUJA
4	231391	1	CATENA ZINC. NR 22 13 ANELLI	CHAIN	CHAINE	KETTE	CADENA
5	454781	1	CONVOGLIATORE DX CATENA TERGIP. C120	GUIDE	GUIDE	FÜHRUNG	GUIA
6	454779	1	CONVOGLIATORE SX CATENA TERGIP. C120	GUIDE	GUIDE	FÜHRUNG	GUIA
7	405938	1	CUFFIA PROTEZIONE	SHROUD	JOINT	LAGERRING	ANILLO
8	416781	3	DADO M5X5 AUTOBL. UNI 7473 ZINC	LOCK NUT	ECROU AUTOFREINES	SICHERUNGSMUTTER	TUERCA AUTOBLOCANTE
9	409085	2	DADO M8x8.5 AUTOBL. UNI 7474 ZINC	LOCK NUT	ECROU AUTOFREINES	SICHERUNGSMUTTER	TUERCA AUTOBLOCANTE
10	409090	2	DADO M10x10 AUTOBL. UNI 7474 ZINC	LOCK NUT	ECROU AUTOFREINES	SICHERUNGSMUTTER	TUERCA AUTOBLOCANTE
11	409067	3	DADO M12x7 UNI 5589 ZINC	NUT	ECROU	MUTTER	TUERCA
12	409093	6	DADO M12x14 AUTOBL. UNI 7473 ZINC	NUT	ECROU	MUTTER	TUERCA
13	453210	1	DISTANZIALE D=20 d=6.5 H=7	SPACER	ENTRETOISE	DISTANZHÜLSE	DISTANCIADOR
14	203245	1	DISTANZIALE D=22 d=6.5 S=4 AVP	SPACER	ENTRETOISE	DISTANZHÜLSE	DISTANCIADOR
15	210103	10	DISTANZIALE TESTA A SNODO M12	SPACER	ENTRETOISE	DISTANZHÜLSE	DISTANCIADOR
16	410276	1	FASCETTA PLASTICA 4.5X360	CLAMP	COLLIER	BRIDE	ABRAZADERA
17	454783	1	FERMO DX ATTACCO TERGI C120	STOP	ARRET	STOPBELEG	TOPE MECANICO
18	454782	1	FERMO SX ATTACCO TERGI C120	STOP	ARRET	STOPBELEG	TOPE MECANICO
19	442864	2	LEVA BLOCCAGGIO RUOTE TERGI M20x1,5	LEVER	LEVIER	HEBEL	PALANCA
20	206638	1	LEVA PER FINECORSO	LEVER	LEVIER	HEBEL	PALANCA
21	408402	1	LINGUETTA 5X5X20 UNI 6604/69	KEY	CLAVETTE	KEIL	CLAVIJA
22	442866	2	MANOPOLA REGOLAZIONE RUOTE TERGI	KNOB	POIGNEE	HANDGRIFF	EMPUÑADURA
23	409493	2	MICROINTERRUTTORE 15A 4x25 C/ROTEL.	MICROSWITCH	MICROINTERRUPTEUR	MIKROSCHALTER	MICROINTERRUPTOR
24	202482	2	MOLLA TRAZ. 30X4X142	SPRING	RESSORT	FEDER	RESORTE
25	407755	1	MOTORID. 36V 60W 15G MAGNA 65	GEARED MOTOR	MOTO-REDUCTEUR	GETRIEBEMOTOR	MOTORREDUCTOR
26	410461	1	PERNO DIN EN 22341 B 8x22	PIN	AXE	BOLZEN	PERNO
27	216787	1	PIASTRINA FILETTATA FISSAGGIO MICRO	PLAQUE	PLAQUETTE	BEFESTIGUNGSAUFLAGE	PLAQUETA
28	400631	2	PROTEZIONE MICROINTERRUTTORE	PROTECTION	PROTECTION	ABDECKUNG	PROTECCION
29	409144	8	ROSETTA 4,3x12x1,5 UNI 6593 ZINC	WASHER	RONDELLE	UNTERLAGSCHEIBE	ARANDELA
30	409179	4	ROSETTA 9x24x2,5 UNI 6593 ZINC	WASHER	RONDELLE	UNTERLAGSCHEIBE	ARANDELA
31	409191	8	ROSETTA 10X21X2 UNI 6592 ZINC	WASHER	RONDELLE	UNTERLAGSCHEIBE	ARANDELA
32	409201	2	ROSETTA 13x24x2.5 UNI 6592 ZINC	WASHER	RONDELLE	UNTERLAGSCHEIBE	ARANDELA
33	409164	1	ROSETTA GROWER 6x2,5x1,8 ASA B27 ZINC	LOCK WASHER	RONDELLE FREIN	ZAHNSCHEIBE	ARANDELLA DENTADA
34	415925	6	ROSETTA M10 UNI1751 ZN GROWER	LOCK WASHER	RONDELLE FREIN	ZAHNSCHEIBE	ARANDELLA DENTADA
35	432355	2	RULLINO GUIDA BRACCIO TERGI ULTRA 120B	ROLLER	GALET	ROLLE	CASQUILLO

CR-04 GRUPPO COMANDO TERGI C120

SQUEEGEE CONTROL ASSEMBLY
 GROUPE COMMANDE DE SUCEUR
 GRUPPE SAUGFUSSBETÄTIGUNG
 GRUPO MANDO LIMPIAPAVIMENTOS



CR-04 GRUPPO COMANDO TERGI C120

04

POS	CODICE	QTÀ	DESCRIZIONE	DESCRIPTION	DESIGNATION	BEZEICHNUNG	DESCRIPCION
36	454777	1	RULLO AVVOLGIMENTO CATENA C120	ROLLER	GALET	ROLLE	RODILLO
37	226988	2	RUOTA PIVOTTANTE D=100 + PERNO SPEC.	CASTOR WHEEL	ROUE PIVOTANTE	LENKROLLE	RUEDA PIVOTANTE
38	409394	1	SPILLO DIAM.1.8X34	CLIP	EPINGLE	SPLINT	ESPIGA
39	455189	1	SPINA SPIRALE PESANTE ISO 8748 - 6 X 28	SPRING PIN	FOURCHETTE	SPANNSTIFT	PASADOR ELASTICO
40	454778	1	SUPPORTO MARTINETTO TERGI C120	SUPPORTE	SUPPORT	HALTERUNG	SUPPORT
41	448643	1	TAPPO FORO RETTANG. GAMM TR/50x30 S.T.=3	CAP	COUVERCLE	DECKEL	TAPA
42	408471	3	TESTA A SNODO MASCHIO M12 DX	ARTICULATION HEAD DX	TETE ARTICULEE DX	KOPFGELENK DX	TESTA DE ARTICULACION DX
43	408472	3	TESTA A SNODO MASCHIO M12 SX	ARTICULATION HEAD SX	TETE ARTICULEE SX	KOPFGELENK SX	TESTA DE ARTICULACION SX
44	455188	2	TIRANTE AD OCCHIO M10x130 ZINC UNI 6058	TIE ROD	TIGE	SPANNSTANGE	TIRANTE
45	454776	3	TIRANTE COMANDO TERGIPAVIMENTO C120	TIE ROD	TIGE	SPANNSTANGE	TIRANTE
46	422111	2	VITE M4x10 TCBEI ISO 7380 A2	SCREW	VIS	SCHRAUBE	TORNILLO
47	408650	2	VITE M4X60 TE UNI 5739 A2	SCREW	VIS	SCHRAUBE	TORNILLO
48	415849	2	VITE M5X16 TCBEI ISO 7380 A2	SCREW	VIS	SCHRAUBE	TORNILLO
49	408651	1	VITE M6x35 TE UNI 5739 ZINC	SCREW	VIS	SCHRAUBE	TORNILLO
50	408689	2	VITE M8x130 TE UNI5737 FP ZINC	SCREW	VIS	SCHRAUBE	TORNILLO
51	408712	6	VITE M10X30 TE UNI 5739 ZINC	SCREW	VIS	SCHRAUBE	TORNILLO
52	455192	6	VITE M12X60 TE UNI 5739 ZINC	SCREW	VIS	SCHRAUBE	TORNILLO
53	415737	2	VITE M12X120 TE UNI 5737 (8.8) ZINC.	SCREW	VIS	SCHRAUBE	TORNILLO

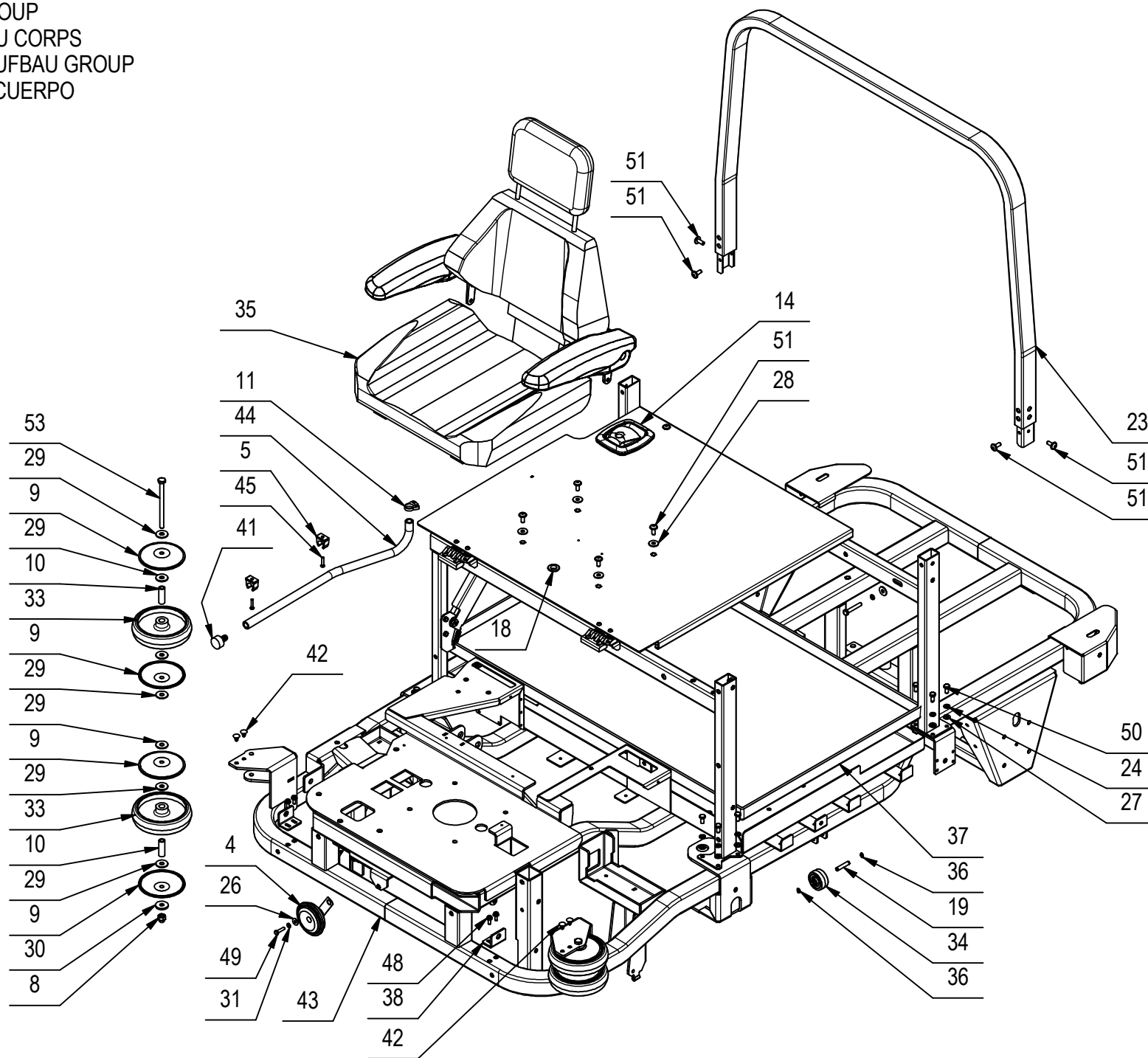
CR-05 GRUPPO TELAIO C120 B

FRAME AND BODY GROUP

CADRE ET GROUPE DU CORPS

FAHRGESTELL UND AUFBAU GROUP

MARCO Y GRUPO DE CUERPO



CR-05 GRUPPO TELAIO C120 B

05

POS	CODICE	QTÀ	DESCRIZIONE	DESCRIPTION	DESIGNATION	BEZEICHNUNG	DESCRIPCÓN
1	455128	1	BASE SEDILE C120	SEAT SUPPORT FRAME	SUPPORT DE SIÈGE	SUPPORT FÜR SITZRAHMEN	SOPORTE DE ASIENTO
2	449512	1	BOCCOLA D=CH17-14 d=M8 S=9,5 OT58	BUSHING	BAGUE	BUCHSE	CASQUILLO
3	434159	2	CERNIERA ELESA FORI ASOLATI - CFA-SL-HV	HINGE	CHARNIERE	SCHARNIER	BISAGRA
4	409784	1	CLAXON 48V	HORN	KLAXON	HUPE	BOCINA
5	411814	2	COLLARE TUBO D. 20 FISCHER	COLLAR	COLLIER	BUNDRING	COLLAR
6	409082	4	DADO M6x6 AUTOBL UNI 7474 ZINC	LOCK NUT	ECROU AUTOFREINES	SICHERUNGSMUTTER	TUERCA AUTOBLOCANTE
7	409085	1	DADO M8x8.5 AUTOBL. UNI 7474 ZINC	LOCK NUT	ECROU AUTOFREINES	SICHERUNGSMUTTER	TUERCA AUTOBLOCANTE
8	415913	2	DADO M10 CIECO UNI 5721	NUT UNI 5721	ECROU UNI 5721	MUTTER UNI 5721	TUERCA UNI 5721
9	438493	8	DISCO COPRI RUOTA D=150 GRIGIO	WHEEL COVER	COUVERCLE DE ROUE	RADDECKEL	CUBRERUEDA
10	222435	4	DISTANZIALE D=16 d=10 l=45 AVP ZINCATO	SPACER	ENTRETOISE	DISTANZHÜLSE	DISTANCIADOR
11	449737	1	FASCETTA SCATTO HERBIE HCL-H Ø18,1-20,6	CLAMP	COLLIER	BRIDE	ABRAZADERA
12	449505	1	FINECORSO MOLLA A GAS C85 2018	STOP	FIN DE COURSE	ENDANSCHLAG	FIN DE CARRERA
13	448830	1	GUIDA LAMIERA SEDILE C85 2018	PIN	AXE	BOLZEN	PERNO
14	448831	1	MANIGLIA CHIUSURA R3-20-300-50	HOOK	CROCHET	HAKEN	GANCHO
15	455152	1	MOLLA A GAS L=586 C=250 F=450N	GAS SHOCK ABSORBER	RESSORT	GASFEDER	AMORTIGUADOR A GAS
16	202480	1	MOLLA TRAZ. 10X1,1X46 ZINC	SPRING	RESSORT	FEDER	RESORTE
17	440042	1	PASSACAVO GOMMA NERA 30x23x3	FAIRLEAD	PASSE-CABLE	KABELDURCHGANG	GUIACABLE
18	409809	1	PASSACAVO PER FORO D.25 Di=15	FAIRLEAD	PASSE-CABLE	KABELDURCHGANG	GUIACABLE
19	448484	1	PERNO D=8 L=42 OT58	PIN	AXE	BOLZEN	PERNO
20	448826	1	PIASTRA CHIAVISTELLO MANIGLIA C85 2018	CLOSING	FERMETURE	SCHLIESSUNG	CIERRE
21	448506	1	PIASTRA FISSAGGIO MOLLA A GAS	SUPPORT	ATTAQUE	HALTERUNG	SOPORTE
22	215540	1	PROF. ASSOTECH A055_A56031 L = 590	GASKET	JOINT	ABDICHTUNG	JUNTA
23	231710	1	ROLL BAR C120	ROLL BAR	ROLL BAR	ROLL BAR	ROLL BAR
24	417997	16	RONDELLA D.8 GROWER ZINCATA	LOCK WASHER	RONDELLE FREIN	ZAHNSCHEIBE	ARANDELLA DENTADA
25	409156	2	ROSETTA 6x12x1,6 UNI 6592 ZINC	WASHER	RONDELLE	UNTERLAGSCHEIBE	ARANDELA
26	409160	1	ROSETTA 6x18x1,5 UNI 6593 ZINC	WASHER	RONDELLE	UNTERLAGSCHEIBE	ARANDELA
27	409175	17	ROSETTA 8x17x1,6 UNI 6592 ZINC.	WASHER	RONDELLE	UNTERLAGSCHEIBE	ARANDELA
28	409179	8	ROSETTA 9x24x2,5 UNI 6593 ZINC	WASHER	RONDELLE	UNTERLAGSCHEIBE	ARANDELA
29	409194	14	ROSETTA 11x30x2,5 UNI 6593 ZINC	WASHER	RONDELLE	UNTERLEGSCHIEBE	ARANDELA
30	409199	2	ROSETTA D=32 d=10,5 S=4 ZINC	WASHER	RONDELLE	UNTERLAGSCHEIBE	ARANDELA
31	409164	5	ROSETTA GROWER 6x2,5x1,8 ASA B27 ZINC	LOCK WASHER	RONDELLE FREIN	ZAHNSCHEIBE	ARANDELLA DENTADA
32	409181	4	ROSETTA GROWER 8x13x2,2 ZINC	LOCK WASHER	RONDELLE FREIN	ZAHNSCHEIBE	ARANDELLA DENTADA
33	436424	4	RUOTA 150X44 FORO 15 RES (150DB)	WHEEL	ROUE	RAD	RUEDA
34	405693	1	RUOTA D.50x22 GOMMA NERA CON PERNO	RUBBER WHEEL	ROUE CAOUTCHOUC	GUMMIRAD	RUEDA DE GOMA
35	215507	1	SEDILE SEAT COMPLETO - CS100	SEAT	SIEGE	SITZ	ASIENTO

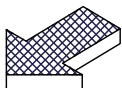
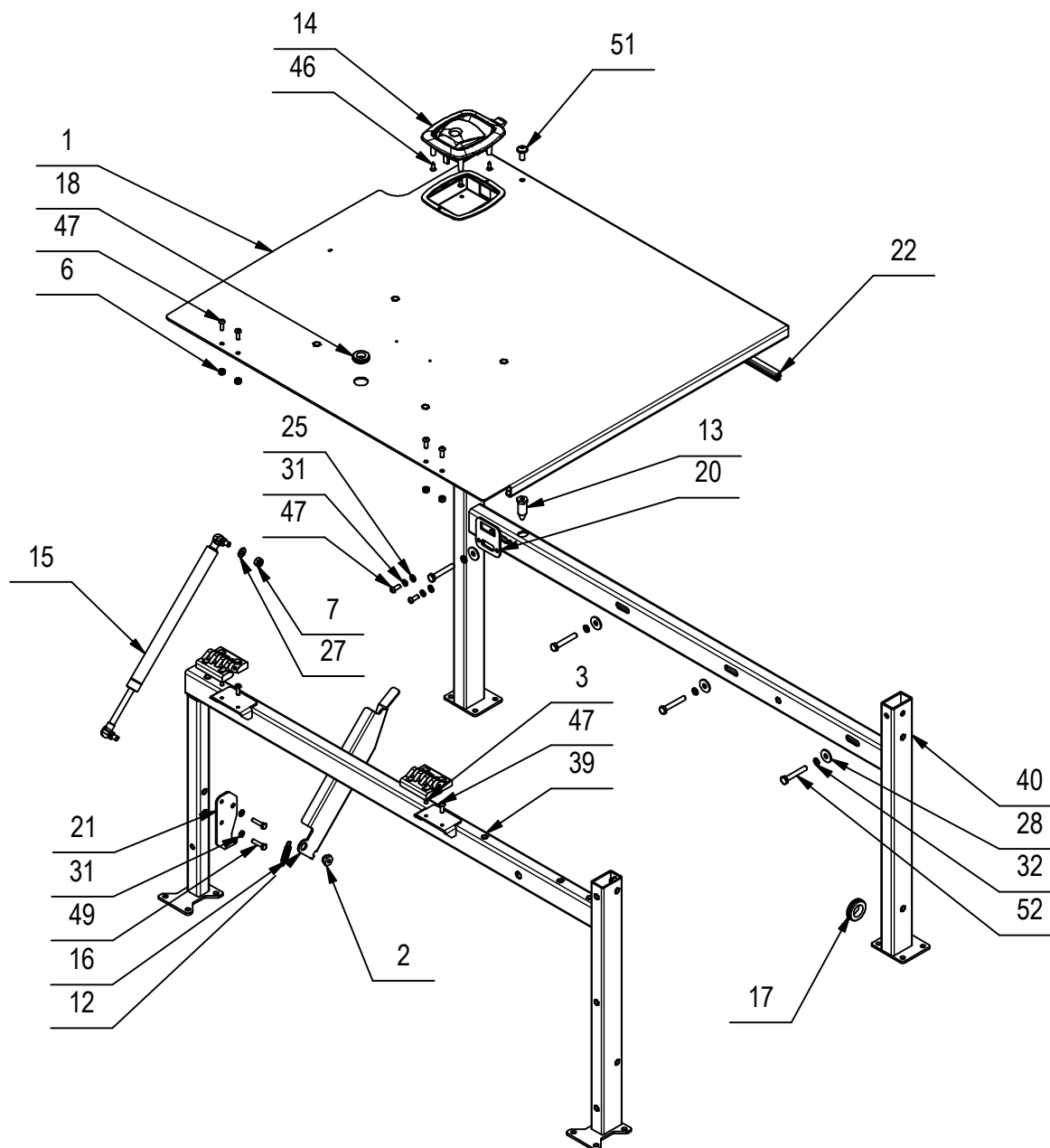
CR-05 GRUPPO TELAIO C120 B

FRAME AND BODY GROUP

CADRE ET GROUPE DU CORPS

FAHRGESTELL UND AUFBAU GROUP

MARCO Y GRUPO DE CUERPO



CR-05 GRUPPO TELAIO C120 B

05

POS	CODICE	QTÀ	DESCRIZIONE	DESCRIPTION	DESIGNATION	BEZEICHNUNG	DESCRIPCION
36	408346	2	SEEGER E 8	SEEGER RING	SERRE CLIPS	SEEGERRING	ANILLO SEEGER
37	456986	1	SOTTOFONDO BATTERIE ABS 623 X 1054 C120	BATTERY BASE	BAC LOGEMENT BATTERIES	BATTERIEKASTEN	PLACA ASIENTO BATERIAS
38	455120	2	STAFFA TELAIO MUSETTO C120	SUPPORT	ATTAQUE	HALTERUNG	SOPORTE FIJADOR
39	455118	1	SUPPORTO SEDILE ANTERIORE C120	FRONT SEAT SUPPORT	SUPPORT DE SIÈGE	VORDERSITZHALTERUNG	SOPORTE ASIENTO
40	455121	1	SUPPORTO SEDILE POSTERIORE C120	SUPPORT	SUPPORT	HALTERUNG	SOPORTE
41	400651	1	TAPPO D=13 NYLON	PLUG	BOUCHON	STOPFEN	TAPON
42	424050	4	TAPPO PER FORI VARIABILI D=8,5-14,5	CAP	CAPUCHON	KAPPE	TAPON
43	231361	1	TELAIO C120	FRAME	CHASSIS	RAHMEN	BASTIDOR
44	209636	1	TUBO Di=13 De=20 L=630 PVC	PIPE	TUBE	ROHR	TUBO
45	408856	2	VITE M5x25 TCTC UNI 7687 ZINC	SCREW	VIS	SCHRAUBE	TORNILLO
46	408890	4	VITE D.4,8x16 TSPTC AUTOF.NICH UNI7050	SCREW	VIS	SCHRAUBE	TORNILLO
47	428317	10	VITE M6x16 TCBEI UNI ISO 7380 A2	SCREW	VIS	SCHRAUBE	TORNILLO
48	451254	4	VITE M6x16 TCEI ZIGRINATURA SOTTOTESTA	SCREW	VIS	SCHRAUBE	TORNILLO
49	407669	3	VITE M6x25 TE UNI 5739 ZINC	SCREW	VIS	SCHRAUBE	TORNILLO
50	408669	16	VITE M8x16 TE UNI 5739 ZINC	SCREW	VIS	SCHRAUBE	TORNILLO
51	428729	9	VITE M8x20 TBEI ISO 7380 FL INOX	SCREW	VIS	SCHRAUBE	TORNILLO
52	408692	4	VITE M8X50 TE UNI 5739 ZINC	SCREW	VIS	SCHRAUBE	TORNILLO
53	440508	2	VITE M10X140 TE UNI 5737 (8.8) ZINC.	SCREW	VIS	SCHRAUBE	TORNILLO

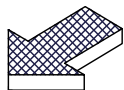
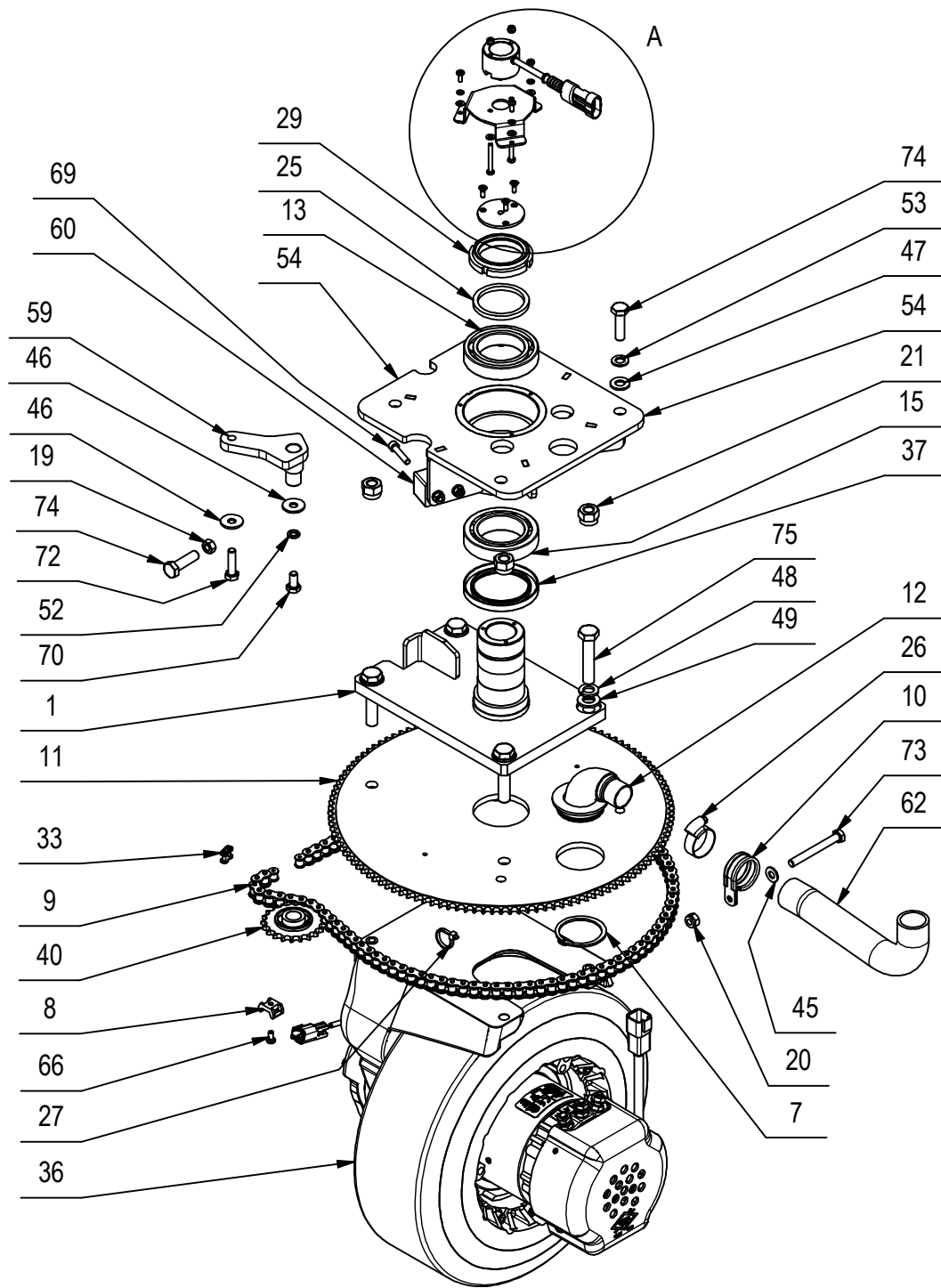
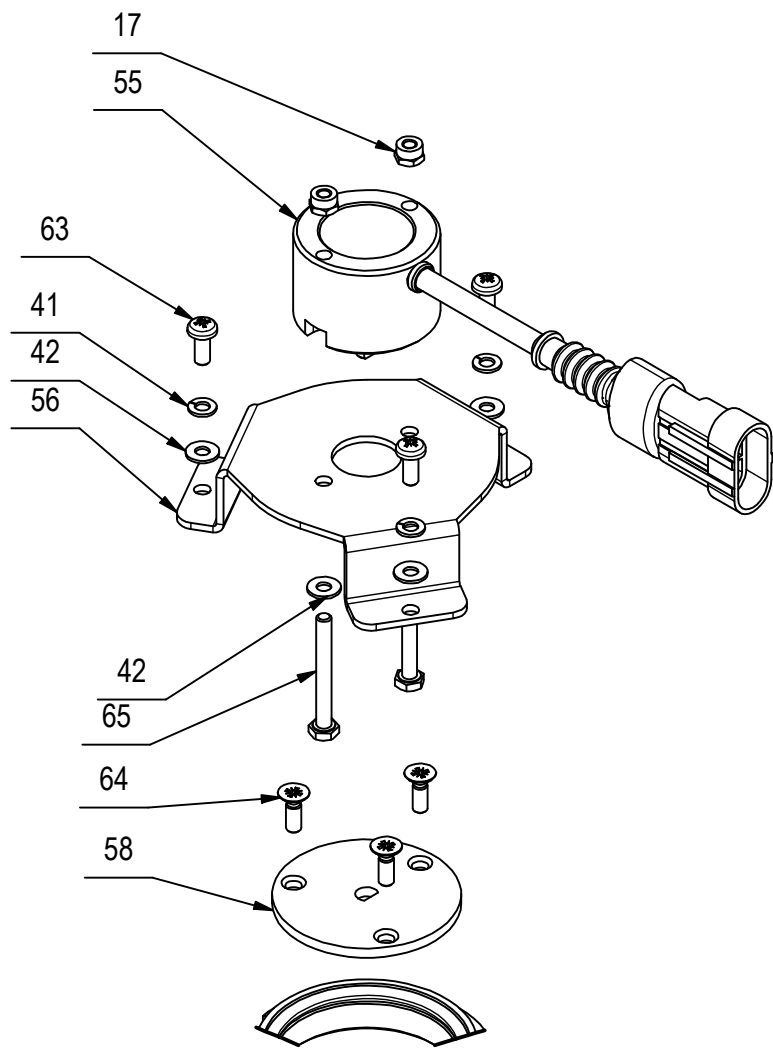
CR-06/07 GRUPPO STERZO E TRAZIONE C120

STEERING GEAR-TRACTION ASSEMBLY

ENSEMBLE DE VOLANT-TRACTION

LENKGRUPPE-ANTRIEBSGRUPPE

GRUPO DE DIRECCION-TRACCION



CR-06/07 GRUPPO STERZO E TRAZIONE C120

06/07

POS	CODICE	QTÀ	DESCRIZIONE	DESCRIPTION	DESIGNATION	BEZEICHNUNG	DESCRIPCÓN
1	455163	1	ALBERO FLANGIATO MOTORUOTA C120	SHAFT	ARBRE	WELLE	EJE
2	455153	1	ALBERO INFERIORE STERZO C120	SHAFT	ARBRE	WELLE	EJE
3	455154	1	ALBERO STERZO INTERMEDIO C120	SHAFT	ARBRE	WELLE	EJE
4	455155	1	ALBERO VOLANTE STERZO C120	SHAFT	ARBRE	WELLE	EJE
5	203591	1	ANELLO DI ARRESTO D=35 d=20 S=13	STOP RING	BAGUE D'ARRET	STOPRING	ANILLO DE PARADA
6	455151	1	ANELLO DI ARRESTO D=35 d=20 S=26	STOP RING	BAGUE D'ARRET	STOPRING	ANILLO DE PARADA
7	443225	1	ANELLO SEEGER E 50 x 2,15 - DIN 471 - A2	SEEGER RING	SERRE CLIPS	SEEGERRING	ANILLO SEEGER
8	409819	2	BASSETTA TC 142 PER FASCETTE	SUPPORT PLATE	PLAQUE SUPPORT	STÜTZPLATTE	PLACA SOPORTE
9	456566	1	CATENA 3/8" x 7/32" 127 PASSI DIN 8187	CHAIN	CHAINE	KETTE	CADENA
10	430438	1	COLLARE ISOLATO FS8 D.35	COLLAR	COLLIER	BRIDE	ABRAZADERA
11	455157	1	CORONA 3/8"x7/32" Z=120 LAVORATA	CROWN GEAR	COURONNE	ZAHNKETTENRAD	CORONA DENTADA
12	455158	1	CURVA MOBILE CAVI STERZO C120	CURVED FITTING	RACCORD INCURVÉ	GEBOGENER EINBAU	MONTAJE CURVADO
13	408450	1	CUSCINETTO 6010 2RS 50x80x16	BEARING	ROULEMENT	LAGER	COJINETE
14	448532	4	CUSCINETTO 61904 2RS1 (20x37x9)	BEARING	ROULEMENT	LAGER	COJINETE
15	408458	1	CUSCINETTO A RULLI 32010 50x80x20	BEARING	ROULEMENT	LAGER	COJINETE
16	415662	1	CUSCINETTO SB 204 CON BLOCC. PER SUPP.	BEARING	ROULEMENT	LAGER	COJINETE
17	415898	2	DADO M4 AUTOBL UNI7474	LOCK NUT	ECROU AUTOBLOQUANT	STOPMUTTER	TUERCA AUTOBLOCANTE
18	409082	8	DADO M6x6 AUTOBL UNI 7474 ZINC	LOCK NUT	ECROU AUTOFREINES	SICHERUNGSMUTTER	TUERCA AUTOBLOCANTE
19	409046	1	DADO M8x6,5 UNI 5588 ZINC	NUT	ECROU	MUTTER	TUERCA
20	409085	3	DADO M8x8.5 AUTOBL. UNI 7474 ZINC	LOCK NUT	ECROU AUTOFREINES	SICHERUNGSMUTTER	TUERCA AUTOBLOCANTE
21	409093	4	DADO M12x15 AUTOBL. UNI 7473 ZINC	NUT	ECROU	MUTTER	TUERCA
22	415895	1	DADO M14X2 UNI 5589 ZINC. BASSO	SCREW	VIS	SCHRAUBE	TORNILLO
23	448527	1	DEVIO MARCIA 01-13-65-0000	DIRECTION SELECTOR	SÉLECTEUR DE DIRECTION	RICHTUNGSWAHLSCHALTER	SELECTOR DE DIRECCIÓN
24	448531	2	DISTANZIALE D=25 d=20,2 S=32 AVP	SPACER	ENTRETOISE	DISTANZHÜLSE	DISTANCIADOR
25	210077	1	DISTANZIALE D=60 d=50,2 S=5 AVP	SPACER	ENTRETOISE	DISTANZHÜLSE	DISTANCIADOR
26	416174	1	FASCETTA A VITE 19-28	CLAMP	COLLIER	BRIDE	ABRAZADERA
27	410275	1	FASCETTA PLASTICA 3,6x140 BIANCA	CLAMP	COLLIER	BRIDE	ABRAZADERA
28	415663	2	FLANGIA BPFL 204 PER SUPPORTO	FLANGE	FLASQUE	FLANSCH	BRIDA
29	409103	1	GHIERA AUTOFRENANTE M50X1.5	RING NUT	EMBOUT	NUTMUTTER	TUERCA ANULAR
30	438504	1	GHIERA M20x1 AUTOBLOCCANTE ZINC.	RING NUT	EMBOUT	NUTMUTTER	TUERCA ANULAR
31	453715	1	GIUNTO CARDANICO DOPPIO ALBERO D.20 C120	UNIVERSAL JOINT	JOINT UNIVERSEL	KREUZGELENK	ARTICULACION DE CARDAN
32	410560	1	GIUNTO CARDANICO P1 D=20 C120	UNIVERSAL JOINT	JOINT UNIVERSEL	KREUZGELENK	ARTICULACION DE CARDAN
33	411947	1	GIUNTO CATENA DA 3/8	JOINT CHAIN	ATTACHE RAPIDE CHAINE	KETTENSCHLOSS	ACOPLAMIENTO CADENA
34	408911	2	GRANO M8X10 EI UNI 5927	DOWEL	VIS CYLINDRIQUE	MADENSCHRAUBE	TORNILLO
35	449045	1	GUARNIZIONE MOUSSE VOLANTE C85 2018	GASKET	JOINT	DICHTUNG	JUNTA

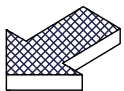
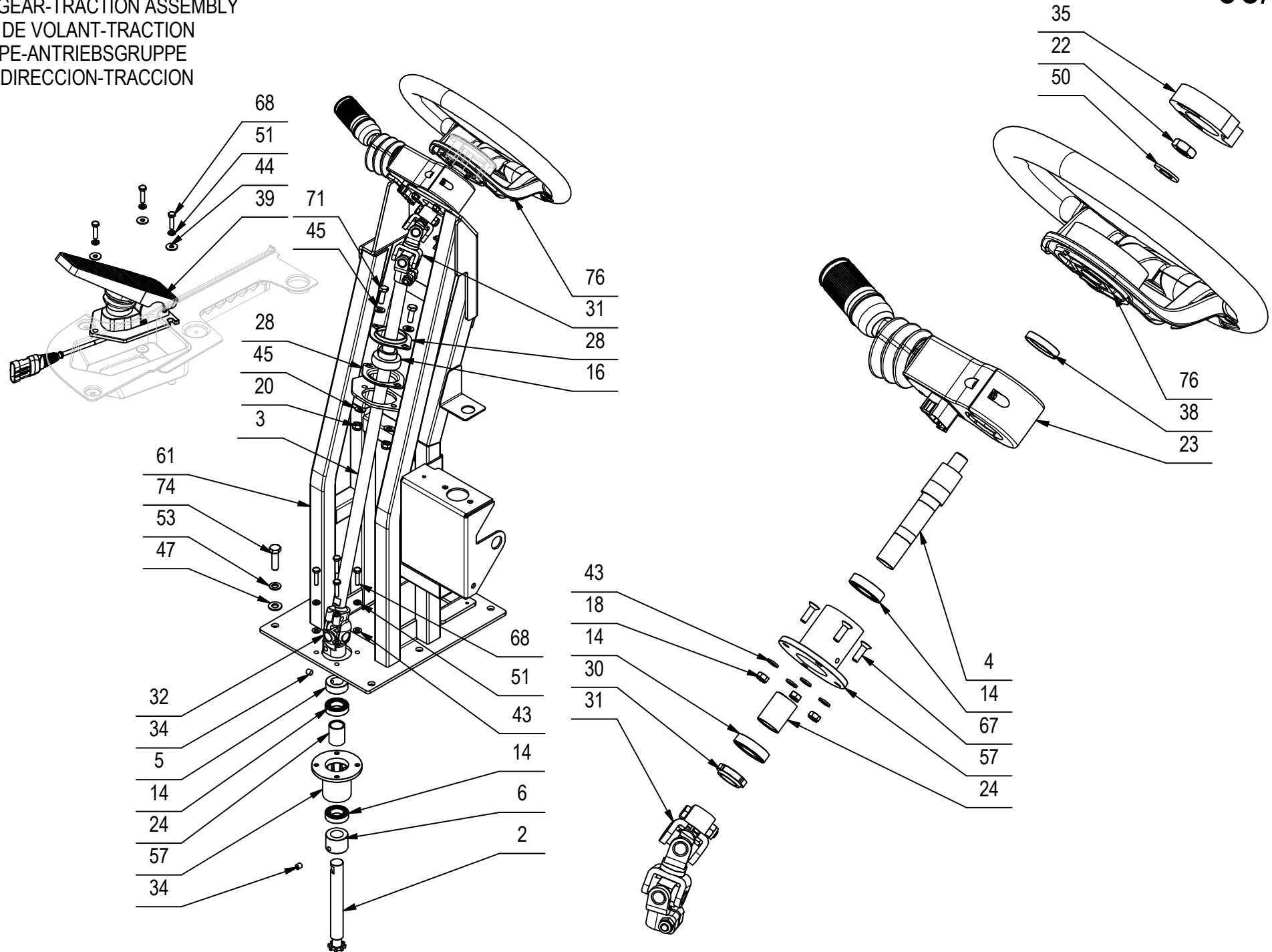
CR-06/07 GRUPPO STERZO E TRAZIONE C120

STEERING GEAR-TRACTION ASSEMBLY

ENSEMBLE DE VOLANT-TRACTION

LENKGRUPPE-ANTRIEBSGRUPPE

GRUPO DE DIRECCION-TRACCION



CR-06/07 GRUPPO STERZO E TRAZIONE C120

06/07

POS	CODICE	QTÀ	DESCRIZIONE	DESCRIPTION	DESIGNATION	BEZEICHNUNG	DESCRIPCÓN
36	455159	1	MOTORUOTA CIMA 10401NT-I 350x130 2000W				
37	408490	1	PARAOLIO D.58x80x8	OIL SEAL	JOINT PAULSTRA	SIMMERING	ARO RASCADOR DE ACEITE
38	448530	1	PARAOLIO DIAM.25x37x7 TC 2 LABBRA	OIL SEAL	JOINT PAULSTRA	SIMMERING	ARO RASCADOR DE ACEITE
39	455150	1	PEDALE ELEN MOD.MYTHOS COD.AA325000-2	PEDAL	PEDALE	PEDAL	PEDAL
40	448518	1	PIGNONE TENDICATENA 3/8" x 7/32" Z=21	PINION	PIGNON	RITZEL	PIÑON
41	415941	3	ROSETTA 4 UNI1751 ZINC GROWER	LOCK WASHER	RONDELLE FREIN	ZAHNSCHEIBE	ARANDELLA DENTADA
42	409142	5	ROSETTA 4x9x0,8 UNI 6592 ZINC	WASHER	RONDELLE	UNTERLAGSCHEIBE	ARANDELA
43	409156	16	ROSETTA 6x12x1,6 UNI 6592 ZINC	WASHER	RONDELLE	UNTERLAGSCHEIBE	ARANDELA
44	409160	3	ROSETTA 6x18x1,5 UNI 6593 ZINC	WASHER	RONDELLE	UNTERLAGSCHEIBE	ARANDELA
45	409175	5	ROSETTA 8x17x1,6 UNI 6592 ZINC.	WASHER	RONDELLE	UNTERLAGSCHEIBE	ARANDELA
46	409179	2	ROSETTA 9x24x2,5 UNI 6593 ZINC	WASHER	RONDELLE	UNTERLAGSCHEIBE	ARANDELA
47	409191	7	ROSETTA 10X21X2 UNI 6592 ZINC	WASHER	RONDELLE	UNTERLAGSCHEIBE	ARANDELA
48	409206	4	ROSETTA 12x21x2,5 GROWER B12 UNI 9195 ZN	WASHER	RONDELLE	UNTERLAGSCHEIBE	ARANDELA
49	409201	4	ROSETTA 13x24x2.5 UNI 6592 ZINC	WASHER	RONDELLE	UNTERLAGSCHEIBE	ARANDELA
50	409211	1	ROSETTA 15x28x2,5 ZINC	WASHER	RONDELLE	SCHEIBE	ARANDELA
51	409164	7	ROSETTA GROWER 6x2,5x1,8 ASA B27 ZINC	LOCK WASHER	RONDELLE FREIN	ZAHNSCHEIBE	ARANDELLA DENTADA
52	409181	2	ROSETTA GROWER 8x13x2,2 ZINC	LOCK WASHER	RONDELLE FREIN	ZAHNSCHEIBE	ARANDELLA DENTADA
53	409196	7	ROSETTA GROWER 10x18x2,2 ZINC	LOCK WASHER	RONDELLE FREIN	ZAHNSCHEIBE	ARANDELLA DENTADA
54	448520	1	SEDE ALBERO MOTORUOTA C85 2018	BEARING SUPPORT	SUPPORT ROULEMENT	LAGERHALTERUNG	SOPORTE COJINETE
55	448526	1	SENSORE ANGOLARE AA020575-3	ANGULAR SENSOR	DETECTEUR ANGULAIRE	MESSKREISELSENSOR	DETECTOR ANGULAR
56	448521	1	SUPPORTO FISSO SENSORE STERZO C85 2018	SUPPORT	SUPPORT	HALTERUNG	SOPORTE
57	228131	2	SUPPORTO INVERSO STERZO C85 2018	SUPPORT	SUPPORT	HALTERUNG	SOPORTE
58	448528	1	SUPPORTO MOBILE SENSORE C85 2018	SUPPORT	SUPPORT	HALTERUNG	SOPORTE
59	455156	1	SUPPORTO TENDICATENA C120	BEARING SUPPORT	SUPPORT ROULEMENT	LAGERHALTERUNG	SOPORTE COJINETE
60	429211	2	TAMPONE RETTANGOLARE IN GOMMA 48X29X28	STOP	FIN DE COURSE	ENDANSCHLAG	FIN DE CARRERA
61	455143	1	TELAIO SUPPORTO STERZO C120	STEERING SUPPORT FRAME	SUPPORT DE DIRECTION	STÜTZRAHMEN	SOPORTE DE DIRECCIÓN
62	228087	1	TUBO CAVI MOTORUOTA D=34 d=27,5 L=370	PIPE	TUBE	ROHR	TUBO
63	416785	3	VITE M4x10 TCTC UNI 7687 ZINC	SCREW	VIS	SCHRAUBE	TORNILLO
64	415793	3	VITE M4x12 TPSTC UNI 7688 (4.8) ZINC	SCREW	VIS	SCHRAUBE	TORNILLO
65	415713	2	VITE M4x35 TE UNI 5739 ZINC.	SCREW	VIS	SCHRAUBE	TORNILLO
66	418311	2	VITE M5x10 TCTC UNI 7687 (4.8) ZINC.	SCREW	VIS	SCHRAUBE	TORNILLO
67	448529	4	VITE M6x20 TSPEI UNI 5933 ZINC.	SCREW	VIS	SCHRAUBE	TORNILLO
68	407669	7	VITE M6x25 TE UNI 5739 ZINC	SCREW	VIS	SCHRAUBE	TORNILLO
69	408798	4	VITE M6x30 TCEI UNI 5931 ZINC	SCREW	VIS	SCHRAUBE	TORNILLO
70	408669	1	VITE M8x16 TE UNI 5739 ZINC	SCREW	VIS	SCHRAUBE	TORNILLO

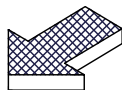
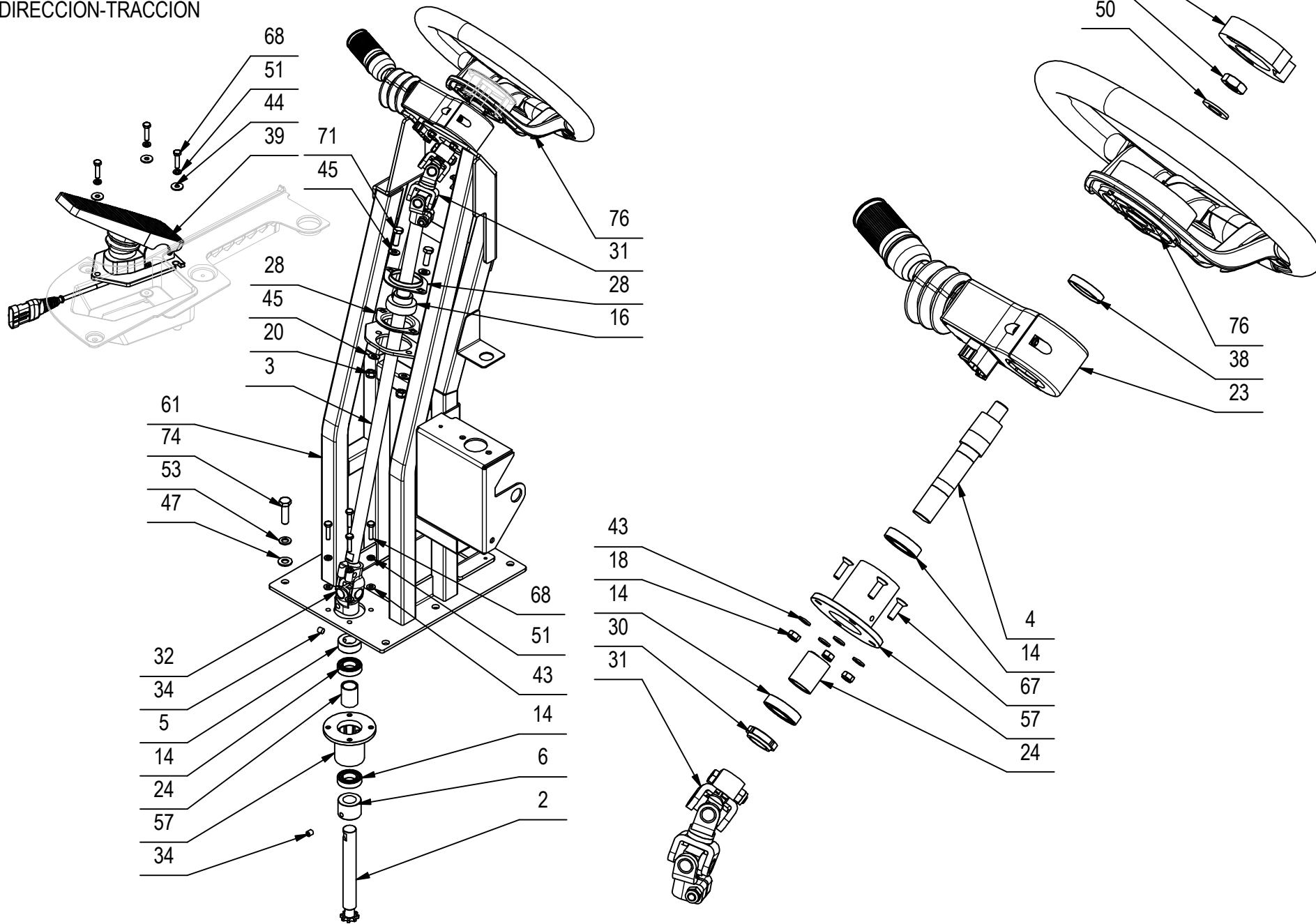
CR-06/07 GRUPPO STERZO E TRAZIONE C120

STEERING GEAR-TRACTION ASSEMBLY

ENSEMBLE DE VOLANT-TRACTION

LENKGRUPPE-ANTRIEBSGRUPPE

GRUPO DE DIRECCION-TRACCION



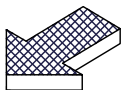
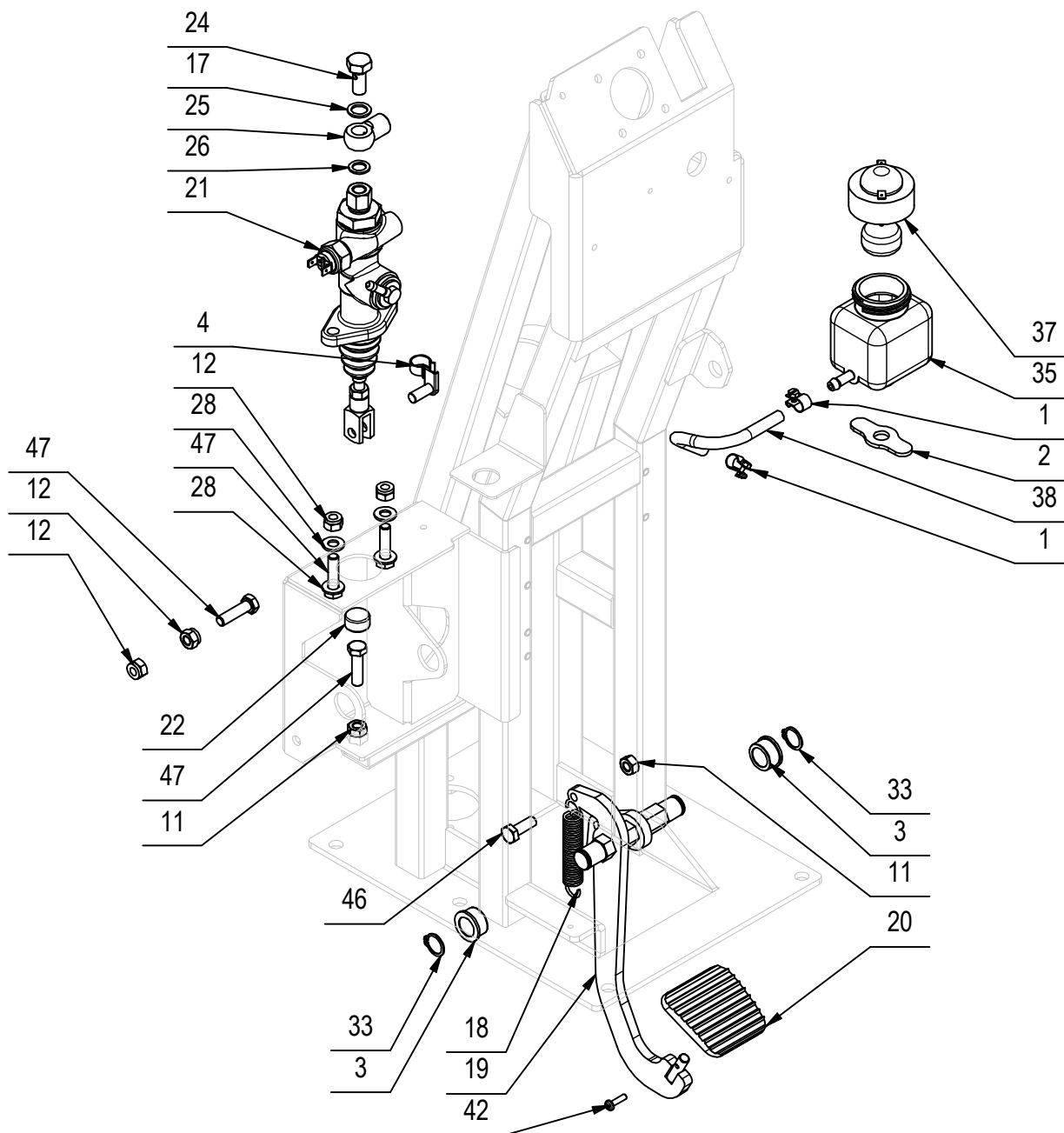
CR-06/07 GRUPPO STERZO E TRAZIONE C120

06/07

POS	CODICE	QTÀ	DESCRIZIONE	DESCRIPTION	DESIGNATION	BEZEICHNUNG	DESCRPCIÓN
71	408672	2	VITE M8X22 TE UNI 5739 ZINC.	SCREW	VIS	SCHRAUBE	TORNILLO
72	408676	1	VITE M8x30 TE UNI 5739 ZINC	SCREW	VIS	SCHRAUBE	TORNILLO
73	408686	1	VITE M8X70 TE UNI 5737 FP ZINC	SCREW	VIS	SCHRAUBE	TORNILLO
74	408714	8	VITE M10x35 TE UNI 5739 ZINC	SCREW	VIS	SCHRAUBE	TORNILLO
75	455192	4	VITE M12X60 TE UNI 5739 ZINC	SCREW	VIS	SCHRAUBE	TORNILLO
76	448320	1	VOLANTE C85 2018	STEERING WHEEL ASSEMBLY	VOLANT COMPLET	LENKRAD KOMPLETT	VOLANTE COMPLETO

CR-08/13 GRUPPO RUOTE E FRENO C120

BRAKE AND WHEELS ASSEMBLY
 ENSEMBLE FREIN ET ROUES
 BREMSANLAGE - HINTERRAEDER
 GRUPO FRENO Y RUEDAS



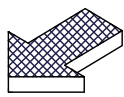
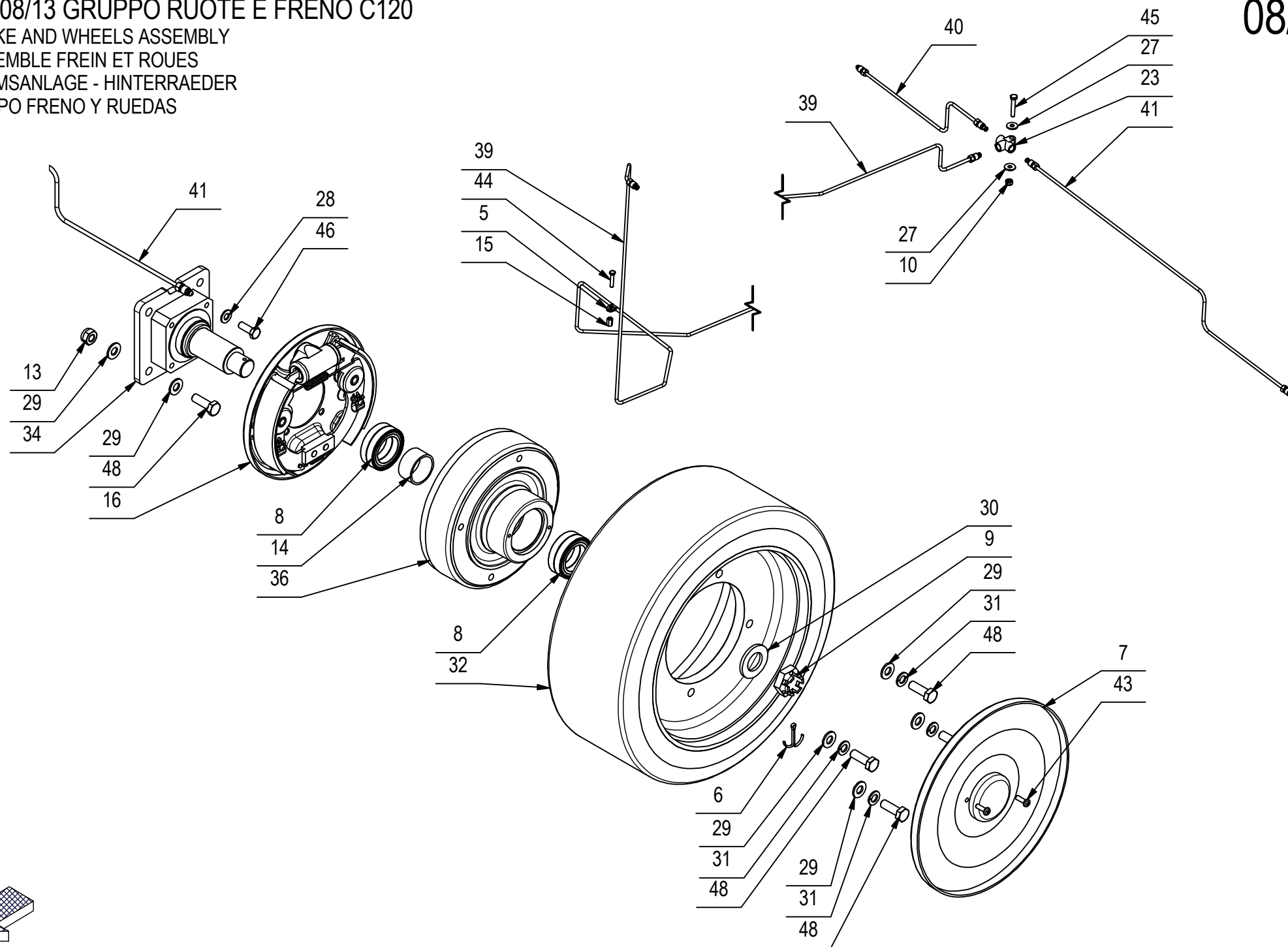
CR-08/13 GRUPPO RUOTE E FRENO C120

08/13

POS	CODICE	QTÀ	DESCRIZIONE	DESCRIPTION	DESIGNATION	BEZEICHNUNG	DESCRIPCÓN
1	410300	2	ANELLO STRINGITUBO 9-11 (STRIK)	CLAMP	COLLIER	BRIDE	ABRAZADERA
2	405955	1	BANDELLA GOMMA VASCHETTA OLIO	SUPPORT PLATE	PLAQUE SUPPORT	STÜTZPLATTE	PLACA SOPORTE
3	408019	2	BOCCOLA D=25-22,2 d=16 S=12 OT58	BUSHING	BAGUE	BUCHSE	CASQUILLO
4	410459	1	CLIPS PER FORCELLA M8 CORTA	PIN	AXE	BOLZEN	PERNO
5	438042	1	COLLARE ISOLATO FS8 RSGU1 D5	ISOLATED COLLAR	COLLAR	ISOLIERT BUNDRING	COLLAR AISLADO
6	409386	2	COPIGLIA D.4X50 UNI 1336 ZN	SPLIT PIN	GOUPILLE	SPLINT	PASADOR DE ALETAS
7	400488	2	COPRIMOZZO D=260,5 2 FORI ROSSO	HUB COVER	COUVERCLE DE MOYEU	NABENDECKEL	CUBRECUBO
8	449022	8	CUSCINETTO 6907 2RS 35x55x10	BEARING	ROULEMENT	LAGER	COJINETE
9	409113	2	DADO A INTAGLI M24X2X18 UNI 5594	NUT	ECROU	MUTTER	TUERCA
10	409082	1	DADO M6x6 AUTOBL UNI 7474 ZINC	LOCK NUT	ECROU AUTOFREINES	SICHERUNGSMUTTER	TUERCA AUTOBLOCANTE
11	409046	2	DADO M8x6,5 UNI 5588 ZINC	NUT	ECROU	MUTTER	TUERCA
12	409085	4	DADO M8x8.5 AUTOBL. UNI 7474 ZINC	LOCK NUT	ECROU AUTOFREINES	SICHERUNGSMUTTER	TUERCA AUTOBLOCANTE
13	409090	8	DADO M10x10 AUTOBL. UNI 7474 ZINC	LOCK NUT	ECROU AUTOFREINES	SICHERUNGSMUTTER	TUERCA AUTOBLOCANTE
14	449012	2	DISTANZIALE D=40 d=35 H=20,2 ZINC.	SPACER	ENTRETOISE	DISTANZHÜLSE	DISTANCIADOR
15	221170	1	DISTANZIALE D=CH8 d=M5 S=12 Fe360B	SPECIAL NUT	ECROU SPECIAL	SPEZIALMUTTER	TUERCA ESPECIAL
16	448593	2	GRUPPO FRENO A CEPPI D.180 DX/SX	BRAKE PRE-ASSEMBLY	ASSEMBLAGE DES FREINS	HINTERRAD-VORMONTAGE	PRE-MONTAJE DEL FRENO
17	410510	1	GUARNIZIONE IN RAME 12x18x1,5	GASKET	JOINT	DICHTUNG	JUNTA
18	202476	1	MOLLA TRAZ. 15X2X84	SPRING	RESSORT	FEDER	RESORTE
19	455194	1	PEDALE COMANDO FRENO C120	BRAKE PEDAL	PEDALE DE FREIN	BREMSPEDAL	PEDAL MANDO FRENO
20	443156	1	PEDANA PEDALE ELEN COD. AA040018	PEDAL	PEDALE	PEDAL	PEDAL
21	448608	1	POMPA OLIO FRENO 17005-2K MODIFICATA	BRAKE OIL PUMP	POMPE À HUILE DE FREIN	BREMSÖLPUMPE	BOMBA DE FRENO
22	409861	1	PUNTALINO GOMMA PER VITE M8	CAP	BUTEE	AUFLAGESTIFT	CAPUCHO
23	410508	1	RACCORDO A 3 VIE	FITTING	RACCORD	VERSCHRAUBUNG	RACOR
24	448441	1	RACCORDO FORATO M10x1,25	FITTING	RACCORD	VERSCHRAUBUNG	RACOR
25	448627	1	RACCORDO M10x1,25 FORO D.12 cod.11070	FITTING	RACCORD	VERSCHRAUBUNG	RACORD
26	426755	1	RONDELLA IN RAME 10X16X1.5	WASHER	RONDELLE	UNTERLAGSCHEIBE	ARANDELA
27	409160	2	ROSETTA 6x18x1,5 UNI 6593 ZINC	WASHER	RONDELLE	UNTERLAGSCHEIBE	ARANDELA
28	409175	12	ROSETTA 8x17x1,6 UNI 6592 ZINC.	WASHER	RONDELLE	UNTERLAGSCHEIBE	ARANDELA
29	409191	24	ROSETTA 10X21X2 UNI 6592 ZINC	WASHER	RONDELLE	UNTERLAGSCHEIBE	ARANDELA
30	409231	2	ROSETTA 25X44 ZINC UNI 6592	WASHER	RONDELLE	SCHEIBE	ARANDELA
31	409196	8	ROSETTA GROWER 10x18x2,2 ZINC	LOCK WASHER	RONDELLE FREIN	ZAHNSCHEIBE	ARANDELLA DENTADA
32	430792	2	RUOTA D=370 L=140 - ANTISKID ROSSA	ANTISKID WHEEL	ROUE ANTISKID	ANTISKIDRAD	RUEDA DE ANTISKID
33	408350	2	SEEGER E 16 X1 DIN 471	SEEGER RING	SERRE CLIPS	SEEGERRING	ANILLO SEEGER
34	448610	2	SEMIASSE RUOTE C85 2018	AXLE SHAFT	DEMI-ESSIEU	ACHSWELLE	SEMIEJE
35	410502	1	SERBATOIO LIQUIDO FRENI	OIL TANK BRAKES	RESERVOIR D'HUILE FREINS	ÖLTANK BREMSSEN	TANQUE DE ACEITE FRENOS

CR-08/13 GRUPPO RUOTE E FRENO C120

BRAKE AND WHEELS ASSEMBLY
ENSEMBLE FREIN ET ROUES
BREMSANLAGE - HINTERRAEDER
GRUPO FRENO Y RUEDAS



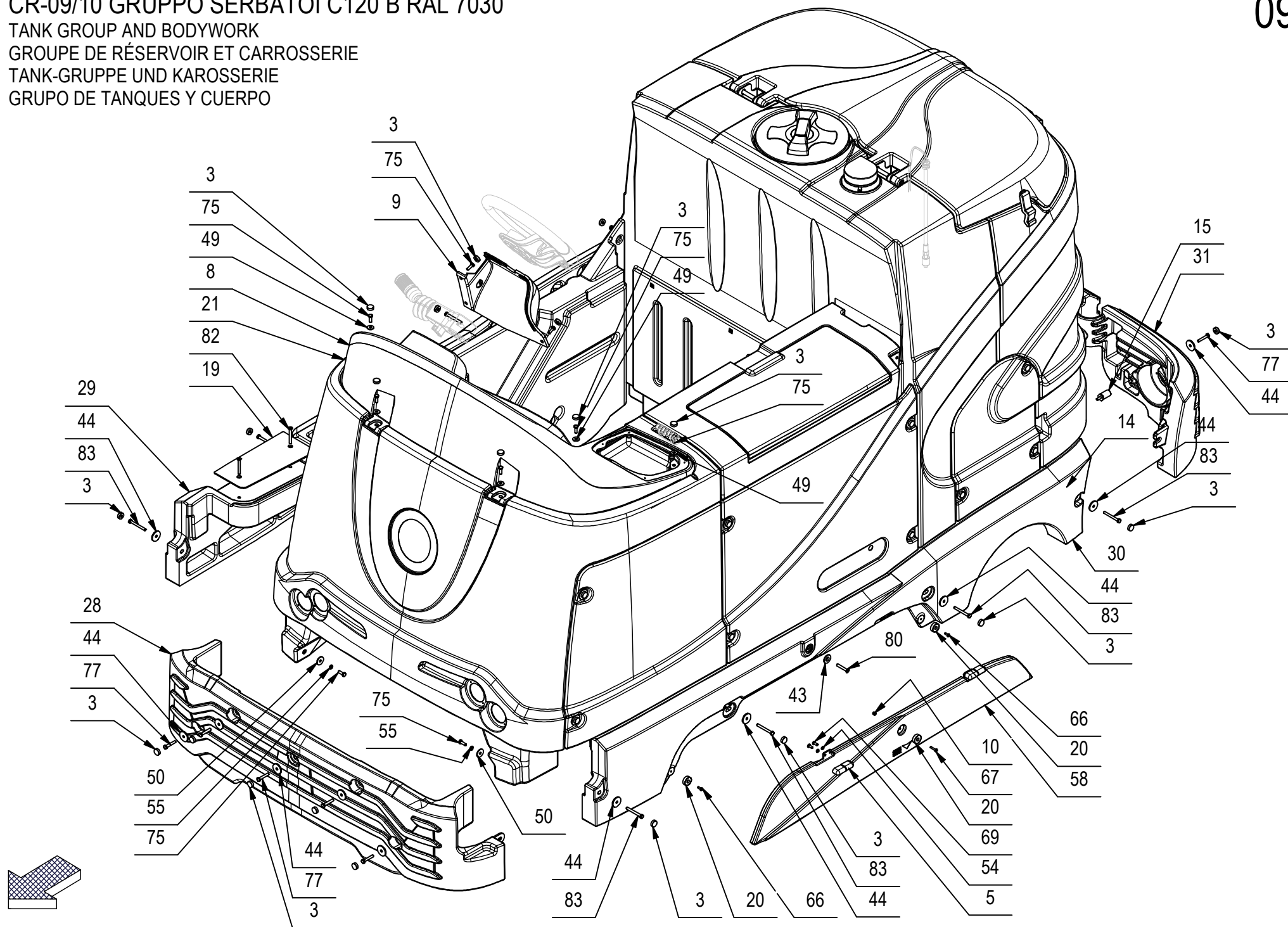
CR-08/13 GRUPPO RUOTE E FRENO C120

08/13

POS	CODICE	QTÀ	DESCRIZIONE	DESCRIPTION	DESIGNATION	BEZEICHNUNG	DESCRPCIÓN
36	229419	2	TAMBURO CUSC.PER RUOTA D=370 LAVORATO	WHEEL HUB	MOYEU ROUE	RADNABE	CUBO DE RUEDA
37	410503	1	TAPPO ELETTRICO SERBATOIO OLIO FRENI	LEVEL PLUG	BOUCHON DE NIVEAU	STANDSCHRAUBE	TAPON NIVEL
38	231396	1	TUBO D.5X9 L=210 OLIO FRENI (POMPA-SERB)	PIPE	TUBE	ROHR	TUBO
39	455195	1	TUBO OLIO FRENO POMPA DISTRIBUZIONE C120	OIL DELIVERY PIPE	PIPE OIL DELIVERY	ÖLZUFUHRLEITUNG	ACEITE TUBO
40	455197	1	TUBO OLIO FRENO PORTACEPPI DX C120	BRAKE OIL TUBE	TUBE D'HUILE DE FREIN	BREMSÖLROHR	TUBO DE ACEITE DE FRENO
41	455196	1	TUBO OLIO FRENO PORTACEPPI SX C120	BRAKE OIL TUBE	TUBE D'HUILE DE FREIN	BREMSÖLROHR	TUBO DE ACEITE DE FRENO
42	408846	1	VITE M4X16 TCTC UNI 7687 ZINC	SCREW	VIS	SCHRAUBE	TORNILLO
43	408854	4	VITE M5X16 TCTC UNI EN ISO 704	SCREW	VIS	SCHRAUBE	TORNILLO
44	407651	1	VITE M5X25 TE UNI 5739 DIN 933 (8.8)ZINC	SCREW	VIS	SCHRAUBE	TORNILLO
45	408651	1	VITE M6x35 TE UNI 5739 ZINC	SCREW	VIS	SCHRAUBE	TORNILLO
46	408672	9	VITE M8X22 TE UNI 5739 ZINC.	SCREW	VIS	SCHRAUBE	TORNILLO
47	408676	4	VITE M8x30 TE UNI 5739 ZINC	SCREW	VIS	SCHRAUBE	TORNILLO
48	408712	16	VITE M10X30 TE UNI 5739 ZINC	SCREW	VIS	SCHRAUBE	TORNILLO

CR-09/10 GRUPPO SERBATOI C120 B RAL 7030

TANK GROUP AND BODYWORK
 GROUPE DE RÉSERVOIR ET CARROSSERIE
 TANK-GRUPPE UND KAROSSERIE
 GRUPO DE TANQUES Y CUERPO



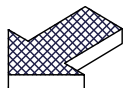
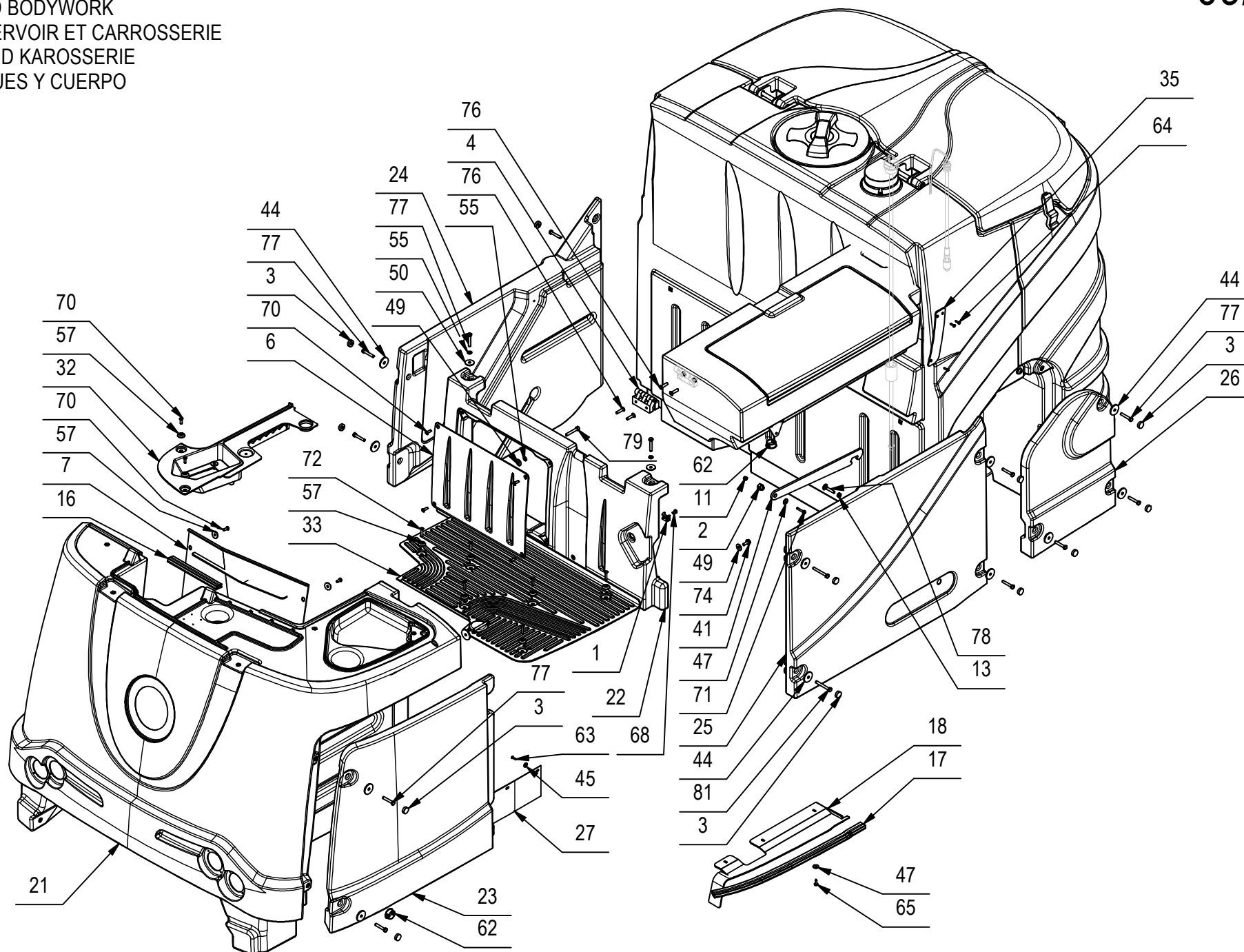
CR-09/10 GRUPPO SERBATOI C120 B RAL 7030

09/10

POS	CODICE	QTÀ	DESCRIZIONE	DESCRIPTION	DESIGNATION	BEZEICHNUNG	DESCRPCIÓN
1	409819	1	BASSETTA TC 142 PER FASCETTE	SUPPORT PLATE	PLAQUE SUPPORT	STÜTZPLATTE	PLACA SOPORTE
2	408024	1	BOCCOLA PUNTELLO COFANO	BUSHING	BAGUE	BUCHSE	CASQUILLO
3	442247	38	CAPPUCCIO COPRI VITE CCA-R 5-6 NERO	COVER	COUVERCLE	DECKEL	TAPA
4	416320	1	CERNIERA GAMM MODELLO C65/A	HINGE	CHARNIERE	SCHARNIER	BISAGRA
5	455335	2	CERNIERA IN LINEA ELESA MOD. CFN-B	HINGE	CHARNIERE	SCHARNIER	BISAGRA
6	455011	1	COPERCHIO GRUPPO POMPE C120	COVER	COUVERCLE	DECKEL	TAPA
7	455323	1	COPERTURA INTERNA MUSETTO C120	COVER	CARTER	ABDECKUNG	CARTER
8	455008	1	CRUSCOTTO C120	INSTUMENT BOARD	TABLEAU DE BORD	ARMATURENBRETT	TABLERO DE INSTRUMENTOS
9	455009	1	CRUSCOTTO INFERIORE C120	INSTUMENT BOARD	TABLEAU DE BORD	ARMATURENBRETT	TABLERO DE INSTRUMENTOS
10	409078	1	DADO M4x6 AUTOBL. UNI 7473 ZINC	LOCK NUT	ECROU AUTOFREINES	SICHERUNGSMUTTER	TUERCA AUTOBLOCANTE
11	409080	1	DADO M5x7 AUTOBL. UNI 7473 ZINC	LOCK NUT	ECROU AUTOFREINES	SICHERUNGSMUTTER	TUERCA AUTOBLOCANTE
12	415901	3	DADO M6 AUTOBL. UNI 7474 INOX	NUT	ECROU	MUTTER	TUERCA
13	409043	1	DADO M6x5 UNI 5588 A2	NUT	ECROU	MUTTER	TUERCA
14	448999	2	DISTANZIALE H=22 C85 2018	SPACER	ENTRETOISE	DISTANZHÜLSE	DISTANCIADOR
15	449000	2	DISTANZIALE H=32 C85 2018	SPACER	ENTRETOISE	DISTANZHÜLSE	DISTANCIADOR
16	232536	1	GUARNIZ. ASSOTECH A055_S9757 L =190	GASKET	JOINT	DICHTUNG	JUNTA
17	225174	1	GUARNIZIONE ASSOTECH A055_S9757 L = 530	GASKET	JOINT	DICHTUNG	JUNTA
18	457495	1	LAMIERA PROTEZIONE IMP ELET. C120	PLAQUE	PLAQUETTE	BEFESTIGUNGSAUFLAGE	PLAQUETA
19	455293	1	LAMIERA STRIATA ANTISCIVOLO C120	PLATE	TOLE	PLATTE	CHAPA
20	427113	3	MAGNETE Ø25 x Ø5 x 8 - 17 kg (SM09.2585)	MAGNET	AIMANT	MAGNET	IMAN
21	454994	1	MUSETTO C120 RAL 7030	NOSE	FRONTAL	STIRNBRETT	FRONTAL
22	454988	1	PANNELLO ANTERIORE C120 RAL 7030	PANEL	PANNEAU	BLECH	PANEL
23	454993	1	PANNELLO IMPIANTO ELETTRICO C120 RAL7030	PANEL	PANNEAU	BLECH	PANEL
24	454987	1	PANNELLO LATERALE DX C120 RAL 7030	PANEL	PANNEAU	BLECH	PANEL
25	454992	1	PANNELLO LATERALE SX C120 RAL 7030	PANEL	PANNEAU	BLECH	PANEL
26	454989	1	PANNELLO VANO ASPIRAZIONE C120 RAL 7030	PANEL	PANNEAU	BLECH	PANEL
27	457496	1	PARASPRUZZI VANO IMP. ELETT. C120	SPLASH GUARD	BAVETTE DE PROTECTION	SPRITZGUMMI	PARASALPICADURAS
28	455004	1	PARAURTI ANTERIORE C120 RAL 9005	FRONT BUMPER	PARE-CHOC AVANT	FRONTSTOßSTANGE	PARAGOLPES DELANTERO
29	455006	1	PARAURTI LATERALE DX C120 RAL 9005	RIGHT LATERAL BUMPER	PARE-CHOC LATERAL DROIT	RECHTS LATERAL BUMPER	PARACHOQUES LATERAL DERECHO
30	455005	1	PARAURTI LATERALE SX C120 RAL 9005 - V2	LEFT SIDE BUMPER	PARE-CHOCS GAUCHE	LINKE SEITENSTOSSSTANGE	PARACHOQUES LADO IZQUIERDO
31	455007	1	PARAURTI POSTERIORE C120 RAL 9005	REAR BUMPER	PARE-CHOC ARRIÈRE	HINTERER STOSSSTANGE	PARACHOQUES TRASERO

CR-09/10 GRUPPO SERBATOI C120 B RAL 7030

TANK GROUP AND BODYWORK
 GROUPE DE RÉSERVOIR ET CARROSSERIE
 TANK-GRUPPE UND KAROSSERIE
 GRUPO DE TANQUES Y CUERPO



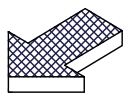
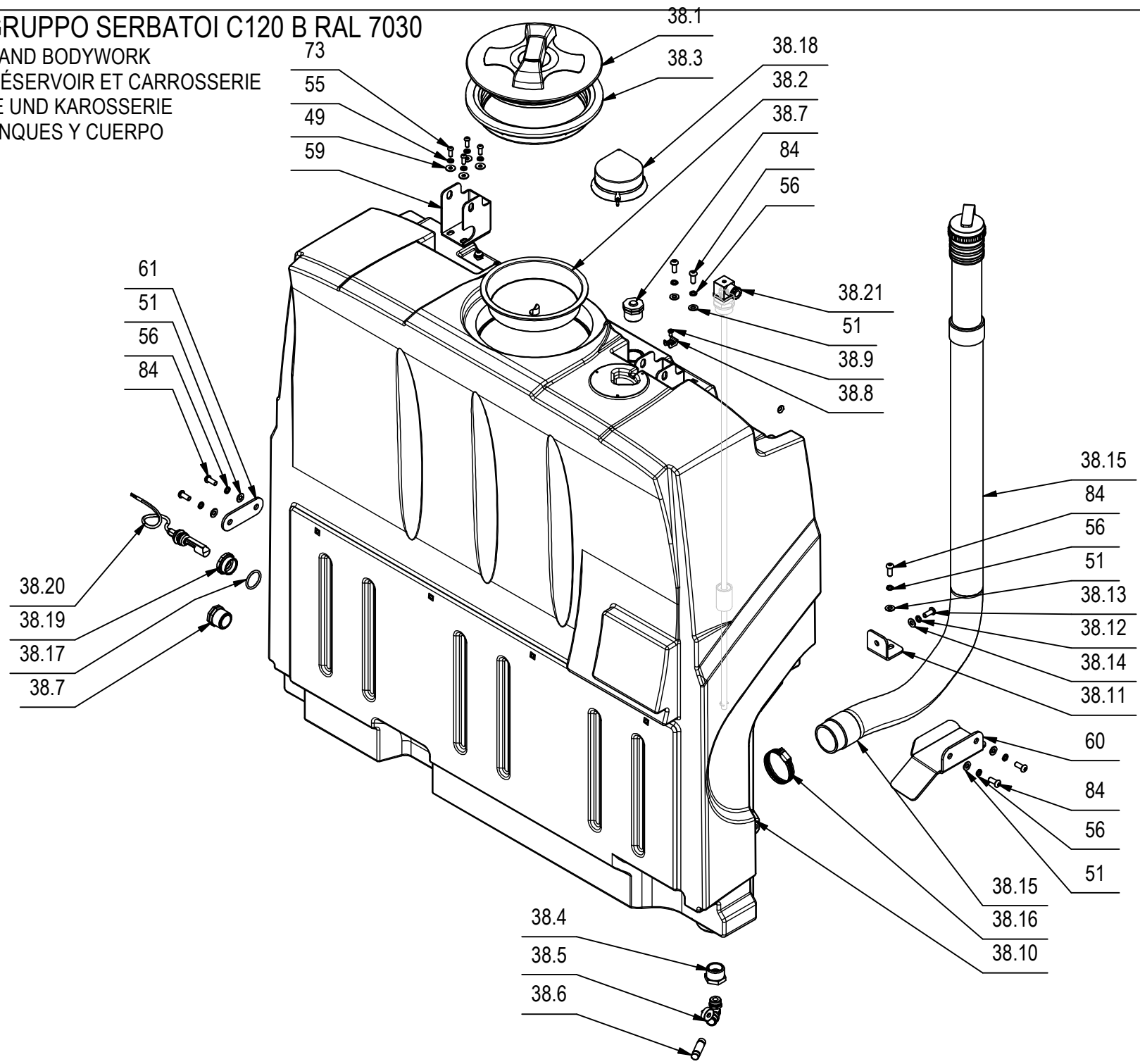
CR-09/10 GRUPPO SERBATOI C120 B RAL 7030

09/10

POS	CODICE	QTÀ	DESCRIZIONE	DESCRIPTION	DESIGNATION	BEZEICHNUNG	DESCRPCIÓN
32	455013	1	PEDANA POGGIAPIEDI ACCELERATORE C120	BOTTOM PLATE	REPOSE PIED	BODENBLECH	PLATAFORMA
33	455012	1	PEDANA POGGIAPIEDI PRINCIPALE C120	BOTTOM PLATE	REPOSE PIED	BODENBLECH	PLATAFORMA
34	427524	3	PERNO PUNTELLO ASP. TRIPLA 30-34	PIN	AXE	BOLZEN	PERNO
35	449738	1	PIASTRINA GUIDA VANO PORTAOGGETTI C85	PLAQUE	PLAQUETTE	BEFESTIGUNGSAUFLAGE	PLAQUETA
36	231420	1	PREM. COPERCHIO ASPIRAZ. C120 RAL 7030	COVER	COUVERCLE	DECKEL	TAPA
36.1	442201	1	FILTRO ARIA POLIESTERE 240X140X57,5 C130	AIR FILTER	FILTRE A' AIR	LUFTFILTER	FILTRO DE AIRE
36.2	442202	1	SUPPORTO FILTRO ARIA C130 2015	AIR FILTER HOUSING	SUPPORT DE FILTRE	LUFTFILTER - RAHMEN	SOPORTE DE FILTRO
36.3	410231	4	GALLETTO M6x13	WING NUT	PAPILLON	FLÜGELSCHRAUBE	POMO
36.4	408908	4	GRANO M6X30 EI INOX UNI 5929	DOWEL	VIS CYLINDRIQUE	MADENSCHRAUBE	TORNILLO
36.5	442200	1	SUPPORTO TUBI ASPIRAZIONE C130 2015	SUPPORT	SUPPORT	HALTERUNG	SOPORTE FIJADOR
36.6	409160	7	ROSETTA 6x18x1,5 UNI 6593 ZINC	WASHER	RONDELLE	UNTERLAGSCHEIBE	ARANDELA
36.7	409164	7	ROSETTA GROWER 6x2,5x1,8 ASA B27 ZINC	LOCK WASHER	RONDELLE FREIN	ZAHNSCHEIBE	ARANDELLA DENTADA
36.8	415856	7	VITE M6X16 TBEI ISO 7380	SCREW	VIS	SCHRAUBE	TORNILLO
36.9	442252	1	GUARNIZIONE MOUSSE SP.3 ADESIVA C130	GASKET	JOINT	DICHTUNG	JUNTA
36.10	216960	1	STAFFA PUNTELLO ASP. T30-34	SUPPORT	SUPPORT	HALTERUNG	SOPORTE
36.11	409149	2	ROSETTA 5x10x1 UNI 6592 A2	WASHER	RONDELLE	UNTERLEGSCHHEIBE	ARANDELA
36.12	409155	2	ROSETTA M5 UNI 1751 INOX GROWER	WASHER	RONDELLE	UNTERLAGSCHEIBE	ARANDELA
36.13	407646	2	VITE M5x16 TE UNI 5739 A2	SCREW	VIS	SCHRAUBE	TORNILLO
36.14	442204	2	PERNO COFANO ASP. C130 2015	PIN	AXE	BOLZEN	PERNO
36.15	454984	1	COPERCHIO SUPERIORE C120 RAL 7030	COVER	COUVERCLE	DECKEL	TAPA
36.16	231419	1	GUARNIZIONE CALOTTA ASP C120 L=2100	GASKET	JOINT	DICHTUNG	JUNTA
37	231423	1	PREM. SERB. RECUPERO C120 RAL 7030	RECOVERY TANK ASSEMBLY	GROUPE DE RESERVOIR EAU SALE	GRUPPE SCHMUTZWSSERTANK	GRUPO TANQUE AGUA SUCIA
37.1	445698	1	VASCA FILTRO SERB. RECUPERO MAGNA 2017	FILTER TANK CLEANER	BATH FILTER	BAD FILTER	CESTA FILTER
37.2	445699	1	CARTER CONVOGLIATORE RECUPERO	COVER	CARTER	ABDECKUNG	CARTER
37.3	408879	16	VITE D.4,2x13 AUTOF. UNI 6954 A2	SCREW	VIS	SCHRAUBE	TORNILLO
37.4	416187	4	CHIUSURA A LEVA MOD. C7-10	HINGE	CHARNIERE	SCHARNIER	BISAGRA
37.5	414747	6	MOLLA FISSA TUBO D=50 ABS	SPRING	RESSORT	FEDER	RESORTE
37.6	400250	6	ROSETTA SOTTOVITE D=5X20	WASHER	RONDELLE	UNTERLAGSCHEIBE	ARANDELA
37.7	438302	6	VITE M5x16 TSPTC UNI 7688 ZINC. NERO	SCREW	VIS	SCHRAUBE	TORNILLO
37.8	429671	1	RACCORDO SCARICO ACQUA SERB.REC.	ELBOW	COUDE	WINKELVERSCHRAUBUNG	RACOR CODO
37.9	218481	1	COPERCHIO D=113 LAVORATO	RING NUT	EMBOUT	NUTMUTTER	TUERCA ANULAR
37.10	431601	1	GUARNIZIONE MG	GASKET	JOINT	DICHTUNG	JUNTA
37.11	448793	1	TUBO D.50X1650 ASPIR. CON MANICOTTI	SUCTION HOSE	FLEXIBLE ASPIRATION	SAUGSCHLAUCH	TUBO DE ASPIRACION
37.12	416173	1	FASCETTA A VITE 40-64	CLAMP	COLLIER	BRIDE	ABRAZADERA

CR-09/10 GRUPPO SERBATOI C120 B RAL 7030

TANK GROUP AND BODYWORK
 GROUPE DE RÉSERVOIR ET CARROSSERIE
 TANK-GRUPPE UND KAROSSERIE
 GRUPO DE TANQUES Y CUERPO



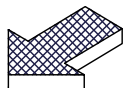
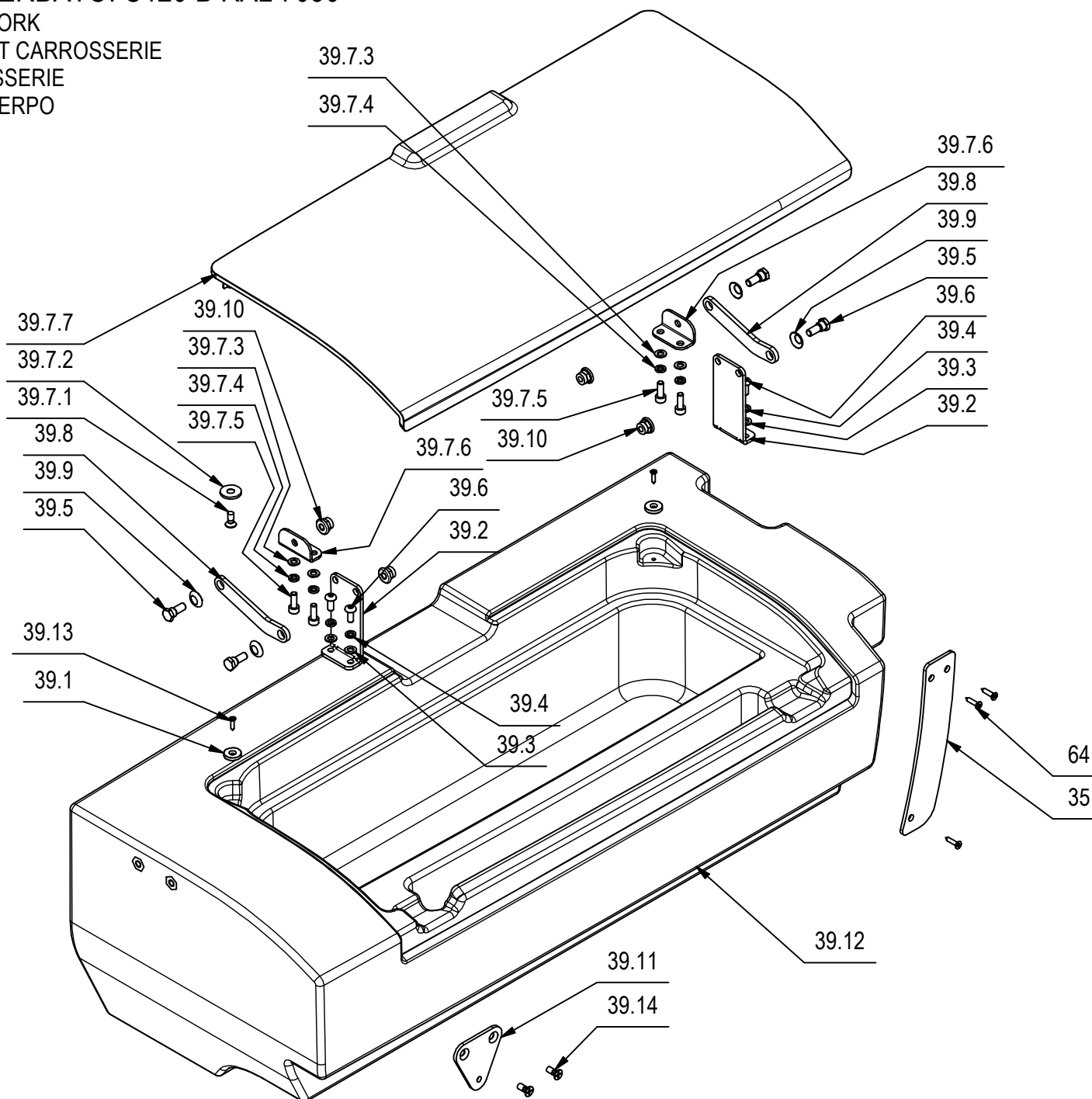
CR-09/10 GRUPPO SERBATOI C120 B RAL 7030

09/10

POS	CODICE	QTÀ	DESCRIZIONE	DESCRIPTION	DESIGNATION	BEZEICHNUNG	DESCRPCIÓN
32	455013	1	PEDANA POGGIAPIEDI ACCELERATORE C120	BOTTOM PLATE	REPOSE PIED	BODENBLECH	PLATAFORMA
33	455012	1	PEDANA POGGIAPIEDI PRINCIPALE C120	BOTTOM PLATE	REPOSE PIED	BODENBLECH	PLATAFORMA
34	427524	3	PERNO PUNTELLO ASP. TRIPLA 30-34	PIN	AXE	BOLZEN	PERNO
35	449738	1	PIASTRINA GUIDA VANO PORTAOGGETTI C85	PLAQUE	PLAQUETTE	BEFESTIGUNGSAUFLAGE	PLAQUETA
36	231420	1	PREM. COPERCHIO ASPIRAZ. C120 RAL 7030	COVER	COUVERCLE	DECKEL	TAPA
36.1	442201	1	FILTRO ARIA POLIESTERE 240X140X57,5 C130	AIR FILTER	FILTRE A' AIR	LUFTFILTER	FILTRO DE AIRE
36.2	442202	1	SUPPORTO FILTRO ARIA C130 2015	AIR FILTER HOUSING	SUPPORT DE FILTRE	LUFTFILTER - RAHMEN	SOPORTE DE FILTRO
36.3	410231	4	GALLETTO M6x13	WING NUT	PAPILLON	FLÜGELSCHRAUBE	POMO
36.4	408908	4	GRANO M6X30 EI INOX UNI 5929	DOWEL	VIS CYLINDRIQUE	MADENSCHRAUBE	TORNILLO
36.5	442200	1	SUPPORTO TUBI ASPIRAZIONE C130 2015	SUPPORT	SUPPORT	HALTERUNG	SOPORTE FIJADOR
36.6	409160	7	ROSETTA 6x18x1,5 UNI 6593 ZINC	WASHER	RONDELLE	UNTERLAGSCHEIBE	ARANDELA
36.7	409164	7	ROSETTA GROWER 6x2,5x1,8 ASA B27 ZINC	LOCK WASHER	RONDELLE FREIN	ZAHNSCHEIBE	ARANDELLA DENTADA
36.8	415856	7	VITE M6X16 TBEI ISO 7380	SCREW	VIS	SCHRAUBE	TORNILLO
36.9	442252	1	GUARNIZIONE MOUSSE SP.3 ADESIVA C130	GASKET	JOINT	DICHTUNG	JUNTA
36.10	216960	1	STAFFA PUNTELLO ASP. T30-34	SUPPORT	SUPPORT	HALTERUNG	SOPORTE
36.11	409149	2	ROSETTA 5x10x1 UNI 6592 A2	WASHER	RONDELLE	UNTERLEGSCHHEIBE	ARANDELA
36.12	409155	2	ROSETTA M5 UNI 1751 INOX GROWER	WASHER	RONDELLE	UNTERLAGSCHEIBE	ARANDELA
36.13	407646	2	VITE M5x16 TE UNI 5739 A2	SCREW	VIS	SCHRAUBE	TORNILLO
36.14	442204	2	PERNO COFANO ASP. C130 2015	PIN	AXE	BOLZEN	PERNO
36.15	454984	1	COPERCHIO SUPERIORE C120 RAL 7030	COVER	COUVERCLE	DECKEL	TAPA
36.16	231419	1	GUARNIZIONE CALOTTA ASP C120 L=2100	GASKET	JOINT	DICHTUNG	JUNTA
37	231423	1	PREM. SERB. RECUPERO C120 RAL 7030	RECOVERY TANK ASSEMBLY	GROUPE DE RESERVOIR EAU SALE	GRUPPE SCHMUTZWSSERTANK	GRUPO TANQUE AGUA SUCIA
37.1	445698	1	VASCA FILTRO SERB. RECUPERO MAGNA 2017	FILTER TANK CLEANER	BATH FILTER	BAD FILTER	CESTA FILTER
37.2	445699	1	CARTER CONVOGLIATORE RECUPERO	COVER	CARTER	ABDECKUNG	CARTER
37.3	408879	16	VITE D.4,2x13 AUTOF. UNI 6954 A2	SCREW	VIS	SCHRAUBE	TORNILLO
37.4	416187	4	CHIUSURA A LEVA MOD. C7-10	HINGE	CHARNIERE	SCHARNIER	BISAGRA
37.5	414747	6	MOLLA FISSA TUBO D=50 ABS	SPRING	RESSORT	FEDER	RESORTE
37.6	400250	6	ROSETTA SOTTOVITE D=5X20	WASHER	RONDELLE	UNTERLAGSCHEIBE	ARANDELA
37.7	438302	6	VITE M5x16 TSPTC UNI 7688 ZINC. NERO	SCREW	VIS	SCHRAUBE	TORNILLO
37.8	429671	1	RACCORDO SCARICO ACQUA SERB.REC.	ELBOW	COUDE	WINKELVERSCHRAUBUNG	RACOR CODO
37.9	218481	1	COPERCHIO D=113 LAVORATO	RING NUT	EMBOUT	NUTMUTTER	TUERCA ANULAR
37.10	431601	1	GUARNIZIONE MG	GASKET	JOINT	DICHTUNG	JUNTA
37.11	448793	1	TUBO D.50X1650 ASPIR. CON MANICOTTI	SUCTION HOSE	FLEXIBLE ASPIRATION	SAUGSCHLAUCH	TUBO DE ASPIRACION
37.12	416173	1	FASCETTA A VITE 40-64	CLAMP	COLLIER	BRIDE	ABRAZADERA

CR-09/10 GRUPPO SERBATOI C120 B RAL 7030

TANK GROUP AND BODYWORK
 GROUPE DE RÉSERVOIR ET CARROSSERIE
 TANK-GRUPPE UND KAROSSERIE
 GRUPO DE TANQUES Y CUERPO



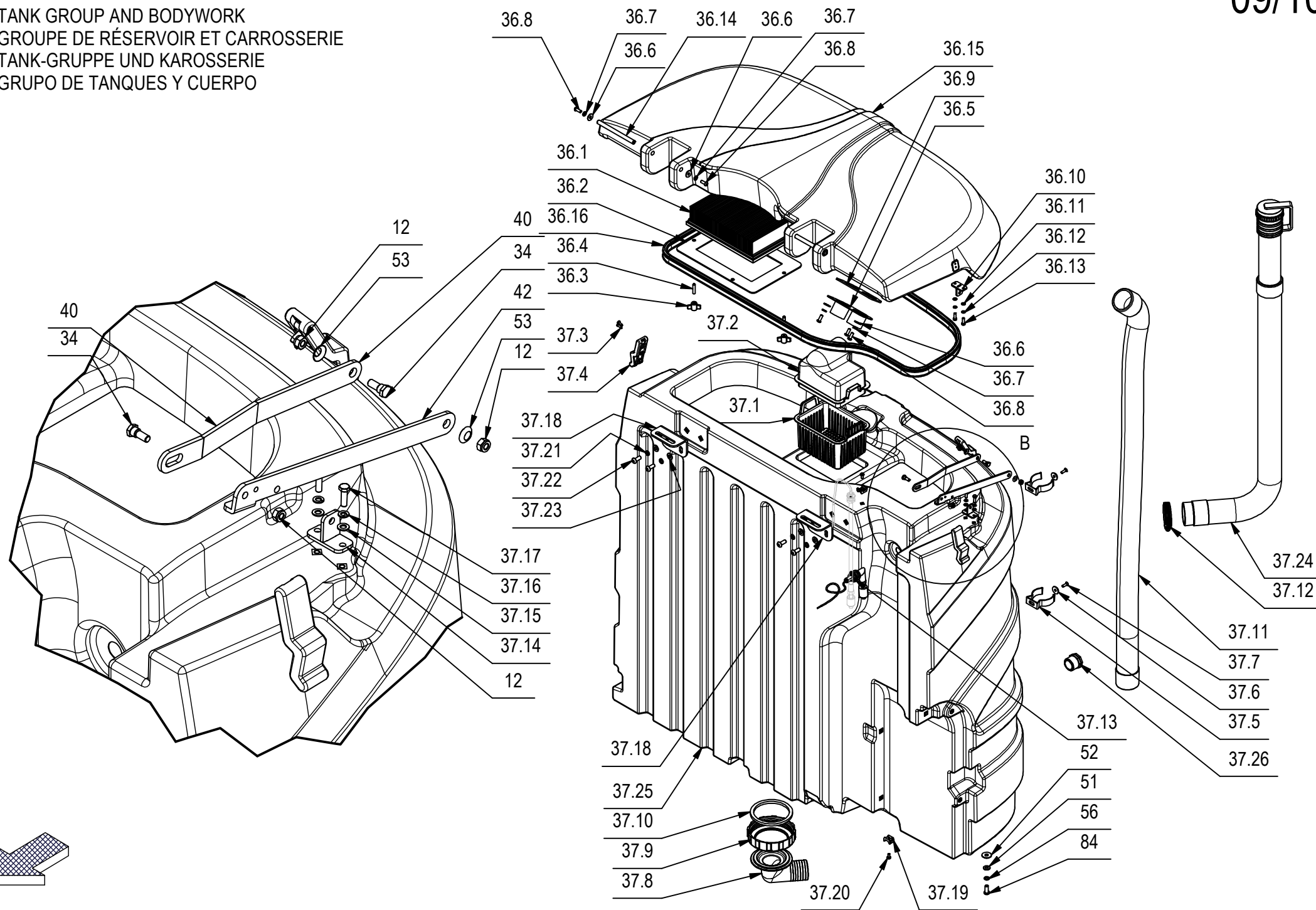
CR-09/10 GRUPPO SERBATOI C120 B RAL 7030

09/10

POS	CODICE	QTÀ	DESCRIZIONE	DESCRIPTION	DESIGNATION	BEZEICHNUNG	DESCRIPCÓN
37.13	450146	1	INTER. GALLEG. GOMITO CON DADO+GUARNIZ.	FLOAT SWITCH	INTERRUPTEUR À FLOTTEUR	SCHWIMMERSCHALTER	INTERRUPTOR DE FLOTADOR
37.14	216960	1	STAFFA PUNTELLO ASP. T30-34	SUPPORT	SUPPORT	HALTERUNG	SOPORTE
37.15	409149	2	ROSETTA 5x10x1 UNI 6592 A2	WASHER	RONDELLE	UNTERLEGSCHIEBE	ARANDELA
37.16	409155	2	ROSETTA M5 UNI 1751 INOX GROWER	WASHER	RONDELLE	UNTERLAGSCHIEBE	ARANDELA
37.17	407646	2	VITE M5x16 TE UNI 5739 A2	SCREW	VIS	SCHRAUBE	TORNILLO
37.18	455299	2	STAFFA FISSAGGIO SERBATOI C120	SUPPORT	SUPPORT	HALTERUNG	SOPORTE
37.19	409819	4	BASETTA TC 142 PER FASCETTE	SUPPORT PLATE	PLAQUE SUPPORT	STÜTZPLATTE	PLACA SOPORTE
37.20	418311	4	VITE M5x10 TCTC UNI 7687 (4.8) ZINC.	SCREW	VIS	SCHRAUBE	TORNILLO
37.21	409187	4	ROSETTA GROWER 8x13x2,2 A2	WASHER	RONDELLE	UNTERLAGSCHIEBE	ARANDELA
37.22	425828	4	VITE M8x20 TBEI ISO 7380 A2	SCREW	VIS	SCHRAUBE	TORNILLO
37.23	409177	4	ROSETTA 8x17x1.6 UNI 6592 A2	WASHER	RONDELLE	SCHIEBE	ARANDELA
37.24	442108	1	TUBO D.50X1120 SPIRALATO TAPPO INTEGRATO	EXHAUST PIPE	FLEXIBLE DE VIDANGE	ABWASSERSCHLAUCH	TUBO DE DESCARGA
37.25	454978	1	SERBATOIO RECUPERO C120 RAL 7030	RECOVERY TANK	RESERVOIR EAU SALE	SCHMUTZWASSERTANK	TANQUE AGUA SUCIA
37.26	443274	1	TAPPO MASCHIO G1" 215040 ARAG	CAP	CAPUCHON	KAPPE	TAPON
38	231421	1	PREM. SERB. SOLUZIONE C120 RAL 7030	SOLUTION TANK ASSEMBLY	GROUPE DE RESERVOIR EAU PROPRE	GRUPPE LAUGENTANK	GRUPO TANQUE SOLUCION
38.1	400704	1	COPERCHIO FILETTATO D=255 CON SFIATO	COVER	COUVERCLE	DECKEL	TAPA
38.2	405387	1	FILTRO A TAZZA D=204	FILTER	FILTRE	FILTER	FILTRO
38.3	400494	1	ANELLO FILETTATO CON GUARNIZIONE D=255	RING	ANNEAU	RING	ANILLO
38.4	443958	1	RIDUZIONE INOX AISI 316 1"M - 1/2"F	NIPPLE	RACCORD	NIPPEL	BOQUILLA ROSCADA
38.5	445001	1	RACCORDO A GOMITO CAMOZZI S6520 14-1/2	ELBOW	COUDE	WINKELVERSCHRAUBUNG	RACOR CODO
38.6	445002	1	RACCORDO A TUBO CAMOZZI 6950 14	FITTING	RACCORD	VERSCHRAUBUNG	RACOR
38.7	443274	3	TAPPO MASCHIO G1" 215040 ARAG	CAP	CAPUCHON	KAPPE	TAPON
38.8	409819	1	BASETTA TC 142 PER FASCETTE	SUPPORT PLATE	PLAQUE SUPPORT	STÜTZPLATTE	PLACA SOPORTE
38.9	418311	1	VITE M5x10 TCTC UNI 7687 (4.8) ZINC.	SCREW	VIS	SCHRAUBE	TORNILLO
38.10	454983	1	SERBATOIO SOLUZIONE C120 RAL7030	SOLUTION TANK	RESERVOIR EAU PROPRE	LAUGENTANK	TANQUE SOLUCION
38.11	455298	2	STAFFA FISSAGGIO SERBATOIO SOLUZ. C120	SUPPORT	ATTAQUE	HALTERUNG	SOPORTE
38.12	409187	2	ROSETTA GROWER 8x13x2,2 A2	WASHER	RONDELLE	UNTERLAGSCHIEBE	ARANDELA
38.13	425828	2	VITE M8x20 TBEI ISO 7380 A2	SCREW	VIS	SCHRAUBE	TORNILLO
38.14	409177	2	ROSETTA 8x17x1.6 UNI 6592 A2	WASHER	RONDELLE	SCHIEBE	ARANDELA
38.15	455300	1	TUBO D.50x1480 SPIRALATO TAPPO INTEGRATO	EXHAUST PIPE	FLEXIBLE DE VIDANGE	ABWASSERSCHLAUCH	TUBO DE DESCARGA
38.16	416173	1	FASCETTA A VITE 40-64	CLAMP	COLLIER	BRIDE	ABRAZADERA
38.17	408497	1	GUARNIZIONE OR 4125 (138) D.31,34x3,53	O-RING	JOINT	O-RING	JUNTA ANULAR
38.18	225749	1	KIT LAMPEGGIANTE	FLASHING LIGHT KIT	CLIGNOTANTS	BLITZENDEN KIT	KIT INTERMITENTE

CR-09/10 GRUPPO SERBATOI C120 B RAL 7030

TANK GROUP AND BODYWORK
 GROUPE DE RÉSERVOIR ET CARROSSERIE
 TANK-GRUPPE UND KAROSSERIE
 GRUPO DE TANQUES Y CUERPO



CR-09/10 GRUPPO SERBATOI C120 B RAL 7030

09/10

POS	CODICE	QTÀ	DESCRIZIONE	DESCRIPTION	DESIGNATION	BEZEICHNUNG	DESCRPCIÓN
38.19	429630	1	TAPPO ESAG. X GALLEG. D=G1" d=16 OT58	THREADED CAP	CAPUCHON FILETE'	KAPPE	TAPON ROSCADO
38.20	226043	1	INTERRUT. A GALLEGGI. 250V AZZ. + FASTON	FLOAT	FLOTTEUR	SCHWIMMER	FLOTADOR
38.21	228174	1	KIT GALLEGGIANTE CONTINUO C85 2018	FLOATING KIT	KIT FLOTTANT	SCHWIMMENDE KIT	KIT FLOTADOR
39	231430	1	PREM. VANO PORTAOGGETTI C120 RAL 7030	TOOLBOX	ABATTANT	WERKZEUG	PUERTA HERRAMIENTAS
39.1	430184	2	MAGNETE D15 x d3 x 3 F=3 Kg	MAGNET	AIMANT	MAGNET	IMAN
39.2	449810	2	STAFFETTA VANO ACCESSORI C85 2018	SUPPORT	ATTAQUE	HALTERUNG	SOPORTE FIJADOR
39.3	409150	4	ROSETTA 5X11X1 UNI 6592 ZINC	WASHER	RONDELLE	UNTERLAGSCHEIBE	ARANDELA
39.4	409154	4	ROSETTA GROWER 5x1,6 ZINC	WASHER	RONDELLE	UNTERLAGSCHEIBE	ARANDELA
39.5	427524	4	PERNO PUNTELLO ASP. TRIPLA 30-34	PIN	AXE	BOLZEN	PERNO
39.6	425203	4	VITE M5x12 TBEI UNI 7380 ZINC	SCREW	VIS	SCHRAUBE	TORNILLO
39.7	228844	1	PREM. COPERCHIO C100 2018 RAL 9005	COVER ASSEMBLY	PRÉ-MONTAGE COUVERCLE	MONTAGEDECKEL	MONTAJE CUBIERTA
39.7.1	415750	2	VITE M5X12 TSPTC UNI 7688 (4.8) ZINC.	SCREW	VIS	SCHRAUBE	TORNILLO
39.7.2	204947	2	RONDELLA 6x18x2 SVASATA	WASHER	RONDELLE	UNTERLAGSCHEIBE	ARANDELA
39.7.3	409150	4	ROSETTA 5X11X1 UNI 6592 ZINC	WASHER	RONDELLE	UNTERLAGSCHEIBE	ARANDELA
39.7.4	409154	4	ROSETTA GROWER 5x1,6 ZINC	WASHER	RONDELLE	UNTERLAGSCHEIBE	ARANDELA
39.7.5	408795	4	VITE M5X14 TCEI UNI 5931 DIN 912 8.8 ZN	SCREW	VIS	SCHRAUBE	TORNILLO
39.7.6	448678	2	STAFFETTA VANO ACCESSORI C85 2018	SUPPORT	ATTAQUE	HALTERUNG	SOPORTE FIJADOR
39.7.7	449808	1	COPERCHIO PORTAOGGETTI C100 2018 RAL9005	COVER	COUVERCLE	DECKEL	TAPA
39.8	449847	2	BRACCIO SUP. VANO ACCESS. C100 2018	ARM	BRAS	ARM	BRAZO
39.9	409174	4	ROSETTA ELASTICA UNI8840 A8	LOCK WASHER	RONDELLE FREIN	ZAHNSCHEIBE	ARANDELLA DENTADA
39.10	409084	4	DADO M6x9 AUTOBL. FLANG. UNI 6926 A2	LOCK NUT	ECROU AUTOFREINES	SICHERUNGSMUTTER	TUERCA AUTOBLOCANTE
39.11	455320	1	PIASTRINA VANO PORTAOGGETTI C120	PLAQUE	PLAQUETTE	BEFESTIGUNGSAUFLAGE	PLAQUETA
39.12	454991	1	VANO PORTAOGGETTI C120 RAL 7030	GLOVE COMPARTMENT	BOITE A GANTS	HANDSCHUHFACH	GUANTERA
39.13	435442	2	VITE D.2,9x13 TPSTC DIN 7982 INOX	SCREW	VIS	SCHRAUBE	TORNILLO
39.14	415750	2	VITE M5X12 TSPTC UNI 7688 (4.8) ZINC.	SCREW	VIS	SCHRAUBE	TORNILLO
40	442096	1	PUNTELLO COFANO ASPIRAZIONE C130	PROP FOR COVER	LEVIER DE COUVERCLE	STÜTZE FÜR ABDECKUNG	PUNTAL CAPOTE
41	444690	1	PUNTELLO COFANO MOTORE C130 D-BIFUEL	PROP FOR COVER	LEVIER DE COUVERCLE	STÜTZE FÜR ABDECKUNG	PUNTAL CAPOTE
42	442095	1	PUNTELLO INFERIORE SERB. RECUPERO C130	PROP	LEVIER	ABSTÜTZUNG	PUNTAL
43	215878	1	RONDELLA 6,5x25x4 SVASATA	WASHER	RONDELLE	UNTERLAGSCHEIBE	ARANDELA
44	444311	31	RONDELLA D=30 d=6,5 S=3 S235JR NERA	WASHER	RONDELLE	UNTERLAGSCHEIBE	ARANDELA
45	409144	5	ROSETTA 4,3x12x1,5 UNI 6593 ZINC	WASHER	RONDELLE	UNTERLAGSCHEIBE	ARANDELA
46	409142	1	ROSETTA 4x9x0,8 UNI 6592 ZINC	WASHER	RONDELLE	UNTERLAGSCHEIBE	ARANDELA
47	409151	4	ROSETTA 5,5x15x1.5 UNI 6593 ZINC	WASHER	RONDELLE	UNTERLAGSCHEIBE	ARANDELA
48	409150	4	ROSETTA 5X11X1 UNI 6592 ZINC	WASHER	RONDELLE	UNTERLAGSCHEIBE	ARANDELA
49	409160	15	ROSETTA 6x18x1,5 UNI 6593 ZINC	WASHER	RONDELLE	UNTERLAGSCHEIBE	ARANDELA

CR-09/10 GRUPPO SERBATOI C120 B RAL 7030

09/10

POS	CODICE	QTÀ	DESCRIZIONE	DESCRIPTION	DESIGNATION	BEZEICHNUNG	DESCRPCIÓN
50	416782	4	ROSETTA 6x24x2 ZN UNI 6593	WASHER	RONDELLE	UNTERLAGSCHEIBE	ARANDELA
51	409177	12	ROSETTA 8x17x1.6 UNI 6592 A2	WASHER	RONDELLE	SCHEIBE	ARANDELA
52	409179	2	ROSETTA 9x24x2,5 UNI 6593 ZINC	WASHER	RONDELLE	UNTERLAGSCHEIBE	ARANDELA
53	409174	3	ROSETTA ELASTICA UNI8840 A8	LOCK WASHER	RONDELLE FREIN	ZAHNSCHEIBE	ARANDELLA DENTADA
54	409154	8	ROSETTA GROWER 5x1,6 ZINC	WASHER	RONDELLE	UNTERLAGSCHEIBE	ARANDELA
55	409164	13	ROSETTA GROWER 6x2,5x1,8 ASA B27 ZINC	LOCK WASHER	RONDELLE FREIN	ZAHNSCHEIBE	ARANDELLA DENTADA
56	409187	12	ROSETTA GROWER 8x13x2,2 A2	WASHER	RONDELLE	UNTERLAGSCHEIBE	ARANDELA
57	400250	13	ROSETTA SOTTOVITE D=5X20	SPECIAL WASHER	RONDELLE SPECIALE	UNTERLAGSCHEIBE	ARANDELA ESPECIAL
58	457333	1	SPORTELLO PARAURTI LAT. SX C120	DOOR	PORTILLON	DECKEL	PORTEZUELA
59	442203	2	STAFFA COFANO ASPIRAZIONE C130 2015	SUPPORT	ATTAQUE	HALTERUNG	SOPORTE FIJADOR
60	457514	1	STAFFA FISSAGGIO SERB SOL/REC SX C120	SUPPORT	SUPPORT	HALTERUNG	SOPORTE FIJADOR
61	455292	1	STAFFA FISSAGGIO SERBATOIO SOL/REC C120	SUPPORT	SUPPORT	HALTERUNG	SOPORTE FIJADOR
62	416075	4	TAPPO A SCATTO D.25 HEYCO TIPO MDP	CAP	CAPUCHON	KAPPE	TAPON
63	440580	5	VITE AUTOF. 3.5x12 x PLASTICA SP. NERA	SCREW	VIS	SCHRAUBE	TORNILLO
64	415869	3	VITE D.3,5X16 TSPTC AUTOF. UNI 6955 NERA	SCREW	VIS	SCHRAUBE	TORNILLO
65	408884	3	VITE D.4,8x16 AUTOF. NICH UNI 6954	SCREW	VIS	SCHRAUBE	TORNILLO
66	415778	2	VITE M4X12 TCTC UNI 7687 INOX A2	SCREW	VIS	SCHRAUBE	TORNILLO
67	415782	1	VITE M4X20 TCTC UNI 7687 ZINC	SCREW	VIS	SCHRAUBE	TORNILLO
68	418311	1	VITE M5x10 TCTC UNI 7687 (4.8) ZINC.	SCREW	VIS	SCHRAUBE	TORNILLO
69	425203	4	VITE M5x12 TBEI UNI 7380 ZINC	SCREW	VIS	SCHRAUBE	TORNILLO
70	438302	10	VITE M5x16 TSPTC UNI 7688 ZINC. NERO	SCREW	VIS	SCHRAUBE	TORNILLO
71	408856	5	VITE M5x25 TCTC UNI 7687 ZINC	SCREW	VIS	SCHRAUBE	TORNILLO
72	446563	7	VITE M5x25 TSPTC UNI 7688 ZINC. NERO	SCREW	VIS	SCHRAUBE	TORNILLO
73	415856	8	VITE M6X16 TBEI ISO 7380	SCREW	VIS	SCHRAUBE	TORNILLO
74	451254	1	VITE M6x16 TCEI ZIGRINATURA SOTTOTESTA	SCREW	VIS	SCHRAUBE	TORNILLO
75	407665	10	VITE M6X18 TE UNI 5739 ZINC	SCREW	VIS	SCHRAUBE	TORNILLO
76	415824	4	VITE M6x25 TPSEI UNI5933	SCREW	VIS	SCHRAUBE	TORNILLO
77	408651	22	VITE M6x35 TE UNI 5739 ZINC	SCREW	VIS	SCHRAUBE	TORNILLO
78	427915	1	VITE M6x35 TTQST UNI 5732 INOX	SCREW	VIS	SCHRAUBE	TORNILLO
79	408802	1	VITE M6X40 TCEI UNI 5931 FP ZINC	SCREW	VIS	SCHRAUBE	TORNILLO
80	408971	1	VITE M6x40 TPSEI UNI 5933 FP ZINC	SCREW	VIS	SCHRAUBE	TORNILLO
81	408656	3	VITE M6X50 TE UNI 5739 ZINC	SCREW	VIS	SCHRAUBE	TORNILLO
82	443132	2	VITE M6X50 TPSEI UNI 5933 DIN 7991 INOX	SCREW	VIS	SCHRAUBE	TORNILLO
83	418321	8	VITE M6X55 TE UNI 5739 (8.8) ZINC.	SCREW	VIS	SCHRAUBE	TORNILLO
84	425828	12	VITE M8x20 TBEI ISO 7380 A2	SCREW	VIS	SCHRAUBE	TORNILLO

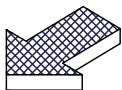
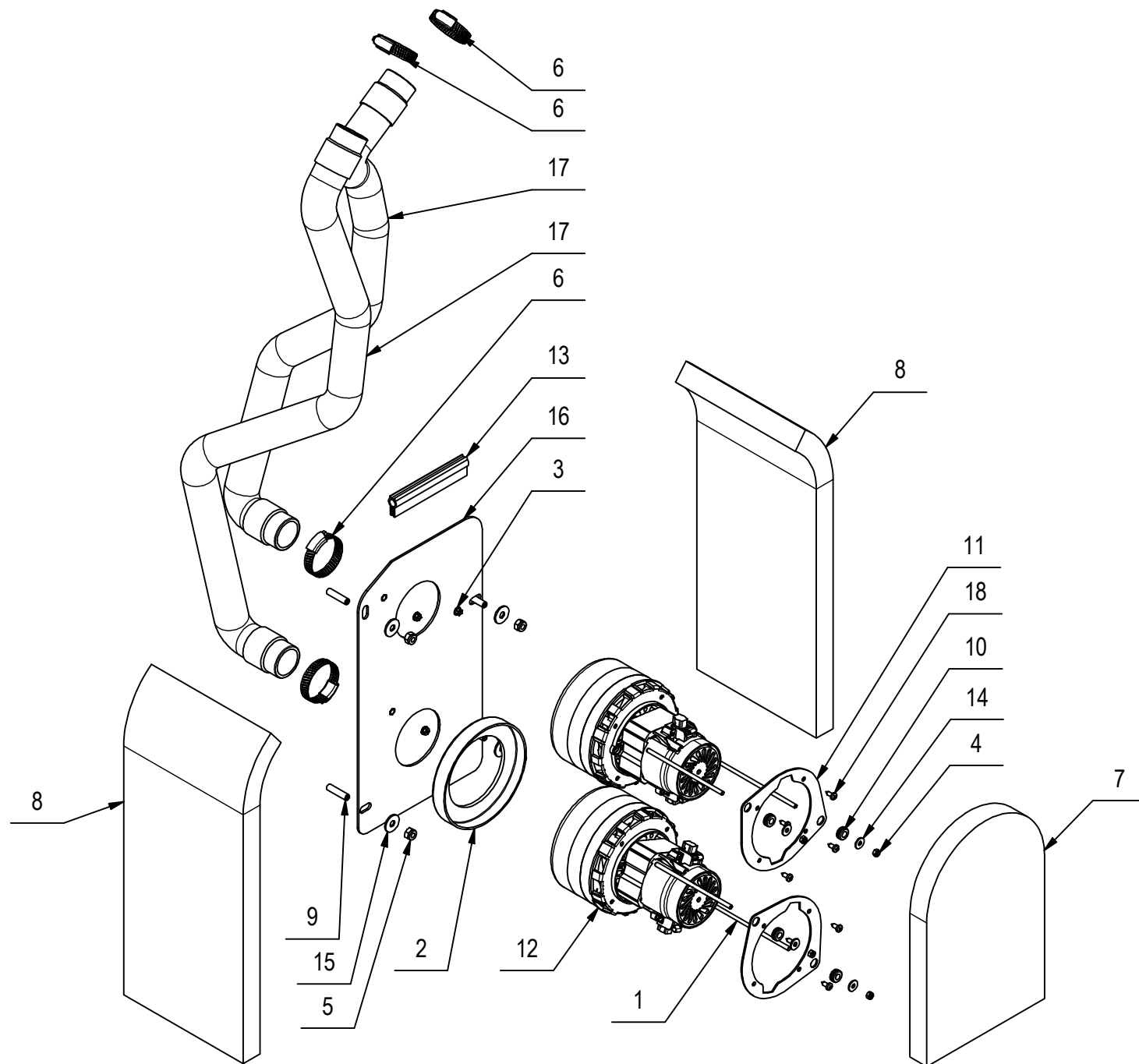
CR-11 GRUPPO ASPIRAZIONE C120

SUCTION GROUP

UNITÉ D'ASPIRATION

ABSAUGEINHEIT

UNIDAD DE SUCCIÓN



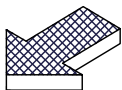
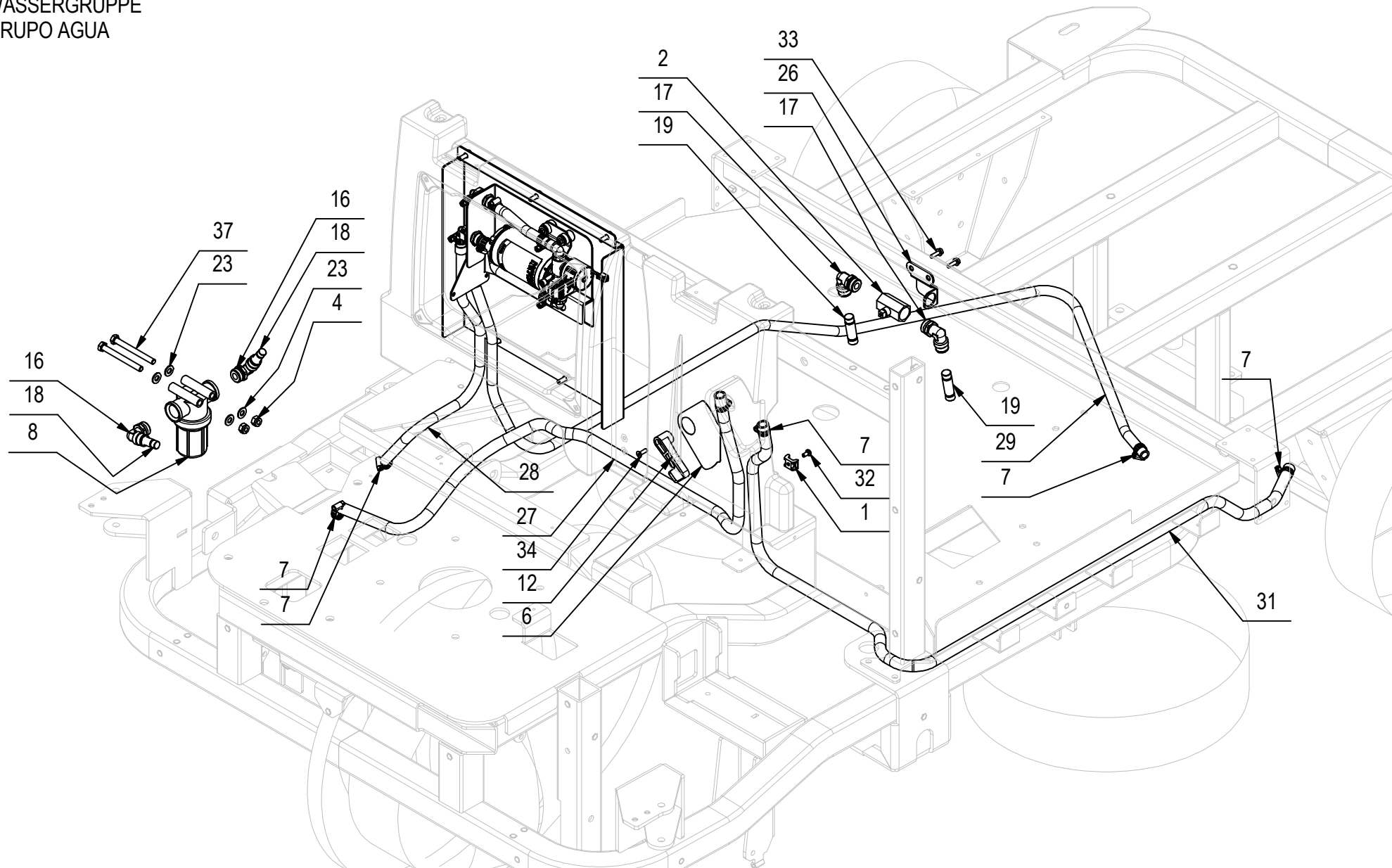
CR-11 GRUPPO ASPIRAZIONE C120

11

POS	CODICE	QTÀ	DESCRIZIONE	DESCRIPTION	DESIGNATION	BEZEICHNUNG	DESCRIPCÓN
1	438594	4	BARRA FILETTATA M5 L=135 ZINCATA	ROD	TIGE	STANGE	VARILLA
2	405936	2	CUFFIA MOTORE ASPIRAZIONE 60.037	SHROUD SUCTION MOTOR	JOINT MOTEUR D'ASPIRATION	LAGERRING SAUGMOTOR	ANILLO MOTOR DE ASPIRACION
3	409124	4	DADO M5 SERPRESS	NUT	ECROU	MUTTER	TUERCA
4	416781	4	DADO M5X5 AUTOBL. UNI 7473 ZINC	LOCK NUT	ECROU AUTOFREINES	SICHERUNGSMUTTER	TUERCA AUTOBLOCANTE
5	409085	4	DADO M8x8.5 AUTOBL. UNI 7474 ZINC	LOCK NUT	ECROU AUTOFREINES	SICHERUNGSMUTTER	TUERCA AUTOBLOCANTE
6	420512	4	FASCETTA A VITE 27/51x12,6 INOX	SCREW CLAMP	COLLIER VIS	BRIDE SCHRAUBE	ABRAZADERA A TORNILLO
7	456228	1	FONOASSORBENTE PANNELLO VANO ASPIR. C120	DEADENING	ISOLANT PHONIQUE	SCHALLDICHTUNG	FONOABSORBENTE
8	456229	2	FONOASSORBENTE SERBATOI VANO ASPIR. C120	DEADENING	ISOLANT PHONIQUE	SCHALLDICHTUNG	FONOABSORBENTE
9	408915	4	GRANO M8X35 EI UNI 5923	DOWEL	VIS CYLINDRIQUE	MADENSCHRAUBE	TORNILLO
10	409810	4	PASSAFILO DIAM. 8x12x1.5	FAIRLEAD	PASSE-CABLE	KABELDURCHGANG	GUIACABLE
11	204233	2	PIASTRA MOTORE	PLAQUE	PLAQUE	BEFESTIGUNGSAUFLAGE	PLACA
12	223458	2	PREM. MOT. ASP 36V 650W H2000 PERIF. 3ST	SUCTION MOTOR	MOTEUR D'ASPIRATION	SAUGMOTOR	MOTOR DE ASPIRACION
13	231901	1	PROF. ASSOTECH A055_S9757 L=130	PROFILE	PROFIL	ICH KONTURIERE	PERFIL
14	409151	4	ROSETTA 5,5x15x1.5 UNI 6593 ZINC	WASHER	RONDELLE	UNTERLAGSCHEIBE	ARANDELA
15	409179	4	ROSETTA 9x24x2,5 UNI 6593 ZINC	WASHER	RONDELLE	UNTERLAGSCHEIBE	ARANDELA
16	455324	1	SUPPORTO MOT. ASPIRAZIONE C120	SUPPORT	SUPPORT	HALTERUNG	SOPORTE
17	202185	2	TUBO ASP. DIAM.38X1300 CON MANICOTTI	SUCTION HOSE	FLEXIBLE ASPIRATION	SAUGSCHLAUCH	TUBO DE ASPIRACION
18	408883	8	VITE D.4,8x13 TCTC AUTOF. NICH UNI 6954	SCREW	VIS	SCHRAUBE	TORNILLO

CR-13 GRUPPO IDRICO BASE C120

WATER UNIT
 GROUPE HYDRIQUE
 WASSERGRUPPE
 GRUPO AGUA



CR-13 GRUPPO IDRICO BASE C120

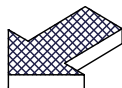
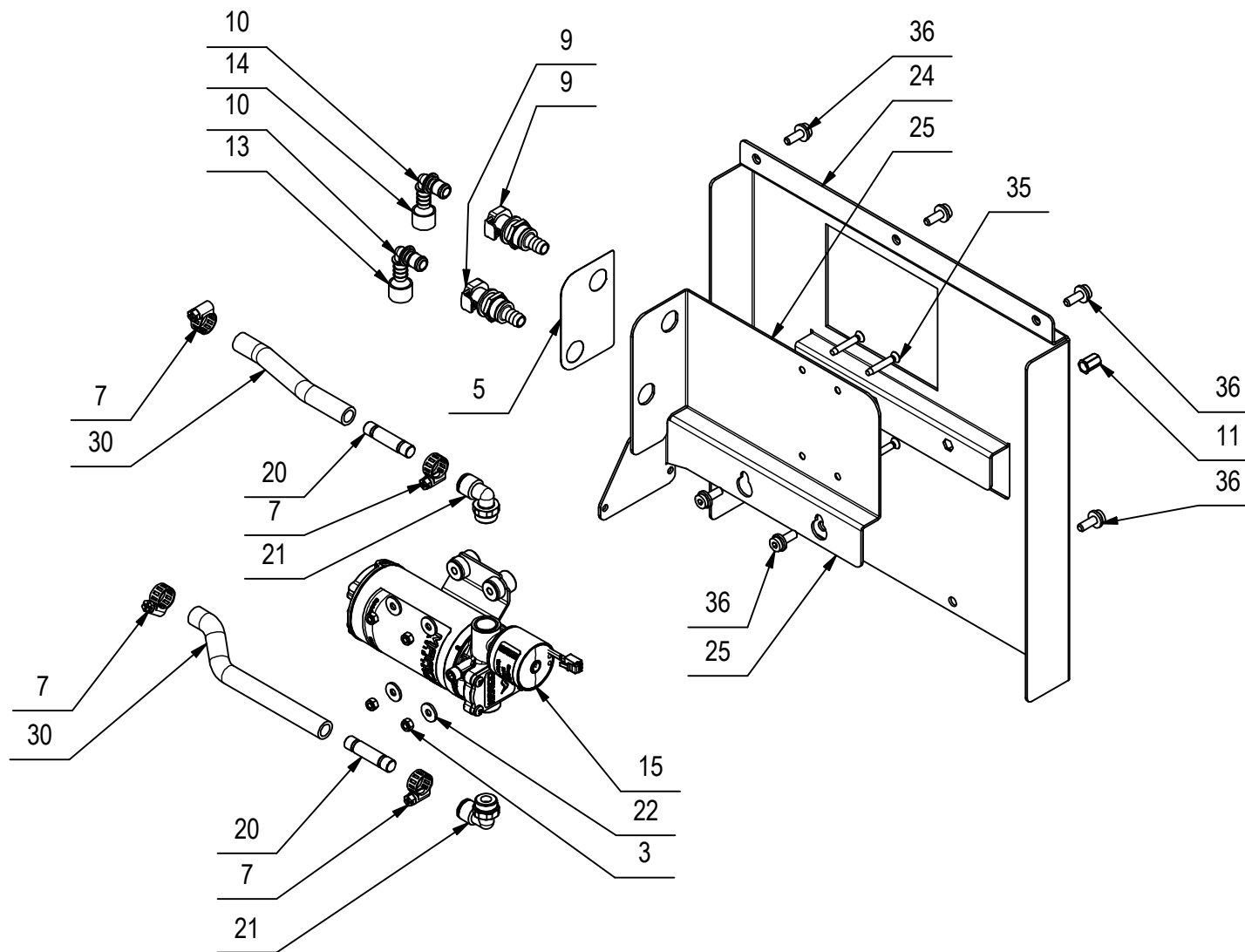
13

POS	CODICE	QTÀ	DESCRIZIONE	DESCRIPTION	DESIGNATION	BEZEICHNUNG	DESCRIPCÓN
1	409819	1	BASSETTA TC 142 PER FASCETTE	SUPPORT PLATE	PLAQUE SUPPORT	STÜTZPLATTE	PLACA SOPORTE
2	410330	1	CORPO RUBINETTO 1/2" G FF	COCK	ROBINET	WASSERHAHN	GRIFO
3	416781	4	DADO M5X5 AUTOBL. UNI 7473 ZINC	LOCK NUT	ECROU AUTOFREINES	SICHERUNGSMUTTER	TUERCA AUTOBLOCANTE
4	409085	2	DADO M8x8.5 AUTOBL. UNI 7474 ZINC	LOCK NUT	ECROU AUTOFREINES	SICHERUNGSMUTTER	TUERCA AUTOBLOCANTE
5	456208	1	ETICHETTA INGRESSO TUBI IMPIANTO C120	DECAL	ETIQUETTE	SCHILD	ETIQUETA
6	450962	1	ETICHETTA RUBINETTO C75 2019	DECAL	ETIQUETTE	SCHILD	ETIQUETA
7	410292	12	FASCETTA A VITE 11/17 ABA	CLAMP	COLLIER	BRIDE	ABRAZADERA
8	405409	1	FILTRO 1/2" G FF 32 MESH	FILTER	FILTRE	FILTER	FILTRO
9	438667	2	INNESTO RAPIDO F. 3/8" CPC APCD16006	VALVE	SOUPAPE	VENTIL	VALVULA
10	438666	2	INNESTO RAPIDO M. 3/8" 90° CPC APC23006	MALE COUPLING	EMBRAYAGE MALE	KUPPLUNG MIT ZAPFEN	ACOPLAMIENTO MACHO
11	410553	2	INSERTO M6X17,5-ESAG.9-T.RID. SP.2,5/5,5	INSERT	SUPPLÉMENT	BEILAGE	LEGAJO
12	400385	1	MANETTA PVC CHIUSURA ASP. S901/902 B-S	COCK LEVER	LEVIER DE ROBINET	WASSERHAHNHEBEL	PALANCA DE GRIFO
13	228499	1	MANICOTTO IN GOMMA A9 BLU (L=12,5)	RUBBER SLEEVE	MANCHON	GUMMI-ÄRMEL	MANGA DE GOMA
14	228500	1	MANICOTTO IN GOMMA A9 ROSSO (L=12,5)	RUBBER SLEEVE	MANCHON	GUMMI-ÄRMEL	MANGA DE GOMA
15	456590	1	POMPA MARCO P-UP8/A 10LT/MIN	PUMP	POMPE	PUMPE	BOMBA
16	451031	2	RACCORDO A GOMITO CAMOZZI S6520 12-1/2	ELBOW	COUDE	WINKELVERSCHRAUBUNG	RACOR CODO
17	445001	2	RACCORDO A GOMITO CAMOZZI S6520 14-1/2	ELBOW	COUDE	WINKELVERSCHRAUBUNG	RACOR CODO
18	449842	2	RACCORDO A TUBO CAMOZZI 6950 12	FITTING	RACCORD	VERSCHRAUBUNG	RACOR
19	445002	2	RACCORDO A TUBO CAMOZZI 6950 14	FITTING	RACCORD	VERSCHRAUBUNG	RACOR
20	441791	2	RACCORDO RAPIDO CILINDRICO 6950 10	FITTING	RACCORD	VERSCHRAUBUNG	RACOR
21	441792	2	RACCORDO SUPER RAPIDO 7522 10 3/8	FITTING	RACCORD	VERSCHRAUBUNG	RACOR
22	409151	4	ROSETTA 5,5x15x1.5 UNI 6593 ZINC	WASHER	RONDELLE	UNTERLAGSCHEIBE	ARANDELA
23	409175	4	ROSETTA 8x17x1,6 UNI 6592 ZINC.	WASHER	RONDELLE	UNTERLAGSCHEIBE	ARANDELA
24	455312	1	SUPPORTO ESTERNO POMPA C120	PLATE	TOLE	PLATTE	CHAPA
25	455310	1	SUPPORTO INTERNO POMPA C120	SUPPORT	SUPPORT	HALTERUNG	SOPORTE
26	455309	1	SUPPORTO LEVA RUBINETTO C120	SUPPORT	SUPPORT	HALTERUNG	SOPORTE FIJADOR
27	209656	1	TUBO D.12X1100 PVC SPIR.TRASPARENTE	PIPE	TUBE	ROHR	TUBO
28	217301	1	TUBO D=16 d=10 L=550 SPIRALATO	PIPE	TUBE	ROHR	TUBO
29	231858	1	TUBO D=16 d=10 L=1900 SPIRALATO	PIPE	TUBE	ROHR	TUBO
30	209650	2	TUBO DIAM.10X170 PVC SPIR. TRASPARENTE	*Varia*	*Varia*	*Varia*	*Varia*
31	231857	1	TUBO PVC SPIRALATO TRASP. D.12X1400	PIPE	TUBE	ROHR	TUBO
32	418311	1	VITE M5x10 TCTC UNI 7687 (4.8) ZINC.	SCREW	VIS	SCHRAUBE	TORNILLO
33	450350	2	VITE M5x16 TCEI ZIGRINATURA SOTTOTESTA	SCREW	VIS	SCHRAUBE	TORNILLO
34	408957	1	VITE M5x16 TPSEI UNI 5933 INOX	SCREW	VIS	SCHRAUBE	TORNILLO
35	408933	4	VITE M5x30 TPSTC UNI7688 ZN	SCREW	VIS	SCHRAUBE	TORNILLO

CR-13 GRUPPO IDRICO BASE C120

WATER UNIT
 GROUPE HYDRIQUE
 WASSERGRUPPE
 GRUPO AGUA

13



CR-13 GRUPPO IDRICO BASE C120

13

POS	CODICE	QTÀ	DESCRIZIONE	DESCRIPTION	DESIGNATION	BEZEICHNUNG	DESCRPCIÓN
36	451254	7	VITE M6x16 TCEI ZIGRINATURA SOTTOTESTA	SCREW	VIS	SCHRAUBE	TORNILLO
37	408687	2	VITE M8X80 TE UNI 5737 FP ZINC	SCREW	VIS	SCHRAUBE	TORNILLO

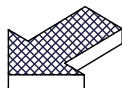
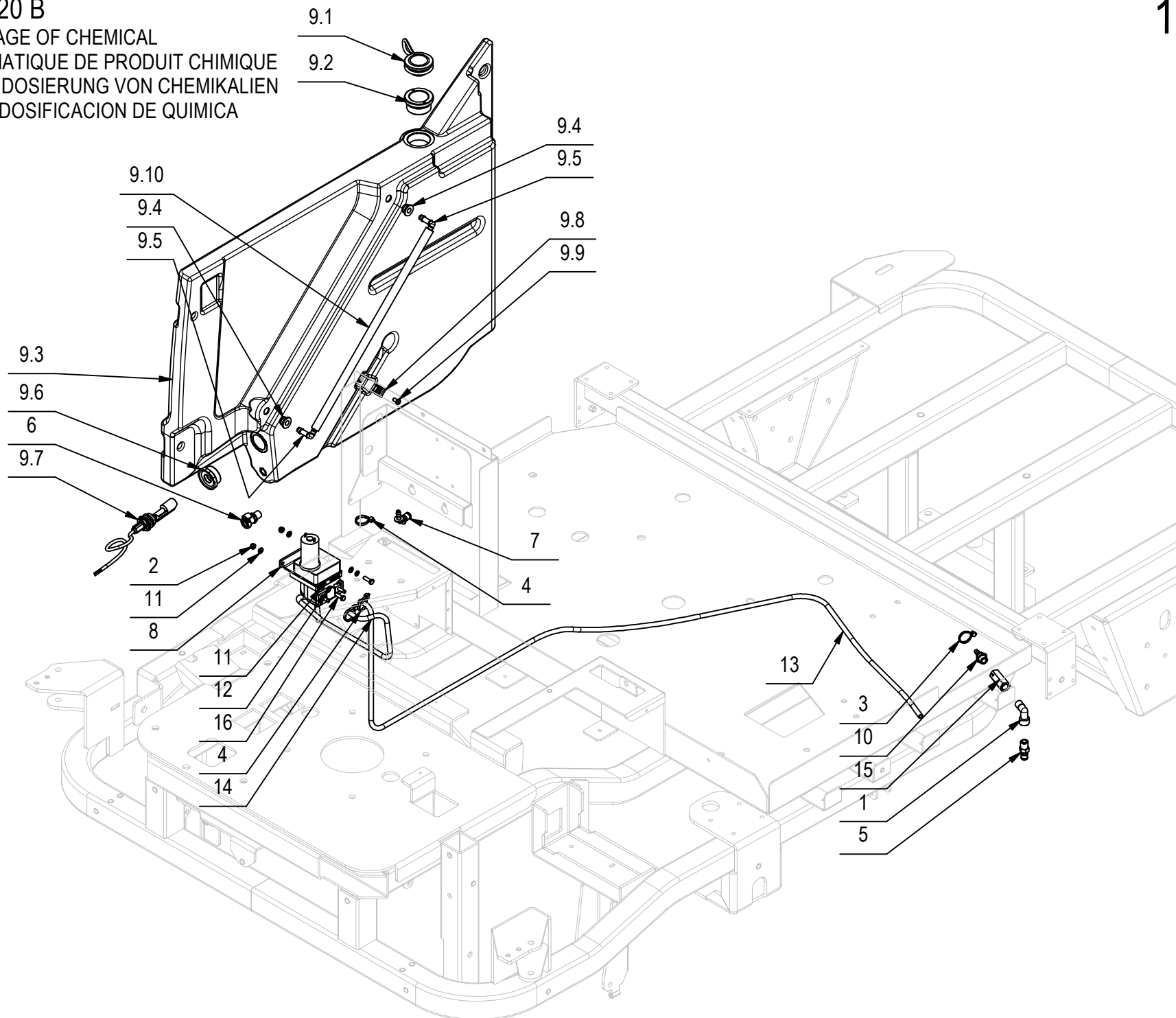
CR-13A KIT CDS C120 B

GROUP AUTOMATIC DOSAGE OF CHEMICAL

GROUPE DOSAGE AUTOMATIQUE DE PRODUIT CHIMIQUE

GRUPPE AUTOMATISCHE DOSIERUNG VON CHEMIKALIEN

GRUPO AUTOMATICO DE DOSIFICACION DE QUIMICA



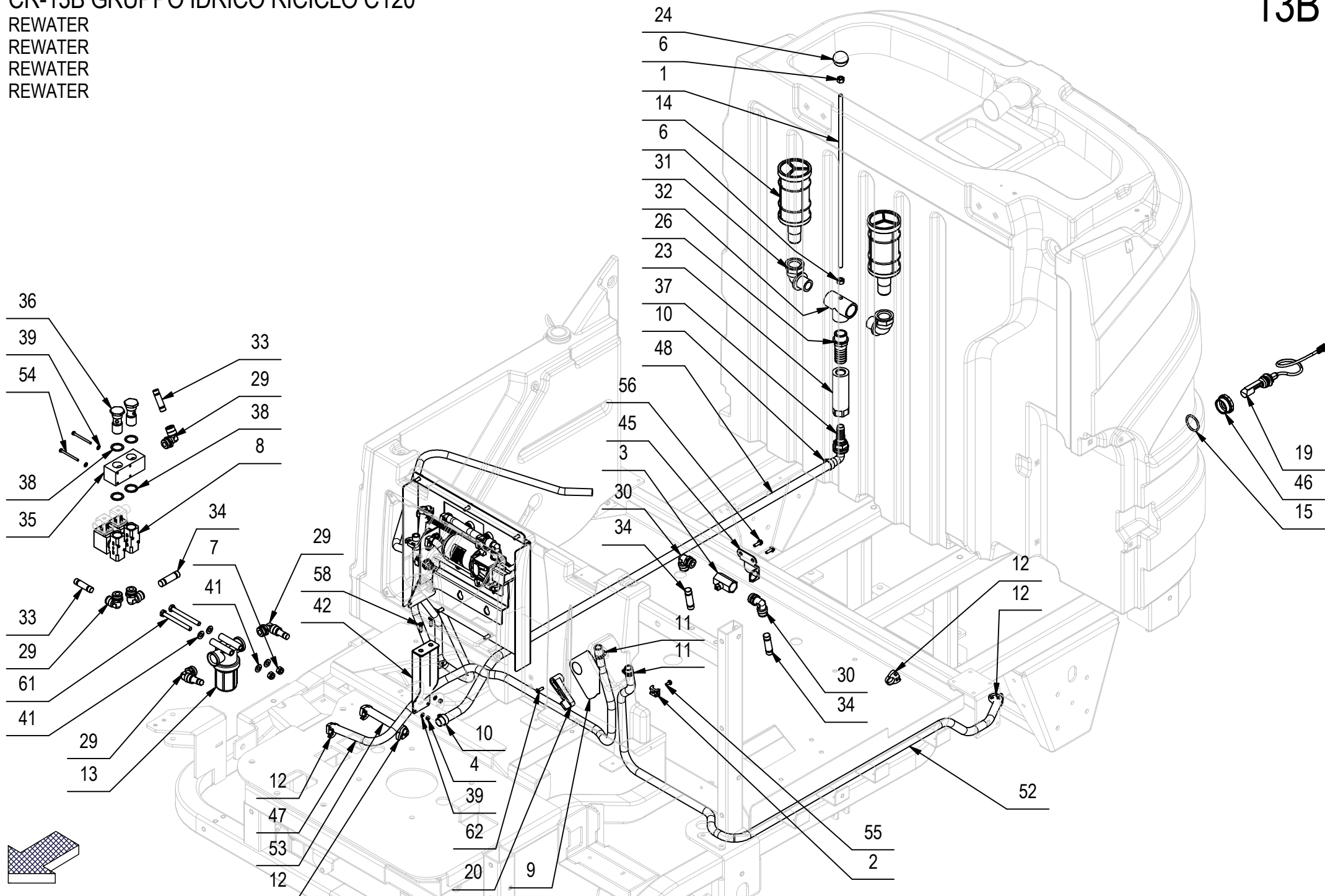
CR-13A KIT CDS C120 B

13A

POS	CODICE	QTÀ	DESCRIZIONE	DESCRIPTION	DESIGNATION	BEZEICHNUNG	DESCRIPCION
1	422503	1	CURVA 90° 1/4" M/F	ELBOW	COUDE	WINKELVERSCHRAUBUNG	RACOR CODO
3	410274	1	FASCETTA PLASTICA 2.5x98	CLAMP	COLLIER	BRIDE	ABRAZADERA
4	410275	3	FASCETTA PLASTICA 3,6x140 BIANCA	CLAMP	COLLIER	BRIDE	ABRAZADERA
5	446384	1	INNESTO RAPIDO 1-4" GAS - APC24004	MALE COUPLING	EMBAYAGE MALE	KUPPLUNG MIT ZAPFEN	ACOPLAMIENTO MACHO
6	421744	1	INNESTO RAPIDO FEM. 1/4" CPC APC10004BSP	FEMALE COUPLING	EMBAYAGE FEMELLE	KUPPLUNG OHNE ZAPFEN	ACOPLAMIENTO HEMBRA
7	423592	1	INNESTO RAPIDO M. 1/4" 90° CPC APC23004	MALE COUPLING	EMBAYAGE MALE	KUPPLUNG MIT ZAPFEN	ACOPLAMIENTO MACHO
8	442630	1	POMPA PERISTALTICA 24V SR25 20250130	PUMP ASSEMBLY	POMPE COMPLETE	PUMPE KOMPLETT	BOMBA COMPLETA
9	231424	1	PREM. SERBATOIO DETERGENTE C120 RAL 7030	TANK	RESERVOIR	TANKE	TANQUE
9.1	450943	1	TAPPO D.32 MERLETT ROSSO	COVER	COUVERCLE	DECKEL	TAPA
9.2	450942	1	RACCORDO G 1"1/4 NYLON NERO C75 2019	FITTING	RACCORD	VERSCHRAUBUNG	RACOR
9.3	454985	1	SERBATOIO DETERGENTE C120 RAL 7030	TANK	RESERVOIR	TANK	TANQUE
9.4	428561	2	GUARNIZIONE D=20 d=8 L=12,5 TIPO PWS8	GASKET	JOINT	DICHTUNG	JUNTA
9.5	428562	2	RACCORDO A GOMITO D=8 L=30 TIPO WS8	ELBOW	COUDE	WINKELVERSCHRAUBUNG	RACOR CODO
9.6	429630	1	TAPPO ESAG. X GALLEG. D=G1" d=16 OT58	THREADED CAP	CAPUCHON FILETE'	KAPPE	TAPON ROSCADO
9.7	409252	1	INTER. GALLEG. AZZURRO CON DADO+GUARNIZ.	FLOAT SWITCH	INTERRUPTEUR A FLOTTEUR	SCHWIMMERSCHALTER	INTERRUPTOR DE FLOTADOR
9.8	409819	1	BASSETTA TC 142 PER FASCETTE	SUPPORT PLATE	PLAQUE SUPPORT	STÜTZPLATTE	PLACA SOPORTE
9.9	418311	1	VITE M5x10 TCTC UNI 7687 (4.8) ZINC.	SCREW	VIS	SCHRAUBE	TORNILLO
9.10	202148	1	TUBO VITREO D=10 L=400				
10	422186	1	RACC. PORTAGOMMA 1/4x7 OTT. NICH.	FITTING	RACCORD	VERSCHRAUBUNG	RACOR
13	231859	1	TUBO DIAM.5X2050 VITREO	PIPE	TUBE	ROHR	TUBO
14	217971	1	TUBO VITREO D=8 d=5 L=560	PIPE	TUBE	ROHR	TUBO
15	426417	1	VALVOLA UNIDIR. 0.2 BAR VNR-843-07	VALVE	SOUPAPE	VENTIL	VALVULA
16	407646	2	VITE M5x16 TE UNI 5739 A2	SCREW	VIS	SCHRAUBE	TORNILLO
11	409149	4	ROSETTA 5x10x1 UNI 6592 A2	WASHER	RONDELLE	UNTERLEGSCHIEBE	ARANDELA
12	409155	4	ROSETTA M5 UNI 1751 INOX GROWER	WASHER	RONDELLE	UNTERLAGSCHIEBE	ARANDELA
2	448244	2	DADO M5x5 AUTOBL. UNI 7474 INOX	NUT	ECROU	MUTTER	TUERCA

CR-13B GRUPPO IDRICO RICICLO C120

REWATER
REWATER
REWATER
REWATER



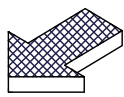
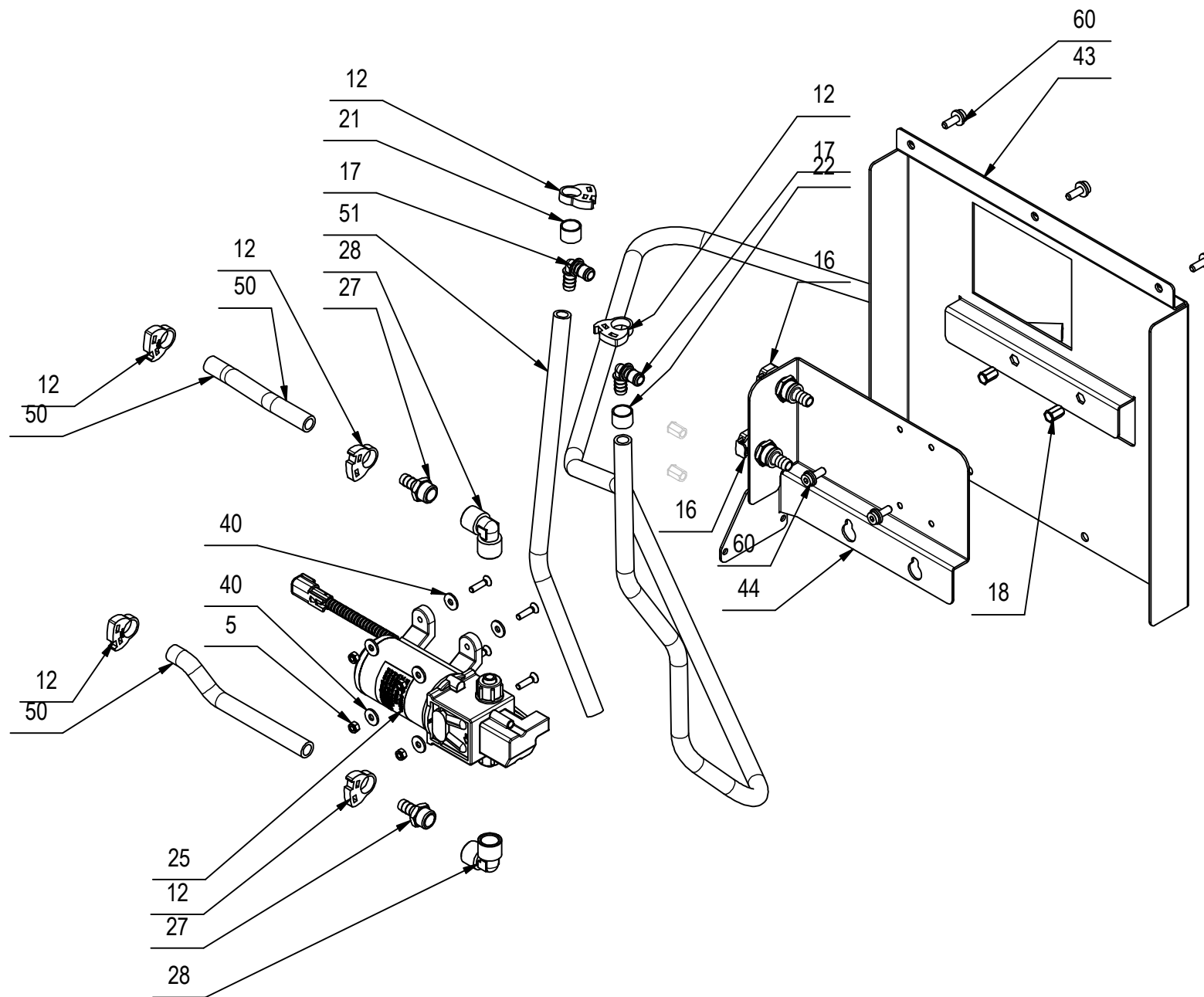
CR-13B GRUPPO IDRICO RICICLO C120

13B

POS	CODICE	QTÀ	DESCRIZIONE	DESCRIPTION	DESIGNATION	BEZEICHNUNG	DESCRIPCÓN
1	454890	1	ASTA SUPP. FILTRI Ø8 L=450 FIL. M8 INOX	ROD	TIGE	STANGE	VARILLA
2	409819	1	BASSETTA TC 142 PER FASCETTE	SUPPORT PLATE	PLAQUE SUPPORT	STÜTZPLATTE	PLACA SOPORTE
3	410330	1	CORPO RUBINETTO 1/2" G FF	COCK	ROBINET	WASSERHAHN	GRIFO
4	409034	2	DADO M4x4 UNI 5587 ZINC	NUT	ECROU	MUTTER	TUERCA
5	416781	4	DADO M5X5 AUTOBL. UNI 7473 ZINC	LOCK NUT	ECROU AUTOFREINES	SICHERUNGSMUTTER	TUERCA AUTOBLOCANTE
6	409051	2	DADO M8X8 INOX UNI 5587	NUT	ECROU	MUTTER	TUERCA
7	409085	2	DADO M8x8.5 AUTOBL. UNI 7474 ZINC	LOCK NUT	ECROU AUTOFREINES	SICHERUNGSMUTTER	TUERCA AUTOBLOCANTE
8	447111	2	ELETTROVALV. COMP. 36V 1/2" 5 BAR 90°	SOLENOID VALVE	ELECTROVANNE	MAGNETVENTIL	ELETTROVALVULA
9	450962	1	ETICHETTA RUBINETTO C75 2019	DECAL	ETIQUETTE	SCHILD	ETIQUETA
10	410297	2	FASCETTA A VITE 12 -20 - 9	CLAMP	COLLIER	BRIDE	ABRAZADERA
11	410292	2	FASCETTA A VITE 11/17 ABA	CLAMP	COLLIER	BRIDE	ABRAZADERA
12	449100	12	FASCETTA SCATTO HERBIE HCL-F Ø15,0-17,1	CLAMP	COLLIER	BRIDE	ABRAZADERA
13	405409	1	FILTRO 1/2" G FF 32 MESH	FILTER	FILTRE	FILTER	FILTRO
14	446692	2	FILTRO DI FONDO 3-4" M (RETE 32 MESH)	FILTER	FILTRE	FILTER	FILTRO
15	408497	1	GUARNIZIONE OR 4125 (138) D.31,34x3,53	O-RING	JOINT	O-RING	JUNTA ANULAR
16	438667	2	INNESTO RAPIDO F. 3/8" CPC APCD16006	VALVE	SOUPAPE	VENTIL	VALVULA
17	438666	2	INNESTO RAPIDO M. 3/8" 90° CPC APC23006	MALE COUPLING	EMBAYAGE MALE	KUPPLUNG MIT ZAPFEN	ACOPLAMIENTO MACHO
18	410553	2	INSERTO M6X17,5-ESAG.9-T.RID. SP.2,5/5,5	INSERT	SUPPLÉMENT	BEILAGE	LEGAJO
19	228377	1	INTER. GALLEGGIANTE 250V AZZ.+MOLEX MIZU	FLOAT	FLOTTEUR	SCHWIMMER	FLOTADOR
20	400385	1	MANETTA PVC CHIUSURA ASP. S901/902 B-S	COCK LEVER	LEVIER DE ROBINET	WASSERHAHNHEBEL	PALANCA DE GRIFO
21	228499	1	MANICOTTO IN GOMMA A9 BLU (L=12,5)	RUBBER SLEEVE	MANCHON	GUMMI-ÄRMEL	MANGA DE GOMA
22	228500	1	MANICOTTO IN GOMMA A9 ROSSO (L=12,5)	RUBBER SLEEVE	MANCHON	GUMMI-ÄRMEL	MANGA DE GOMA
23	454882	1	PERNO D=35-CH.32 d=G1/2"-25,3 L=105 PP	FILTER SUPPORT	SUPPORT FILTRES	FILTERUNTERSTÜTZUNG	SOPORTE FILTROS
24	416156	1	POMELLO A SFERA D.32 M8	KNOB	POMMEAU	RENDELSCHRAUBE	POMO
25	230171	1	POMPA 24-100 - 8L- 11 BAR BYPASS + DTM04	PUMP ASSEMBLY	POMPE COMPLETE	PUMPE KOMPLETT	BOMBA COMPLETA
26	410373	1	PORTAGOMMA 3/4" M. D=25	CONNECTOR	RACCORD	SCHLAUCHANSCHLUSS	EMPALME TUBO DE GOMA
27	428011	2	PORTAGOMMA DIRITTO 3/8"M D.10 (OTTONE)	CONNECTOR	RACCORD	SCHLAUCHANSCHLUSS	EMPALME TUBO DE GOMA
28	428012	2	RACCORDO A GOMITO 3/8" F.F. OTTONE NICH.	ELBOW	COUDE	WINKELVERSCHRAUBUNG	RACOR CODO
29	451031	4	RACCORDO A GOMITO CAMOZZI S6520 12-1/2	ELBOW	COUDE	WINKELVERSCHRAUBUNG	RACOR CODO
30	445001	3	RACCORDO A GOMITO CAMOZZI S6520 14-1/2	ELBOW	COUDE	WINKELVERSCHRAUBUNG	RACOR CODO
31	410354	2	RACCORDO A GOMITO G 3/4" M. G 3/4 F. PP	ELBOW	COUDE	WINKELVERSCHRAUBUNG	RACOR CODO
32	231289	1	RACCORDO A T 3/4" F.F.F. FORATO Ø8	FITTING	RACCORD	VERSCHRAUBUNG	RACOR
33	449842	4	RACCORDO A TUBO CAMOZZI 6950 12	FITTING	RACCORD	VERSCHRAUBUNG	RACOR
34	445002	3	RACCORDO A TUBO CAMOZZI 6950 14	FITTING	RACCORD	VERSCHRAUBUNG	RACOR
35	452450	1	RACCORDO DISTRIBUTORE RICICLO GMG 2020	FITTING	RACCORD	VERSCHRAUBUNG	RACOR

CR-13B GRUPPO IDRICO RICICLO C120

REWATER
REWATER
REWATER
REWATER



CR-13B GRUPPO IDRICO RICICLO C120

13B

POS	CODICE	QTÀ	DESCRIZIONE	DESCRIPTION	DESIGNATION	BEZEICHNUNG	DESCRIPCÓN
36	452451	2	RACCORDO FILETTATO 1/2 - FORATO Ø12-Ø7	FITTING	RACCORD	VERSCHRAUBUNG	RACOR
37	443653	1	RACCORDO PASSAPARETE CURVO G 1/2	FITTING	RACCORD	VERSCHRAUBUNG	RACOR
38	416242	4	RONDELLA IN RAME 1/2	WASHER	RONDELLE	UNTERLAGSCHEIBE	ARANDELA
39	409142	4	ROSETTA 4x9x0,8 UNI 6592 ZINC	WASHER	RONDELLE	UNTERLAGSCHEIBE	ARANDELA
40	409151	6	ROSETTA 5,5x15x1,5 UNI 6593 ZINC	WASHER	RONDELLE	UNTERLAGSCHEIBE	ARANDELA
41	409175	4	ROSETTA 8x17x1,6 UNI 6592 ZINC.	WASHER	RONDELLE	UNTERLAGSCHEIBE	ARANDELA
42	455537	1	STAFFA ELETTROVALVOLE RICICLO C120				
43	455312	1	SUPPORTO ESTERNO POMPA C120	PLATE	TOLE	PLATTE	CHAPA
44	455310	1	SUPPORTO INTERNO POMPA C120	SUPPORT	SUPPORT	HALTERUNG	SOPORTE
45	455309	1	SUPPORTO LEVA RUBINETTO C120	SUPPORT	SUPPORT	HALTERUNG	SOPORTE FIJADOR
46	429630	1	TAPPO ESAG. X GALLEG. D=G1" d=16 OT58	THREADED CAP	CAPUCHON FILETE'	KAPPE	TAPON ROSCADO
47	209656	1	TUBO D.12X1100 PVC SPIR.TRASPARENTE	PIPE	TUBE	ROHR	TUBO
48	202189	1	TUBO D.14x1250 SPIRALATO	PIPE	TUBE	ROHR	TUBO
49	231858	1	TUBO D=16 d=10 L=1900 SPIRALATO	PIPE	TUBE	ROHR	TUBO
50	209650	2	TUBO DIAM.10X170 PVC SPIR. TRASPARENTE	*Varia*	*Varia*	*Varia*	*Varia*
51	225619	1	TUBO DIAM.10X450 PVC SPIR. TRASPARENTE	PIPE	TUBE	ROHR	TUBO
52	231857	1	TUBO PVC SPIRALATO TRASP. D.12X1400	PIPE	TUBE	ROHR	TUBO
53	218082	1	TUBO VITREO SPIRALATO D=17 d=12 L=130	PIPE	TUBE	ROHR	TUBO
54	415711	2	VITE M4X50 TE UNI 5739 (8.8) ZINC	SCREW	VIS	SCHRAUBE	TORNILLO
55	418311	1	VITE M5x10 TCTC UNI 7687 (4.8) ZINC.	SCREW	VIS	SCHRAUBE	TORNILLO
56	450350	2	VITE M5x16 TCEI ZIGRINATURA SOTTOTESTA	SCREW	VIS	SCHRAUBE	TORNILLO
58	415799	6	VITE M5x20 TPSTC ISO746 ZINC	SCREW	VIS	SCHRAUBE	TORNILLO
60	451254	7	VITE M6x16 TCEI ZIGRINATURA SOTTOTESTA	SCREW	VIS	SCHRAUBE	TORNILLO
61	408687	2	VITE M8X80 TE UNI 5737 FP ZINC	SCREW	VIS	SCHRAUBE	TORNILLO
62	408957	1	VITE M5x16 TPSEI UNI 5933 INOX	SCREW	VIS	SCHRAUBE	TORNILLO

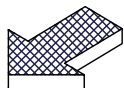
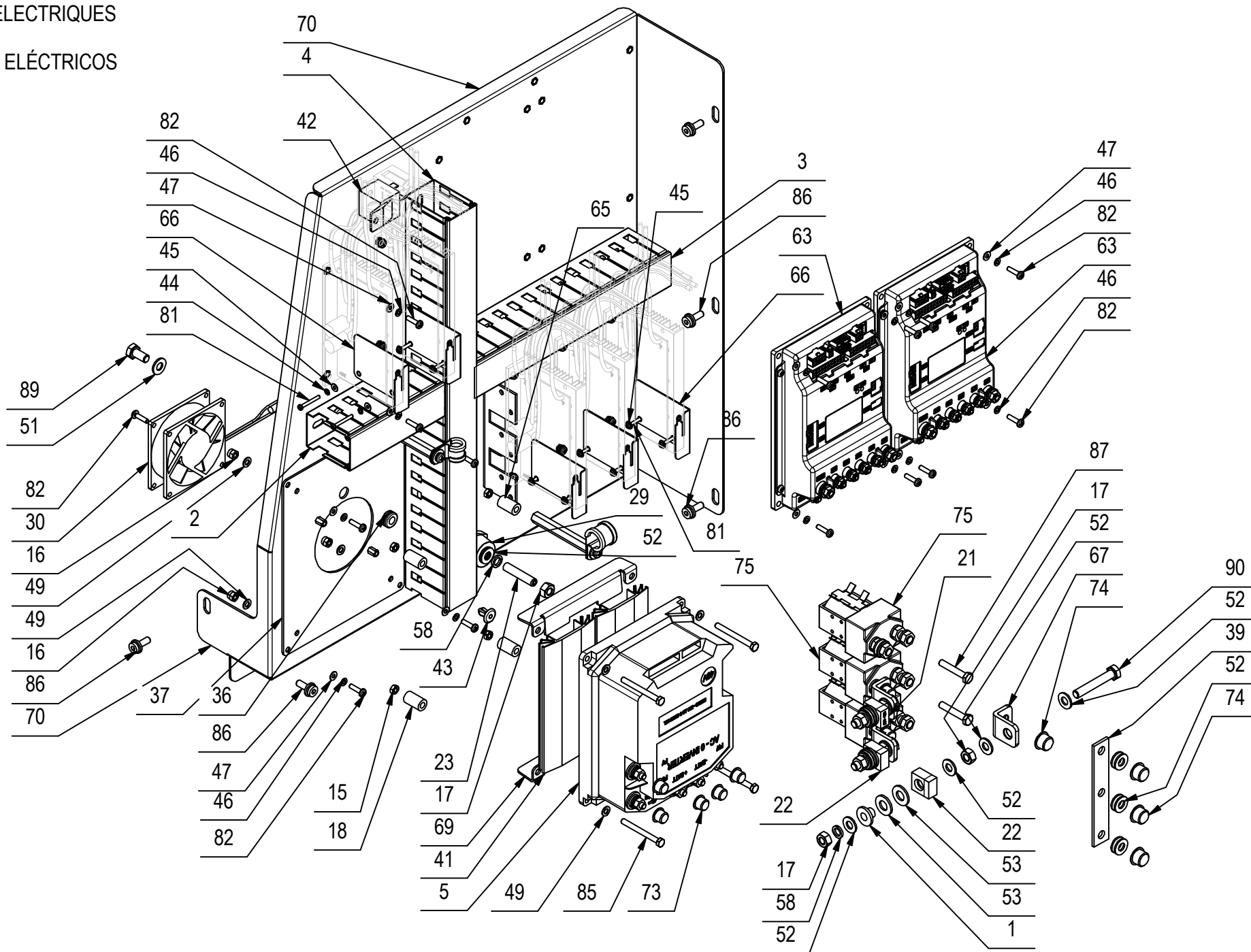
CR-14 GR. IMP. ELETT. C120 B ESSENTIAL

ELECTRIC COMPONENTS

COMPOSANTS ELECTRIQUES

ELEKTROTEILE

COMPONENTES ELÉCTRICOS

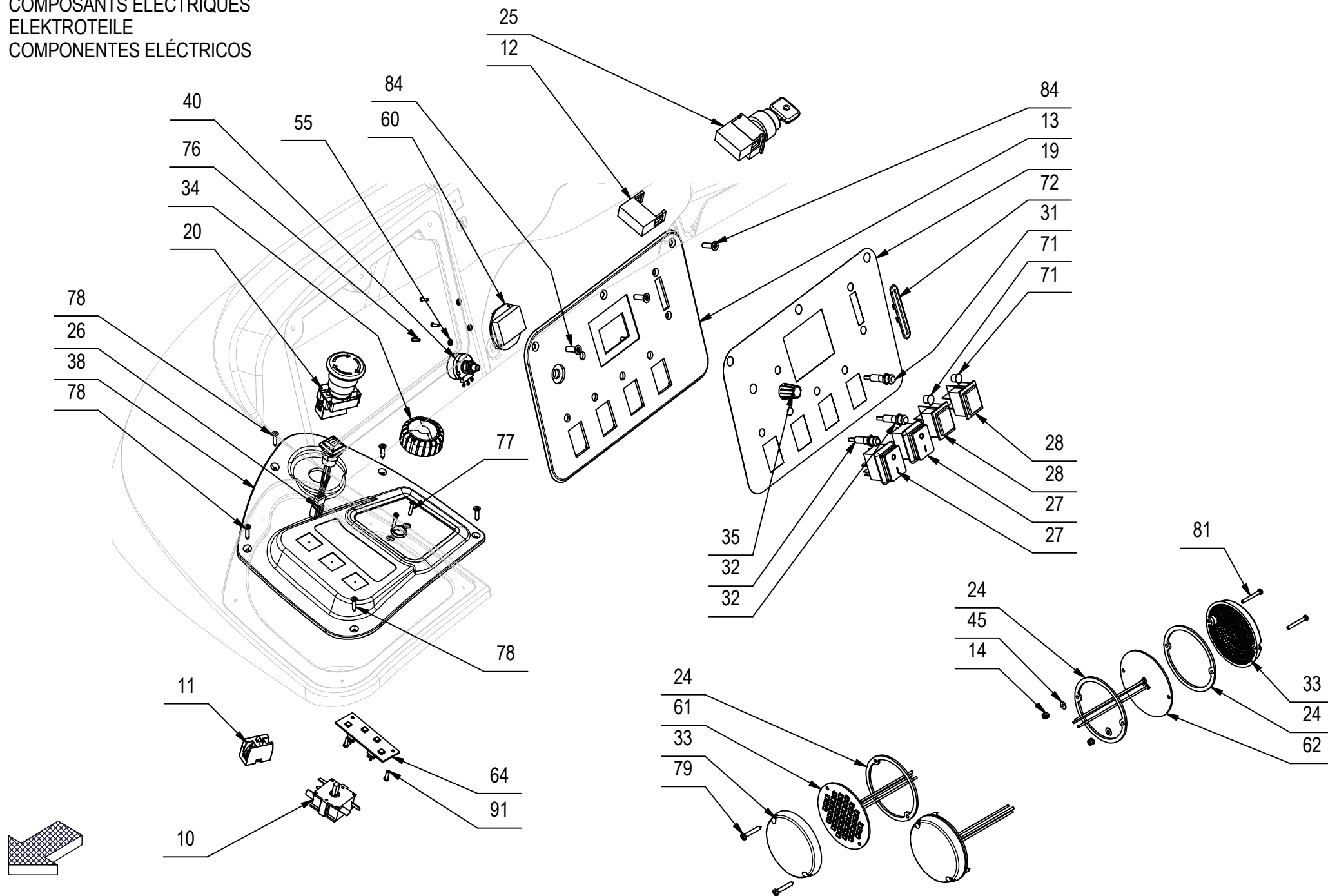


CR-14 GR. IMP. ELETT. C120 B ESSENTIAL

POS	CODICE	QTÀ	DESCRIZIONE	DESCRIPTION	DESIGNATION	BEZEICHNUNG	DESCRIPCÓN
1	436135	3	BOCCOLA ISOLANTE d=8.2 (6109)	BUSHING INSULATION	BAGUE ISOLATION	BUCHSE ISOLIERUNG	AISLAMIENTO
2	231368	1	CANALINA CABL. B=40 H=60 TIPO E5 L=130	CHANNEL	CANAL	FÜHRUNGSSCHIENE	CANAL
3	231434	1	CANALINA CABL. B=40 H=60 TIPO E5 L=270	CHANNEL	CANAL	FÜHRUNGSSCHIENE	CANAL
4	231433	1	CANALINA CABL. B=40 H=60 TIPO E5 L=465	CHANNEL	CANAL	FÜHRUNGSSCHIENE	CANAL
5	448544	1	CHOPPER AC-0 INVERTER FZ5233 48V/125A	CHOPPER CARD	VARIATEUR ELECTRONIQUE	ELEKTRONIKKARTE	FICHA CHOPPER
6	436807	1	CICALINO HP4560 - 24V - 80 dB - 2900 Hz	BUZZER	RONFLEUR	SUMMER	ZUMBADOR
7	430139	1	COLLARE ISOLATO FS6 D.15	ISOLATED COLLAR	COLLIER ISOLÉ	ISOLIERT HALSBAND	COLLAR AISLADO
8	432461	1	COLLARE ISOLATO FS8 D.20	COLLAR	COLLIER	BUNDRING	COLLAR
9	455057	2	COLONNETTA CH=10 M5 L=80 AVP	STUD BOLT	TIGE	GEWINDEBOLZEN	PRISIONERO
10	431792	1	COMMUTATORE ROTANTE 4 POSIZ. (R11D51000)	COMMUTATOR	COMMULATEUR	SCHALTUNG	CONMUTADOR
11	450130	1	CONTATTO NP2-BE102 X FUNGO AR. NP2-BS542	CONTACT	CONTACT	KONTAKT	CONTACTO
12	409246	1	CONTATTO PER INTERRUPTORE A CHIAVE	CONTACT FOR SWITCH	CONTACT INTERRUPT.	KONTAKT FUR SCHALTER	CONTACTO INTERR.
13	228192	1	CRUSCOTTO C85 2018 ESSENTIAL+GUARNIZ.	INSTUMENT BOARD	TABLEAU DE BORD	ARMATURENBRETT	INSTRUMENTOS
14	409077	4	DADO M3x4,5 AUTOBL. UNI 7474 ZINC	LOCK NUT	ECROU AUTOFREINES	SICHERUNGSMUTTER	TUERCA AUTOBLOCANTE
15	409038	4	DADO M5x3,5 UNI 5589 ZINC	LOCK NUT	ECROU AUTOFREINES	SICHERUNGSMUTTER	TUERCA AUTOBLOCANTE
16	409080	4	DADO M5x7 AUTOBL. UNI 7473 ZINC	LOCK NUT	ECROU AUTOFREINES	SICHERUNGSMUTTER	TUERCA AUTOBLOCANTE
17	409046	7	DADO M8x6,5 UNI 5588 ZINC	NUT	ECROU	MUTTER	TUERCA
18	210108	4	DISTANZIALE D=12 d=6 S=20 AVP	SPACER	ENTRETOISE	DISTANZHÜLSE	DISTANCIADOR
19	448744	1	ETICHETTA CRUSCOTTO C85 VERS. INDUSTRIAL	DECAL	ETIQUETTE	SCHILD	ETIQUETA
20	435489	1	FUNGO DI ARRESTO NP2-BS542	PUSH BUTTON	BOUTON POUSSOIR	DRUCKKNOPF	PULSADOR
21	436143	1	FUSIBILE CF - 58V-75A	FUSE	FUSIBLE	SICHERUNG	FUSIBLE
22	435486	2	FUSIBILE CF - 58V-150A	FUSE	FUSIBLE	SICHERUNG	FUSIBLE
23	411962	1	GRANO M8x40 EI UNI 5923 ZINC.	DOWEL	VIS CYLINDRIQUE	MADENSCHRAUBE	TORNILLO
24	438875	8	GUARNIZIONE FANALE D.75	GASKET	JOINT	DICHTUNG	JUNTA
25	210516	1	INT. A CHIAVE COMPLETO (ELFI D.22)	KEY	CLEF	SCHLÜSSEL	LLAVE
26	443044	1	INTERR. LED VERDE APEM IRC1F422L0G+CONN.	SWITCH	INTERRUPTEUR	SCHALTER	INTERRUPTOR
27	417622	2	INTERRUPTORE BIPOLARE NERO A SOFFIETTO	SWITCH	INTERRUPTEUR	SCHALTER	INTERRUPTOR
28	448934	2	INTERRUPTORE FISSO COPRI FORO SENZA SPIA	SWITCH	INTERRUPTEUR	SCHALTER	INTERRUPTOR
29	409770	1	ISOLATORE M8 F.F.	INSULATOR	ISOLATEUR	ISOLATOR	AISLADOR
30	219751	1	KIT VENTOLA CHOPPER AC0	FAN ASSEMBLY	VENTILATEUR COMPLETE	FLÜGELRAD KOMPLETT	VENTILADOR COMPLETO
31	436182	1	LED 5mm SPORGENTE ROSSO - 48V DC	SIGNAL LAMP RED	TEMOIN ROUGE	LAMPE ROT	LAMPARA ROJA
32	436180	2	LED 5mm SPORGENTE VERDE - 48V DC	SIGNAL LAMP GREEN	TEMOIN VERT	KONTROLLEUCHTE GRÜN	LAMPARA TESTIGO VERDE
33	437786	6	LENTE FANALE D=75	LENS	LENTILLE	LINSE	LENTES
34	448338	1	MANOPOLA COMMUTATORE C85 2018	KNOB	POIGNEE	HANDGRIFF	EMPUÑADURA
35	428666	1	MANOPOLA REGOLAZ. POTENZ. D=16 CON TAPPO	ADJUSTER	REGISTRE	DRUCKREGULIERUNG	REGULADOR

CR-14 GR. IMP. ELETT. C120 B ESSENTIAL

ELECTRIC COMPONENTS
 COMPOSANTS ELECTRIQUES
 ELEKTROTEILE
 COMPONENTES ELÉCTRICOS



CR-14 GR. IMP. ELETT. C120 B ESSENTIAL

POS	CODICE	QTÀ	DESCRIZIONE	DESCRIPTION	DESIGNATION	BEZEICHNUNG	DESCRIPCION
36	409810	1	PASSAFILO DIAM. 8x12x1.5	FAIRLEAD	PASSE-CABLE	KABELDURCHGANG	GUIACABLE
37	455325	1	PIASTRA SUPPORTO CHOPPER C120	SUPPORT	SUPPORT	HALTERUNG	SUPORTE
38	231435	1	PLANCIA SUPP. COMANDI C120 + VETRINO	DASHBOARD	TABLEAU DE BORD	INSTRUMENTENTAFEL	TABLERO
39	400433	1	PONTE TELERUTTORI	BRIDGE	PONTAGE	VERBINDUNGSBRÜCKE	PUENTE
40	428665	1	POTENZIOMETRO 2.5 KOHM (ALBERO L=6,35)	POTENTIOMETER	POTENTIOMETRE	POTENTIOMETER	POTENCIOMETRO
41	432562	2	PROFILO DISSIPATORE CALORE ULTRA 120	DIFFUSION	DIFFUSION	VERBREITUNG	DIFUSION
42	443683	1	RELAY FITRE R502/024Z3C9	RELAY	RELAIS	RELAIS	RELE
43	415952	7	RIVETTO 6.4X10 NYLON	RIVET	RIVET	NIET	CLAVO
44	409332	10	RONDELLA DENT. D3 UNI 6798-A	LOCK WASHER	RONDELLE FREIN	ZAHNSCHEIBE	ARANDELA DENTADA
45	409139	14	ROSETTA 3x8x1 UNI 6593 ZINC	WASHER	RONDELLE	UNTERLAGSCHEIBE	ARANDELA
46	415941	23	ROSETTA 4 UNI1751 ZINC GROWER	LOCK WASHER	RONDELLE FREIN	ZAHNSCHEIBE	ARANDELLA DENTADA
47	409142	23	ROSETTA 4x9x0,8 UNI 6592 ZINC	WASHER	RONDELLE	UNTERLAGSCHEIBE	ARANDELA
48	409151	2	ROSETTA 5,5x15x1.5 UNI 6593 ZINC	WASHER	RONDELLE	UNTERLAGSCHEIBE	ARANDELA
49	409150	8	ROSETTA 5X11X1 UNI 6592 ZINC	WASHER	RONDELLE	UNTERLAGSCHEIBE	ARANDELA
50	409156	4	ROSETTA 6x12x1,6 UNI 6592 ZINC	WASHER	RONDELLE	UNTERLAGSCHEIBE	ARANDELA
51	409175	1	ROSETTA 8x17x1,6 UNI 6592 ZINC.	WASHER	RONDELLE	UNTERLAGSCHEIBE	ARANDELA
52	409176	26	ROSETTA 8x17x1.6 UNI 6592 OTTONE	WASHER	RONDELLE	UNTERLAGSCHEIBE	ARANDELA
53	409198	6	ROSETTA 10x21x2 UNI 6592 OTTONE	WASHER	RONDELLE	UNTERLEGSCHEIBE	ARANDELA
54	409340	1	ROSETTA DENT. EST. D.8 DIN 6798 ZINC	LOCK WASHER	RONDELLE FREIN	ZAHNSCHEIBE	ARANDELA DENTADA
55	409140	3	ROSETTA DIAM.3,2X6X1 NYLON	WASHER	RONDELLE	UNTERLAGSCHEIBE	ARANDELA
56	409154	4	ROSETTA GROWER 5x1,6 ZINC	WASHER	RONDELLE	UNTERLAGSCHEIBE	ARANDELA
57	409164	4	ROSETTA GROWER 6x2,5x1,8 ASA B27 ZINC	LOCK WASHER	RONDELLE FREIN	ZAHNSCHEIBE	ARANDELLA DENTADA
58	409181	4	ROSETTA GROWER 8x13x2,2 ZINC	LOCK WASHER	RONDELLE FREIN	ZAHNSCHEIBE	ARANDELLA DENTADA
59	415917	2	ROSETTA M3 UNI 6592 ZINC	WASHER	RONDELLE	UNTERLAGSCHEIBE	ARANDELA
60	448766	1	SCHEDA CONTAORE NE306 SENZA COVER	HOOR METER	COMPTEUR HORAIRE	BETRIEBSSTUNDENZÄHLER	CUENTAHORAS
61	442224	4	SCHEDA FANALE LED B/B 0-COM-74-54-BB-V1	HEAD LIGHT	PROJECTEUR	ARBEITSLICHT	FARO
62	442225	2	SCHEDA FANALE LED B/R 0-COM-74-45-BR-V1	HEAD LIGHT	PROJECTEUR	ARBEITSLICHT	FARO
63	455327	2	SCHEDA FUNZIONI 7CFX3020	CONTROL CARD	PLAQUE CONTR	SCHALTUNGEN	CONTROL MANDOS
64	448712	1	SCHEDA LED COMMUTATORE C85 2018	LED CARD	LED CARD	LED KARTE	FICHA LED
65	203405	1	STAFFA 3 TELERUTTORI OMNIA 32	SUPPORT	SUPPORT	HALTERUNG	SUPORTE
66	455056	5	STAFFA SUP. CONNETTORE SCHEDA MOTORI	SUPPORT	SUPPORT	HALTERUNG	SOPORTE
67	435484	3	STAFFA SUPPORTO FUSIBILE	SUPPORT	ATTAQUE	HALTERUNG	SOPORTE FIJADOR
68	436808	1	SUPPORTO CICALINO MXR EM	SUPPORT	ATTAQUE	HALTERUNG	SOPORTE FIJADOR
69	432576	2	SUPPORTO DISSIPATORE TERMICO ULTRA 120	DIFFUSION SUPPORT	SUPPORT DIFFUSION	HALTERUNG VERBREITUNG	SOPORTE DIFUSION
70	455328	1	SUPPORTO IMPIANTO ELETTRICO C120	SUPPORT	SUPPORT	HALTERUNG	SOPORTE

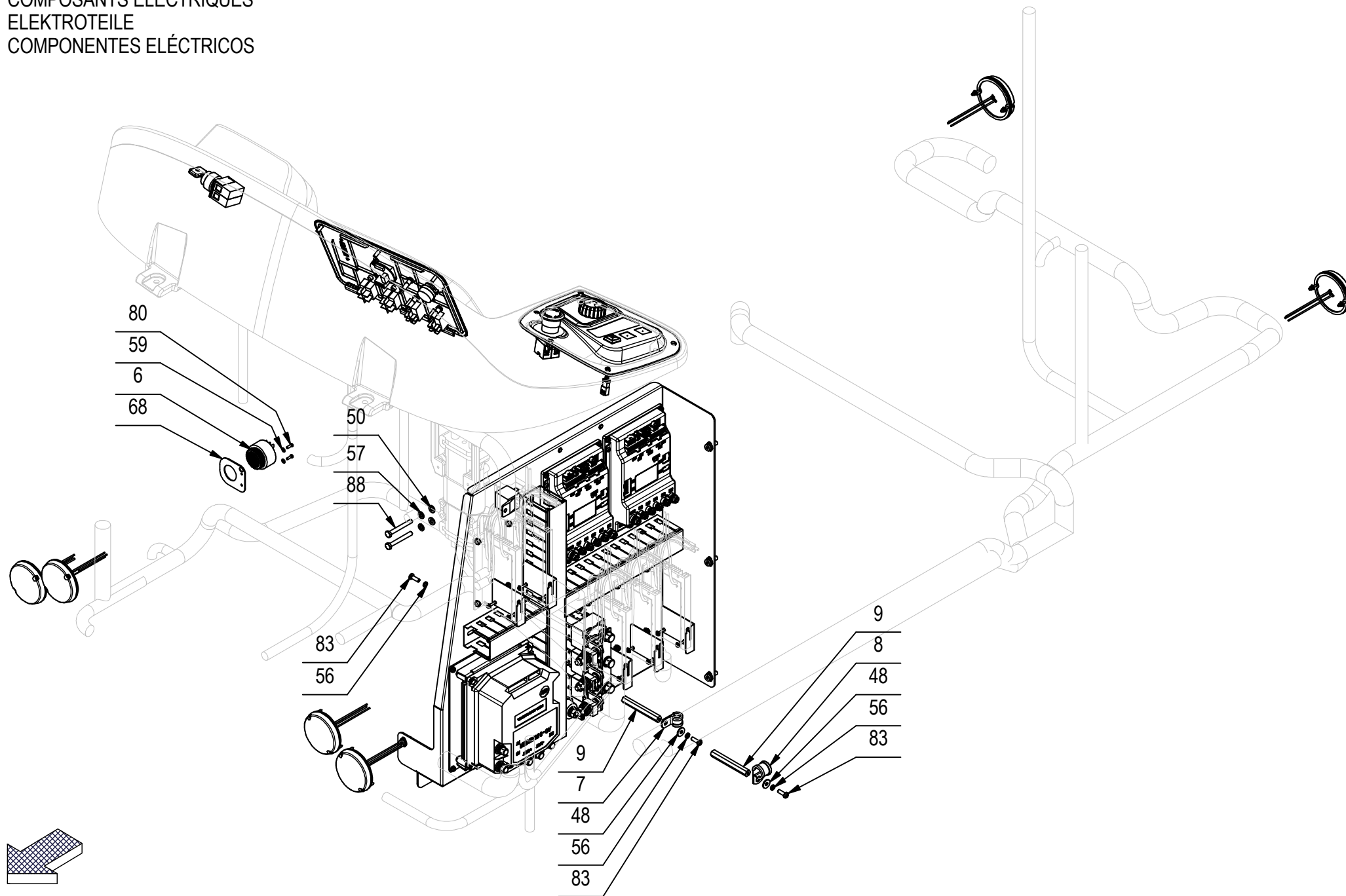
CR-14 GR. IMP. ELETT. C120 B ESSENTIAL

ELECTRIC COMPONENTS

COMPOSANTS ELECTRIQUES

ELEKTROTEILE

COMPONENTES ELÉCTRICOS



CR-14 GR. IMP. ELETT. C120 B ESSENTIAL

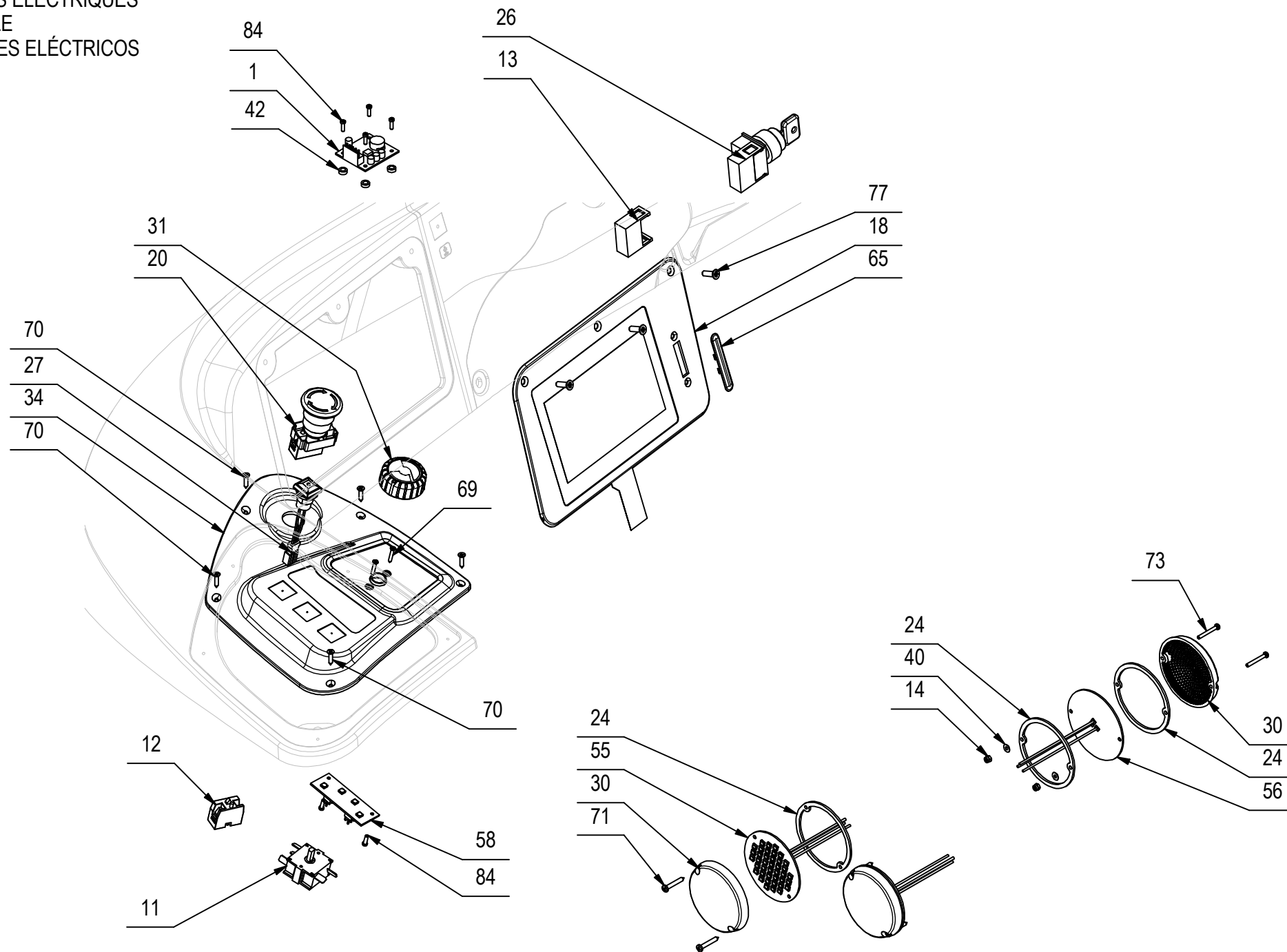
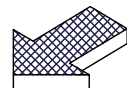
POS	CODICE	QTÀ	DESCRIZIONE	DESCRIPTION	DESIGNATION	BEZEICHNUNG	DESCRIPCION
71	426800	2	TAPPO A SCATTO HEYCO FORO 7.9	CAP	CAPUCHON	KAPPE	TAPON
72	441772	1	TAPPO COPERTURA FORO RFID RAL 7016	COVER	COUVERCLE	DECKEL	TAPA
73	409831	5	TAPPO SALVAFILETTO D=11.5	COVER	COUVERCLE	DECKEL	TAPA
74	409832	6	TAPPO SALVAFILETTO D=14.5	CAP	CAPUCHON	KAPPE	TAPON
75	407587	3	TELERUTTORE 36V SW80-65	REMOTE CONTROL SWITCH	TELERUPTEUR	SCHÜTZ	TELERRUPTOR
76	428629	3	VITE AUTOF. 2,2X9,5 UNI 6954 ZINC TCTC	SCREW	VIS	SCHRAUBE	TORNILLO
77	408867	2	VITE D.2,9X19 AUTOF. NICH UNI 6954	SCREW	VIS	SCHRAUBE	TORNILLO
78	415869	6	VITE D.3,5X16 TSPTC AUTOF. UNI 6955 NERA	SCREW	VIS	SCHRAUBE	TORNILLO
79	408840	8	VITE D.3,5X25 TCTC AUTOF. UNI 7981 PLAST	SCREW	VIS	SCHRAUBE	TORNILLO
80	408838	2	VITE M3x10 TCTC UNI 7687 ZINC	SCREW	VIS	SCHRAUBE	TORNILLO
81	408835	14	VITE M3x25 TCTC UNI 7687 ZINC	SCREW	VIS	SCHRAUBE	TORNILLO
82	408846	25	VITE M4X16 TCTC UNI 7687 ZINC	SCREW	VIS	SCHRAUBE	TORNILLO
83	408854	4	VITE M5X16 TCTC UNI EN ISO 704	SCREW	VIS	SCHRAUBE	TORNILLO
84	438302	3	VITE M5x16 TSPTC UNI 7688 ZINC. NERO	SCREW	VIS	SCHRAUBE	TORNILLO
85	407653	4	VITE M5X50 TE UNI 5739 INOX A2	SCREW	VIS	SCHRAUBE	TORNILLO
86	451254	5	VITE M6x16 TCEI ZIGRINATURA SOTTOTESTA	SCREW	VIS	SCHRAUBE	TORNILLO
87	408651	2	VITE M6x35 TE UNI 5739 ZINC	SCREW	VIS	SCHRAUBE	TORNILLO
88	408656	4	VITE M6X50 TE UNI 5739 ZINC	SCREW	VIS	SCHRAUBE	TORNILLO
89	408669	1	VITE M8x16 TE UNI 5739 ZINC	SCREW	VIS	SCHRAUBE	TORNILLO
90	408692	3	VITE M8X50 TE UNI 5739 ZINC	SCREW	VIS	SCHRAUBE	TORNILLO
91	440883	2	VITE UNI 9707-Pz-TZ D.3 x 10 ZINC.	SCREW	VIS	SCHRAUBE	TORNILLO
92	454354	1	LINEA PRINCIPALE C120 B	CABLE	CABLE	KABEL	CABO
99	455141	1	CAVI BATTERIA C120 B	CABLE	CABLE	KABEL	CABO
98	455134	1	CAVI ATTUATORE TERGIPAVIMENTO C120B	CABLE	CABLE	KABEL	CABO
97	455140	1	CAVI ALIM. IMPIANTO C120 B	CABLE	CABLE	KABEL	CABO
96	455136	1	CAVI ALIM. SCHEDA FUNZIONI RULLO C120 B	CABLE	CABLE	KABEL	CABO
95	455138	1	CAVI ALIM. SCHEDA CHOPPER C120 B	CABLE	CABLE	KABEL	CABO
94	455139	1	CAVI ALIM. SCHEDA FUNZIONI C120 B	CABLE	CABLE	KABEL	CABO
93	454357	1	LINEA CRUSCOTTO C120 B -ESSENTIAL	CABLE	CABLE	KABEL	CABO

CR-14 GR. IMP. ELETT. C120 B BRIGHT

POS	CODICE	QTÀ	DESCRIZIONE	DESCRIPTION	DESIGNATION	BEZEICHNUNG	DESCRIPCION
1	448717	1	ALIMENT./CONVERTITORE 36V/24V 2A DISPLAY	CONVERTER	CONVERTISSEUR	KONVERTER	CONVERTIDOR
2	436135	3	BOCCOLA ISOLANTE d=8.2 (6109)	BUSHING INSULATION	BAGUE ISOLATION	BUCHSE ISOLIERUNG	AISLAMIENTO
3	231368	1	CANALINA CABL. B=40 H=60 TIPO E5 L=130	CHANNEL	CANAL	FÜHRUNGSSCHIENE	CANAL
4	231434	1	CANALINA CABL. B=40 H=60 TIPO E5 L=270	CHANNEL	CANAL	FÜHRUNGSSCHIENE	CANAL
5	231433	1	CANALINA CABL. B=40 H=60 TIPO E5 L=465	CHANNEL	CANAL	FÜHRUNGSSCHIENE	CANAL
6	448544	1	CHOPPER AC-0 INVERTER FZ5233 48V/125A	CHOPPER CARD	VARIATEUR ELECTRONIQUE	ELEKTRONIKKARTE	FICHA CHOPPER
7	436807	1	CICALINO HP4560 - 24V - 80 dB - 2900 Hz	BUZZER	RONFLEUR	SUMMER	ZUMBADOR
8	430139	1	COLLARE ISOLATO FS6 D.15	ISOLATED COLLAR	COLLIER ISOLÉ	ISOLIERT HALSBAND	COLLAR AISLADO
9	432461	1	COLLARE ISOLATO FS8 D.20	COLLAR	COLLIER	BUNDRING	COLLAR
10	455057	2	COLONNETTA CH=10 M5 L=80 AVP	STUD BOLT	TIGE	GEWINDEBOLZEN	PRISIONERO
11	431792	1	COMMUTATORE ROTANTE 4 POSIZ. (R11D51000)	COMMUTATOR	COMMUTATEUR	SCHALTUNG	CONMUTADOR
12	450130	1	CONTATTO NP2-BE102 X FUNGO AR. NP2-BS542	CONTACT	CONTACT	KONTAKT	CONTACTO
13	409246	1	CONTATTO PER INTERRUPTORE A CHIAVE	CONTACT FOR SWITCH	CONTACT INTERRUPT.	KONTAKT FUR SCHALTER	CONTACTO INTERR.
14	409077	4	DADO M3x4,5 AUTOBL. UNI 7474 ZINC	LOCK NUT	ECROU AUTOFREINES	SICHERUNGSMUTTER	TUERCA AUTOBLOCANTE
15	409038	4	DADO M5x3,5 UNI 5589 ZINC	LOCK NUT	ECROU AUTOFREINES	SICHERUNGSMUTTER	TUERCA AUTOBLOCANTE
16	409080	4	DADO M5x7 AUTOBL. UNI 7473 ZINC	LOCK NUT	ECROU AUTOFREINES	SICHERUNGSMUTTER	TUERCA AUTOBLOCANTE
17	409046	7	DADO M8x6,5 UNI 5588 ZINC	NUT	ECROU	MUTTER	TUERCA
18	228149	1	DISPLAY COMPLETO C85 2018	DISPLAY	DISPLAY	DISPLAY	DISPLAY
19	210108	4	DISTANZIALE D=12 d=6 S=20 AVP	SPACER	ENTRETOISE	DISTANZHÜLSE	DISTANCIADOR
20	435489	1	FUNGO DI ARRESTO NP2-BS542	PUSH BUTTON	BOUTON POUSSOIR	DRUCKKNOPF	PULSADOR
21	436143	1	FUSIBILE CF - 58V-75A	FUSE	FUSIBLE	SICHERUNG	FUSIBLE
22	435486	2	FUSIBILE CF - 58V-150A	FUSE	FUSIBLE	SICHERUNG	FUSIBLE
23	411962	1	GRANO M8x40 EI UNI 5923 ZINC.	DOWEL	VIS CYLINDRIQUE	MADENSCHRAUBE	TORNILLO
24	438875	8	GUARNIZIONE FANALE D.75	GASKET	JOINT	DICHTUNG	JUNTA
25	410554	1	INSERTO M4 ESAGONALE T. RIDOTTA	INSERT	GARNITURE	GEWINDEEINSATZ	INSERTO
26	210516	1	INT. A CHIAVE COMPLETO (ELFI D.22)	KEY	CLEF	SCHLÜSSEL	LLAVE
27	443044	1	INTERR. LED VERDE APEM IRC1F422L0G+CONN.	SWITCH	INTERRUPTEUR	SCHALTER	INTERRUPTOR
28	409770	1	ISOLATORE M8 F.F.	INSULATOR	ISOLATEUR	ISOLATOR	AISLADOR
29	219751	1	KIT VENTOLA CHOPPER AC0	FAN ASSEMBLY	VENTILATEUR COMPLETE	FLÜGELRAD KOMPLETT	VENTILADOR COMPLETO
30	437786	6	LENTE FANALE D=75	LENS	LENTILLE	LINSE	LENTE
31	448338	1	MANOPOLA COMMUTATORE C85 2018	KNOB	POIGNEE	HANDGRIFF	EMPUÑADURA
32	409810	1	PASSAFILO DIAM. 8x12x1.5	FAIRLEAD	PASSE-CABLE	KABELDURCHGANG	GUIACABLE
33	455325	1	PIASTRA SUPPORTO CHOPPER C120	SUPPORT	SUPPORT	HALTERUNG	SUPORTE
34	231435	1	PLANCIA SUPP. COMANDI C120 + VETRINO	DASHBOARD	TABEAU DE BORD	INSTRUMENTENTAFEL	TABLERO
35	400433	1	PONTE TELERUTTORI	BRIDGE	PONTAGE	VERBINDUNGSBRÜCKE	PUENTE

CR-14 GR. IMP. ELETT. C120 B BRIGHT

ELECTRIC COMPONENTS
COMPOSANTS ELECTRIQUES
ELEKTROTEILE
COMPONENTES ELÉCTRICOS



CR-14 GR. IMP. ELETT. C120 B BRIGHT

14

POS	CODICE	QTÀ	DESCRIZIONE	DESCRIPTION	DESIGNATION	BEZEICHNUNG	DESCRIPCÓN
36	432562	2	PROFILO DISSIPATORE CALORE ULTRA 120	DIFFUSION	DIFFUSION	VERBREITUNG	DIFUSION
37	443683	1	RELAY FITRE R502/024Z3C9	RELAY	RELAIS	RELAIS	RELE
38	415952	7	RIVETTO 6.4X10 NYLON	RIVET	RIVET	NIET	CLAVO
39	409332	10	RONDELLA DENT. D3 UNI 6798-A	LOCK WASHER	RONDELLE FREIN	ZAHNSCHEIBE	ARANDELA DENTADA
40	409139	14	ROSETTA 3x8x1 UNI 6593 ZINC	WASHER	RONDELLE	UNTERLAGSCHEIBE	ARANDELA
41	415941	23	ROSETTA 4 UNI1751 ZINC GROWER	LOCK WASHER	RONDELLE FREIN	ZAHNSCHEIBE	ARANDELLA DENTADA
42	409148	4	ROSETTA 4x8x3 NYLON	WASHER	RONDELLE	SCHEIBE	ARANDELA
43	409142	23	ROSETTA 4x9x0,8 UNI 6592 ZINC	WASHER	RONDELLE	UNTERLAGSCHEIBE	ARANDELA
44	409151	2	ROSETTA 5,5x15x1.5 UNI 6593 ZINC	WASHER	RONDELLE	UNTERLAGSCHEIBE	ARANDELA
45	409150	8	ROSETTA 5X11X1 UNI 6592 ZINC	WASHER	RONDELLE	UNTERLAGSCHEIBE	ARANDELA
46	409156	4	ROSETTA 6x12x1,6 UNI 6592 ZINC	WASHER	RONDELLE	UNTERLAGSCHEIBE	ARANDELA
47	409175	1	ROSETTA 8x17x1,6 UNI 6592 ZINC.	WASHER	RONDELLE	UNTERLAGSCHEIBE	ARANDELA
48	409176	26	ROSETTA 8x17x1.6 UNI 6592 OTTONE	WASHER	RONDELLE	UNTERLAGSCHEIBE	ARANDELA
49	409198	6	ROSETTA 10x21x2 UNI 6592 OTTONE	WASHER	RONDELLE	UNTERLEGSCHIEBE	ARANDELA
50	409340	1	ROSETTA DENT. EST. D.8 DIN 6798 ZINC	LOCK WASHER	RONDELLE FREIN	ZAHNSCHEIBE	ARANDELA DENTADA
51	409154	4	ROSETTA GROWER 5x1,6 ZINC	WASHER	RONDELLE	UNTERLAGSCHEIBE	ARANDELA
52	409164	4	ROSETTA GROWER 6x2,5x1,8 ASA B27 ZINC	LOCK WASHER	RONDELLE FREIN	ZAHNSCHEIBE	ARANDELLA DENTADA
53	409181	4	ROSETTA GROWER 8x13x2,2 ZINC	LOCK WASHER	RONDELLE FREIN	ZAHNSCHEIBE	ARANDELLA DENTADA
54	415917	2	ROSETTA M3 UNI 6592 ZINC	WASHER	RONDELLE	UNTERLAGSCHEIBE	ARANDELA
55	442224	4	SCHEDA FANALE LED B/B 0-COM-74-54-BB-V1	HEAD LIGHT	PROJECTEUR	ARBEITSLICHT	FARO
56	442225	2	SCHEDA FANALE LED B/R 0-COM-74-45-BR-V1	HEAD LIGHT	PROJECTEUR	ARBEITSLICHT	FARO
57	455327	2	SCHEDA FUNZIONI 7CFX3020	CONTROL CARD	PLAQUE CONTR	SCHALTUNGEN	CONTROL MANDOS
58	448712	1	SCHEDA LED COMMUTATORE C85 2018	LED CARD	LED CARD	LED KARTE	FICHA LED
59	203405	1	STAFFA 3 TELERUTTORI OMNIA 32	SUPPORT	SUPPORT	HALTERUNG	SUPORTE
60	455056	5	STAFFA SUP. CONNETTORE SCHEDA MOTORI	SUPPORT	SUPPORT	HALTERUNG	SOPORTE
61	435484	3	STAFFA SUPPORTO FUSIBILE	SUPPORT	ATTAQUE	HALTERUNG	SOPORTE FIJADOR
62	436808	1	SUPPORTO CICALINO MXR EM	SUPPORT	ATTAQUE	HALTERUNG	SOPORTE FIJADOR
63	432576	2	SUPPORTO DISSIPATORE TERMICO ULTRA 120	DIFFUSION SUPPORT	SUPPORT DIFFUSION	HALTERUNG VERBREITUNG	SOPORTE DIFUSION
64	455328	1	SUPPORTO IMPIANTO ELETTRICO C120	SUPPORT	SUPPORT	HALTERUNG	SOPORTE
65	441772	1	TAPPO COPERTURA FORO RFID RAL 7016	COVER	COUVERCLE	DECKEL	TAPA
66	409831	5	TAPPO SALVAFILETTO D=11.5	COVER	COUVERCLE	DECKEL	TAPA
67	409832	6	TAPPO SALVAFILETTO D=14.5	CAP	CAPUCHON	KAPPE	TAPON
68	407587	3	TELERUTTORE 36V SW80-65	REMOTE CONTROL SWITCH	TELERUPTEUR	SCHÜTZ	TELERRUPTOR
69	408867	2	VITE D.2,9X19 AUTOF. NICH UNI 6954	SCREW	VIS	SCHRAUBE	TORNILLO
70	415869	6	VITE D.3,5X16 TSPTC AUTOF. UNI 6955 NERA	SCREW	VIS	SCHRAUBE	TORNILLO

CR-14 GR. IMP. ELETT. C120 B BRIGHT

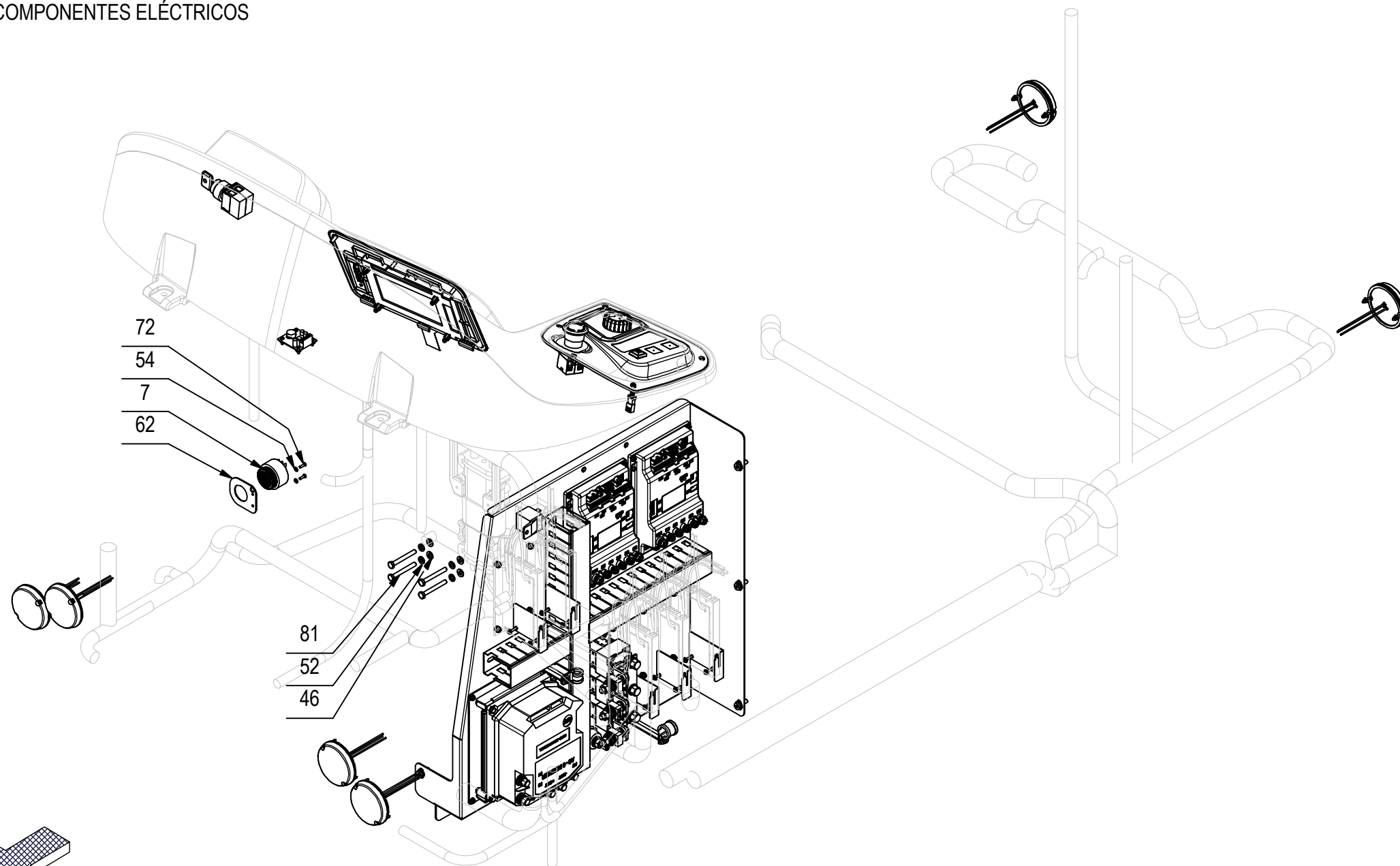
ELECTRIC COMPONENTS

COMPOSANTS ELECTRIQUES

ELEKTROTEILE

COMPONENTES ELÉCTRICOS

14



CR-14 GR. IMP. ELETT. C120 B BRIGHT

14

POS	CODICE	QTÀ	DESCRIZIONE	DESCRIPTION	DESIGNATION	BEZEICHNUNG	DESCRIPCÓN
71	408840	8	VITE D.3,5X25 TCTC AUTOF. UNI 7981 PLAST	SCREW	VIS	SCHRAUBE	TORNILLO
72	408838	2	VITE M3x10 TCTC UNI 7687 ZINC	SCREW	VIS	SCHRAUBE	TORNILLO
73	408835	14	VITE M3x25 TCTC UNI 7687 ZINC	SCREW	VIS	SCHRAUBE	TORNILLO
74	415780	6	VITE M4X6 TCTC UNI 7687 INOX A2	SCREW	VIS	SCHRAUBE	TORNILLO
75	408846	25	VITE M4X16 TCTC UNI 7687 ZINC	SCREW	VIS	SCHRAUBE	TORNILLO
76	408854	4	VITE M5X16 TCTC UNI EN ISO 704	SCREW	VIS	SCHRAUBE	TORNILLO
77	438302	3	VITE M5x16 TSPTC UNI 7688 ZINC. NERO	SCREW	VIS	SCHRAUBE	TORNILLO
78	407653	4	VITE M5X50 TE UNI 5739 INOX A2	SCREW	VIS	SCHRAUBE	TORNILLO
79	451254	5	VITE M6x16 TCEI ZIGRINATURA SOTTOTESTA	SCREW	VIS	SCHRAUBE	TORNILLO
80	408651	2	VITE M6x35 TE UNI 5739 ZINC	SCREW	VIS	SCHRAUBE	TORNILLO
81	408656	4	VITE M6X50 TE UNI 5739 ZINC	SCREW	VIS	SCHRAUBE	TORNILLO
82	408669	1	VITE M8x16 TE UNI 5739 ZINC	SCREW	VIS	SCHRAUBE	TORNILLO
83	408692	3	VITE M8X50 TE UNI 5739 ZINC	SCREW	VIS	SCHRAUBE	TORNILLO
84	440883	6	VITE UNI 9707-Pz-TZ D.3 x 10 ZINC.	SCREW	VIS	SCHRAUBE	TORNILLO
85	454354	1	LINEA PRINCIPALE C120 B	CABLE	CABLE	KABEL	CABO
92	455141	1	CAVI BATTERIA C120 B	CABLE	CABLE	KABEL	CABO
91	455134	1	CAVI ATTUATORE TERGIPAVIMENTO C120B	CABLE	CABLE	KABEL	CABO
90	455140	1	CAVI ALIM. IMPIANTO C120 B	CABLE	CABLE	KABEL	CABO
89	455136	1	CAVI ALIM. SCHEDA FUNZIONI RULLO C120 B	CABLE	CABLE	KABEL	CABO
88	455138	1	CAVI ALIM. SCHEDA CHOPPER C120 B	CABLE	CABLE	KABEL	CABO
87	455139	1	CAVI ALIM. SCHEDA FUNZIONI C120 B	CABLE	CABLE	KABEL	CABO
86	454358	1	LINEA CRUSCOTTO C120 B -BRIGHT-	CABLE	CABLE	KABEL	CABO

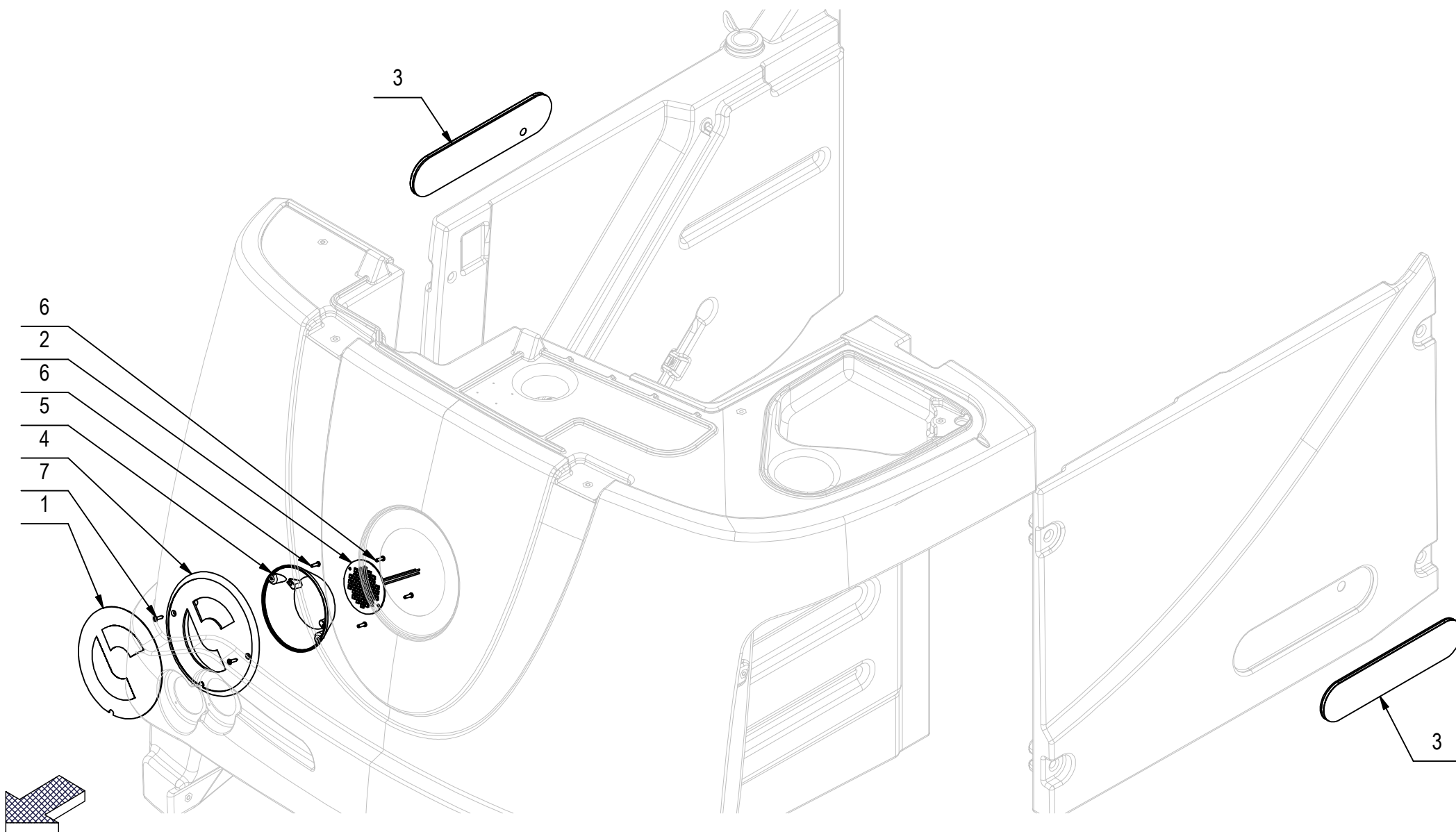
CR-16 KIT FARO E SCRITTE LUMINOSE C120

FRONT & SIDE LOGO KIT

KIT DE PHARES ÉCRITE ET LUMINEUX

SCHRIFTLICHE UND HELLE SCHEINWERFER KIT

KIT LINTERNA ESCRITO Y BRILLANTE



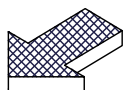
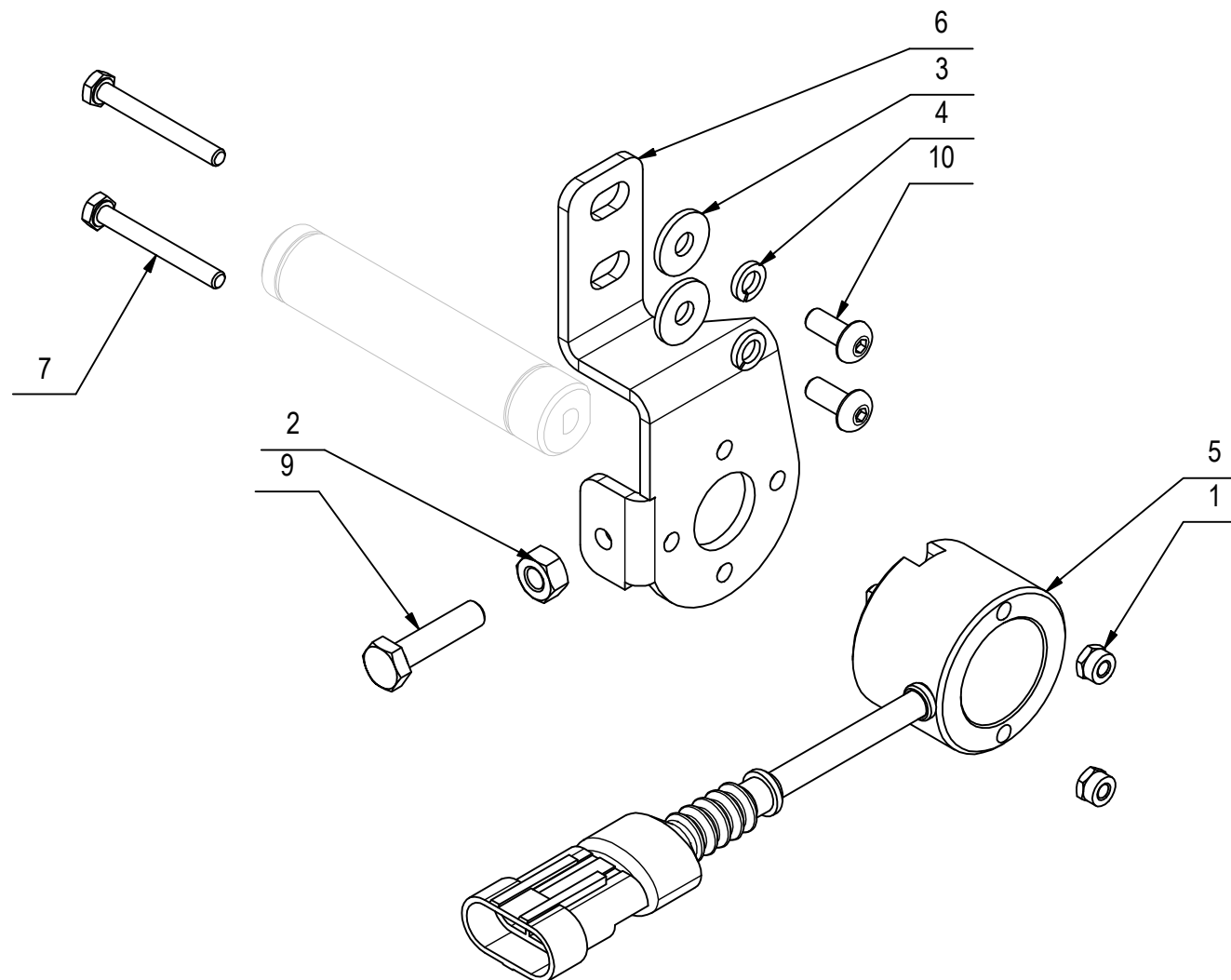
CR-16 KIT FARO E SCRITTE LUMINOSE C120

16

POS	CODICE	QTÀ	DESCRIZIONE	DESCRIPTION	DESIGNATION	BEZEICHNUNG	DESCRPCIÓN
1	449347	1	LOGO C TRASPARENTE C85 2018	DECAL	ETIQUETTE	SCHILD	ETIQUETA
2	442224	1	SCHEDA FANALE LED B/B 0-COM-74-54-BB-V1	HEAD LIGHT	PROJECTEUR	ARBEITSLICHT	FARO
3	449348	2	SCRITTA LATERALE LUMINOSA COMAC	DECAL	ETIQUETTE	SCHILD	ETIQUETA
4	449365	1	SUPPORTO LOGO C ILLUMINATO C85 2018	SUPPORT	SUPPORT	HALTERUNG	SUPORTE
5	449366	1	SUPPORTO SCHEDA LOGO C ILLUM. C85 2018	BOARD SUPPORT	SUPPORT DE LA PLATINE	BOARD SUPPORT	SOPORTE DE JUNTA
6	440580	4	VITE AUTOF. 3.5x12 x PLASTICA SP. NERA	SCREW	VIS	SCHRAUBE	TORNILLO
7	415869	2	VITE D.3,5X16 TSPTC AUTOF. UNI 6955 NERA	SCREW	VIS	SCHRAUBE	TORNILLO

CR-18 KIT SENSORE DI PRESSIONE C120

PRESSURE SENSOR KIT
KIT CAPTEUR DE PRESSION
DRUCK-SENSOR-KIT
KIT DE SENSORES DE PRESIÓN

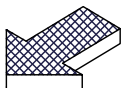
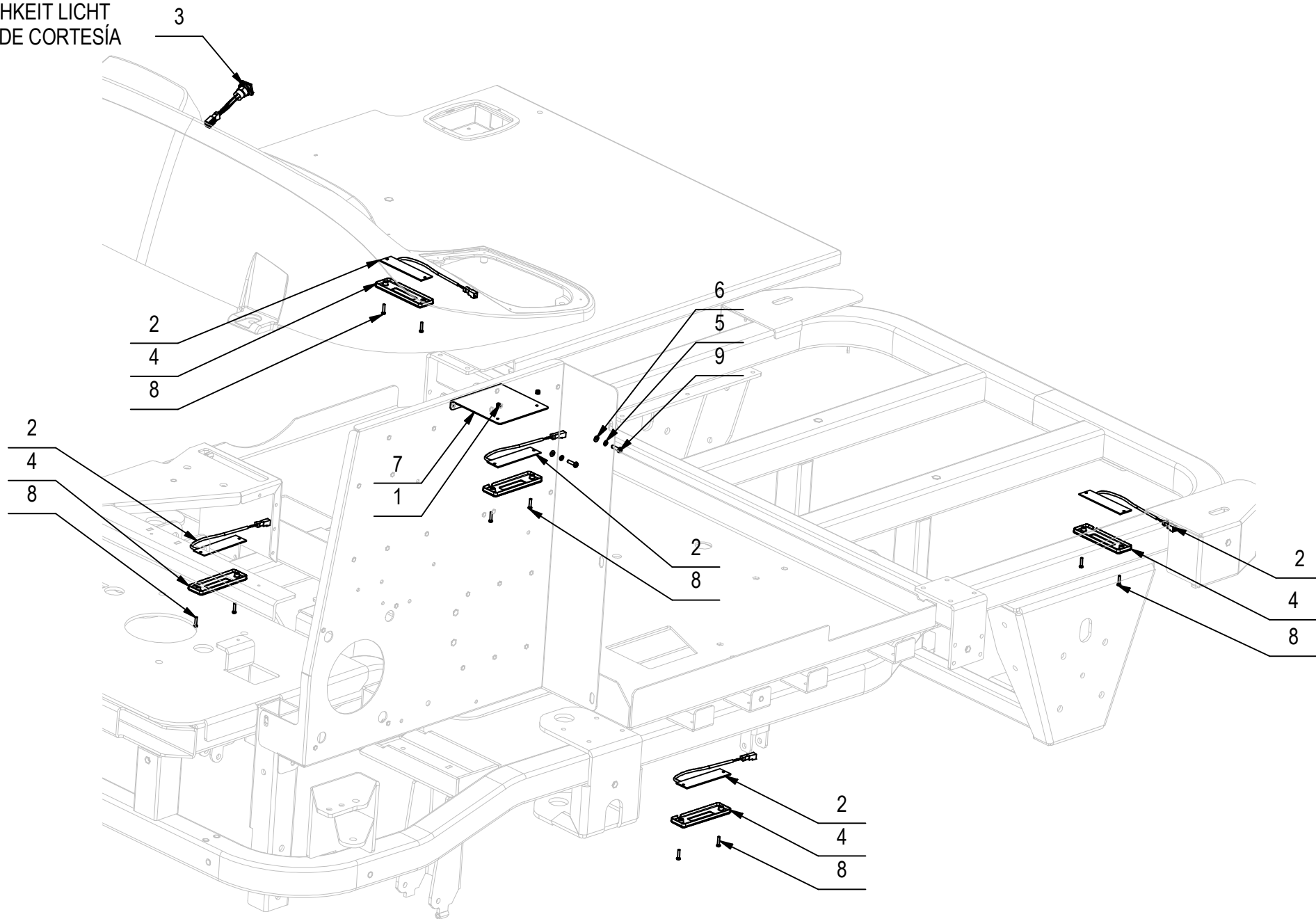


CR-18 KIT SENSORE DI PRESSIONE C120

POS	CODICE	QTÀ	DESCRIZIONE	DESCRIPTION	DESIGNATION	BEZEICHNUNG	DESCRPCIÓN
1	415898	2	DADO M4 AUTOBL UNI7474	LOCK NUT	ECROU AUTOBLOQUANT	STOPMUTTER	TUERCA AUTOBLOCANTE
2	409040	1	DADO M6x5 UNI 5588 ZINC	NUT	ECROU	MUTTER	TUERCA
3	409151	2	ROSETTA 5,5x15x1.5 UNI 6593 ZINC	WASHER	RONDELLE	UNTERLAGSCHEIBE	ARANDELA
4	409154	2	ROSETTA GROWER 5x1,6 ZINC	WASHER	RONDELLE	UNTERLAGSCHEIBE	ARANDELA
5	449178	1	SENSORE ANGOLARE AA020575-20	ANGULAR SENSOR	CAPTEUR ANGULAIRE	ECKIGE SENSOR	SENSOR ANGULAR
6	455333	1	SUPPORTO SENSORE ANGOLARE C120	SUPPORT	SUPPORT	HALTERUNG	SOPORTE
7	415713	2	VITE M4x35 TE UNI 5739 ZINC.	SCREW	VIS	SCHRAUBE	TORNILLO
9	407669	1	VITE M6x25 TE UNI 5739 ZINC	SCREW	VIS	SCHRAUBE	TORNILLO
10	425203	2	VITE M5x12 TBEI UNI 7380 ZINC	SCREW	VIS	SCHRAUBE	TORNILLO

CR-19 KIT LUCI DI CORTESIA C120

KIT COURTESY LIGHTS
KIT FEUX DE COURTOISIE
KIT HÖFLICHKEIT LICHT
KIT LUCES DE CORTESÍA



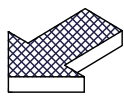
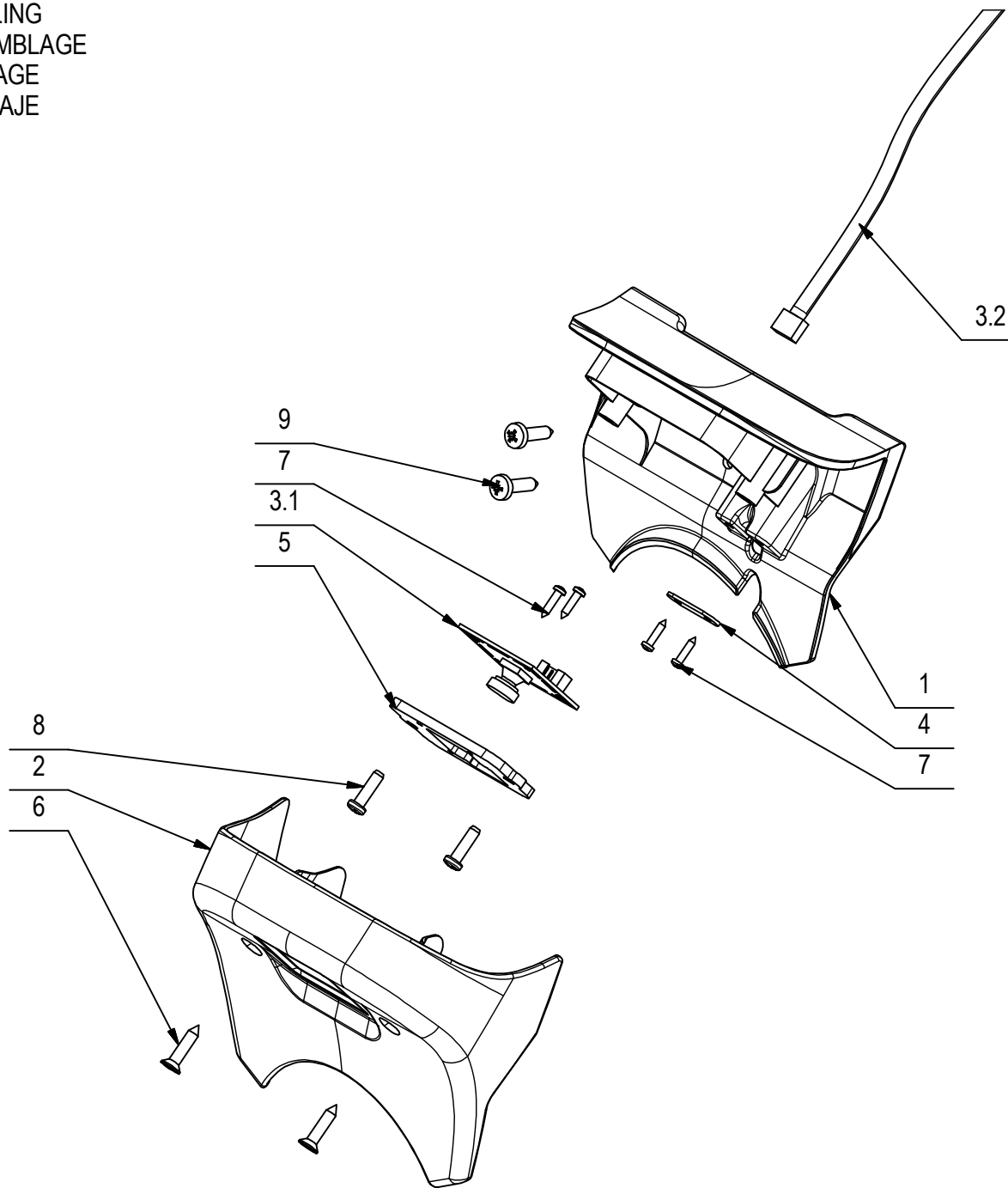
CR-19 KIT LUCI DI CORTESIA C120

19

POS	CODICE	QTÀ	DESCRIZIONE	DESCRIPTION	DESIGNATION	BEZEICHNUNG	DESCRPCIÓN
1	409077	2	DADO M3x4,5 AUTOBL. UNI 7474 ZINC	LOCK NUT	ECROU AUTOFREINES	SICHERUNGSMUTTER	TUERCA AUTOBLOCANTE
2	447355	5	FANALE LED 24-36V - 91x23.5x3 + CONNETT.	LED LIGHTS	FEUX LED	LED-AMPEL	FAROS LED
3	443044	1	INTERR. LED VERDE APEM IRC1F422L0G+CONN.	SWITCH	INTERRUPTEUR	SCHALTER	INTERRUPTOR
4	446780	5	MASCHERA FARO LED RECUPERO MAGNA 2017	LIGHT MASK	PHARES MASQUE	SCHEINWERFER MASK	FARO MASCARA
5	415941	2	ROSETTA 4 UNI1751 ZINC GROWER	LOCK WASHER	RONDELLE FREIN	ZAHNSCHEIBE	ARANDELLA DENTADA
6	409142	2	ROSETTA 4x9x0,8 UNI 6592 ZINC	WASHER	RONDELLE	UNTERLAGSCHEIBE	ARANDELA
7	455334	1	STAFFA LUCE DI CORTESIA C120	SUPPORT	ATTAQUE	HALTERUNG	SOPORTE FIJADOR
8	408832	10	VITE M3x14 TCTC UNI 7687 ZINC	SCREW	VIS	SCHRAUBE	TORNILLO
9	408846	2	VITE M4X16 TCTC UNI 7687 ZINC	SCREW	VIS	SCHRAUBE	TORNILLO

CR-20 KIT TELECAMERA POST. C85 2018

REAR CAMERA PRE-ASSEMBLING
CAMÉRA ARRIÈRE PRÉ-ASSEMBLAGE
HINTERE KAMERA VORMONTAGE
CÁMARA TRASERA PREMONTAJE



CR-20 KIT TELECAMERA POST. C85 2018

20

POS	CODICE	QTÀ	DESCRIZIONE	DENOMINATION	DESCRIPTION	BENENNUNG	DESCRIPCION
1	448575	1	COVER POSTERIORE VIDEOCAMERA C85 2018	CAMERA CASE	CARTER DU CAMERA	KAMERAMANTELUNG	ENCOLTURA DE CAMERA
2	448576	1	COVER ANT. VIDEOCAMERA C85 2018 +VETRINO	CAMERA CASE	CARTER DU CAMERA	KAMERAMANTELUNG	ENCOLTURA DE CAMERA
3	228221	1	TELECAMERA ELP-USB30W02M-MHV120 COMPL.	CAMERA WITH CABLE	CAMERA AVEC CABLE	KAMERA MIT KABLE	CAMERA Y CABO
3.1	448784	1	TELECAMERA ELP-USB30W02M-MHV120	CAMERA	CAMERA	KAMERA	CAMERA
3.2	448785	1	TELECAMERA ELP-USB30W02M-MHV120 CAVO	CABLE	CABLE	KABLE	CABO
4	448782	1	PIASTRINA COVER VIDEOCAMERA C85 2018	SUPPORT	SUPPORT	HALTERUNG	SOPORTE
5	448781	1	PIASTRINA SUPP. TELECAMERA C85 2018	SUPPORT	SUPPORT	HALTERUNG	SOPORTE
6	415869	2	VITE D.3,5X16 TSPTC AUTOF. UNI 6955 NERA	SCREW	VIS	SCHRAUBE	TORNILLO
7	428629	4	VITE AUTOF. 2,2X9,5 UNI 6954 ZINC TCTC	SCREW	VIS	SCHRAUBE	TORNILLO
8	440580	2	VITE AUTOF. 3.5x12 x PLASTICA SP. NERA	SCREW	VIS	SCHRAUBE	TORNILLO
9	408872	2	VITE D.3.9x16 AUTOF. NICHUNI 6954	SCREW	VIS	SCHRAUBE	TORNILLO

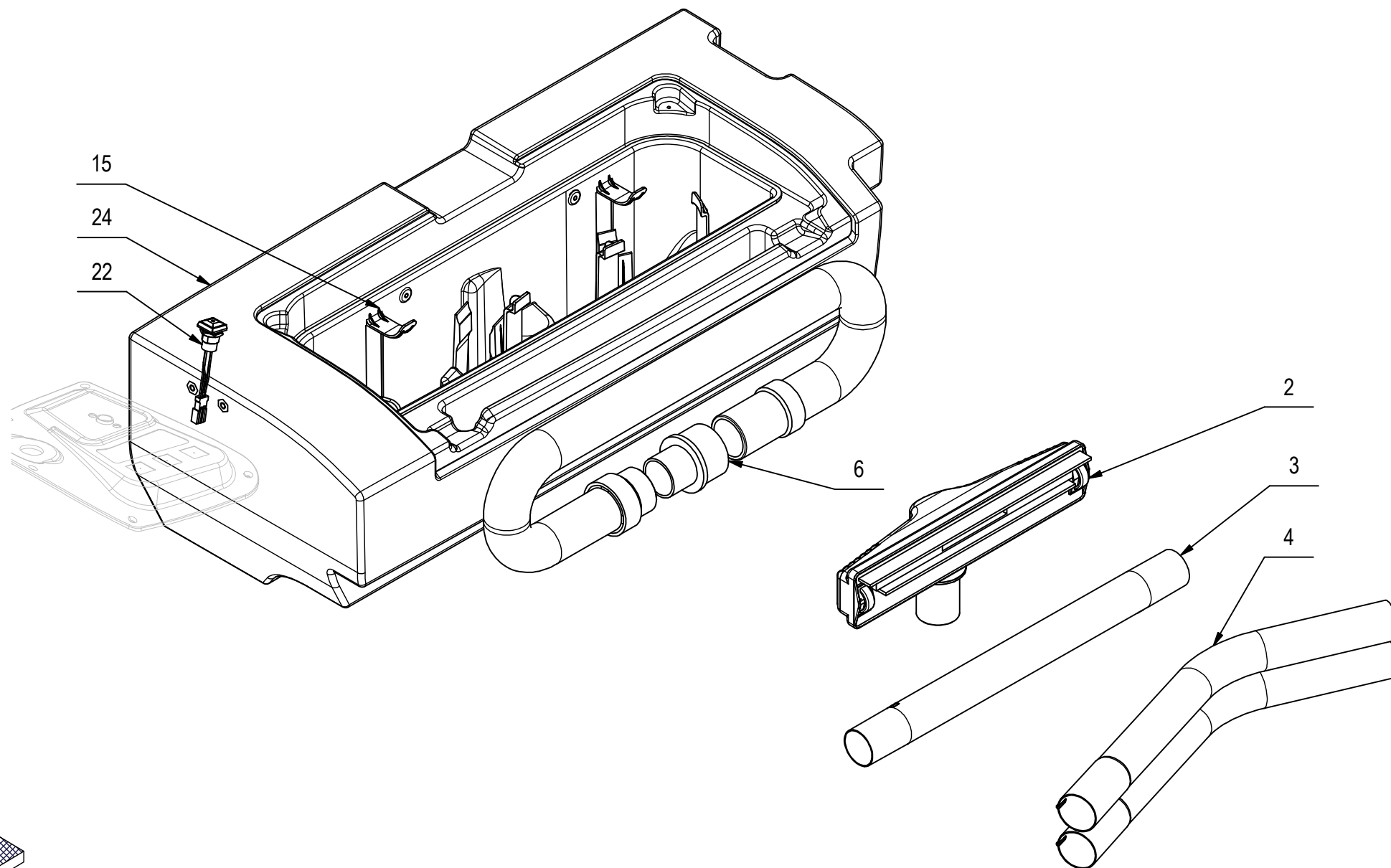
CR-24 KIT LANCIA ASPIRALIQUIDI C120 B

VACUM WAND KIT

KIT D'ASPIRATION LANCE

SAUGLANZEN-KIT

KIT DE ASPIRACION DE LA LANZA



CR-24 KIT LANCIA ASPIRALIQUIDI C120 B

24

POS	CODICE	QTÀ	DESCRIZIONE	DENOMINATION	DESCRIPTION	BENENNUNG	DESCRIPCION
22	443044	1	INTERR. LED VERDE APEM IRC1F422L0G+CONN.	SWITCH	INTERRUPTEUR	SCHALTER	INTERRUPTOR
6	447701	1	MANICOTTO RIDUZ. d=40 D=52 NYLON NERO	REDUCTION	REDUCTION	REDUZIERSTÜCK	REDUCCION
15	231889	1	PORTA KIT LANCIA C120 FORATO	WET KIT SUPPORT	SUPPORT KIT HUMIDE	NASS-KIT SUPPORT	SOPORTE KIT MOJADO
2	446962	1	SPAZZOLA L300 SPIVAL USCITA DIRITTA	BRUSH	BROSSE	BÜRSTE	CEPILLO
4	445636	2	TUBO CURVA KIT ASPIRAZIONE	PIPE	TUBE	ROHR	TUBO
3	445637	1	TUBO DRITTO KIT ASPIRAZIONE	PIPE	TUBE	ROHR	TUBO
5	446963	1	TUBO ESTENSIBILE d=35 L=650	PIPE	TUBE	ROHR	TUBO
24	454990	1	VANO PORTA LANCIA C120 RAL 7030	GLOVE COMPARTMENT	BOITE A GANTS	HANDSCHUHFACH	GUANTERA
25	415952	4	RIVETTO 6.4X10 NYLON	RIVET	RIVET	NIET	CLAVO
26	408856	4	VITE M5x25 TCTC UNI 7687 ZINC	SCREW	VIS	SCHRAUBE	TORNILLO

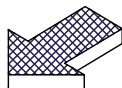
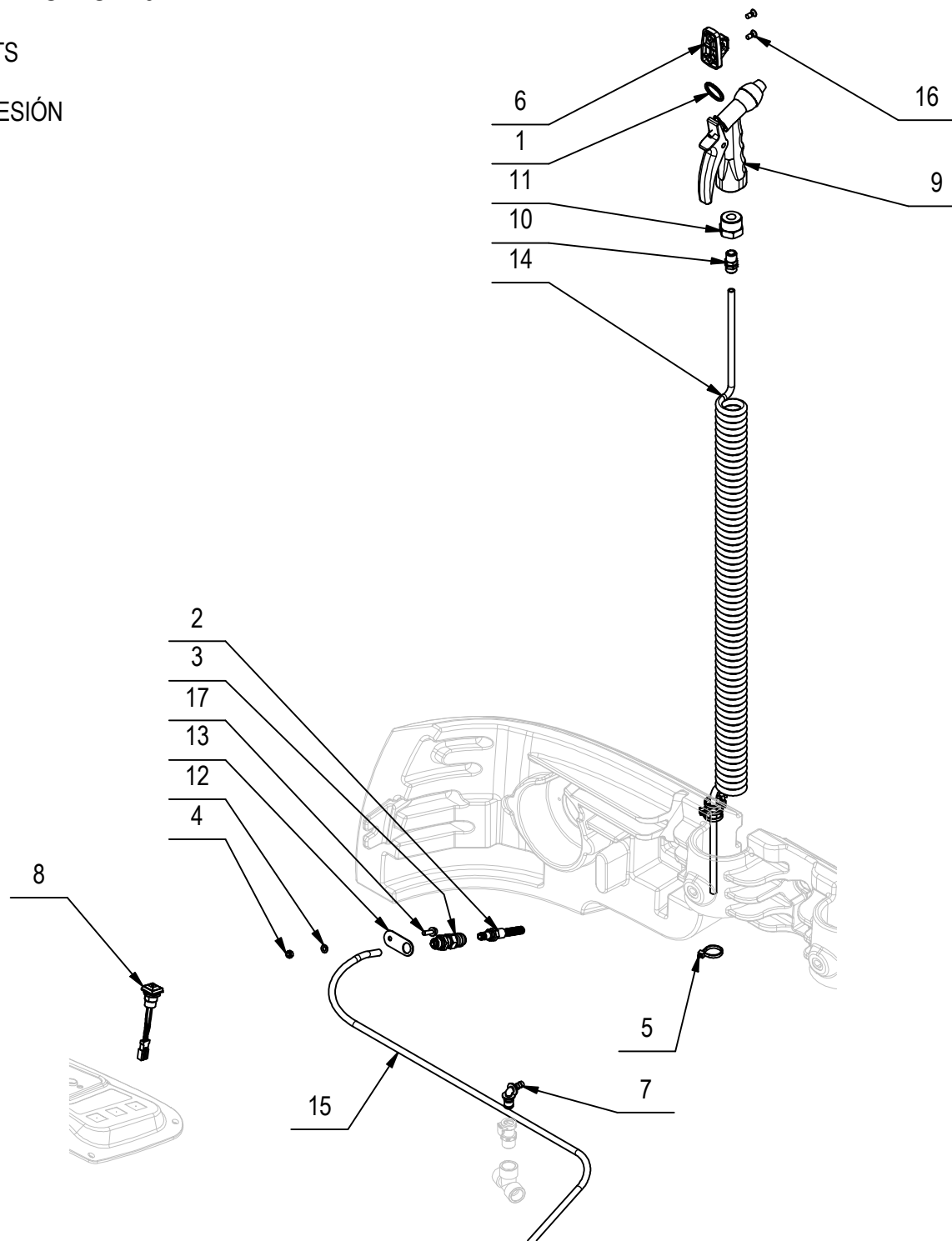
CR-25 KIT PISTOLA IDROPULTRICE C120

PRESSURE WASHER GUN KITS

RONDELLE DE PRESSION PISTOLET KITS

DRUCK-WASCHMASCHINE-GUN-KITS

KITS DE PISTOLA DE ARANDELA DE PRESIÓN



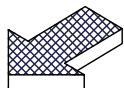
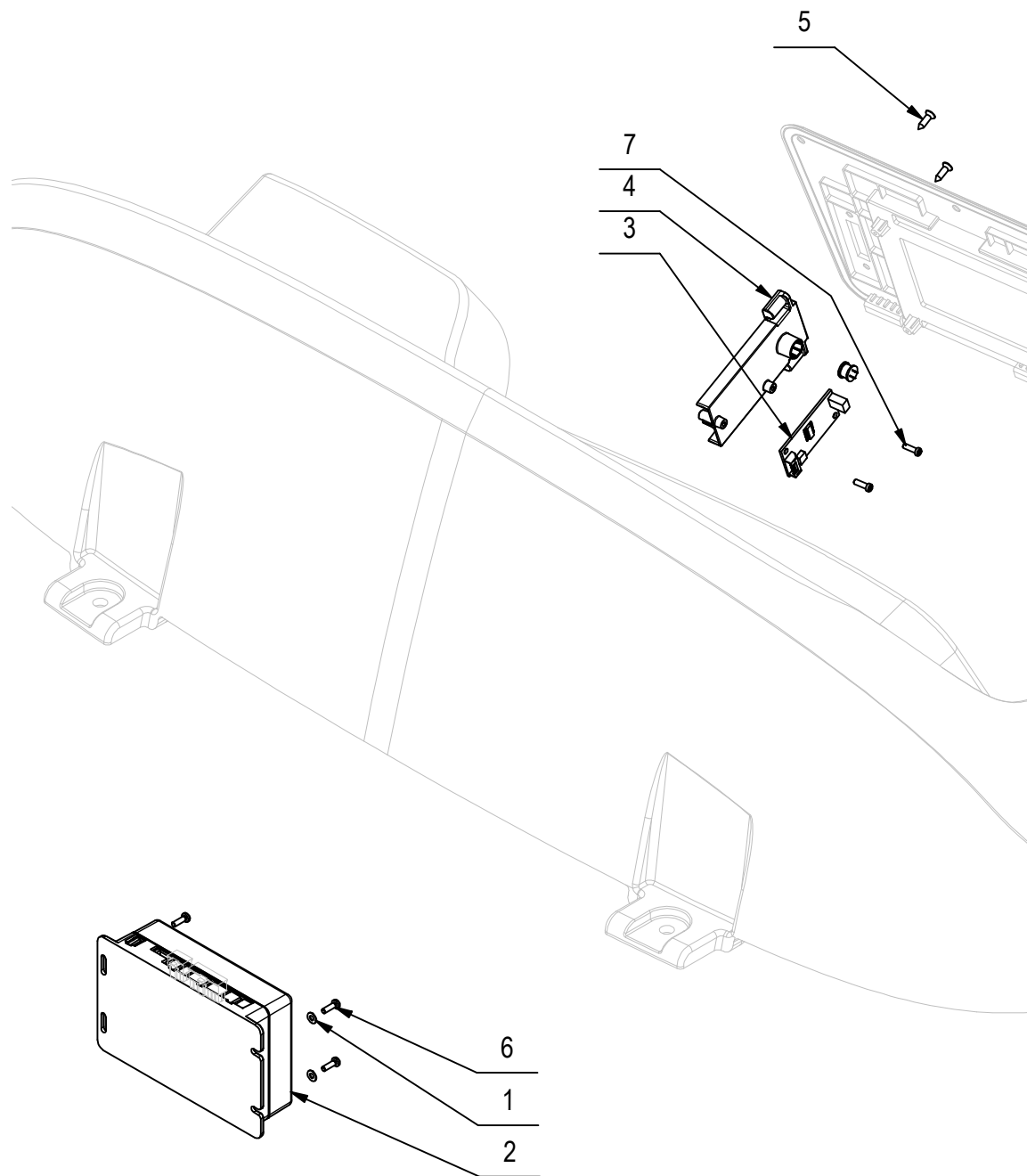
CR-25 KIT PISTOLA IDROPULTRICE C120

25

POS	CODICE	QTÀ	DESCRIZIONE	DESCRIPTION	DESIGNATION	BEZEICHNUNG	DESCRIPCÓN
1	447453	1	ANELLO DIAMETRO ESTERNO D=30	RING	ANNEAU	RING	ANILLO
2	416922	1	ATT.RAP.MASCH.IN ACC.xTUBO 6x8 COMPLETO	STAINLESS STEEL QUICK COUPLING	RACCORD RAPIDE EN ACIER INOXYDABLE	EDELSTAHL-SCHNELLKUPPLUNG	ACOPLE RÁPIDO ACERO INOXIDABLE
3	416921	1	ATTACCO RAPIDO FEMM. PASSAPARETE 6x8	QUICK ATTACK	ATTAQUE RAPIDE	SCHNELLEN ANGRIFF	ATAQUE RÁPIDO DE LA
4	416781	1	DADO M5X5 AUTOBL. UNI 7473 ZINC	LOCK NUT	ECROU AUTOFREINES	SICHERUNGSMUTTER	TUERCA AUTOBLOCANTE
5	410275	4	FASCETTA PLASTICA 3,6x140 BIANCA	CLAMP	COLLIER	BRIDE	ABRAZADERA
6	450976	1	GANCIO SUPPORTO PISTOLA ANTISGANCIO	SUPPORT	SUPPORT	HALTERUNG	SOPORTE
7	423592	1	INNESTO RAPIDO M. 1/4" 90° CPC APC23004	MALE COUPLING	EMBAYAGE MALE	KUPPLUNG MIT ZAPFEN	ACOPLAMIENTO MACHO
8	443044	1	INTERR. LED VERDE APEM IRC1F422L0G+CONN.	SWITCH	INTERRUPTEUR	SCHALTER	INTERRUPTOR
9	446992	1	PISTOLA CON UGELLO REGOLABILE	WATER GUN	PISTOLET A' EAU	WASSERPISTOLE	PISTOLA DE AGUA
10	447364	1	RACCORDO PORTA TUBO Ø8/6 x 1/4"M (1511)	FITTING	RACCORD	VERSCHRAUBUNG	RACOR
11	447363	1	RACCORDO RIDUZ. 3/4"M - 1/4"F NICHELATO	FITTING	RACCORD	VERSCHRAUBUNG	RACOR
12	409150	1	ROSETTA 5X11X1 UNI 6592 ZINC	WASHER	RONDELLE	UNTERLAGSCHEIBE	ARANDELA
13	452903	1	SUPPORTO ELETTROVALVOLA DISINFECTOR	SUPPORT	SUPPORT	HALTERUNG	SOPORTE
14	444959	1	TUBO A MOLLA D=8 d=5,5 L=7500 PU FLEX	PIPE	TUBE	ROHR	TUBO
15	231874	1	TUBO POLIURETANO LONGLIFE D=8 d=6 L=1230	PIPE	TUBE	ROHR	TUBO
16	415750	2	VITE M5X12 TSPTC UNI 7688 (4.8) ZINC.	SCREW	VIS	SCHRAUBE	TORNILLO
17	450350	1	VITE M5x16 TCEI ZIGRINATURA SOTTOTESTA	SCREW	VIS	SCHRAUBE	TORNILLO

CR-26 KIT CFC C120

FLEET MANAGEMENT
GESTION DE FLOTTE
FLOTTENMANAGEMENT
GESTIÓN DE FLOTAS



CR-26 KIT CFC C120

26

POS	CODICE	QTÀ	DESCRIZIONE	DESCRIPTION	DESIGNATION	BEZEICHNUNG	DESCRPCIÓN
1	415917	4	ROSETTA M3 UNI 6592 ZINC	WASHER	RONDELLE	UNTERLAGSCHEIBE	ARANDELA
2	231775	1	SCHEDA CONTROLLO REMOTO CFC 3.0	CONTROL BOARD WIFI GSM-GPS 3.0	COMMISSION DE CONTRÔLE DE WIFI GSM-GPS	STEUERELEMENT-KARTE WIFI GSM-GPS 3.0	CONTROL DE LA JUNTA WiFi GSM-GPS 3.0
3	441784	1	SCHEDA-RICEVITORE RFID	CARD-RECEIVER RFID	CARTE-RÉCEPTEUR RFID	CARD-EMPFÄNGER RFID	RFID CARD-RECEPTOR
4	441783	1	SUPPORTO CHIAVE E SCHEDA RFID	KEY HOLDER AND CARD RFID	PORTE-CLÉS ET CARTE RFID	SCHLÜSSELANHÄNGER UND RFID-KARTE	TITULAR DE LA LLAVE Y TARJETA RFID
5	408952	2	VITE DIAM.3,9X13 TPS AUTOF.UNI 6955 NICH	SCREW	SCHRAUBE	VIS	TORNILLO
6	408838	4	VITE M3x10 TCTC UNI 7687 ZINC	SCREW	VIS	SCHRAUBE	TORNILLO
7	440883	2	VITE UNI 9707-Pz-TZ D.3 x 10 ZINC.	SCREW	VIS	SCHRAUBE	TORNILLO

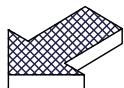
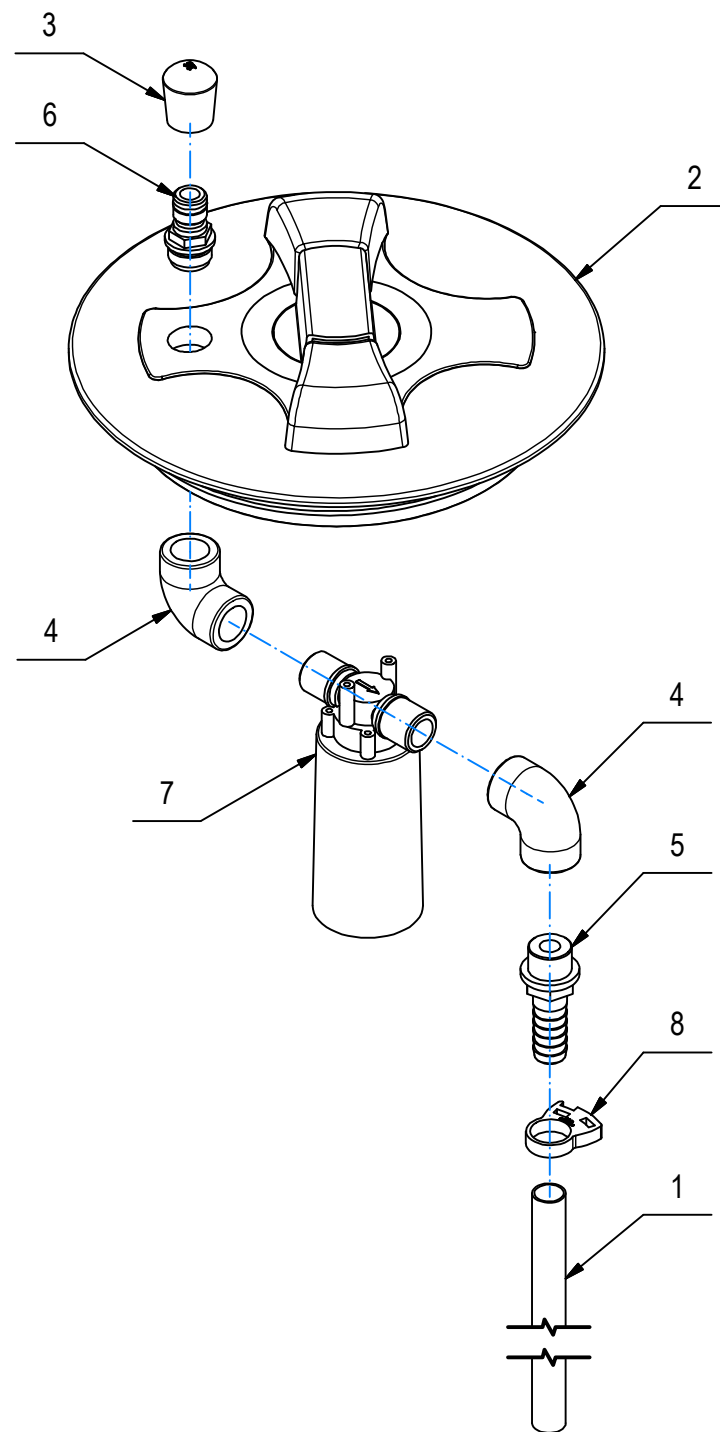
CR-27 KIT CFF C85 2018

KIT FAST FILLING

KIT DE REMPLISSAGE RAPIDE

KIT SCHNELLE FULL

KIT DE RELLENO RAPIDO



CR-27 KIT CFF C85 2018

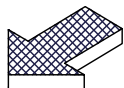
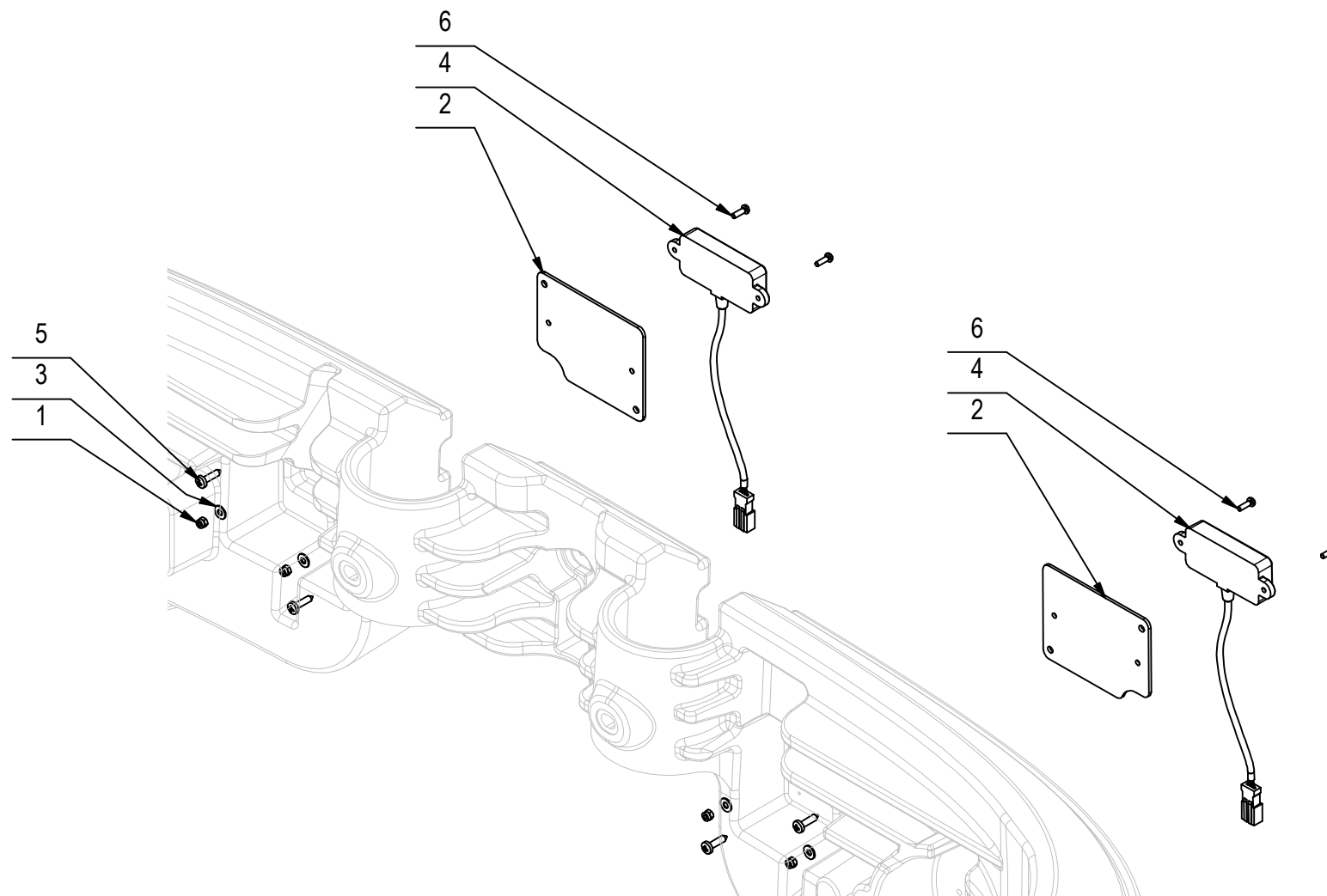
27

POS	CODICE	QTÀ	DESCRIZIONE	DENOMINATION	DESCRIPTION	BENENNUNG	DESCRIPCION
1	209624	1	TUBO DIAM.14X800 PVC SPIR. TRASP.	HOSE	TUYAU	SCHLAUCH	TUBO DE GOMA
2	228813	1	COPERCHIO FILETTATO D=255 FORATO D.21	COVER	COUVERCLE	DECKEL	TAPA
3	409857	1	PIEDINO A CAMPANA DIAM 16 NERO	RUBBER CAP	BOUCHON	GUMMISTOPFEN	TAPON DE GOMA
4	410340	2	RACCORDO A GOMITO 90° 1-2 FF.	ELBOW	COUDE	WINKELVERSCHRAUBUNG	RACOR CODO
5	410371	1	PORTAGOMMA DIRITTO 1/2"x16	CONNECTOR	RACCORD	SCHLAUCHANSCHLUSS	EMPALME TUBO DE GOMA
6	410440	1	INNESTO RAPIDO 1/2" G MASCHIO	MALE COUPLING	EMBAYAGE MALE	KUPPLUNG MIT ZAPFEN	ACOPLAMIENTO MACHO
7	431794	1	GALLEGGIANTE ABERTAX 1/2"	FLOAT	FLOTTEUR	SCHWIMMER	FLOTADOR
8	449737	1	FASCETTA SCATTO HERBIE HCL-H Ø18,1-20,6	CLAMP	COLLIER	BRIDE	ABRAZADERA

CR-28 KIT ANTI COLLISION SYSTEM C120

ANTICOLLISION SYSTEM
SYSTEME ANTICOLLISION
ANTICOLLISIONSISTEM
KIT ANTI COLLISION

28



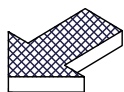
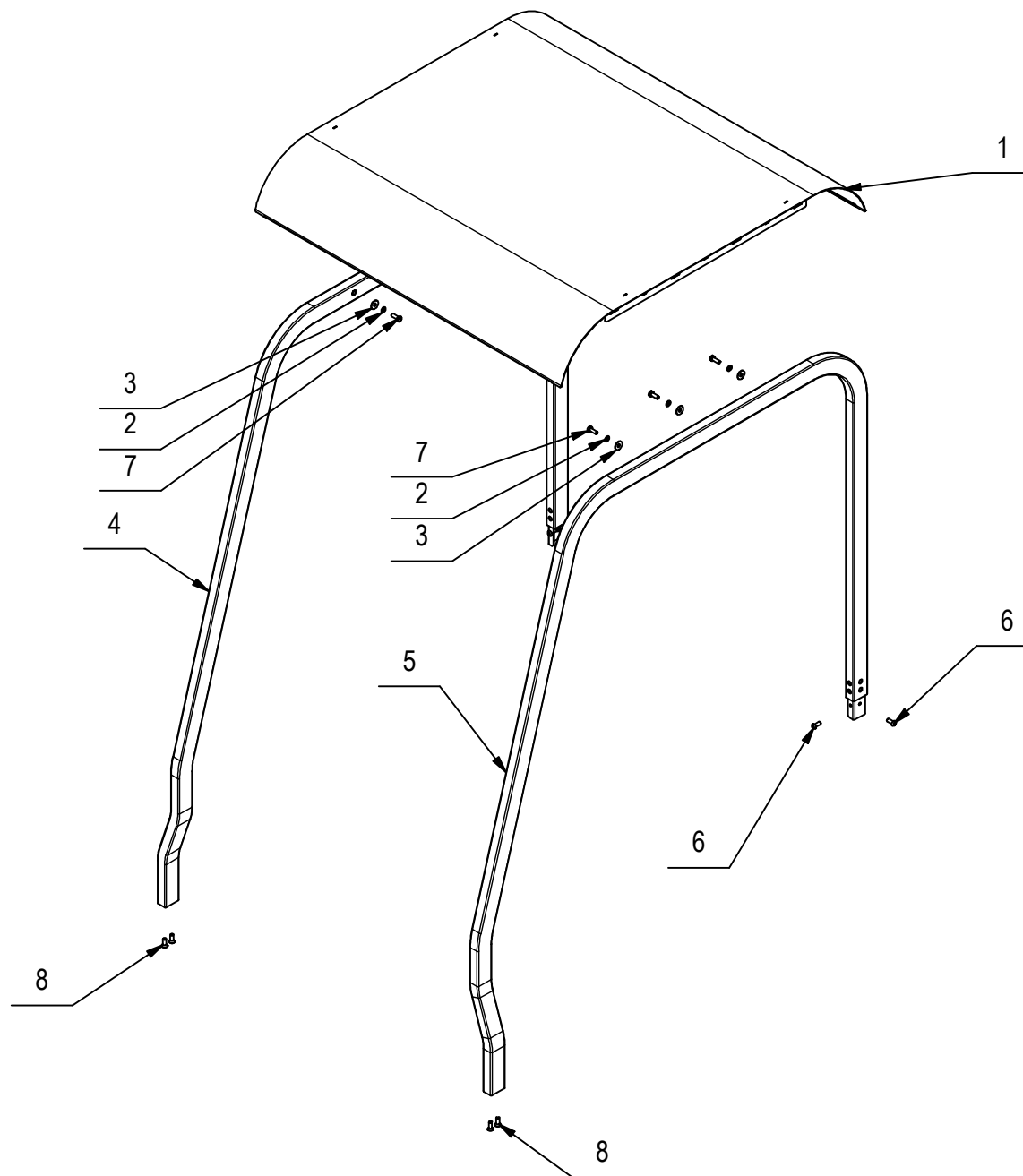
CR-28 KIT ANTI COLLISION SYSTEM C120

28

POS	CODICE	QTÀ	DESCRIZIONE	DESCRIPTION	DESIGNATION	BEZEICHNUNG	DESCRPCIÓN
1	409077	4	DADO M3x4,5 AUTOBL. UNI 7474 ZINC	LOCK NUT	ECROU AUTOFREINES	SICHERUNGSMUTTER	TUERCA AUTOBLOCANTE
2	455330	2	PIASTRA SENSORE SPLIT TYPE C120	PLAQUE	PLAQUE	BEFESTIGUNGSAUFLAGE	PLACA
3	409142	4	ROSETTA 4x9x0,8 UNI 6592 ZINC	WASHER	RONDELLE	UNTERLAGSCHEIBE	ARANDELA
4	454772	2	SENSORE DISTANZA SPLIT TIPE + CONN. JST	DISTANCE SENSOR	CAPTEUR DE DISTANCE	ENTFERNUNGSSENSOR	SENSOR DE DISTANCIA
5	408872	4	VITE D.3,9x16 AUTOF. NICH UNI 6954	SCREW	VIS	SCHRAUBE	TORNILLO
6	408838	4	VITE M3x10 TCTC UNI 7687 ZINC	SCREW	VIS	SCHRAUBE	TORNILLO

CR-29 KIT TETTuccio C120

KIT OPTIONAL ROOF
KIT OPTIONNEL TOIT
KIT OPTION DACH
KIT OPTIONAL DE TECHO



CR-29 KIT TETTUCCIO C120

POS	CODICE	QTÀ	DESCRIZIONE	DESCRIPTION	DESIGNATION	BEZEICHNUNG	DESCRPCIÓN
1	455360	1	COPERTURA TETTUCCIO C120	COVER	COUVERTURE	ABDECKUNG	COBERTURA
2	417997	6	RONDELLA D.8 GROWER ZINCATA	LOCK WASHER	RONDELLE FREIN	ZAHNSCHEIBE	ARANDELLA DENTADA
3	409179	6	ROSETTA 9x24x2,5 UNI 6593 ZINC	WASHER	RONDELLE	UNTERLAGSCHEIBE	ARANDELA
4	455356	1	SUPPORTO DX TETTUCCIO C120	RIGHT SUPPORT	SUPPORT DROITE	RECHTE HALTERUNG	SOPORTE DERECHO
5	455357	1	SUPPORTO SX TETTUCCIO C120	LEFT SUPPORT	SUPPORT GAUCHE	HALTERUNG LINKS	SOPORTE IZQUIERDO
6	425828	4	VITE M8x20 TBEI ISO 7380 A2	SCREW	VIS	SCHRAUBE	TORNILLO
7	408672	6	VITE M8x22 TE UNI 5739 ZINC.	SCREW	VIS	SCHRAUBE	TORNILLO
8	408981	4	VITE M8x22 TPSEI UNI5933 ZINC	SCREW	VIS	SCHRAUBE	TORNILLO

CR-31 KIT PARAURTI ANTERIORE HD C120

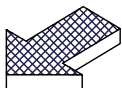
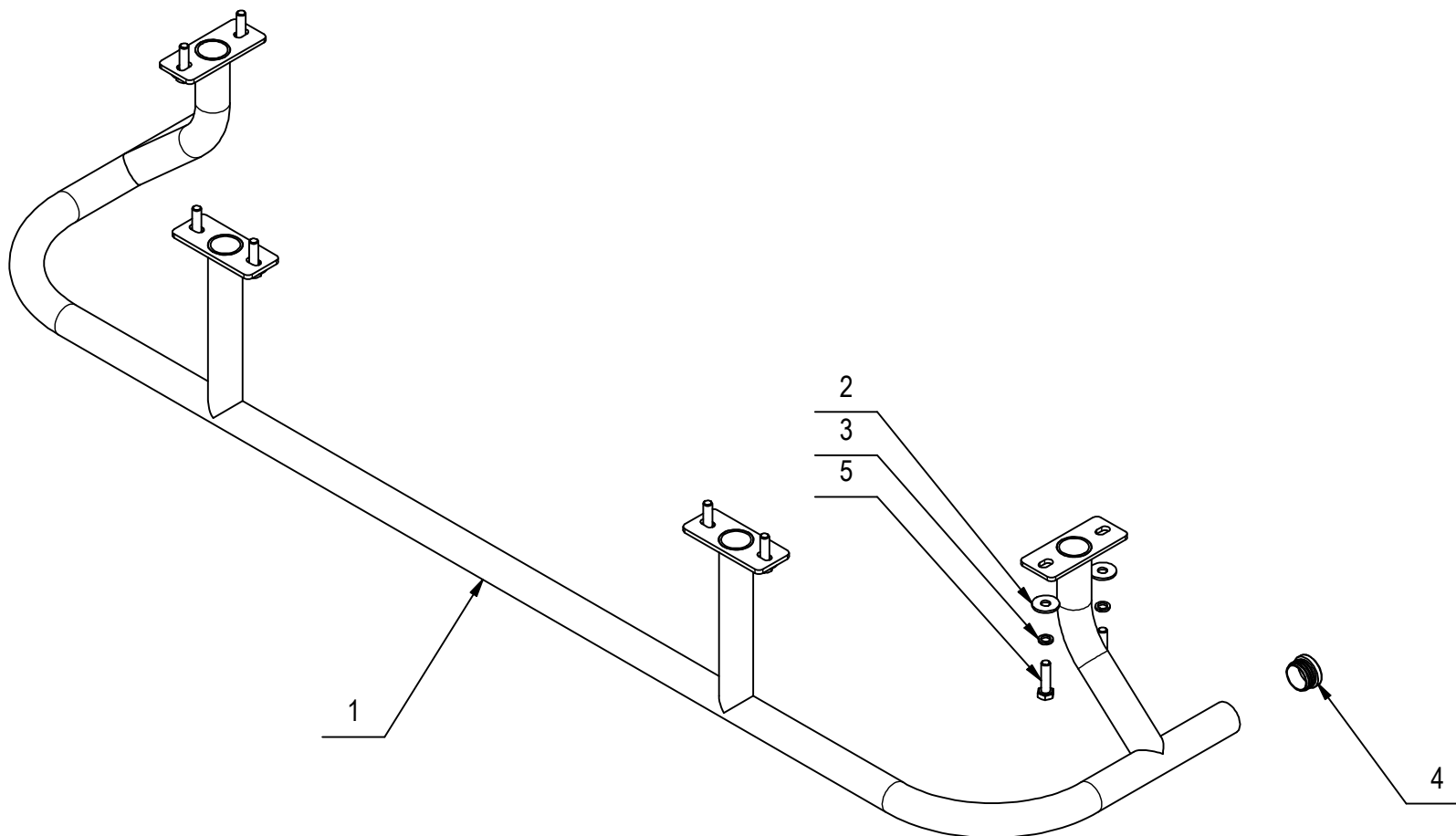
KIT OPTIONAL FRONT BUMPER

KIT OPTIONNEL DE PARE-CHOC AVANT

KIT OPTION STOßSTANGENSATZ VORNE

KIT OPTIONAL DE PARACHOQUES DELANTERO

31



CR-31 KIT PARAURTI ANTERIORE HD C120

31

POS	CODICE	QTÀ	DESCRIZIONE	DESCRIPTION	DESIGNATION	BEZEICHNUNG	DESCRIPCION
1	455353	1	PARAURTI ANTERIORE HD C120	LOW REAR BUMPER	PARE-CHOC AVANT BAS	VORNE NIEDRIGE STOSSSTANGE	PARACHOQUES DELANTERO BAJO
2	409179	8	ROSETTA 9x24x2,5 UNI 6593 ZINC	WASHER	RONDELLE	UNTERLAGSCHEIBE	ARANDELA
3	409181	8	ROSETTA GROWER 8x13x2,2 ZINC	LOCK WASHER	RONDELLE FREIN	ZAHNSCHEIBE	ARANDELLA DENTADA
4	452083	2	TAPPO PER TUBO TONDO D.30 SP.1-2	CAP	CAPUCHON	KAPPE	TAPON
5	408676	8	VITE M8x30 TE UNI 5739 ZINC	SCREW	VIS	SCHRAUBE	TORNILLO

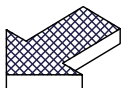
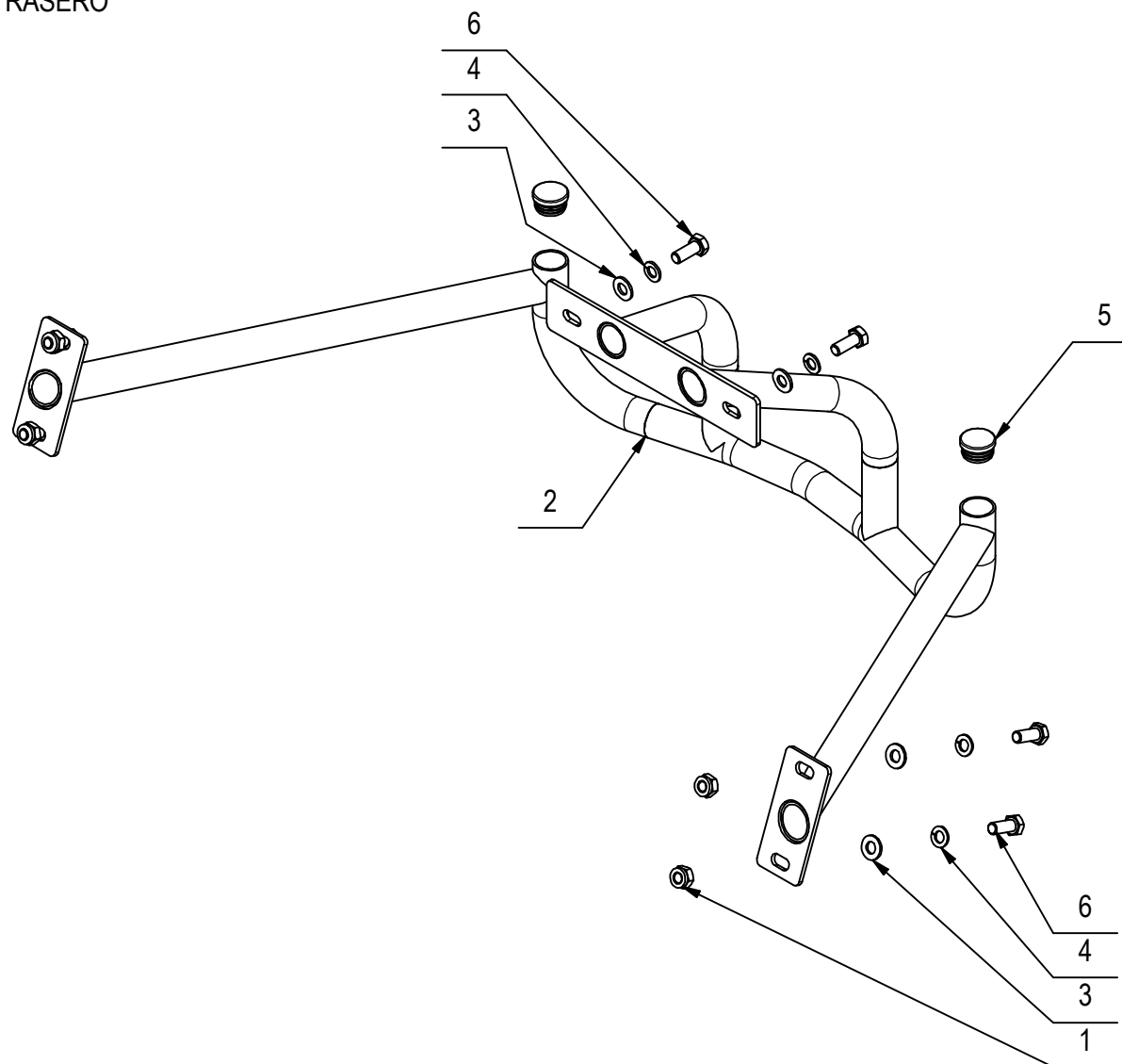
CR-32 KIT PARAURTI POSTERIORE HD C120

KIT OPTIONAL REAR BUMPER

KIT OPTIONNEL DE PARE-CHOC ARRIÈRE

KIT OPTION HECKSTOSSSTANGENSATZ

KIT OPTIONAL DE PARACHOQUES TRASERO



CR-32 KIT PARAURTI POSTERIORE HD C120

32

POS	CODICE	QTÀ	DESCRIZIONE	DESCRIPTION	DESIGNATION	BEZEICHNUNG	DESCRPCIÓN
1	409090	4	DADO M10x10 AUTOBL. UNI 7474 ZINC	LOCK NUT	ECROU AUTOFREINES	SICHERUNGSMUTTER	TUERCA AUTOBLOCANTE
2	455332	1	PARAURTI POSTERIORE HD C120	REAR BUMPER C120	PARE-CHOCS ARRIÈRE C120	HECKSTANGE C120	PARACHOQUES TRASERO C120
3	409191	6	ROSETTA 10X21X2 UNI 6592 ZINC	WASHER	RONDELLE	UNTERLAGSCHEIBE	ARANDELA
4	409196	6	ROSETTA GROWER 10x18x2,2 ZINC	LOCK WASHER	RONDELLE FREIN	ZAHNSCHEIBE	ARANDELLA DENTADA
5	452083	2	TAPPO PER TUBO TONDO D.30 SP.1-2	CAP	CAPUCHON	KAPPE	TAPON
6	408711	6	VITE M10X25 TE UNI 5739 ZINC	SCREW	VIS	SCHRAUBE	TORNILLO

