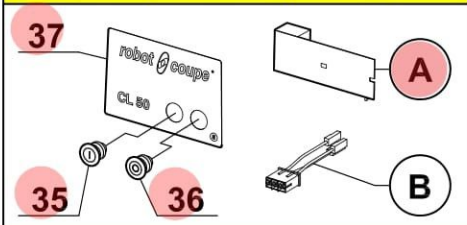
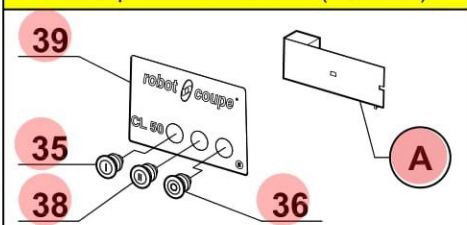


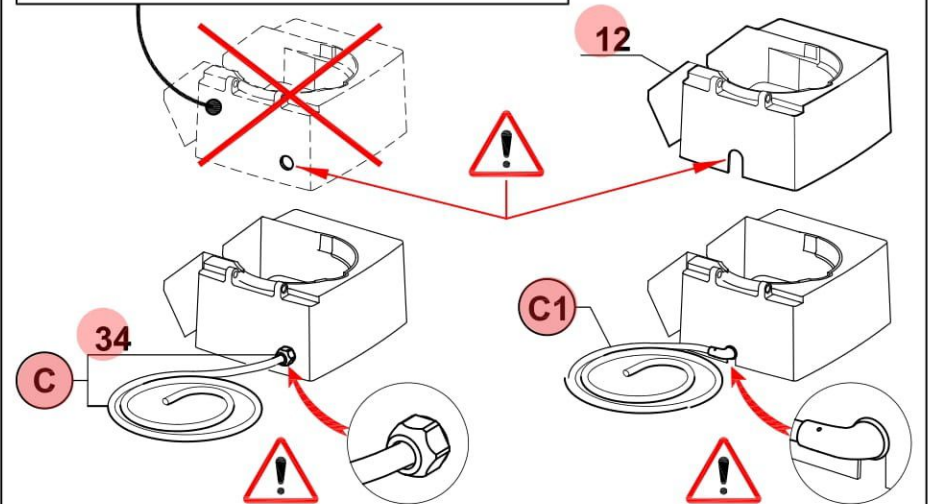
**Pour modèle 1 vitesse (2 boutons).**  
 For 1 speed model (2 knobs).



**Pour modèle 2 vitesses "2V" (3 boutons).**  
 For 2 speeds model "2V" (3 knobs).



**\* N'est plus disponible : commander 12 et C1.**  
 No longer available : order 12 and C1.



<b>Index PDF</b>	<b>Référence</b>	<b>Designation commerciale</b>
A	106250S	PCB CL50E 2SP /3
C	39141	POWER CORD
C1	39314	POWER CORD
D	29532	MOTOR PULLEY ASSEMBLY
E	39286	FAN ASSEMBLY
F	501270S	BEARING
M	303232S	MOTOR CL50E 400/50 2SP
1	39700	COMPLETE LID ASSEMBLY
2	39701	PUSHER ASSEMBLY AFS
3	117452S	HANDLE PUSHER CL50E/GOUR
4	39702	PUSHER GUIDE ASSEMBLY + AXLE
5	39703	PUSHER GUIDE ASSEMBLY AFS
6	100638S	PUSHER GUIDE RING
7	39704	GUIDE AXLE ASSEMBLY
8	49212	EXACTITUBE CL50/CL50U
9	39705	SHOULDERED RING X2
10	29501	CLINCH CLIP D ASSEMBLY
11	102690S	SLING PLATE
12	39706	BOWL ASSEMBLY AFS
13	29534	BASE+FEET ASSEMBLY
14	39325	FEET ASSEMBLY (X4)
15	29782	BASE SCREW
16	507341S	BELT HTD 450-5MX15
17	39707	TRANS SUPPORT ASSEMBLY
18	105529S	DRIVEN PULLEY
19	510218S	ELASTIC SLEEVE

20	105531S	TRANSMISSION SUPPORT
21	39708	RECEPT SHAFT ASSEMBLY
22	203068S	CIRCLIPS EXT 25 SAV
23	110308S	MOTOR SHAFT PIN
24	203015S	KEY 6X6X20
25	510217S	BEARING 6004 2RS
26	203206S	CIRCLIPS INT 42
27	501678S	SEALING RING 25X42X7
28	101547	DEFLECTOR
29	39709	BALL BEARING ASSEMBLY
30	29533	PCB SUPPORT ASSEMBLY
31	117703S	PCB LOCKING KEY (X2)
32	129451S	SAFETY SWITCH 87-53 1A66 CUTTER
33	502768S	MOTOR PIN 4X4X16
34	507343S	STRAIN RELIEF
35	502170S	I BUTTON
36	502169S	STOP BUTTON
37	403993	FRONT PLATE
38	503268S	ASS BUTTON II
39	403989	FRONT PLATE
40	29061	LOCKING ROD ASSEMBLY