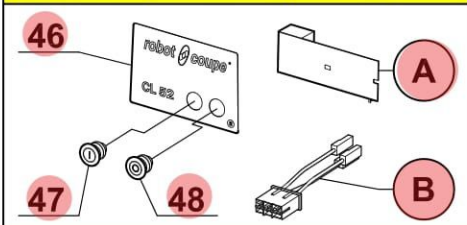
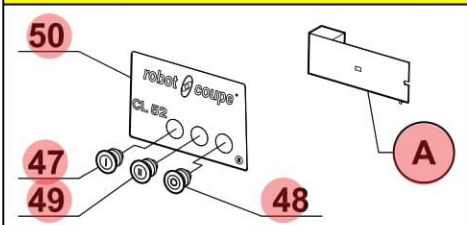


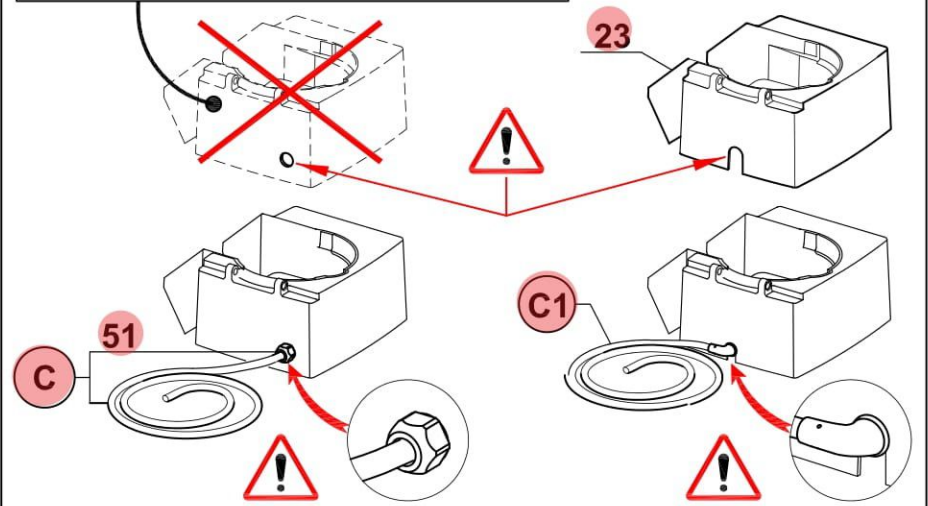
Pour modèle 1 vitesse (2 boutons).  
 For 1 speed model (2 knobs).



Pour modèle 2 vitesses "2V" (3 boutons).  
 For 2 speeds model "2V" (3 knobs).



\* N'est plus disponible : commander 23 et C1.  
 No longer available : order 23 and C1.



<b>Index PDF</b>	<b>Référence</b>	<b>Designation commerciale</b>
A	102481S	PCB CL50E /1
B	49039	MOTOR WIRING HARNESS
C1	39699	POWER CORD
D	118512S	MOTOR FAN
M	3774	[Spare parts translation not found]
X	502474	CAPACITOR
Y	504127S	230V RELAY
Z	502473S	CAPACITOR PERM 20µF 400V
1	39673	COMPLETE LID ASSEMBLY
2	39661	HANDLE CL52E
3	39663	CL52E PUSHER ABUTMENT
4	39672	CL52E RING OF SLIDING
5	39664	SHOULDERED RINGS (Qty=2)
6	39665	BACK TIEROD
7	39666	CL52E AXLE 8x40
8	39667	AXLE 8x50
9	39668	CL52E PUSHER GUIDE ASSEMBLY
10	49221	EXACTITUBE CL52-CL55-CL60-R652
11	39671	CL52E MAGNET HOLDER ASSEMBLY
12	39669	CL52E VEGETABLE PUSHER ASSEMBLY
13	39660	CL52E REMOVABLE WALL
14	39670	CL52E SHOULDERED RINGS 18x25 (Qty=2)
15	29706	PUSHER STOP ASSEMBLY
16	117321S	[Spare parts translation not found]
17	39705	SHOULDERED RING X2
18	29692	GROOVER ASSEMBLY

19	117200S	[Spare parts translation not found]
20	29501	CLINCH CLIP D ASSEMBLY
21	118420S	CABBAGE EJECTING PLATE
22	49527	GOUGE WRENCH R502G-R502VVG-R752-R752VV
23	39706	BOWL ASSEMBLY AFS
24	29061	LOCKING ROD ASSEMBLY
25	118430	S. STEEL BASE COVER
26	117687	BOTTOM PLATE
27	39276	GREY FEET ASSEMBLY D 30 (X4)
28	507341S	BELT HTD 450-5MX15
29	39674	TRANSMISSION SUPPORT ASSEMBLY
30	105529S	DRIVEN PULLEY
31	510218S	ELASTIC SLEEVE
32	105531S	TRANSMISSION SUPPORT
33	39675	TRANSMISSION SHAFT ASSEMBLY
34	110308S	MOTOR SHAFT PIN
35	203015S	KEY 6X6X20
36	101547	DEFLECTOR
37	501678S	SEALING RING 25X42X7
38	39709	BALL BEARING ASSEMBLY
39	203068S	CIRCLIPS EXT 25 SAV
40	510217S	BEARING 6004 2RS
41	203206S	CIRCLIPS INT 42
42	102690S	SLING PLATE
43	129451S	SAFETY SWITCH 87-53 1A66 CUTTER
44	29533	PCB SUPPORT ASSEMBLY
45	117703S	PCB LOCKING KEY (X2)

46	403995	FRONT PLATE (2 KNOBS) CL52E
47	502170S	I BUTTON
48	502169S	STOP BUTTON
49	503268S	ASS BUTTON II
50	403988	FRONT PLATE CL52E 2 SPEEDS
51	507343S	STRAIN RELIEF
52	29156	FEEDING CONE ASSEMBLY
53	106268S	MOTOR UP BEARING+FLANGE
54	29530	MOTOR PULLEY ASSEMBLY
55	501270S	BEARING
56	502768S	MOTOR PIN 4X4X16