



ÖZTİRYAKİLER

Cumhuriyet Mah.Hadımköy Yolu Cad.No:8

Büyüçekmece-İstanbul-TURKEY

e-mail: export@oztiryakiler.com.tr

web: www.oztiryakiler.com.tr

code:

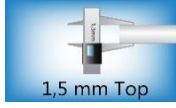
7865.N1.80703.WK

700 SERIE

GAS COOKING TOP, 2 OPEN WOK BURNER

model:

OWG 8070



1,5 mm Top



Flush Top



Heavy Duty



Easy Maintenance



Efficiency



Hygiene

700 SERIE MAIN FEATURES

- * 1,5 mm thick AISI 304 stainless steel laser cut top
- * Flush top setting with secure fixing screws
- * 3 installation options; standalone(fixed on a base w/ or w/o door), cantilever or on concrete plinth
- * Installation gap behind the equipment for plumbing & electrical connections
- * Gas appliances supplied for use with natural or LPG gas, conversion jets supplied as standard.
- * Easy access from front panel to all major components for maintenance
- * Modular system for flexibility

CONSTRUCTION

- * All stainless steel construction to avoid any infiltration
- * Top, sides, back, front panels and control consoles in stainless steel with satin scotch-brite finish
- * Top modules with 20 mm adjustable feet

OPEN BURNERS

- * Ø250 mm cast iron burners
- * Power regulation from 4,7 to 14 Kw
- * Pilot flame on each burner for high performance and significant reduction in energy consumption
- * Durable and strong cast iron cooking ring designed to meet heavy load
- * Removable cooking ring
- * Burners with optimised combustion
- * Removable drip tray under the burners for easy cleaning

OPTIONS

ACCESSORIES

STANDARDS & CERTIFICATES

- * EN 203-1 European Standard relating to the safety of gas appliances
- * EN 203-2-1 European Standard relating to the safety of gas appliances



**ÖZTİRYAKİLER**

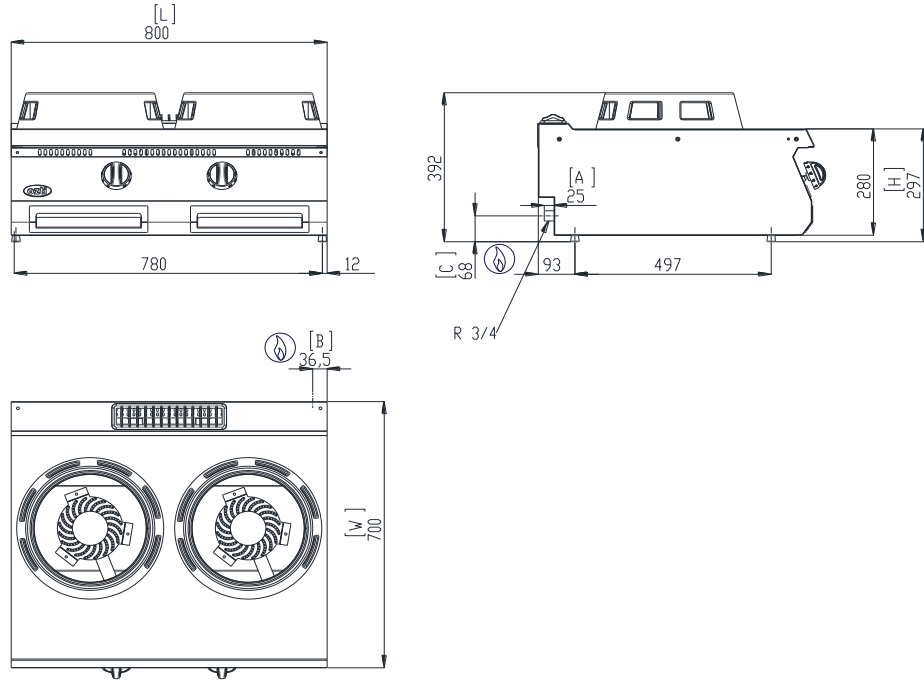
Cumhuriyet Mah.Hadımköy Yolu Cad.No:8

Büyükcçekmece-İstanbul-TURKEY

e-mail: export@oztiryakiler.com.tr

web: www.oztiryakiler.com.tr

code: 7865.N1.80703.WK	700 SERIE GAS COOKING TOP, 2 OPEN WOK BURNER	model: OWG 8070
----------------------------------	---	---------------------------

**DIMENSIONS (Net)**

* Width (mm)	800
* Depth (mm)	700
* Height (mm)	280
* Weight (kg)	50,7
*	

DIMENSIONS (Shipping)

* Width (mm)	
* Depth (mm)	
* Height (mm)	
* Weight (kg)	
* Volume (m³)	

COMPOSITION OF TOP

* Open burner (right)	14 kW	1 Pcs.
* Open burner (left)	14 kW	1 Pcs.

**GAS**

* Power:	24	kW	81888	Btu/hr	20640	kcal	Gas Inlet:	3/4"
* G20	Natural Gas	Pressure:	20		2,54	m³/h		
* G30/G31	LPG Gas	Pressure:	28-30/37	mbar	1,87	kg/h		
* G30	LPG Gas	Pressure:	50					

**ELECTRICITY**

* Power:	kW
* Supply Voltage:	
* Protection Class:	IP

**WATER-IN**

* Cold Water Inlet:	Pressure (min-max)	bar	kPa	Temperature (min-max)	°C
* Hot Water Inlet:					
* Hardness:	F				

**DRAIN**

*
*