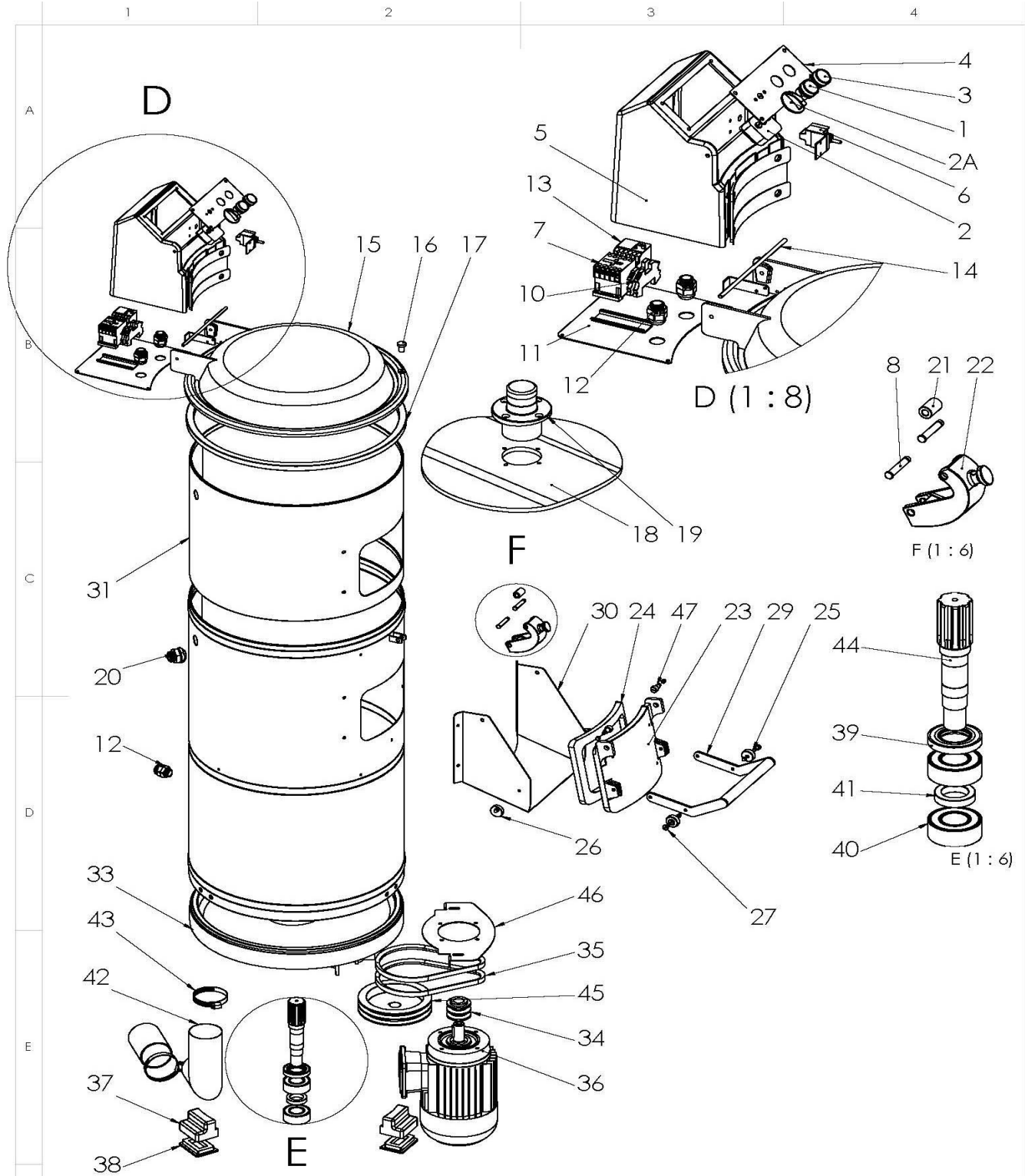




## SPARE PART LIST

Spare Part ItemCode	Item name.	PictureId	Price.	Curr.
2KLP.460.10020023.9.01	COVER HANDLE FOR PSM10-20-30KG Q20x23mm			
2840.00030.12	PSM 30-20 KG PLASTIC DISC HANDLE			
2KLP.460.00360033.9.01	KALIPHANE UR- PSM 20-30 KG ON KAPAK CIVATASI YUZUK			
2KLP.460.30012021.9.01	KALIPHANE UR- PSM 10-20-30 KG KOL KAPAK BAGLANTI CIVATASI			
6232.00010.32	BUTTON START AA31 SMCX	1		
6248.00009.00	TERMINAL STRIPS WGT-4 (EARTH)	10		
2840.00010.52	CONTROL PANEL LOWER PLATE FOR PSM10-20-30	11		
6259.00003.044	CABLE GLAND PG 16	12		
6233.00016.12	OVERLOAD 4 2,4-4A MOELLER,	13		
2KLP.460.00060213.9.01	COVER MOUNTING SHAFT FOR PSM10/20/30KG	14		
2840.00020.08	PLASTIC TOP COVER FOR PSM20KG	15		
6261.00010.14	SEAL 15*17 FOR PSM COVER	17		
2840.00020.03	ABRASIVE PEELER DISC FOR PSM20KG	18		
6259.00002.00	TIMER 0-4	2		
6261.00013.23	PLASTIC WATER SPRAY FOR PSM10-20-30KG	20		
2KLP.460.10018035.9.01	SECURING PULLEY FOR PSM10-20-30KG (Q18x35mm)	21		
2840.00010.49	COVER SECURING PART FOR PSM10-20-30KG	22		
6261.00013.28	FRONT COVER FOR PSM20-30KG	23		
6261.00013.29	FRONT COVER GASKET FOR PSM20	24		
2KLP.460.10030012.9.01	ARM PULLEY FOR PSM 10-20-30KG	25		
2KLP.460.10030010.9.01	FRONT COVER PULLEY FOR PSM10-20-30KG STAINLESSSTEEL	26		
2KLP.460.30012023.9.01	STAY BOLTS OF ARM PULLEY FOR PSM 10-20-30KG	27		
2840.00030.09	FRONT COVER ARM FOR PSM20-30KG	29		
6232.00010.31	BUTTON STOP AA42 SMCX	3		
2840.00020.07	FRONT COVER GUIDE FOR PSM20	30		
2840.00020.23	BOWL FOR PSM20KG	31		
2KLP.460.04890055.9.01	MOTOR FIXING PLASTIC MIDDLE PART	33		
2840.00020.10	MOTOR PULLEY FOR PSM20	34		
6263.00001.27	V BELT 13*575 VARIBELT	35		
6252.00000.41	MOTOR 1,1 KW 915 D/D THREEPHASE 50 Hz B14 FLANSGED VOLT	36		
6261.00013.07	PLASTIC POD FOR PSM10-20-30KG	37		
6261.00010.01	PLASTIC PART OF PSM10 POTATO PEELER BASE	38		
6228.00011.39	KECE YAG 35*62*10 NBR PASLANMAZ YAY	39		
2840.00010.50	CONTROL PANEL PLATE FOR PSM10-20-30KG	4		
6211.00240.06	BEARING 3206 2RS ORS	40		
2KLP.460.20400026.9.01	DISTANCE PART OF BEARING FOR PSM20-30KG	41		
6261.00013.20	DRAIN PIPE FOR PSM20-30	42		
6221.00003.03	GALVANIZED HOSE CLAMP 70x90mm	43		
2840.F0020.24	PEELER DISC SHAFT FOR PSM20	44		
2840.00020.11	PULLEY FOR PSM20	45		
2840.00020.12	MOTOR FIXING PLATE FOR PSM20	46		
2KLP.460.20130023.9.01	FRONT COVER STAY BOLT FOR PSM 20-30KG	47		
2840.00010.51	CONTROL BOX FOR PSM10-20-30KG	5		
6232.00006.00	SWITCH	6		
6230.00014.12	MINI CONTACTOR DILEEM-10 XTMC6A10 3KW MOELLER	7		
2KLP.460.10010047.9.01	SECURING PIN FOR PSM10-20-30KG (Q10x47)	8		



F	R&D	İSİM	İMZA	TARİH	MATERIAL	TOLERANS
	ÇİZEN	A.YILMAZ		01.02.2016		DIN 7168 ORTA
	KONTROL	M.HACI		01.02.2016		
	ONAY	M.HACI		01.02.2016	KALINLIK	REVİZYON 0
	RESİM ÜZERİNDEN ÖLÇÜ ALMAYINIZ!	ÖLÇÜLER mm CİNSİNDEN DİR		AĞIRLIK (gr.)		ÖLÇEK

**öztiryakiler**

PARÇA ADI: PATATES SOYMA MAKİNASI 20 KG TRİFAZE MEKANİK KONTROL  
T.RESİM NO: 0840.00020.01