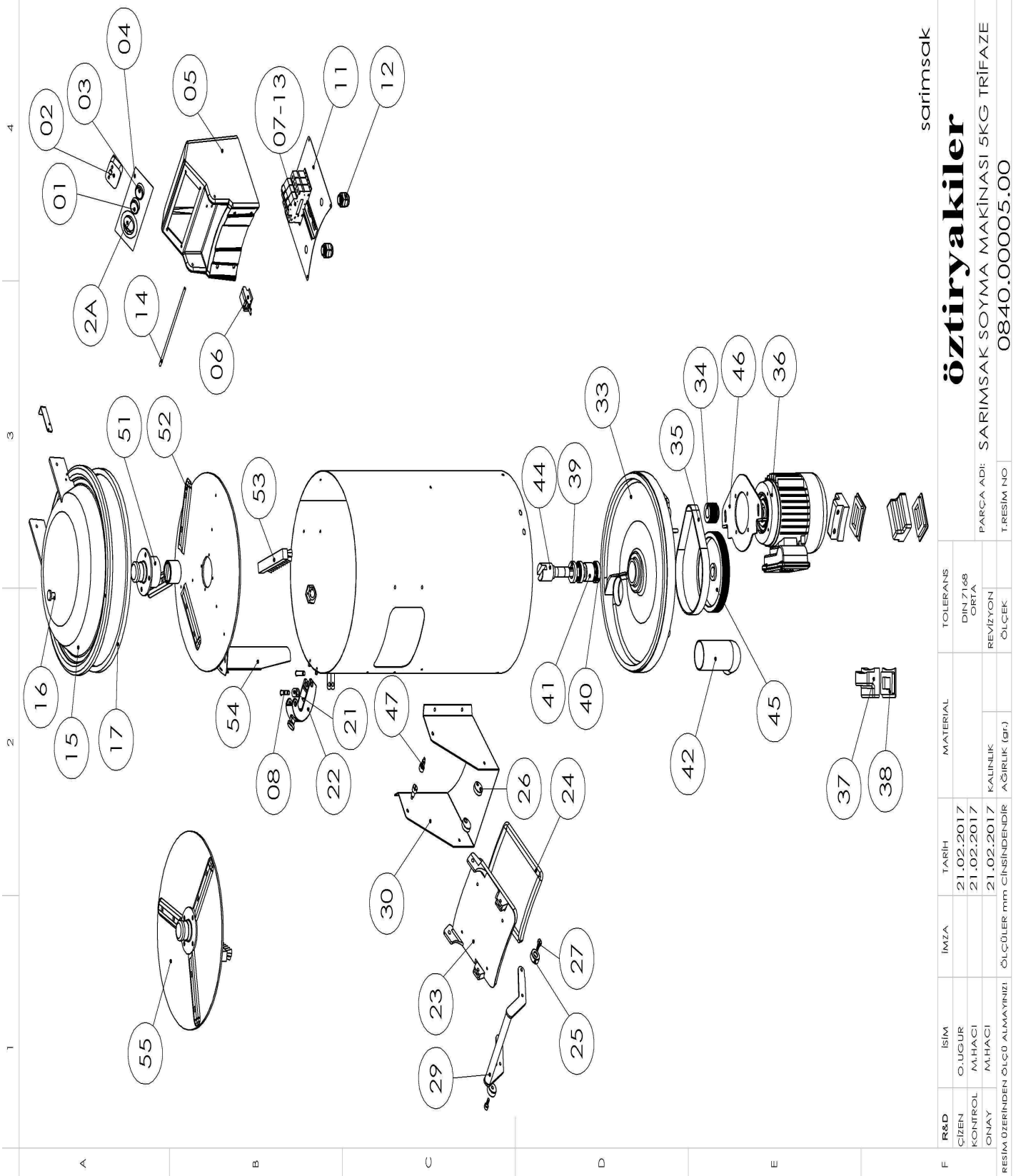




SPARE PART LIST

Spare Part ItemCode	Item name.	PictureId	Price.	Curr.
6606.00001.06	ZAMAN SAATI DUGMESI DIEL 4 DK			
2840.00010.18	PSM 10 KG ON KAPAK TAKIM			
6232.00010.32	BUTTON START AA31 SMCX	1		
6248.00009.00	TERMINAL STRIPS WGT-4 (EARTH)	10		
2840.00010.52	CONTROL PANEL LOWER PLATE FOR PSM10-20-30	11		
6259.00003.044	CABLE GLAND PG 16	12		
6233.00016.11	THERMIC RELAY 1,6-2,4	13		
2KLP.460.00060213.9.01	COVER MOUNTING SHAFT FOR PSM10/20/30KG	14		
2840.00010.54	TRANSPARENT COVER	15		
2KLP.460.10020023.9.01	COVER HANDLE FOR PSM10-20-30KG Q20x23mm	16		
6261.00010.14	SEAL 15*17 FOR PSM COVER	17		
6259.00002.00	TIMER 0-4	2		
6261.00013.23	PLASTIC WATER SPRAY FOR PSM10-20-30KG	20		
2KLP.460.10018035.9.01	SECURING PULLEY FOR PSM10-20-30KG (Q18x35mm)	21		
2840.00010.49	COVER SECURING PART FOR PSM10-20-30KG	22		
6261.00013.21	PLASTIC FRONT COVER FOR PSM10	23		
6261.00010.02	FRONT COVER GASKET FOR PSM10	24		
2KLP.460.10030010.9.01	FRONT COVER PULLEY FOR PSM10-20-30KG STAINLESSSTEEL	25		
2KLP.460.10030012.9.01	ARM PULLEY FOR PSM 10-20-30KG	26		
2KLP.460.30012023.9.01	STAY BOLTS OF ARM PULLEY FOR PSM 10-20-30KG	27		
2KLP.460.30016032.9.01	STAY BOLTS OF OF FRONT COVER FOR PSM 10-20-30KG (Q16x32mm)	28		
2840.00010.21	FRONT COVER ARM FOR PSM10KG	29		
6232.00010.31	BUTTON STOP AA42 SMCX	3		
2840.00010.17	FRONT COVER GUIDE FOR PSM10 KG	30		
2KLP.460.03850086.9.01	MOTOR FIXING MIDDLE PART FOR PSM10KG	33		
6261.10000.10	MOTOR PULLEY FOR PSM10	34		
6263.00006.01	T BELT 559J HUTCHINSON	35		
6252.00000.11	MOTOR 0,55 KW 915 D/D THREEFASE 50 Hz B14 FLANGED VOLT	36		
6261.00013.07	PLASTIC POD FOR PSM10-20-30KG	37		
6261.00010.01	PLASTIC PART OF PSM10 POTATO PEELER BASE	38		
6228.00011.05	SHAFT SEALING 25*42*10	39		
2840.00010.50	CONTROL PANEL PLATE FOR PSM10-20-30KG	4		
6211.00210.00	BEARING 6004	40		
2KLP.460.10360033.9.01	DISTANCE PART OF BEARING FOR PSM10KG	41		
6261.00013.15	WATER DRAIN PIPE FOR PSM10KG	42		
6221.00003.02	GALVANIZED HOSE CLAMP 40x60mm	43		
2KLP.460.30350142.9.01	MOTOR SHAFT FOR PSM 10KG (Q35x142mm)	44		
6261.10000.11	PULLEY FOR PSM10KG	45		
2840.00010.68	MOTOR FIXING PLATE FOR PSM10KG	46		
2840.00010.51	CONTROL BOX FOR PSM10-20-30KG	5		
2840.00010.57	PLASTIC HANDLE FOR PSM10KG	51		
6261.00013.40	GARLIC RAMP FOR SSM5	52		
6261.00010.20	CLEANING BRUSH (L20x70MM)	53		
2840.00005.02	GUIDE PLATE FOR SSM5	54		
2840.00005.01	SSM5 PEELER DISC STAINLESS STEEL	55		
6232.00006.00	SWITCH	6		
6230.00014.12	MINI CONTACTOR DILEEM-10 XTMC6A10 3KW MOELLER	7		
2KLP.460.10010047.9.01	SECURING PIN FOR PSM10-20-30KG (Q10x47)	8		
6262.00021.12	3/4" Water Inlet Hose	AKS		



sarımsak

Öztiryakiler

PARÇA ADI: SARIMSAK SOYMA MAKİNASI 5KG TRİFAZE
T.RESİM NO: 0840.00005.00

R&D	İSİM	İMZA	TARİH	MATERYAL	TOLERANS
ÇİZEN	Ö.UGUR		21.02.2017		DIN7168
KONTROL	M.HACI		21.02.2017		ORTA
ONAY	M.HACI		21.02.2017		REVİZYON
RESİM ÜZERİNDEN ÖLÇÜ ALMAYINIZ!	ÖLÇÜLER mm	CİNSİNDİR	KALINLIK	AĞIRLIK (gr.)	ÖLÇEK