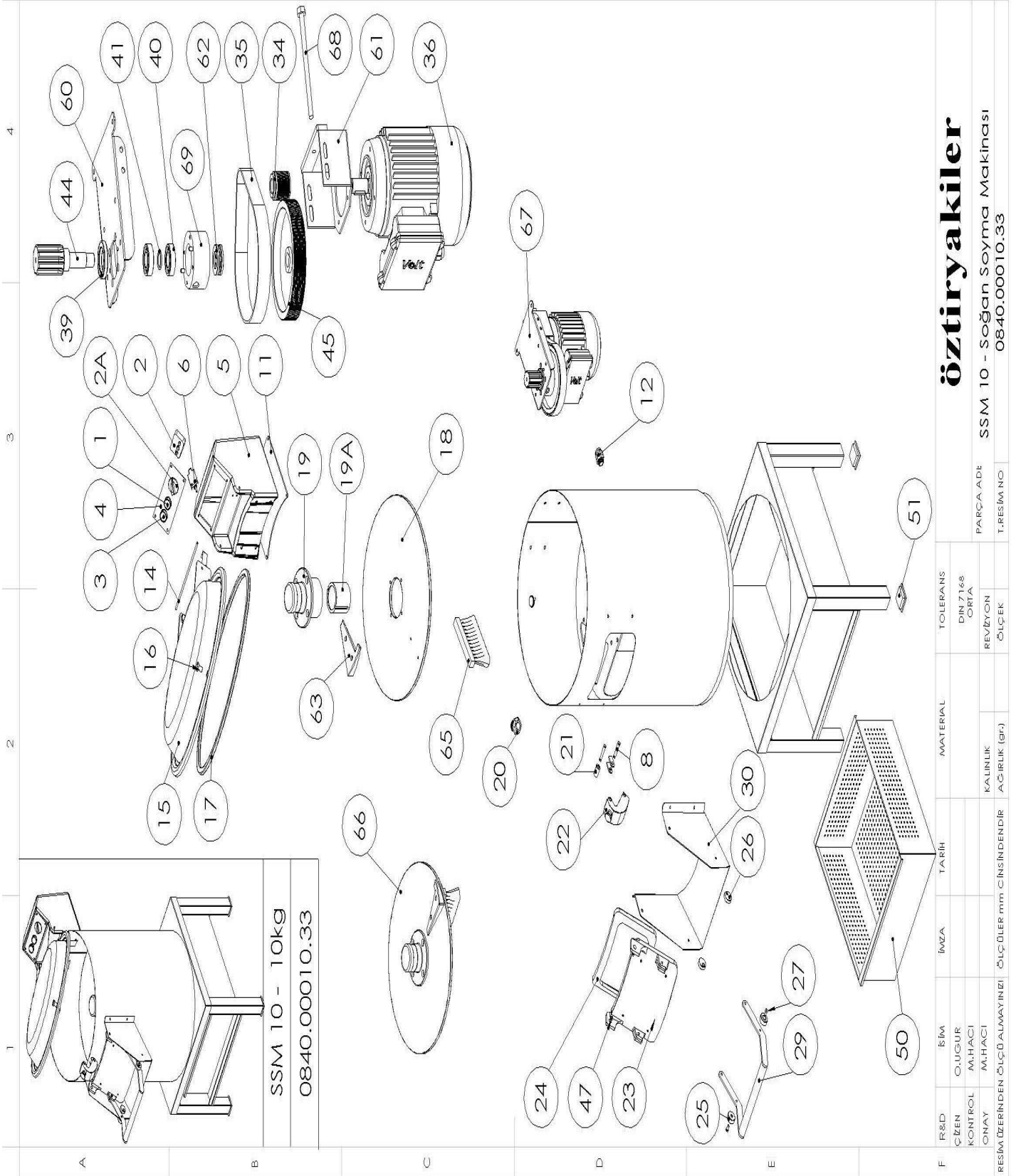




## SPARE PART LIST

Spare Part ItemCode	Item name.	PictureId	Price.	Curr.
2KLP.460.10020023.9.01	COVER HANDLE FOR PSM10-20-30KG Q20x23mm			
6232.00010.32	BUTTON START AA31 SMCX	1		
6248.00009.00	TERMINAL STRIPS WGT-4 (EARTH)	10		
2840.00010.50	CONTROL PANEL PLATE FOR PSM10-20-30KG	11		
6259.00003.044	CABLE GLAND PG 16	12		
2KLP.460.00060213.9.01	COVER MOUNTING SHAFT FOR PSM10/20/30KG	14		
2840.00020.08	PLASTIC TOP COVER FOR PSM20KG	15		
6261.00010.14	SEAL 15*17 FOR PSM COVER	17		
2840.F0020.03	PSM 20 KG ZIMPARALI DISK (FASON)	18		
2840.00S10.06	SSM 10 KG SOGAN PLASTIK DISK TUTMA KULBU	19		
6259.00002.00	TIMER 0-4	2		
6261.00013.23	PLASTIC WATER SPRAY FOR PSM10-20-30KG	20		
2KLP.460.10018035.9.01	SECURING PULLEY FOR PSM10-20-30KG (Q18x35mm)	21		
2840.00010.49	COVER SECURING PART FOR PSM10-20-30KG	22		
2840.00020.14	PSM 20 KG ON KAPAK TAKIM	23		
6261.00013.28	FRONT COVER FOR PSM20-30KG	23		
6261.00013.29	FRONT COVER GASKET FOR PSM20	24		
2KLP.460.10030012.9.01	ARM PULLEY FOR PSM 10-20-30KG	25		
2KLP.460.10030010.9.01	FRONT COVER PULLEY FOR PSM10-20-30KG STAINLESSSTEEL	26		
2KLP.460.30012023.9.01	STAY BOLTS OF ARM PULLEY FOR PSM 10-20-30KG	27		
2840.00030.09	FRONT COVER ARM FOR PSM20-30KG	29		
6232.00010.31	BUTTON STOP AA42 SMCX	3		
2840.00020.07	FRONT COVER GUIDE FOR PSM20	30		
6261.10000.10	MOTOR PULLEY FOR PSM10	34		
6263.00006.01	T BELT 559J HUTCHINSON	35		
6252.00000.31	MOTOR 0,75 KW 1420 D/D THREEPHASE 50 Hz B14 FLANGED VOLT	36		
6228.00011.14	OIL SEAL 30*50*8	39		
2840.00010.52	CONTROL PANEL LOWER PLATE FOR PSM10-20-30	4		
6211.00210.00	BEARING 6004	40		
2KLP.460.00260002.9.01	SSM10 KG DISTANCE WASHER	41		
6261.00013.24	FILTER DRAIN PIPE Q100	43		
2840.F0S10.01	ONION PEELER SHAFT	44		
6261.10000.11	PULLEY FOR PSM10KG	45		
2KLP.460.20130023.9.01	FRONT COVER STAY BOLT FOR PSM 20-30KG	47		
2840.00010.51	CONTROL BOX FOR PSM10-20-30KG	5		
6261.00011.00	PLASTIC PART OF OM10 MIXER BASE	51		
6232.00006.00	SWITCH	6		
2840.560.00S10.08	ONION PEELER SSM10 MOTOR FIXING PLATE -UPPER PART	60		
2840.560.00S10.09	ONION PEELER SSM10 MOTOR FIXING PLATE - LOWER PART	61		
6211.00393.00	BEARING 51204	62		
2840.00S10.07	SSM 10 KG SOGAN DISK (ZIMPARALI)	66		
2840.00S10.03	SSM10 KG ONION PEELER MOTOR GROUP	67		
2KLP.460.00750040.9.01	BEARING	69		
6233.00016.11	THERMIC RELAY 1,6-2,4	7		
6230.00014.12	MINI CONTACTOR DILEEM-10 XTMC6A10 3KW MOELLER	7		
2KLP.460.10010047.9.01	SECURING PIN FOR PSM10-20-30KG (Q10x47)	8		

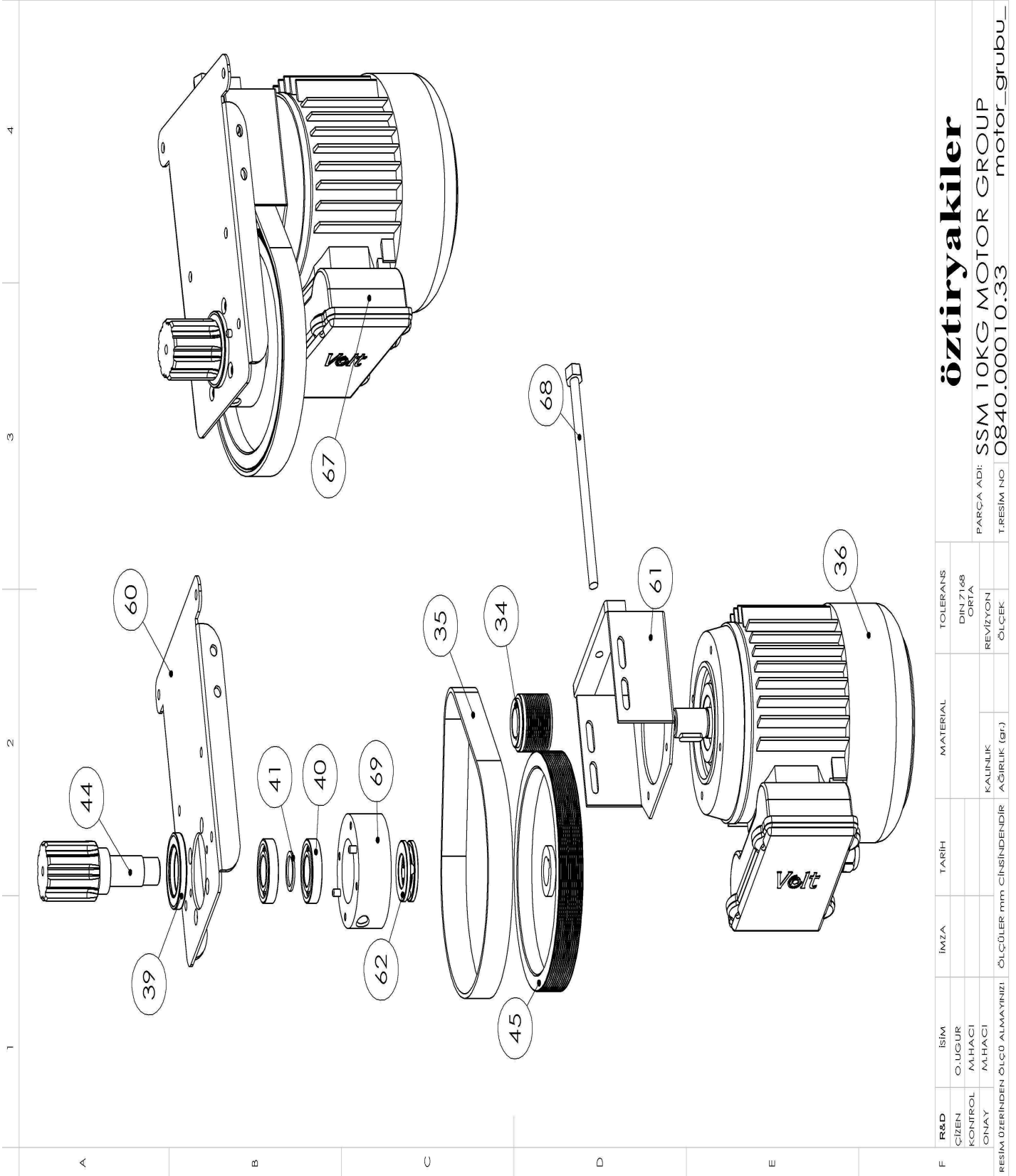


# Öztiryakiler

PARÇA ADI: SSM 10 - Soğan Soyma Makinası  
T. RESİM NO: 0840.00010.33

TOLERANS		MATERIAL		TARİH		İMZA	
DIN 7168 ORTA							
REVİZYON		KALINLIK		ÇİNSİNDİR		ÖLÇÜLER mm	
ÖLÇEK		AĞIRLIK (gr.)		C		İNSİNDİR	

SSM 10 - 10kg  
0840.00010.33



## öztiryakiler

PARÇA ADI: SSM 10KG MOTOR GROUP  
T. RESİM NO: 0840.00010.33 motor\_grubu\_

R&D	İSİM	İMZA	TARİH	MATERIAL	TOLERANS
ÇİZEN	Ö.UGUR				DIN 7148
KONTROL	M.HACI				ORTA
ONAY	M.HACI				REVİZYON
RESİM ÜZERİNDEN ÖLÇÜ ALMAYINIZI	ÖLÇÜLER mm ÇİNSİNDİR	KALINLIK	A GİRİLİK (gr.)	REVİZYON	ÖLÇEK