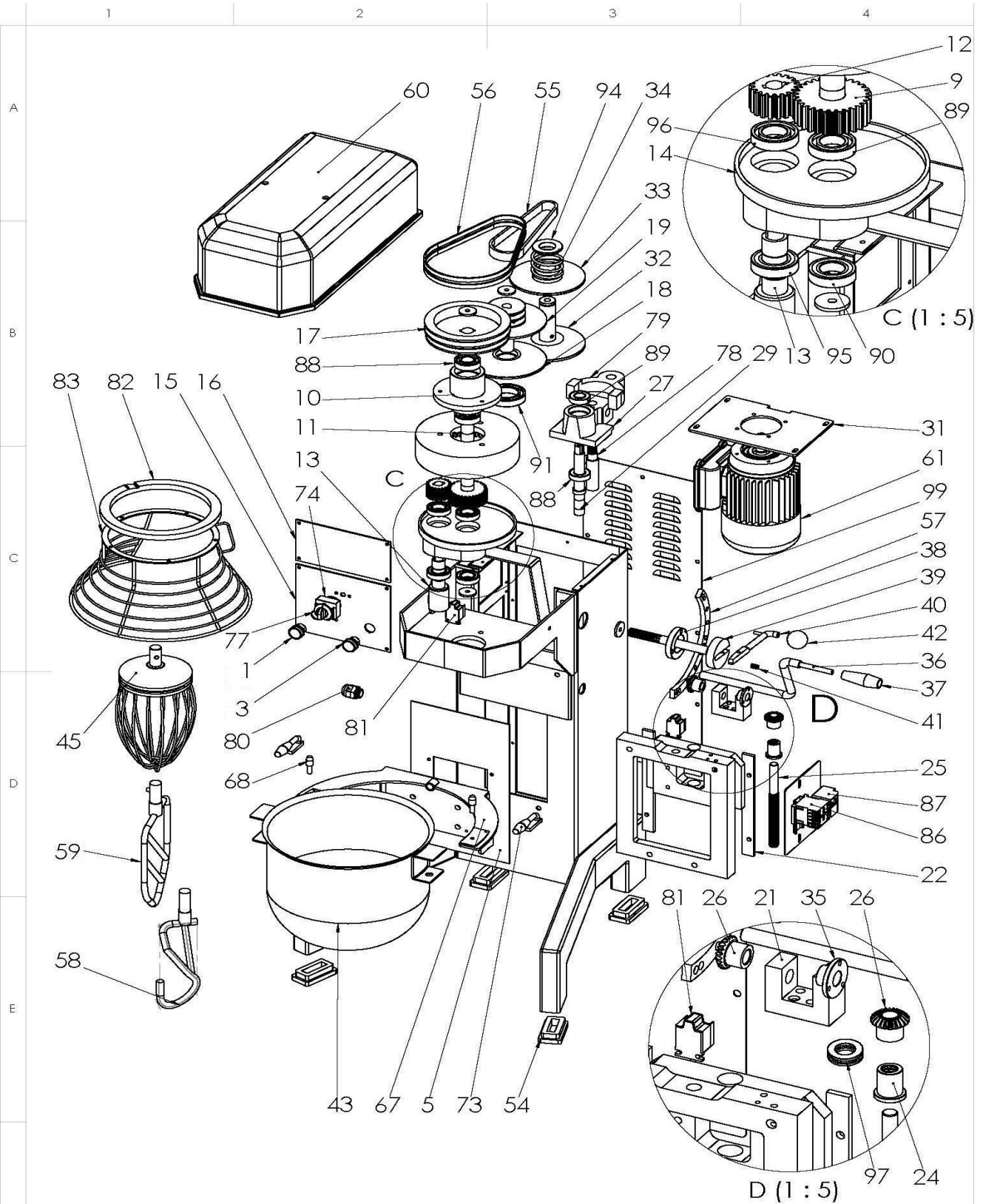




SPARE PART LIST

Spare Part ItemCode	Item name.	PictureId	Price.	Curr.
6232.00010.31	BUTTON STOP AA42 SMCX	1		
2810.00040.42	ECCENTRIC AXLE BEARING CASE,	10		
2KLP.460.40360311.9.01	FRONT PULLEY SHAFT Q36x311mm FOR OM40-60	11		
6261.00017.07	POLIAMID GEAR	12		
2KLP.460.40050213.9.01	FIXING SHAFT FOR OM40-60 MIXING APARATUS Q50x213mm	13		
2810.00040.46	EGZANTRIK GEAR PROECTION,	14		
2810.00020.08	LOWER CASING FOR CONTROL PANEL (OM20-40-60)	15		
2810.00020.09	UPPER CASING FOR CONTROL PANEL (OM20-40-60)	16		
2810.00040.40	ECCENTRIC AXLE HOOP ,	17		
2810.00040.37	MIDDLE VARIATOR BOTOM PULLEY,	18		
2810.00040.39	MIDDLE VARIATOR UPPER PULLEY,	19		
6261.40060.07	GG-26 CAST IRON "U" PART FOR OM40-60	21		
6211.00390.00	BEARING 51104,	22		
2KLP.460.40040050.9.01	BRONZE NUT FOR OM40-60 (Q40x50mm)	24		
2KLP.460.40040051.9.01	WORM GEAR FOR OM40-60 (Q24x285mm)	25		
6261.00018.42	BEVEL GEAR FOR OM40-60	26		
2810.00040.33	SPEED ADJUSTMENT BEARING CASE	27		
2KLP.460.40340230.9.01	VARIATOR AXLE	29		
6232.00010.32	BUTTON START AA31 SMCX	3		
2810.00040.28	LOWER PULLEY FOR OM40	32		
2810.00040.29	UPPER PULLEY FOR OM40	33		
6261.00026.00	PRESS SPRING	34		
2KLP.460.40045021.9.01	BOWL LIFTING ARM GUIDE BEARING Q50x21MM FOR OM40-60	35		
2810.00040.24	BOWL ARM FOR OM40-60	36		
6261.00027.02	BAKALITE PART (CYCLINDIRICAL, N:3 M10)	37		
2810.00040.13	BOWL LIFTING ARM BEARING FOR OM40-60	38		
2810.00040.32	SPEED ADJUSTMENT GEAR	39		
2810.00040.31	SPEED ADJUSTMENT ARM	40		
6261.00026.01	SPRING OUT: Q9/ WIRE: Q1.5 /LENGTH: 16/REVOLUTION: 6	41		
6261.00027.00	BAKALITE HANDLE Q40 M12	42		
2810.00040.06	BOWL FOR OM 40,	43		
2810.00040.52	BEATING TOOL FOR OM 40,	45		
2810.00040.04	ARM PLATE FOR OM40	5		
6261.00011.02	PLASTIC PART OF OM40 MIXER BASE	54		
6263.00003.01	VARIATOR BELT 32*10*750	55		
6263.00001.01	V BELT 13*775	56		
2810.00040.12	SPEED ADJUSTMENT SPRING FOR OM40	57		
2810.00040.48	KNEADING TOOL FOR OM 40	58		
2810.00040.49	MIXING TOOL FOR OM 40,	59		
2810.00040.57	PLASTIC COVER FOR OM40	60		
6252.00000.41	MOTOR 1,1 KW 915 D/D THREEPHASE 50 Hz B14 FLANSGED VOLT	61		
2810.00040.59	ARM FOR OM40	67		
2KLP.460.00014042.9.01	BOWL FIXING PIN Q14x42mm	68		
6260.00065.00	COVER KNOB	73		
6259.00002.05	TIMER 0-90 MIN	74		
2810.00040.19	BOWL LOCK FOR OM40-60	76		
6259.00002.06	TIMER KNOB	77		
6261.00017.04	40-60 LT DEVIR AYAR KREMIYER DISLI	78		
2810.00040.35	SPEED ADJUSTMENT PART (FORK)	79		
6259.00003.044	COUPLING PG16	80		
6232.00006.00	SWITCH	81		
6261.00013.27	SAFETY CAGE CIRCULAR PART FOR OM40-60	82		
2810.40400.60	CAGE FOR OM40	83		
6230.00014.12	MINI CONTACTOR DILEEM-10 XTMC6A10 3KW MOELLER	86		
6233.00016.12	Overload 4 2,4-4A MOELLER,	87		
6211.00222.00	BEARING 6206,	88		
6211.00209.00	BEARING 6006,	89		
6261.00017.08	ECCENTRIC GEAR	9		
6211.00209.03	BEARING 6006 2RS C3	90		
6211.00215.01	BEARING 6010,	91		
2KLP.460.00600011.9.01	SPRING WASHER FOR OM40	94		
6211.00221.00	BEARING 6205 2RS C0	95		
6211.00221.01	BEARING 6205,	96		



F	R&D	İSİM	İMZA	TARİH	MATERIAL	TOLERANS
	ÇİZEN	A.YILMAZ		28.01.2016		DIN 7168 ORTA
	KONTROL	M.HACI		28.01.2016		
	ONAY	M.HACI		28.01.2016	KALINLIK	REVİZYON 0
					AĞIRLIK (gr.)	ÖLÇEK 1/1

öztiryakiler

PARÇA ADI: MİKSER 40 LT TRİFAZE CE MEKANİK KONTROL PANELLİ

RESİM ÜZERİNDEN ÖLÇÜ ALMAYINIZ! ÖLÇÜLER mm CİNSİNDEN DİR AĞIRLIK (gr.) ÖLÇEK 1/1 T.RESİM NO 0810.00040.01