



SPARE PART LIST

Spare Part ItemCode	Item name.	PictureId	Price.	Curr.
2810.00020.11	MIKSER 20 LT KAZAN SABITLEME MEMESI			
2810.00040.51	MIKSER 40-60 LT CİRPMA TELİ MILİ			
6212.00002.18	M8*20 HEX SS BOLT			
6216.00005.00	M12 YAYLI RONDELA INOX			
6260.00090.81	ETIKET ASETAT_0-90_BICAKLIK ETIKETİ			
6257.00016.01	POWER SUPPLY CORD 5x2,5 H07RNF			
6225.00001.27	M8*20 İMBUS SİYAH CIVATA			
6214.00005.04	M12 KAPALI SOMUN INOX			
6214.00005.04	M12 KAPALI SOMUN INOX			
6213.00001.01	M4x10 INOX PAN HEAD CROSS RECESSES SCREW			
6215.00005.02	PUL 35*8.5*4 MM GALVENİZ			
6261.00018.56	40 LT MIKSER SANZUMAN MOTOR VARYATOR + PLASTİK			
2810.00040.45	POT GEAR			
6261.00018.56	40 LT MIKSER SANZUMAN MOTOR VARYATOR + PLASTİK			
6211.00215.01	BEARING 6010,			
6232.00010.31	BUTTON STOP AA42 SMCX	1		
6261.00017.07	POLIAMİD GEAR	12		
2KLP.460.40050213.9.01	FIXING SHAFT FOR OM40-60 MIXING APARATUS Q50x213mm	13		
2810.00040.46	EGZANTRİK GEAR PROECTION,	14		
2810.40400.00	TOP CASING OF GEARBOX FOR OMS40	15		
6261.40060.07	GG-26 CAST IRON "U" PART FOR OM40-60	21		
6211.00390.00	BEARING 51104,	22		
2KLP.460.40040050.9.01	BRONZE NUT FOR OM40-60 (Q40x50mm)	24		
2KLP.460.40040051.9.01	WORM GEAR FOR OM40-60 (Q24x285mm)	25		
6261.00018.42	BEVEL GEAR FOR OM40-60	26		
6232.00010.32	BUTTON START AA31 SMCX	3		
2KLP.460.40045021.9.01	BOWL LIFTING ARM GUIDE BEARING Q50x21MM FOR OM40-60	35		
2810.00040.24	BOWL ARM FOR OM40-60	36		
6261.00027.02	BAKALİTE PART (CYCLİNDİRICAL, N:3 M10)	37		
2810.40400.27	SPEED ADJUSTMENT BEARING OF GEARBOX FOR OM40-60	38		
2KLP.460.00200147.9.01	SPEED ADJUSTMENT SHAFT OF GEARBOX FOR OM40-60	39		
2810.40400.30	Cycle Adjustment Lever,	40		
6261.00028.78	Cycle Adjustment Propeller,	41		
2810.00040.06	BOWL FOR OM 40,	43		
2810.00040.59	ARM FOR OM40	44		
2810.00040.52	BEATING TOOL FOR OM 40,	45		
6211.00243.00	BEARING 6305 2 RS C0	47		
6211.00223.01	BEARING 6207 2 RS C0	48		
6211.00241.00	BEARING 6303 2RS	49		
2810.00040.04	ARM PLATE FOR OM40	5		
2810.40400.13	SPEED ADJUSTMENT GUIDE OF GEARBOX FOR OM40-60	50		
2KLP.460.01070020.9.01	Cycle Roller Bearing	51		
2810.20200.12	20-40-60 LT SANZUMAN DEVİR AYAR KIZAK LAMA	52		
6261.00011.02	PLASTIC PART OF OM40 MIXER BASE	52		
2810.40400.10	Mid Variator Rotor Lower,	53		
2810.40400.09	Mid Variator Rotor Upper,	55		
6211.00215.01	BEARING 6010,	57		
2810.00040.48	KNEADING TOOL FOR OM 40	58		
2810.00040.49	MIXING TOOL FOR OM 40,	59		
2810.40400.05	TOP COVER FOR OM40	60		
6252.00000.41	MOTOR 1,1 KW 915 D/D THREEPHASE 50 Hz B14 FLANSGED VOLT	61		
2KLP.460.00014042.9.01	BOWL FIXING PIN Q14x42mm	68		
2810.40400.33	LOWER PULLEY FOR OMS40	70		
6261.00026.03	SPRING OUT:Q67 INNER DIA:Q55 WIRE:Q6 LENGTH:105 REVOLUTION: 6	71		
2810.40400.34	VARIATOR UPPER PULLEY FOR OM40	72		
2810.00040.19	BOWL LOCK FOR OM40-60	76		
6211.00207.00	BEARING 6003 ZZ C0	79		
6259.00003.044	CABLE GLAND PG 16	80		
6232.00006.00	SWITCH	81		
6261.00013.27	SAFETY CAGE CIRCULAR PART FOR OM40-60	82		
2810.40400.60	CAGE FOR OM40	83		
6263.00003.10	VARIATOR BELT 32*10*950 VARİBELT	85		
6230.00014.12	MINI CONTACTOR DİLEEM-10 XTMC6A10 3KW MOELLER	86		
6233.00016.12	OVERLOAD 4 2,4-4A MOELLER,	87		
6211.00209.00	BEARING 6006,	89		



Cumhuriyet Mah.Hadımköy Yolu Caddesi No:8 1Nolu Bağımsız Bölüm
Büyüçkekmece İstanbul / TÜRKİYE VD: BüyükMükellefler VKN: 7080013433

Phone.: 00 90 212 8867800

Fax No: 00 90 212 8867809

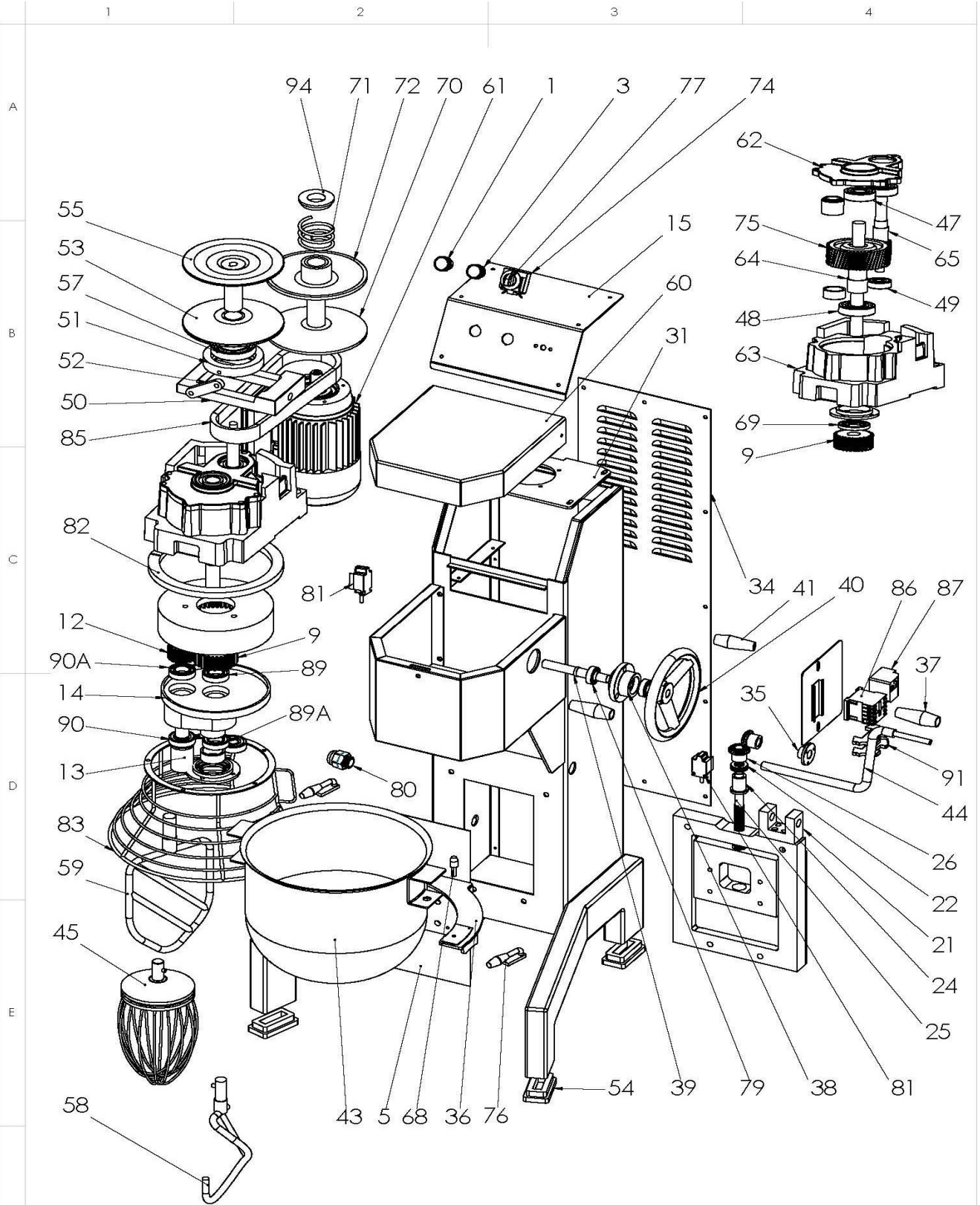
Page 2

0810.00040.03

OMG 40 TF PLANET MIXER 40 LT- GEAR TRANSMISSION

Version No: V12.3

6211.00221.00	BEARING 6205 2RS C0	89A
6261.00018.54	SPUR GEAR FOR OM40-60LT	9
6211.00209.03	BEARING 6006 2RS C3	90
6211.00221.01	BEARING 6205,	90A
6248.00009.00	TERMINAL STRIPS WGT-4 (EARTH)	91
2KLP.460.00630012.9.02	THRUST WASHER FOR OM 40	94
6260.00065.00	COVER KNOB	HND6
6259.00002.06	TIMER KNOB	KB3
6259.00002.05	TIMER 0-90 MIN	TCK1
6248.00022.00	TERMINAL RAIL(ST)	TRN1



F	R&D	İSİM	İMZA	TARİH	MATERIAL	TOLERANS
	ÇİZEN	A.YILMAZ		12.02.2016		DIN 7168 ORTA
	KONTROL	M.HACI		12.02.2016		
	ONAY	M.HACI		12.02.2016	KALINLIK	REVİZYON
	RESİM ÜZERİNDEN ÖLÇÜ ALMAYINIZ!	ÖLÇÜLER mm CİNSİNDEN DİR			AĞIRLIK (gr.)	ÖLÇEK

öztiryakiler

PARÇA ADI: MİKSER 40 LT TRIFAZE CE SANZUMANLI
0810.00040.03